



US00D690277S

(12) **United States Design Patent**
Matsuhisa et al.

(10) **Patent No.:** **US D690,277 S**

(45) **Date of Patent:** **** *Sep. 24, 2013**

(54) **ELECTROLUMINESCENCE MODULE**

(75) Inventors: **Yuko Matsuhisa**, Osaka (JP); **Takao Miyai**, Hirakata (JP); **Hiroyuki Sasaki**, Katano (JP); **Koki Fujihara**, Tsubame (JP); **Takeo Shirai**, Osaka (JP); **Shingo Houzumi**, Himeji (JP)

(73) Assignee: **Panasonic Corporation**, Kadoma-shi (JP)

(*) Notice: This patent is subject to a terminal disclaimer.

(**) Term: **14 Years**

(21) Appl. No.: **29/401,110**

(22) Filed: **Sep. 7, 2011**

(51) **LOC (9) Cl.** **13-03**

(52) **U.S. Cl.**
USPC **D13/180**; D13/182

(58) **Field of Classification Search**
USPC D13/180, 182; 174/254; 257/40, 257/66, 72, 79; 313/483, 494, 504, 506, 313/512; 315/169.3; 345/76, 82; 445/25; 428/690; 438/99, 460; 427/66
See application file for complete search history.

(56) **References Cited**

U.S. PATENT DOCUMENTS

7,741,135 B2 * 6/2010 Lee 438/30
D632,657 S * 2/2011 Fujihara et al. D13/180

D633,054 S * 2/2011 Fujihara et al. D13/180
D633,055 S * 2/2011 Fujihara et al. D13/180
D633,056 S * 2/2011 Fujihara et al. D13/180
D633,057 S * 2/2011 Fujihara et al. D13/180
D633,450 S * 3/2011 Fujihara et al. D13/180
D633,451 S * 3/2011 Fujihara et al. D13/180
8,030,845 B2 * 10/2011 Itai 313/512
2001/0019245 A1 * 9/2001 Ohshita et al. 313/506
2004/0051449 A1 * 3/2004 Klausmann et al. 313/512
2008/0303408 A1 * 12/2008 Yamazaki et al. 313/498

* cited by examiner

Primary Examiner — Selina Sikder

(74) *Attorney, Agent, or Firm* — Marvin A. Motsenbocker; Motts Law, PLLC

(57) **CLAIM**

The ornamental design for an electroluminescence module, as shown and described.

DESCRIPTION

FIG. 1 is a front perspective view of an electroluminescence module;

FIG. 2 is a front view thereof;

FIG. 3 is a left side view thereof;

FIG. 4 is a top plan view thereof;

FIG. 5 is a rear view thereof;

FIG. 6 is a reference view thereof, in which hatching indicates transparent portions; and,

FIG. 7 is a reference view thereof, in which portions other than hatched area indicate mirror-finished portions.

A right side view of the electroluminescence module is a mirror image of the left side view shown in FIG. 3, and therefore omitted.

1 Claim, 7 Drawing Sheets

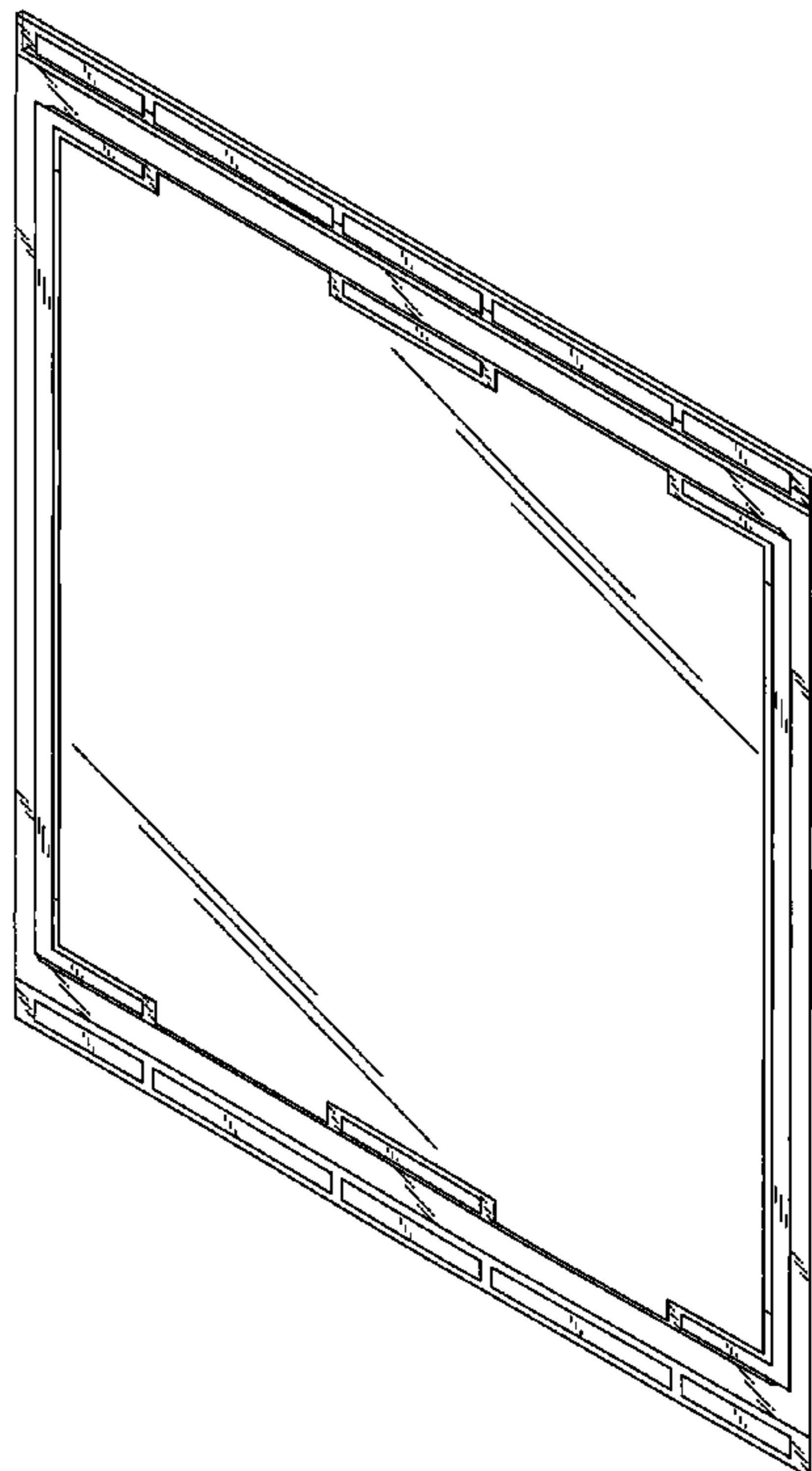


Fig.1

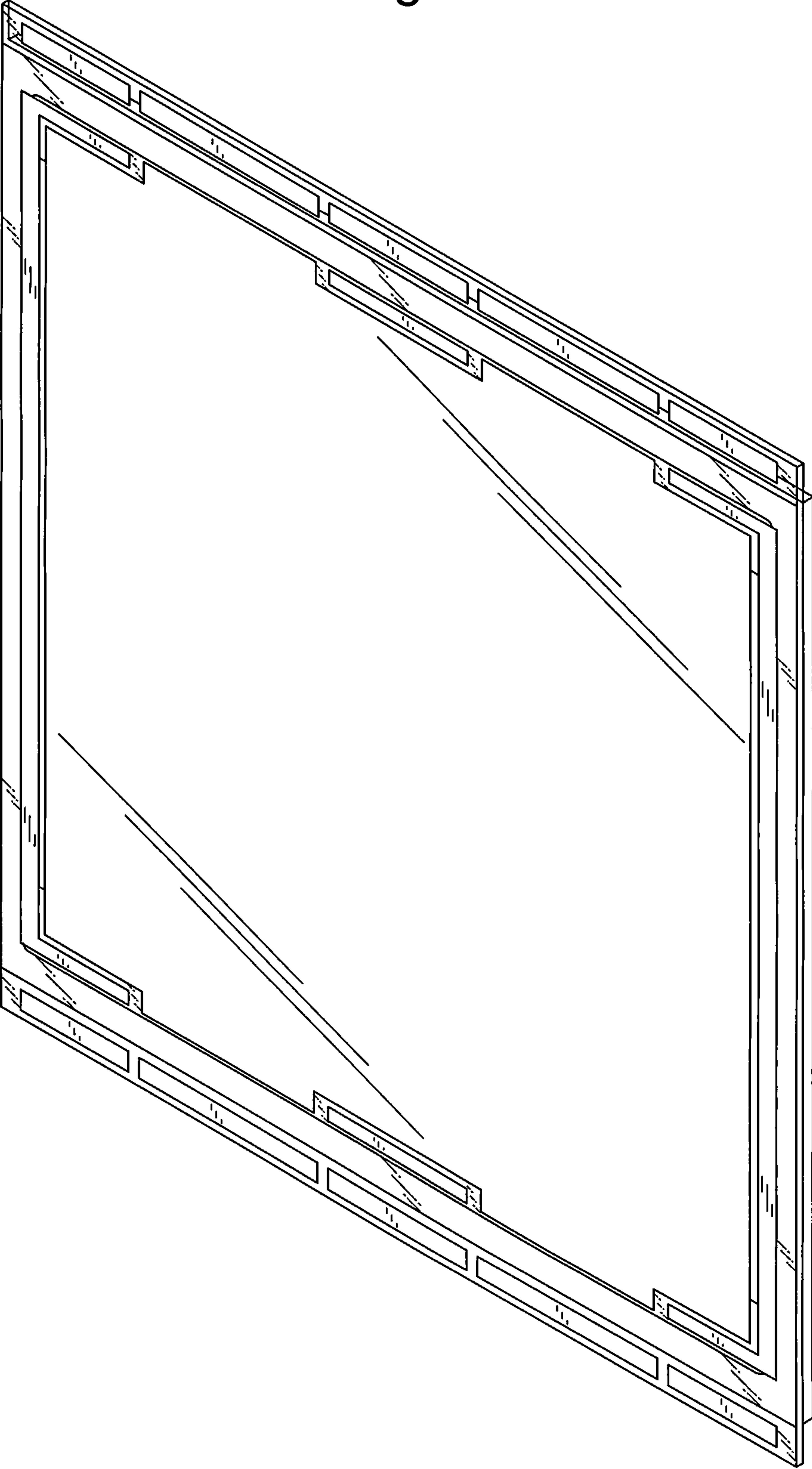


Fig.2

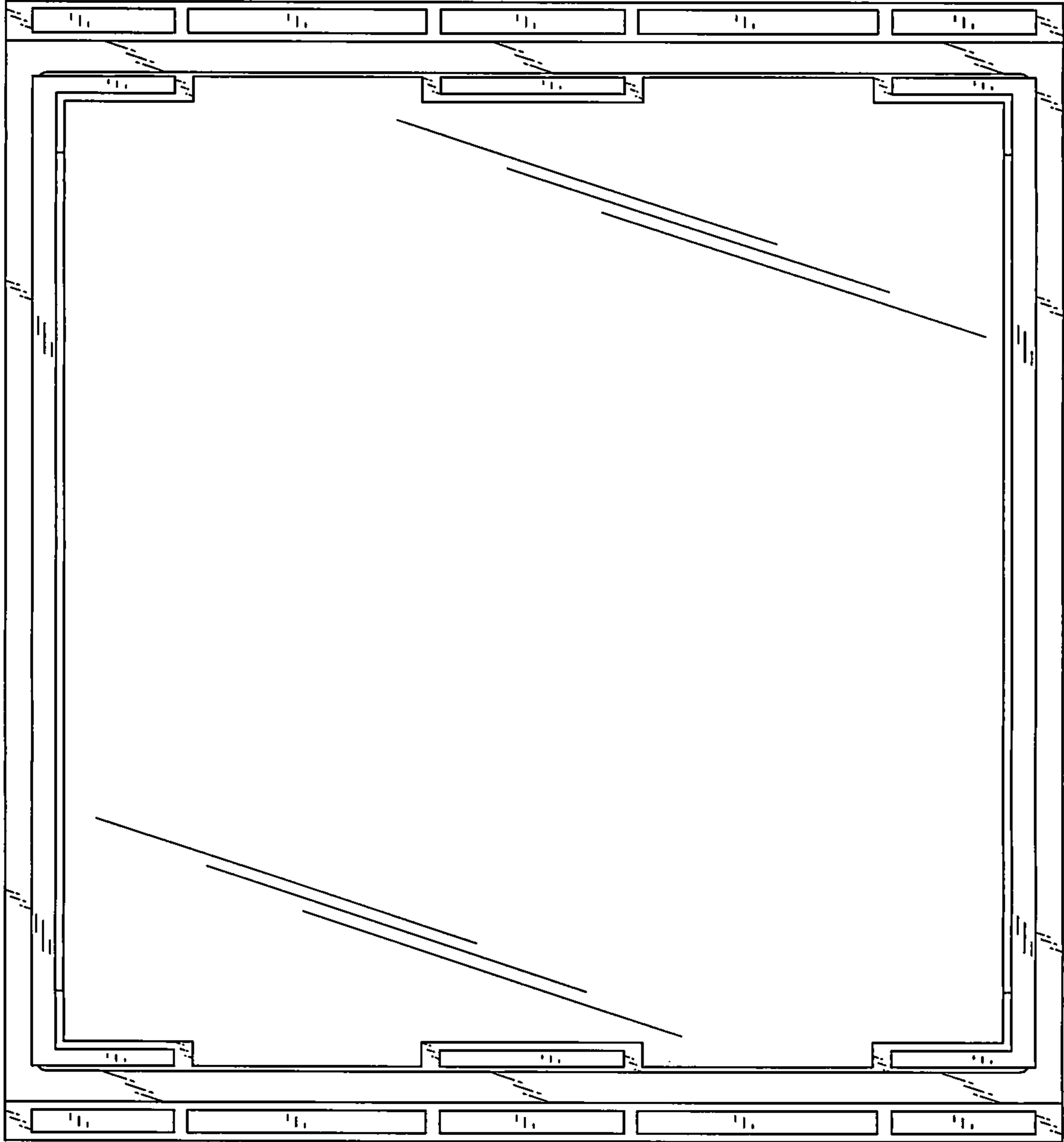


Fig.3



Fig.4

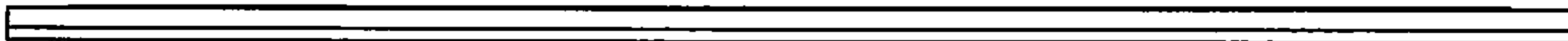


Fig.5

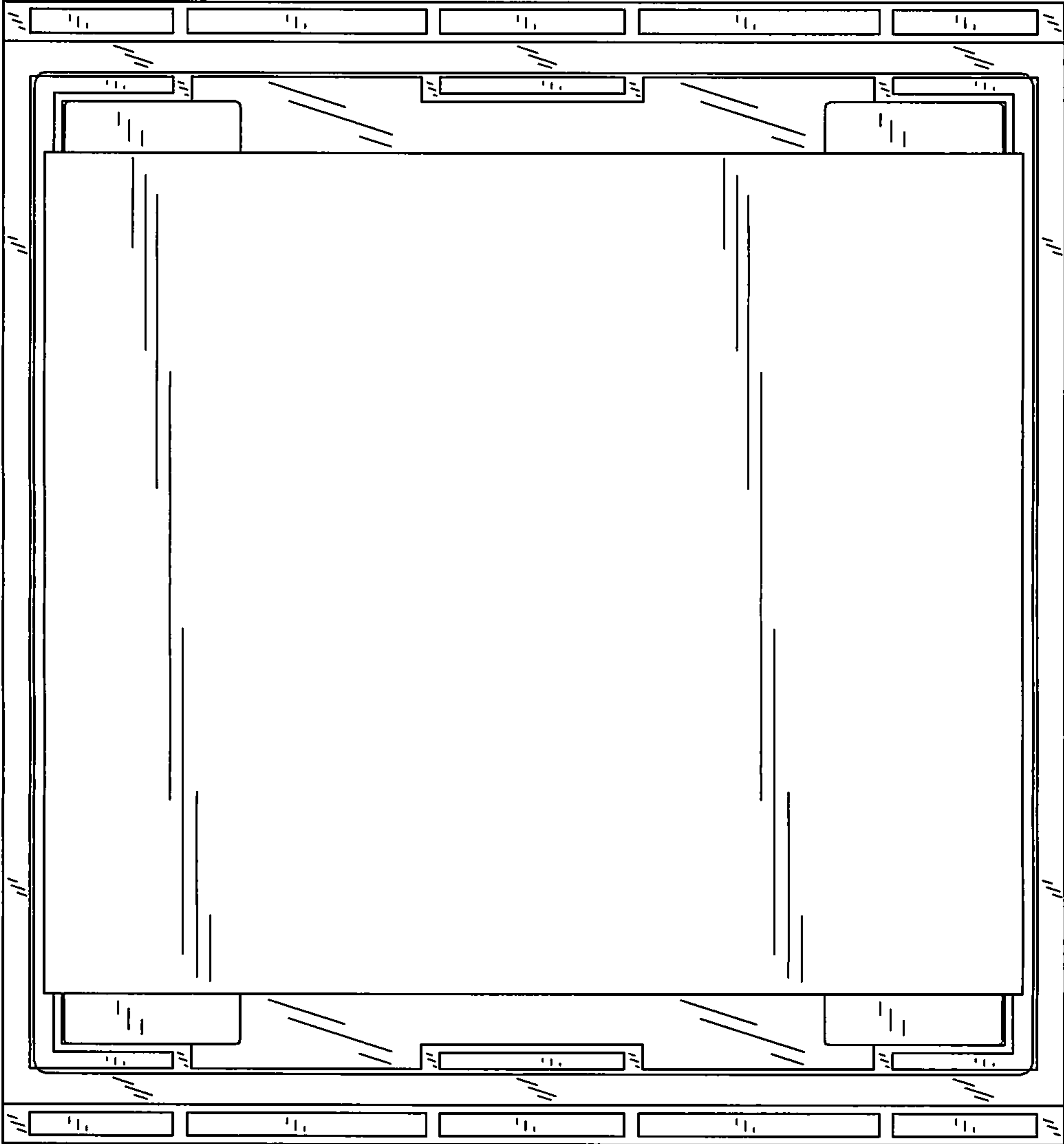


Fig.6

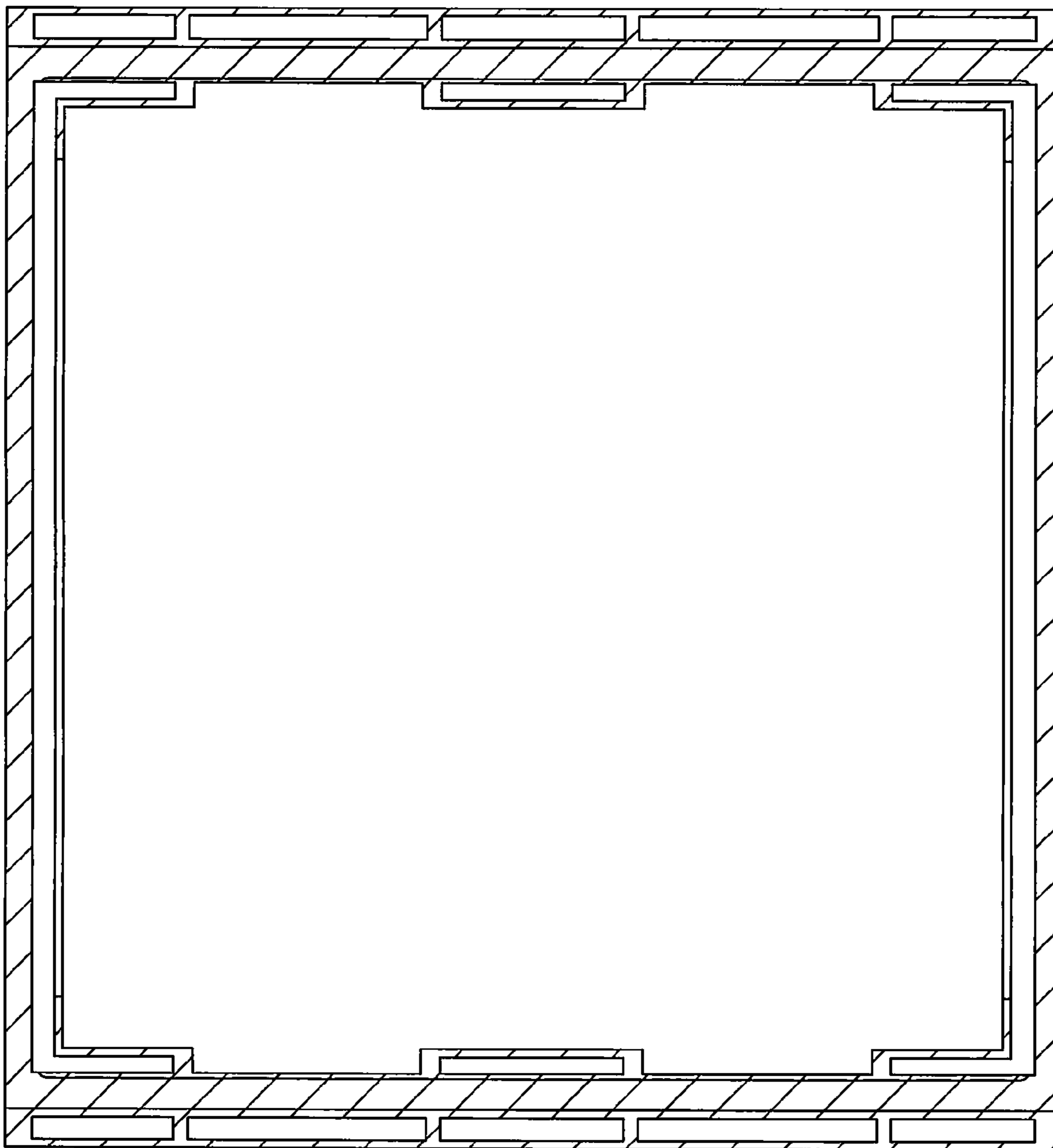


Fig.7

