



US00D690276S

(12) **United States Design Patent**
Shaw et al.

(10) **Patent No.:** **US D690,276 S**
(45) **Date of Patent:** **** Sep. 24, 2013**

(54) **ELECTROMAGNETIC INTERFERENCE SHIELD**

(71) Applicant: **Hewlett-Packard Development Company, L.P.**, Fort Collins, CO (US)

(72) Inventors: **Richard William Shaw**, Magnolia, TX (US); **Richard R Gevehausen**, Cypress, TX (US); **Li Tien Chang**, Taipei (TW); **Aiken Lin**, New Taipei (TW); **Jason Chang**, New Taipei (TW); **Chih Liang Li**, Yilan (TW)

(73) Assignee: **Hewlett-Packard Development Company, L.P.**, Houston, TX (US)

(**) Term: **14 Years**

(21) Appl. No.: **29/433,695**

(22) Filed: **Oct. 3, 2012**

(51) **LOC (9) Cl.** **13-03**

(52) **U.S. Cl.**
USPC **D13/178**

(58) **Field of Classification Search**
USPC D13/117, 120, 121, 129, 158, 160, D13/162, 177, 178–181, 183, 184, 199; 361/704, 707, 714, 715, 719, 720, 800, 816, 361/818; 174/359, 365, 366, 372, 377, 382, 174/383, 387, 388

See application file for complete search history.

(56) **References Cited**

U.S. PATENT DOCUMENTS

5,838,550 A * 11/1998 Morris et al. 361/818
6,008,990 A * 12/1999 Liu 361/704

6,346,672	B1 *	2/2002	Horng	174/359
6,566,597	B2 *	5/2003	Lee et al.	174/366
6,661,676	B1 *	12/2003	Chen	361/816
6,671,183	B2 *	12/2003	Tsuzuki	361/797
6,711,019	B2 *	3/2004	Manabe et al.	361/704
6,776,625	B2 *	8/2004	Ma	439/73
7,005,738	B2 *	2/2006	Zuo et al.	257/714
7,170,014	B1 *	1/2007	Liang	174/383
7,436,661	B2 *	10/2008	Fong et al.	361/695
D580,376	S *	11/2008	Yen et al.	D13/180
7,529,092	B2 *	5/2009	Testin et al.	361/704
7,697,296	B2 *	4/2010	Floyd et al.	361/719
8,059,410	B2 *	11/2011	Chen et al.	361/719

* cited by examiner

Primary Examiner — Derrick Holland
Assistant Examiner — Lauren Calve

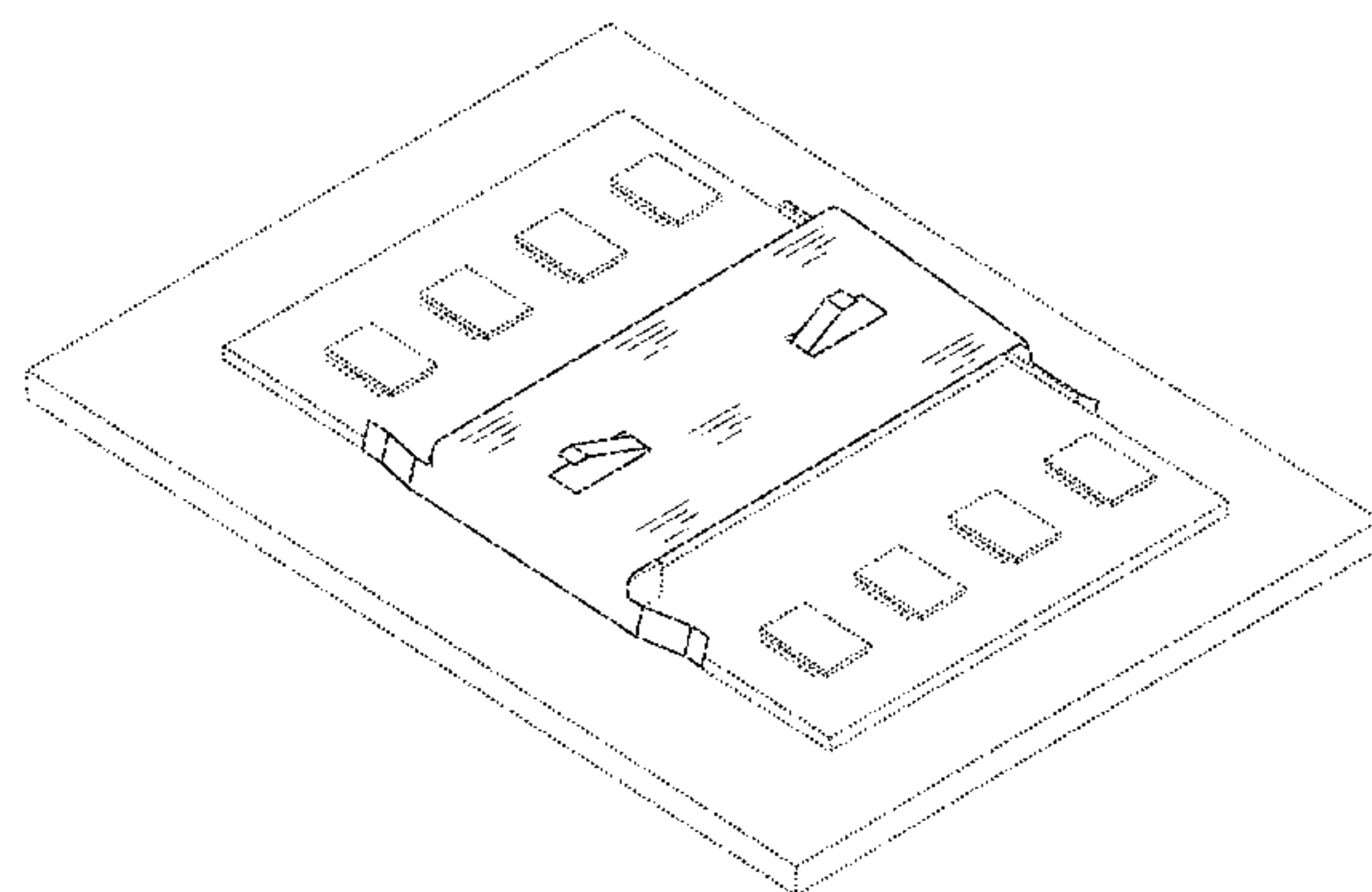
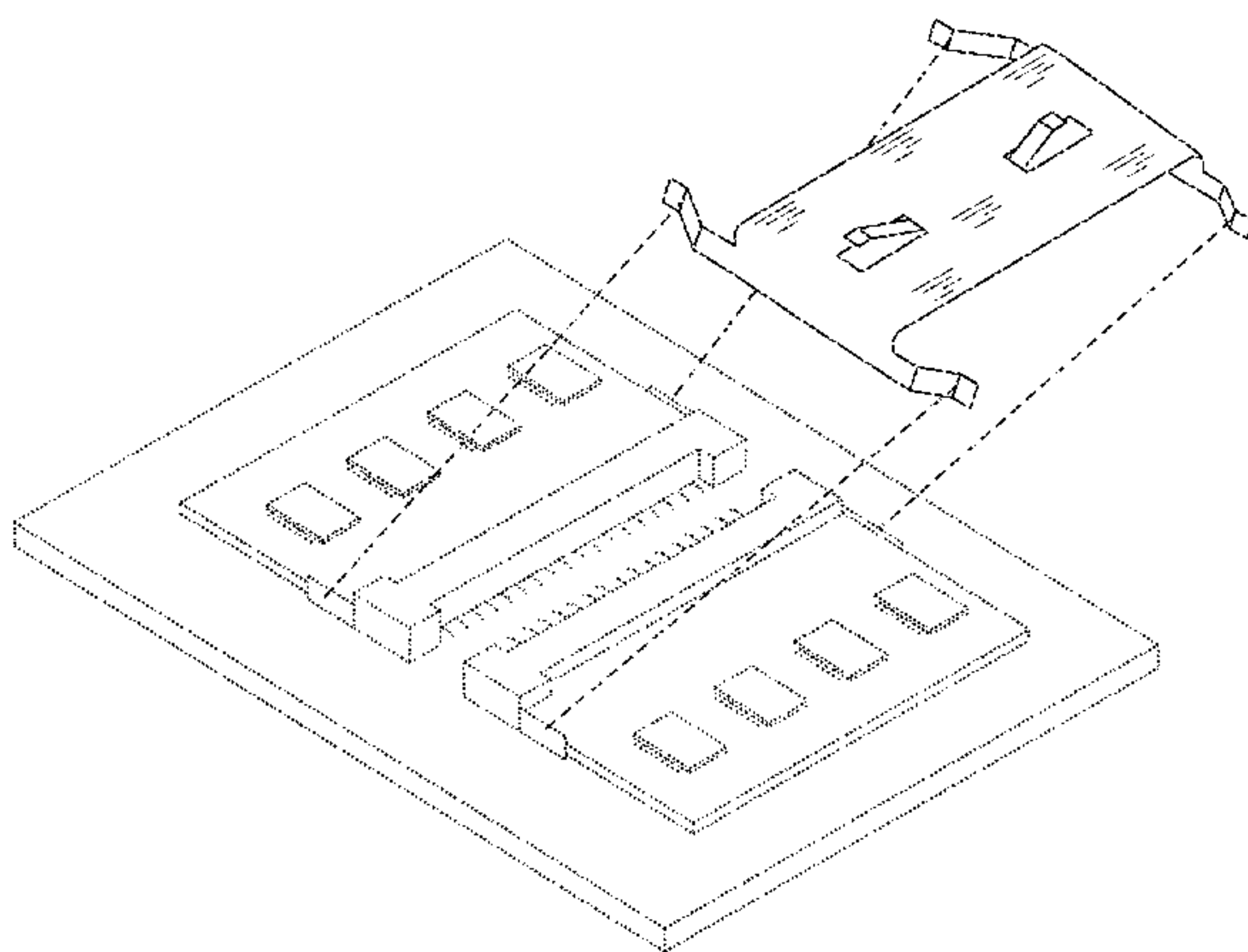
(57) **CLAIM**

The ornamental design for an electromagnetic interference shield, as shown and described.

DESCRIPTION

FIG. 1 is an exploded side perspective view of an electromagnetic interference shield of the present invention; FIG. 2 is a side perspective view of the electromagnetic interference shield; FIG. 3 is a top view of the electromagnetic interference shield; and, FIG. 4 is a bottom view of the electromagnetic interference shield. The broken line showing in FIGS. 1 and 2 represents unclaimed subject matter and forms no part of the claimed design.

1 Claim, 4 Drawing Sheets



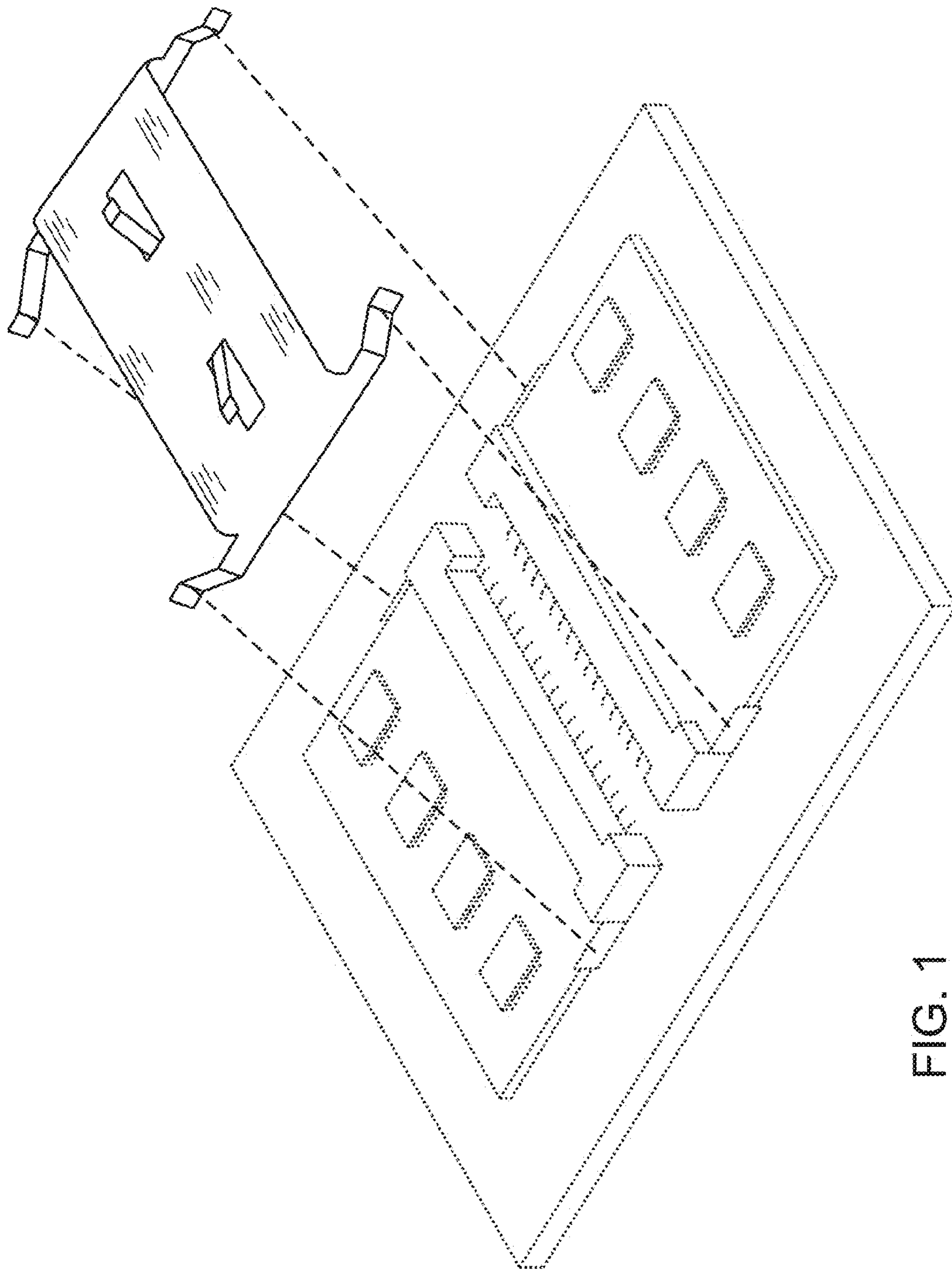


FIG. 1

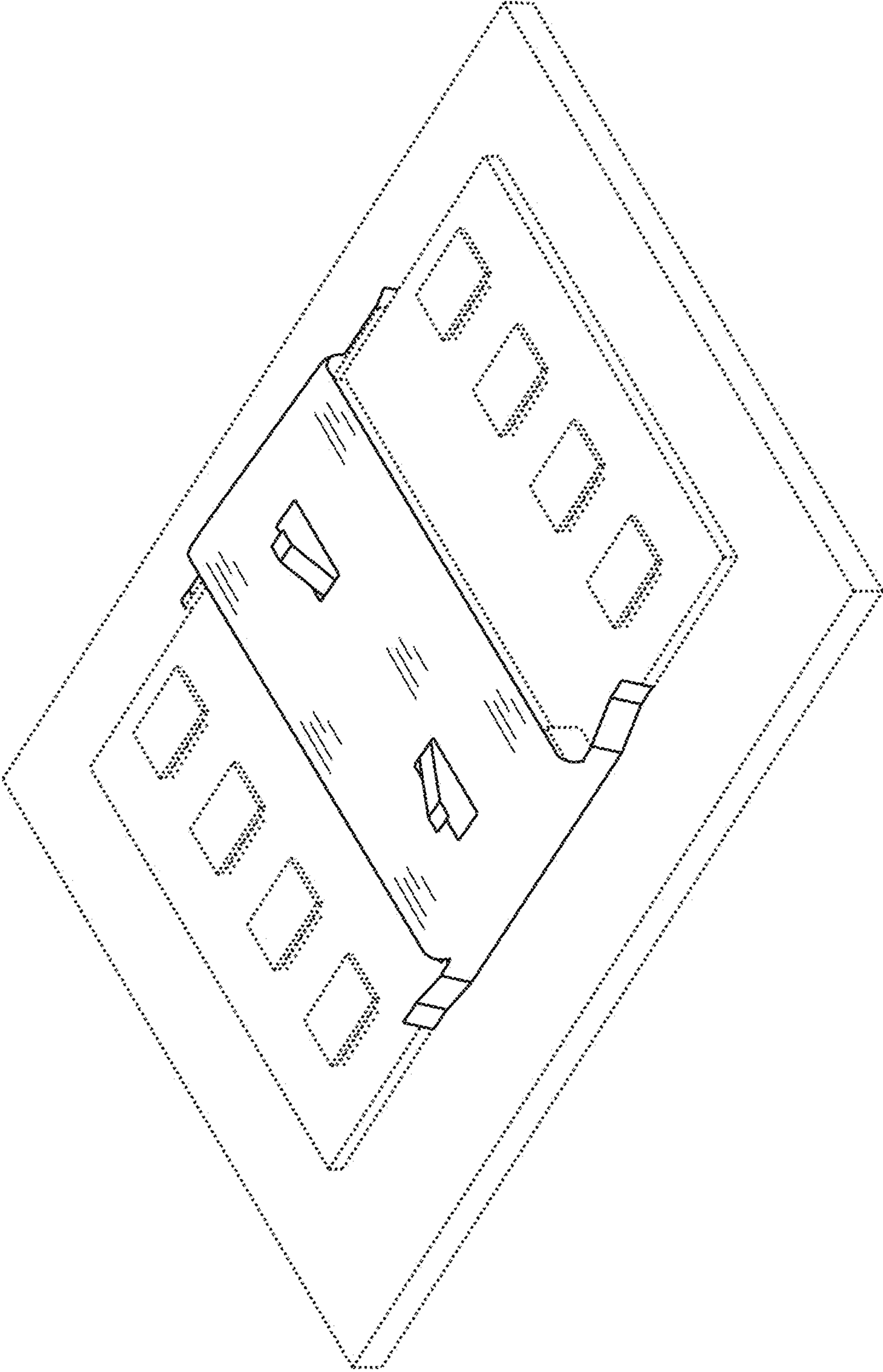


FIG. 2

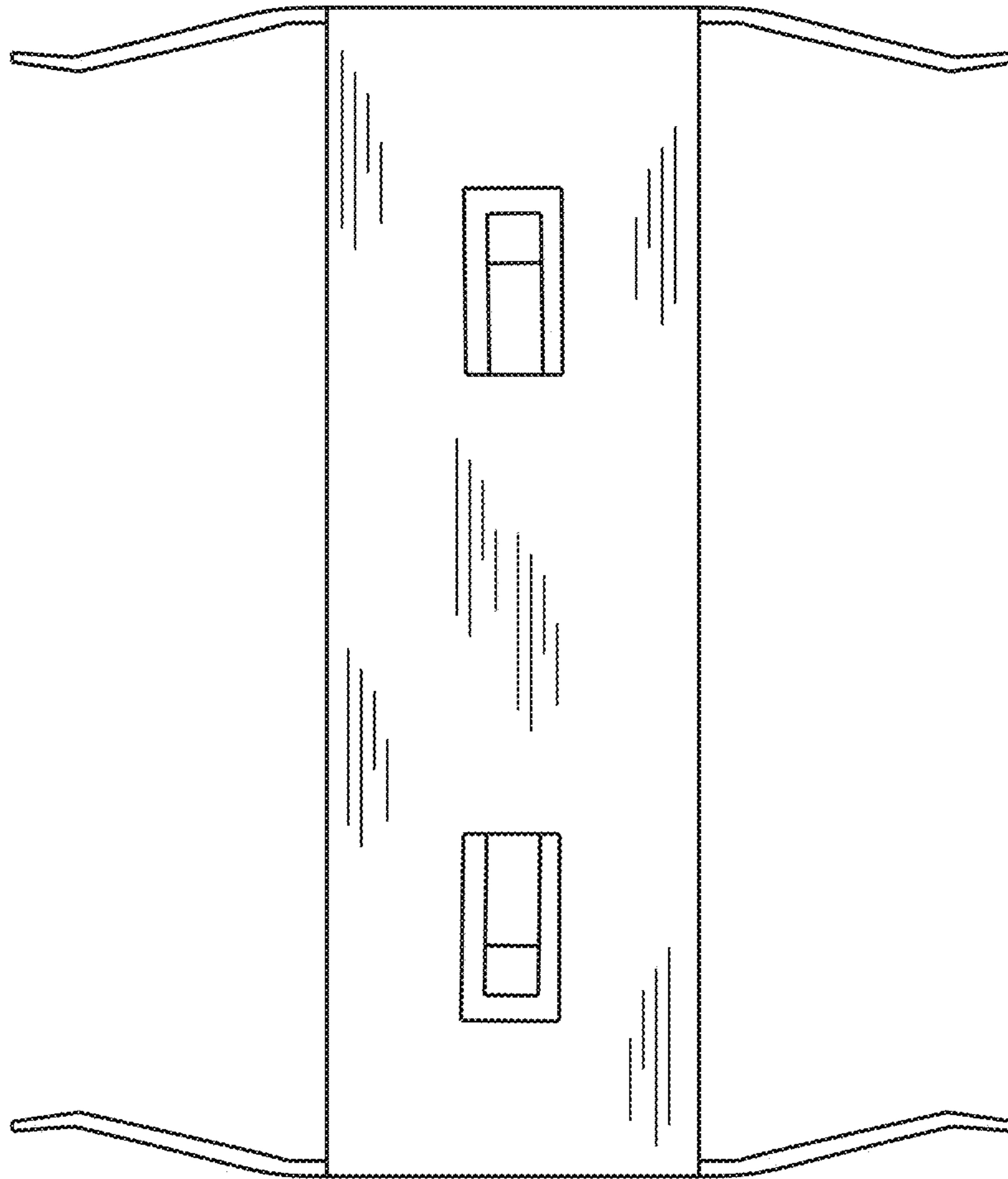


FIG. 3

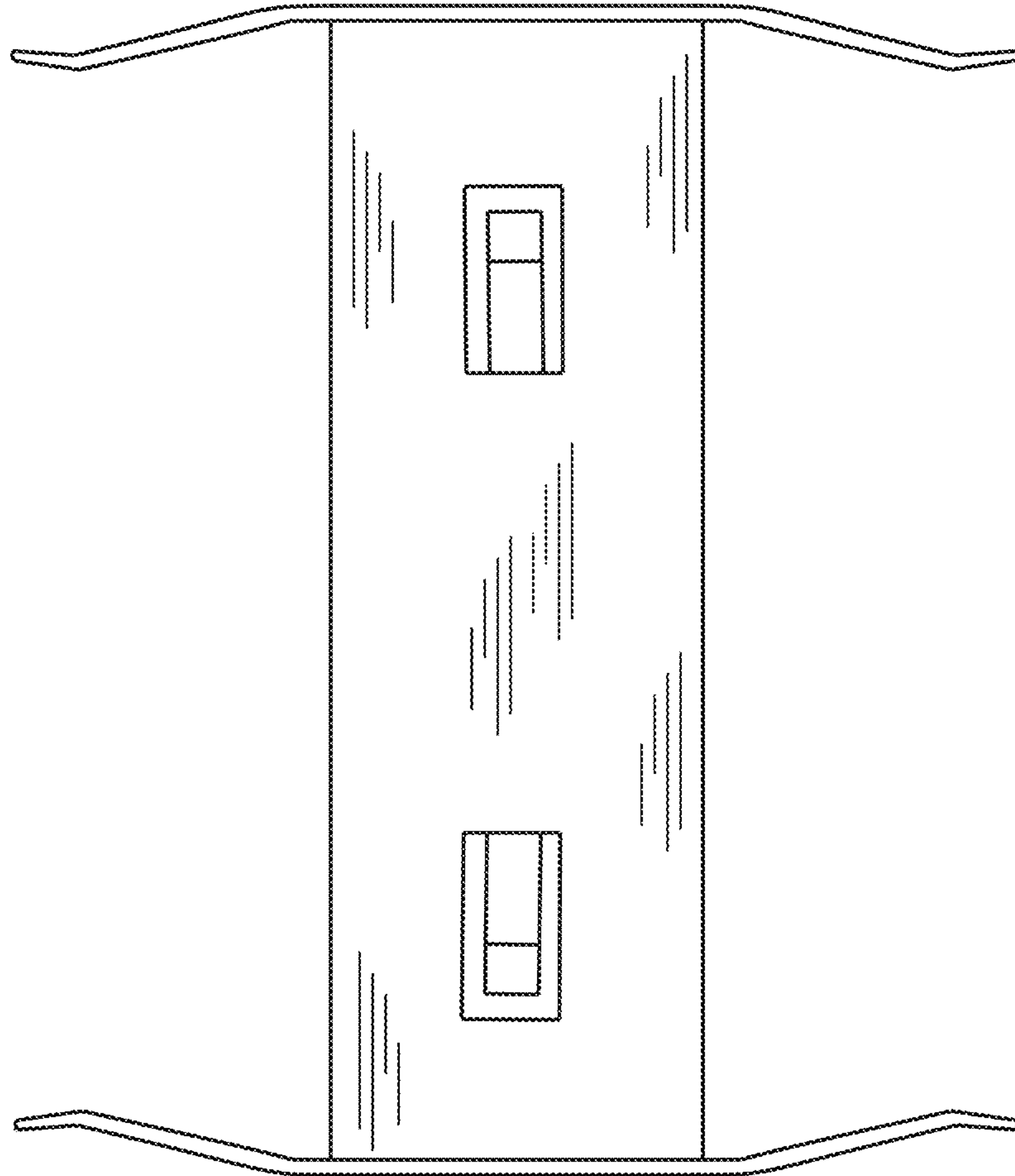


FIG. 4