



US00D690274S

(12) **United States Design Patent**
Greaney

(10) **Patent No.:** **US D690,274 S**
(45) **Date of Patent:** **** Sep. 24, 2013**

- (54) **WEATHERPROOF ELECTRICAL OUTLET COVER**
- (75) Inventor: **Andrew Greaney**, Buffalo Grove, IL (US)
- (73) Assignee: **Intermatic Corporation**, Spring Grove, IL (US)
- (**) Term: **14 Years**
- (21) Appl. No.: **29/412,190**
- (22) Filed: **Jan. 31, 2012**
- (51) **LOC (9) Cl.** **13-03**
- (52) **U.S. Cl.**
USPC **D13/156**
- (58) **Field of Classification Search**
USPC D13/152, 156, 184, 199; 439/135-138, 439/142, 367, 373, 535-537, 541, 892, 938; 174/50, 50.52, 50.53, 53-60, 66-67, 521; 220/3.2, 3.3, 3.7, 3.8, 3.9, 3.94, 4.02, 241-244; D9/432, 434, 436
See application file for complete search history.

7,087,837	B1 *	8/2006	Gretz	174/58
7,115,820	B1 *	10/2006	Gretz	174/481
7,241,952	B2 *	7/2007	Dinh	174/67
7,259,328	B1 *	8/2007	Gretz	174/57
7,374,058	B2 *	5/2008	Dinh et al.	220/3.8
7,396,997	B2 *	7/2008	Dinh	174/67
7,626,121	B1 *	12/2009	Cleghorn	174/66
7,763,799	B2 *	7/2010	Johnson	174/67
7,935,889	B1 *	5/2011	Cleghorn	174/66

* cited by examiner

Primary Examiner — Derrick Holland

Assistant Examiner — Lauren Calve

(74) *Attorney, Agent, or Firm* — Brinks Hofer Gilson & Lione

(57) **CLAIM**

I claim the ornamental design for a weatherproof electrical outlet cover, as shown and described.

DESCRIPTION

FIG. 1 is a front perspective view of a weatherproof electrical outlet cover showing an exemplary embodiment of my new design;

FIG. 2 is a rear perspective view thereof;

FIG. 3 is a left side view thereof;

FIG. 4 is a right side view thereof;

FIG. 5 is a front view thereof;

FIG. 6 is a top view thereof;

FIG. 7 is a bottom view thereof;

FIG. 8 is a front perspective view of the weatherproof electrical outlet cover of FIG. 1 in an open configuration;

FIG. 9 is a rear perspective view thereof;

FIG. 10 is a left side view thereof; and,

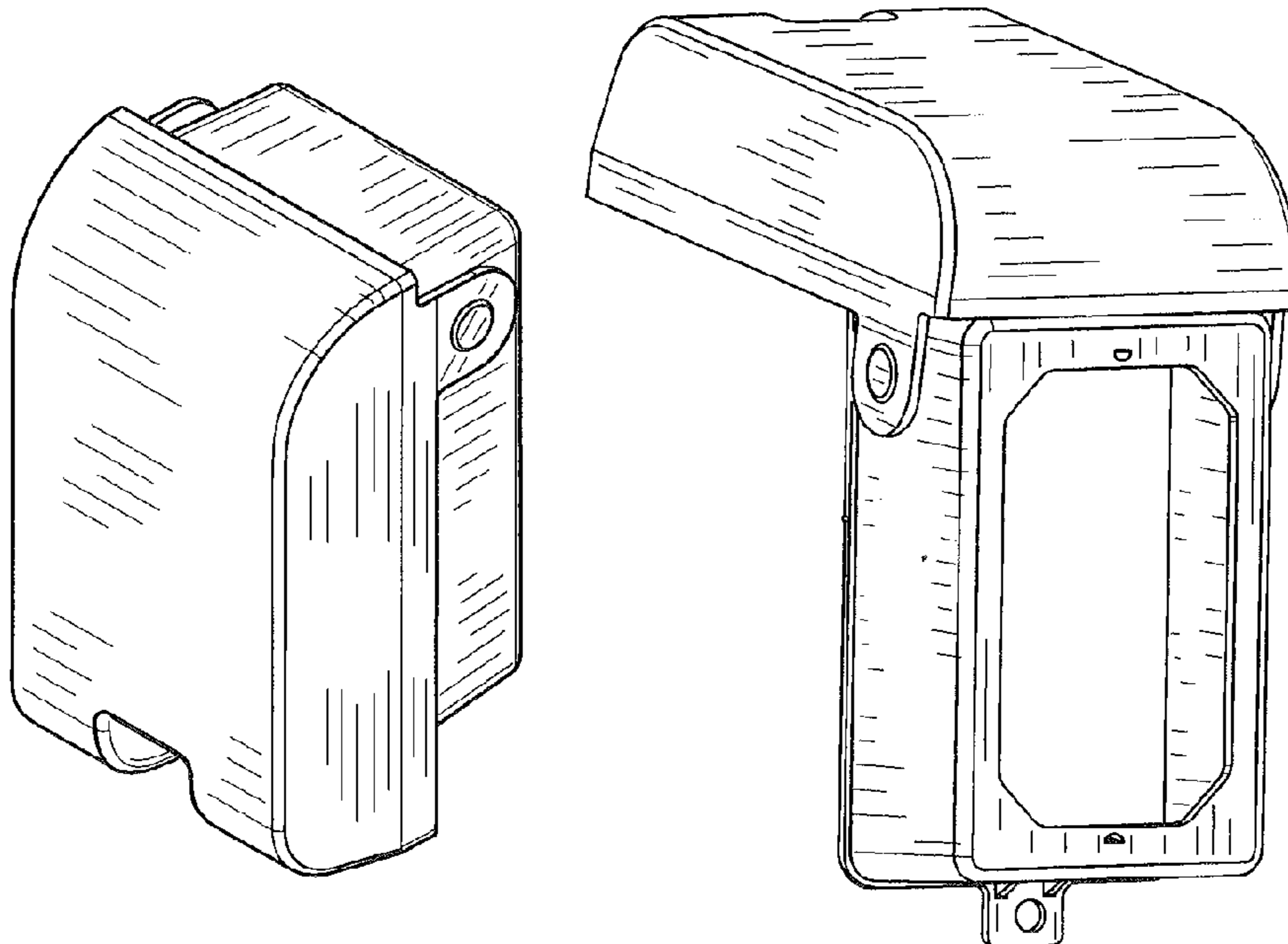
FIG. 11 is a right side view thereof.

1 Claim, 5 Drawing Sheets

(56) **References Cited**

U.S. PATENT DOCUMENTS

3,140,344	A	7/1964	Slater	
4,033,156	A *	7/1977	Cottingham 70/56
4,086,686	A	5/1978	Takabayashi	
4,835,343	A *	5/1989	Graef et al. 174/66
4,865,557	A *	9/1989	Kershaw 439/133
5,243,135	A *	9/1993	Shotey 174/67
5,605,466	A	2/1997	Devlin	
6,028,268	A *	2/2000	Stark et al. 174/67
6,140,572	A *	10/2000	Book 174/17 CT
6,806,426	B1	10/2004	Gretz	
6,810,562	B1	11/2004	Horne	



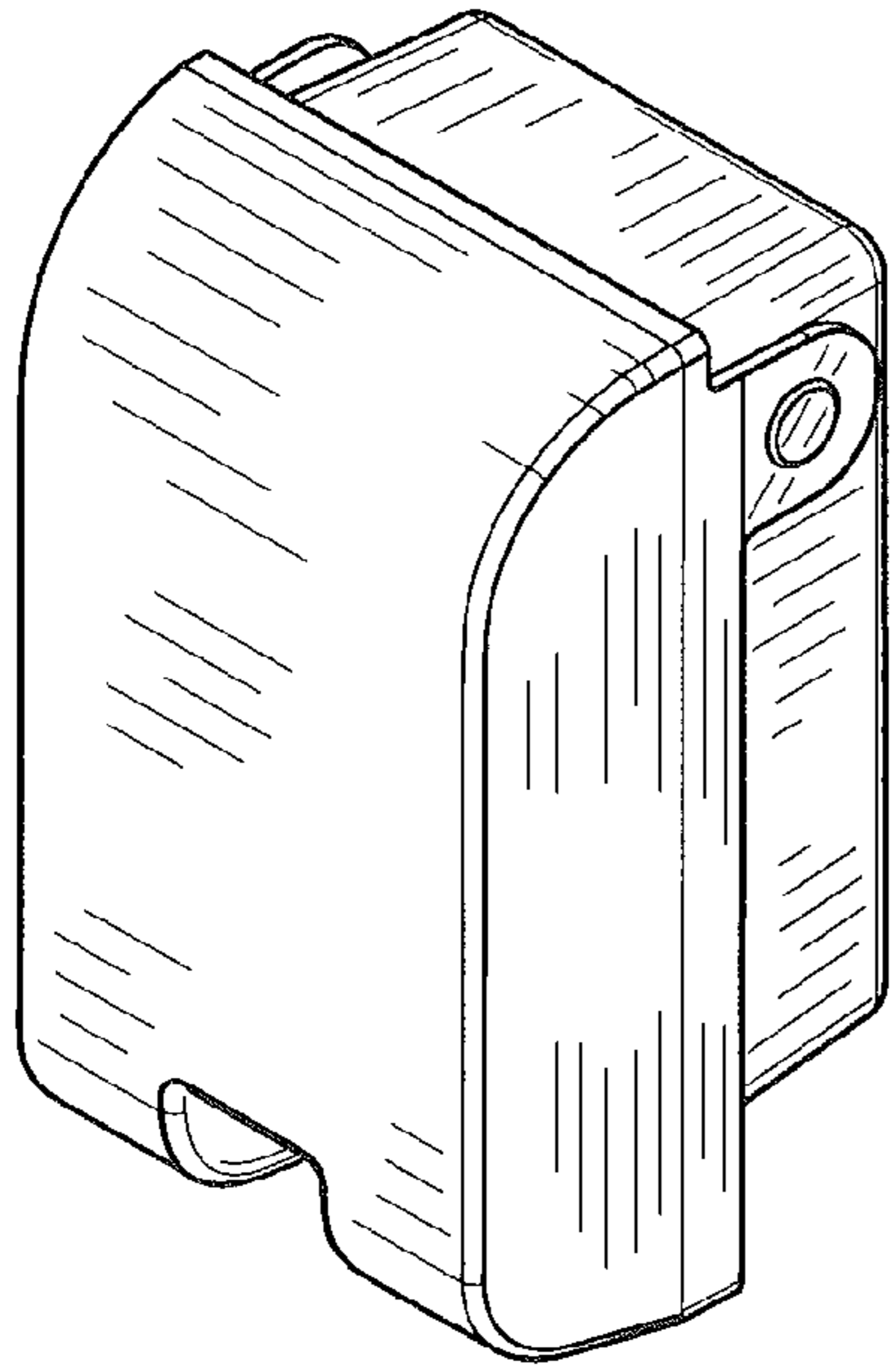


Fig. 1

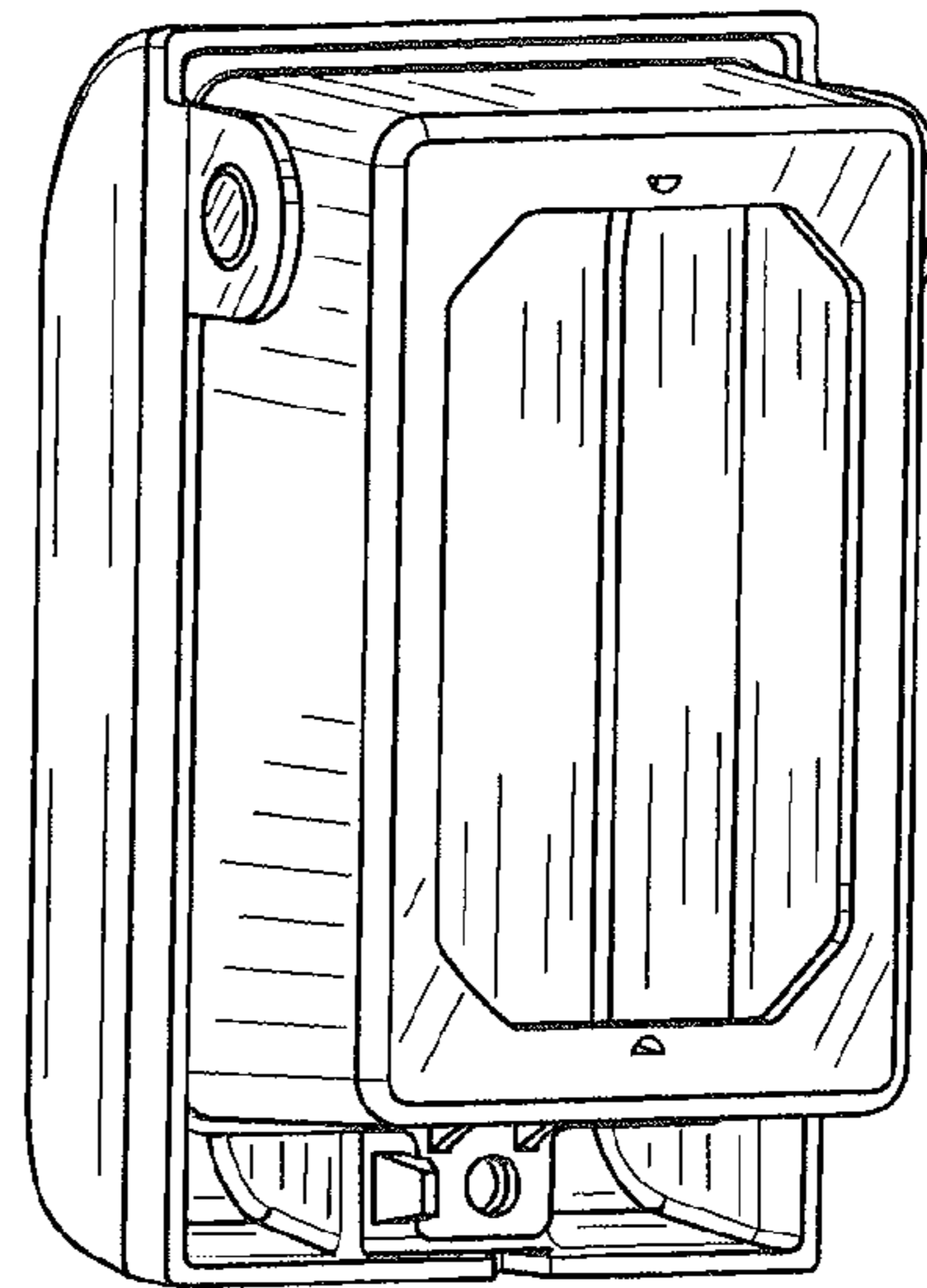


Fig. 2

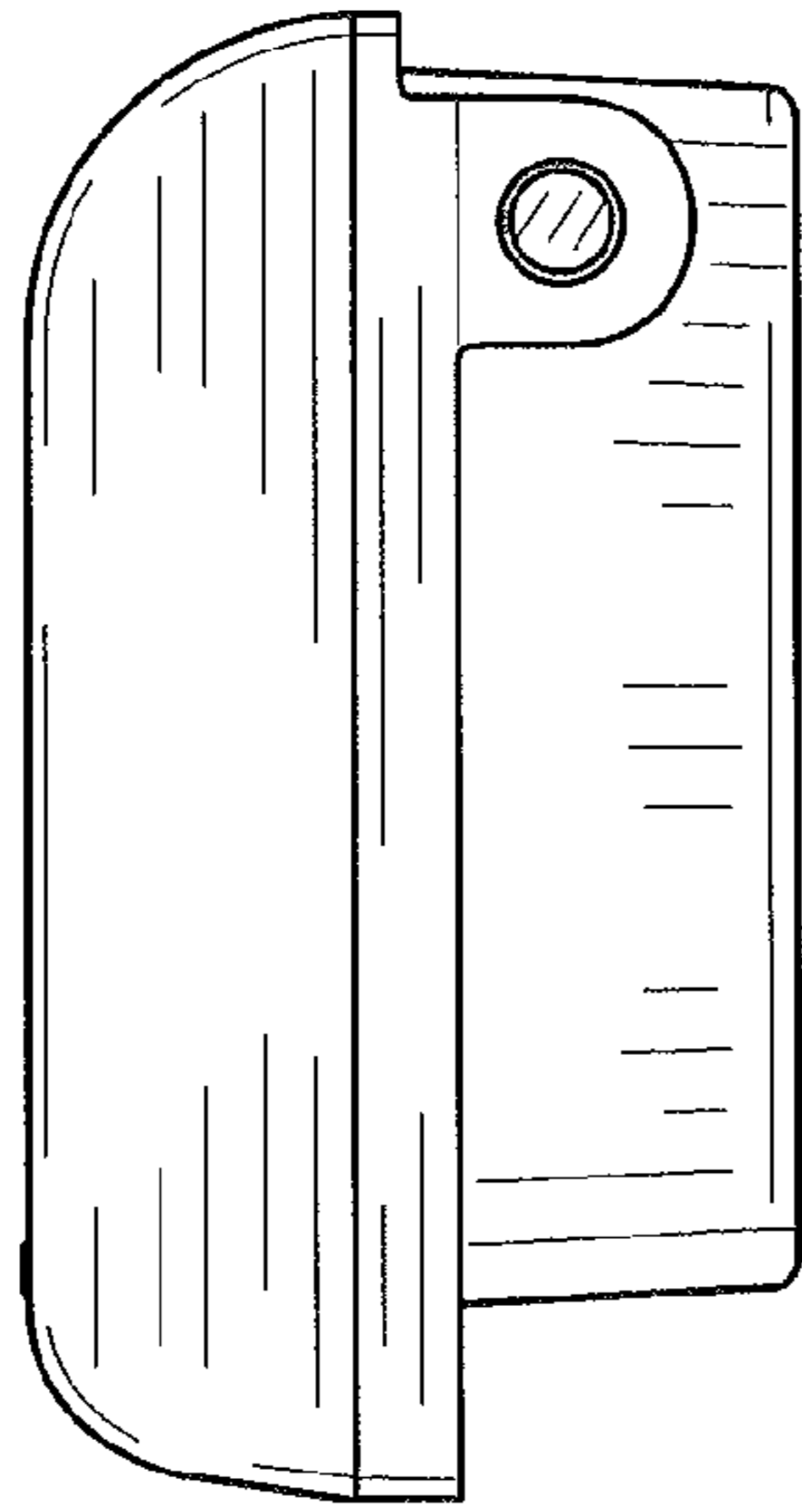


Fig. 3

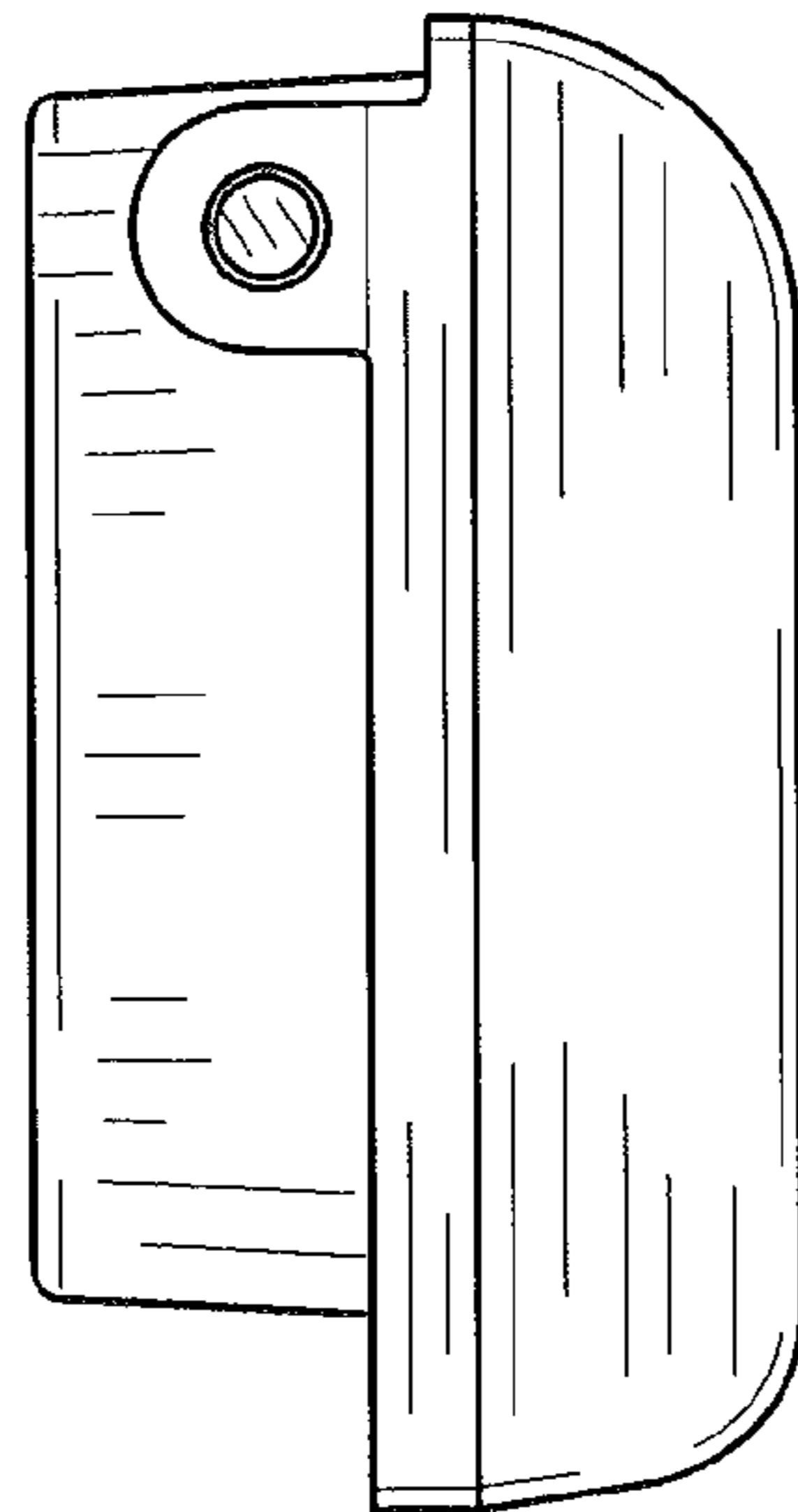


Fig. 4

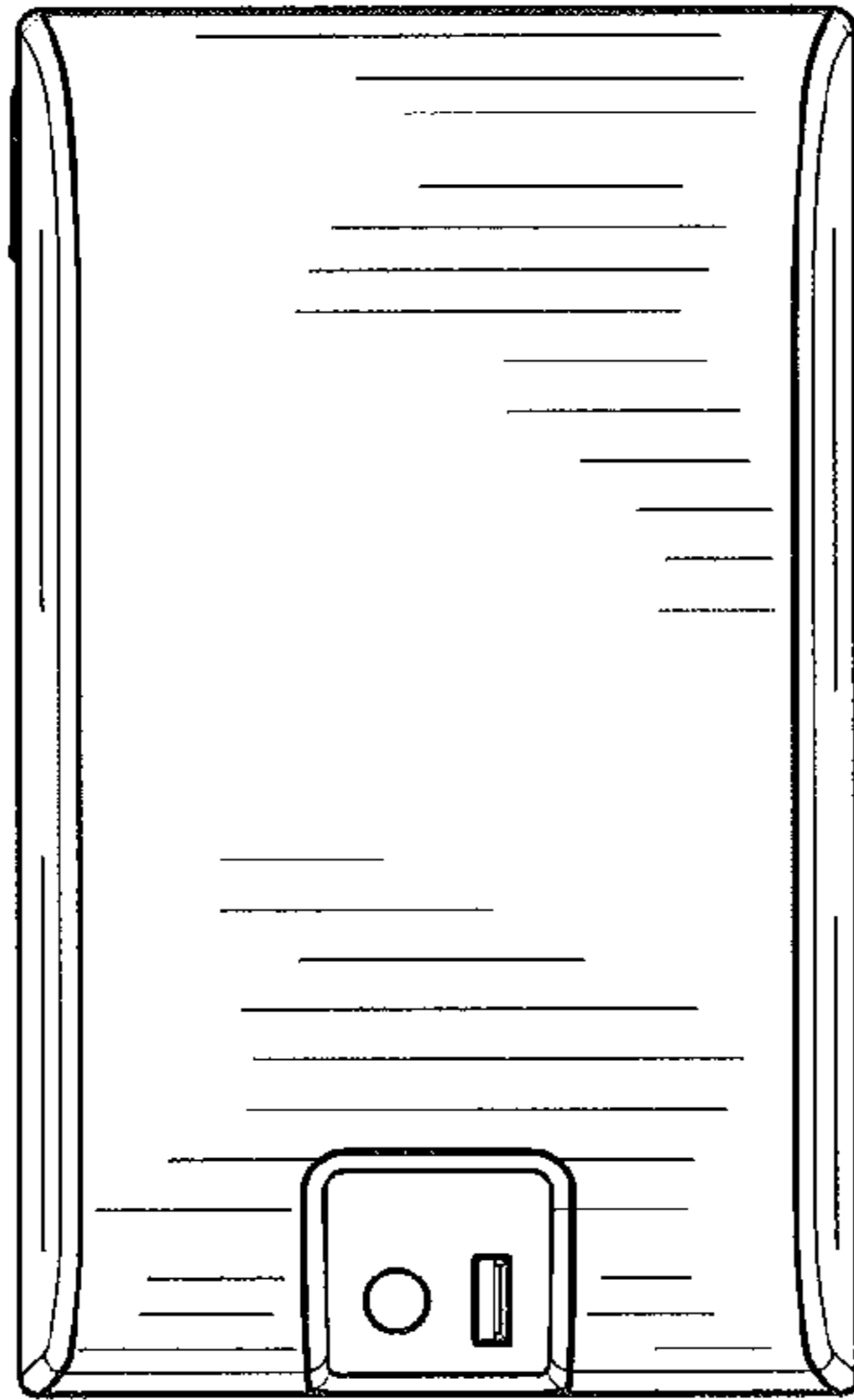


Fig. 5

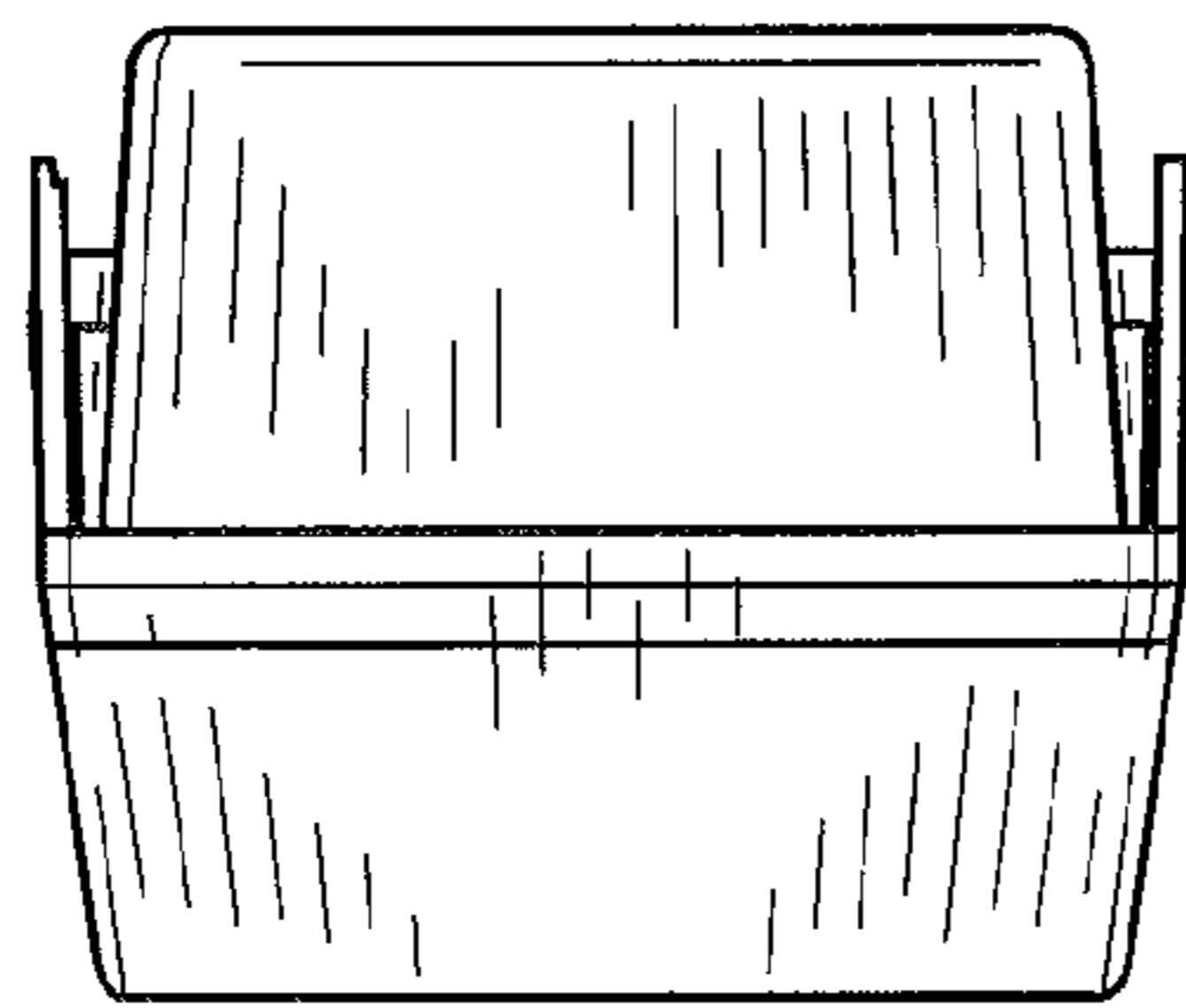


Fig. 6

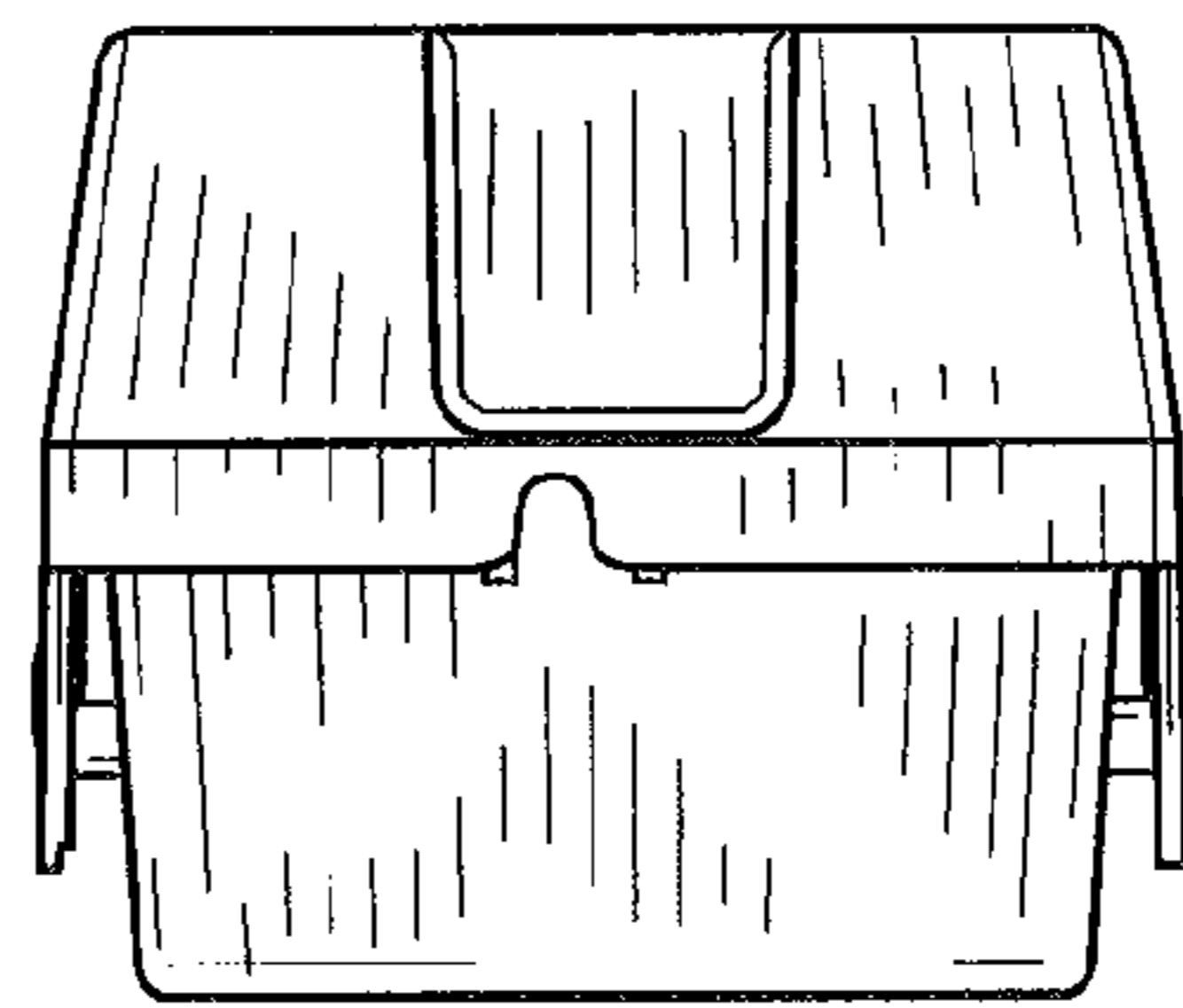


Fig. 7

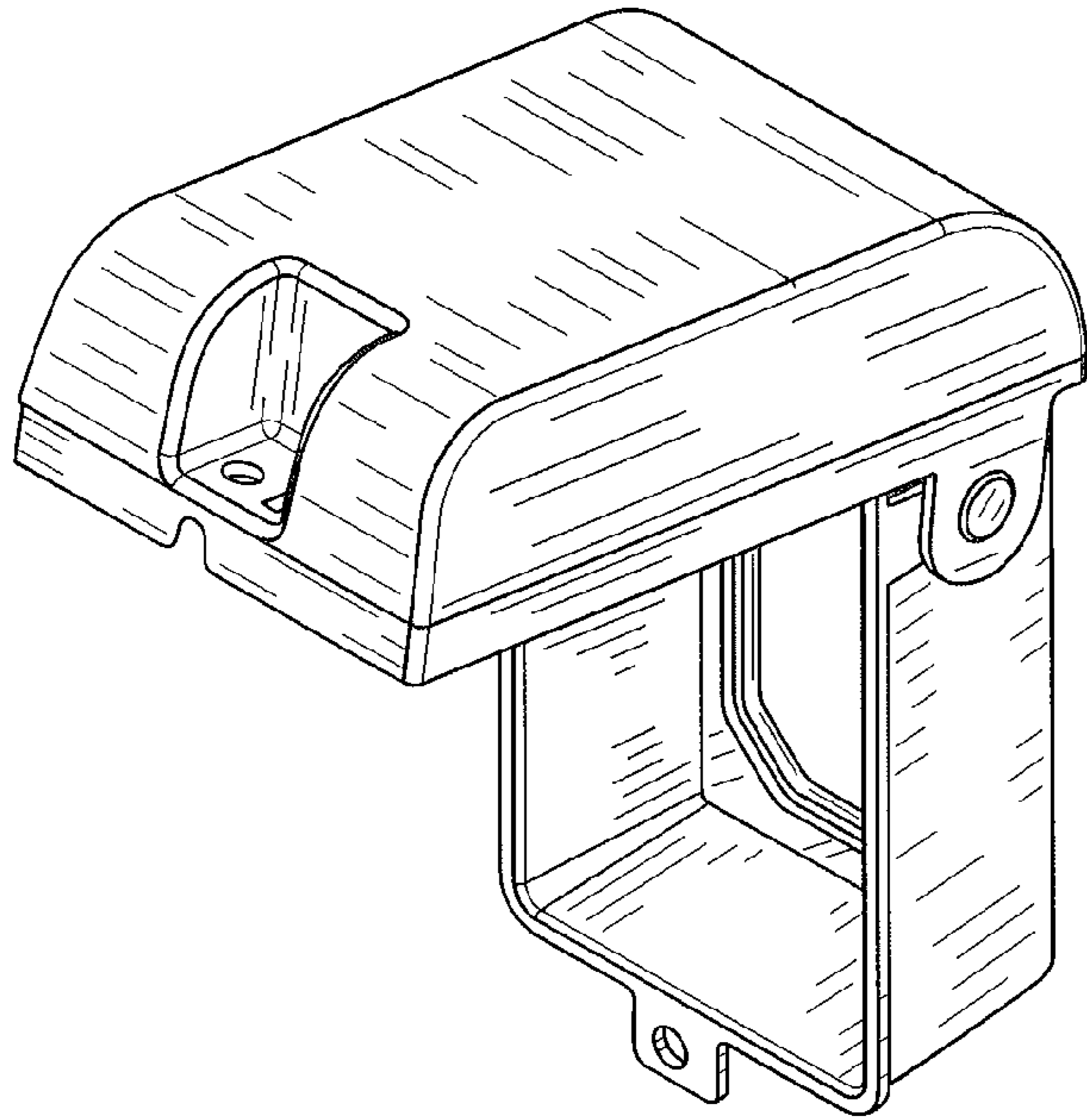


Fig. 8

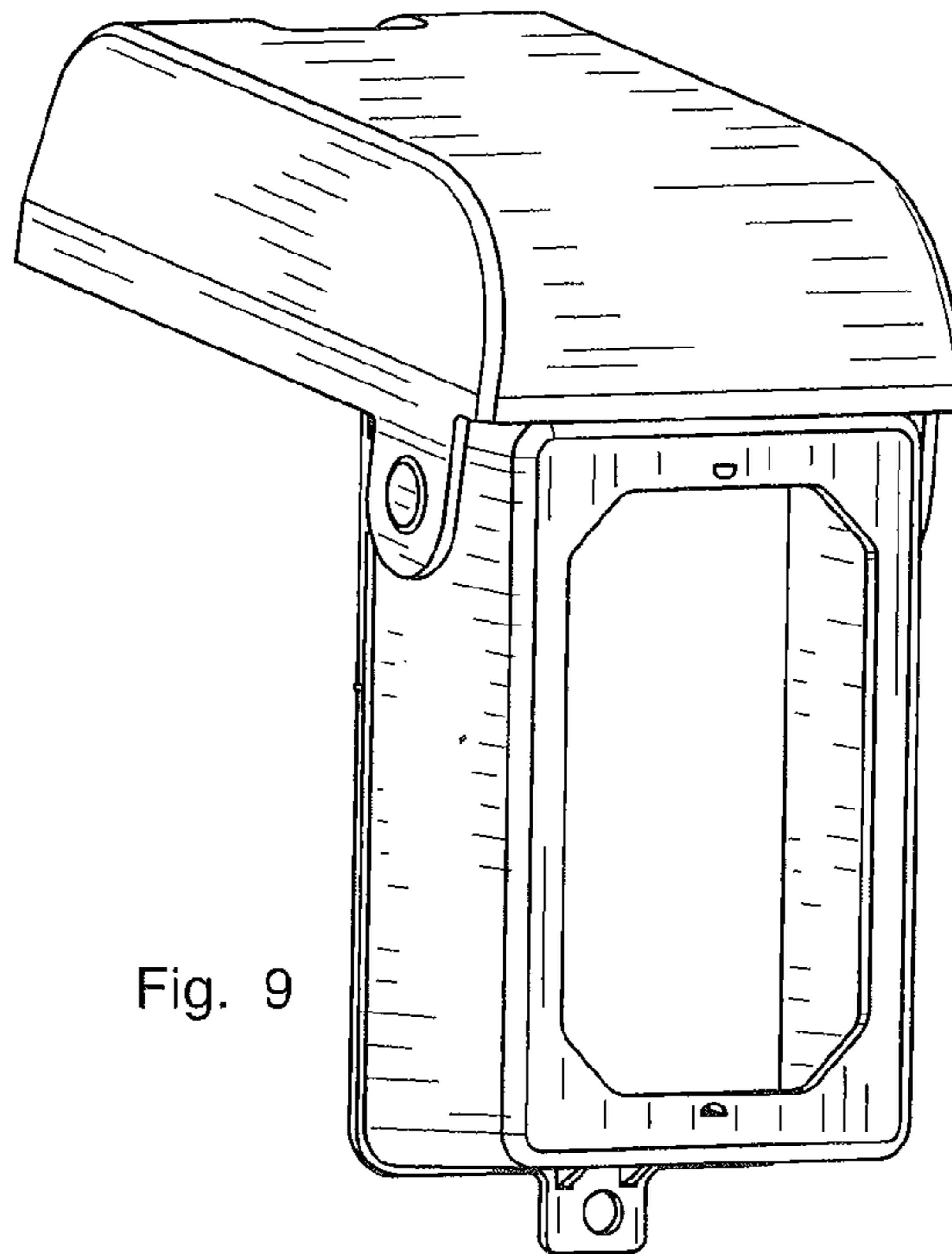


Fig. 9

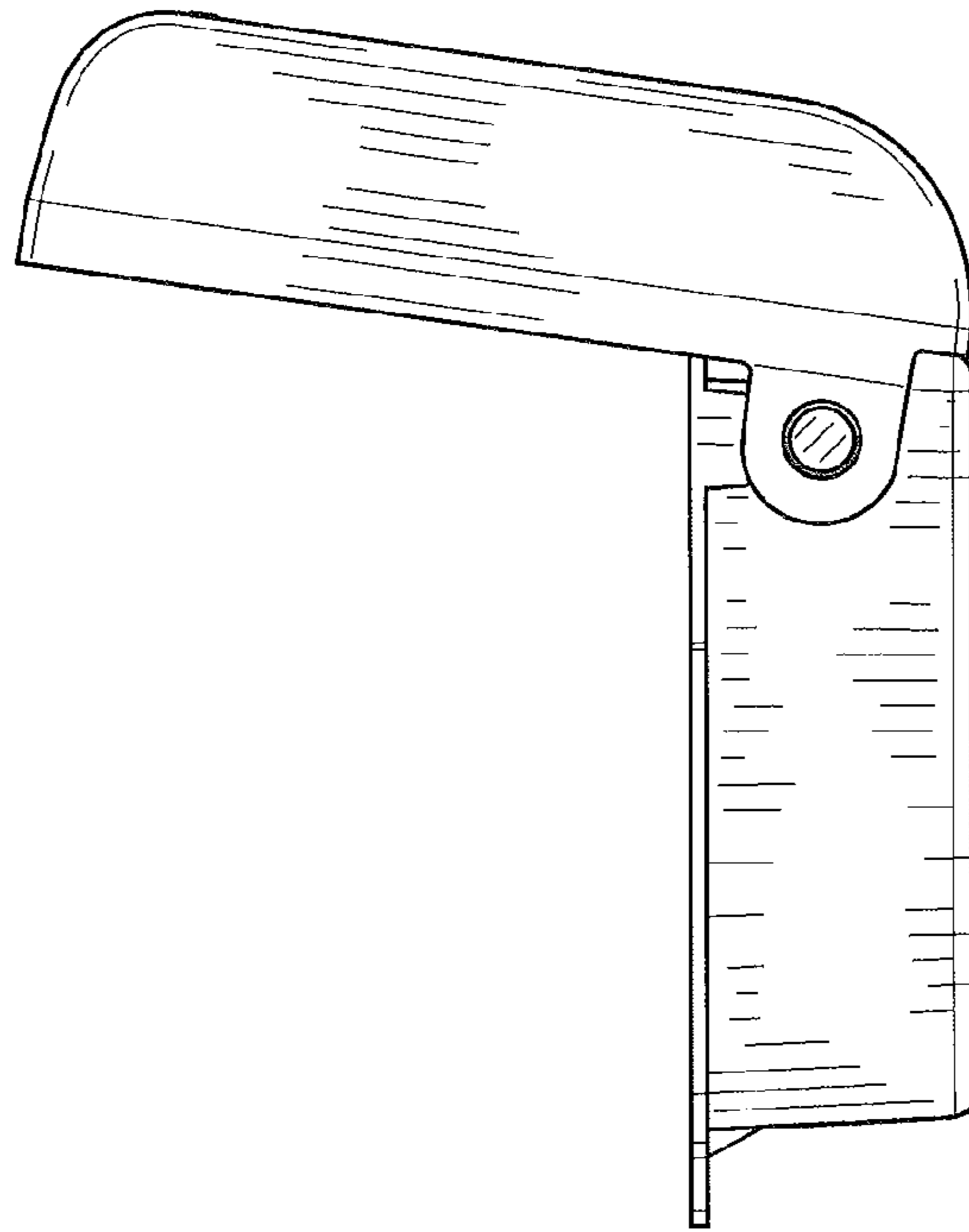


Fig. 10

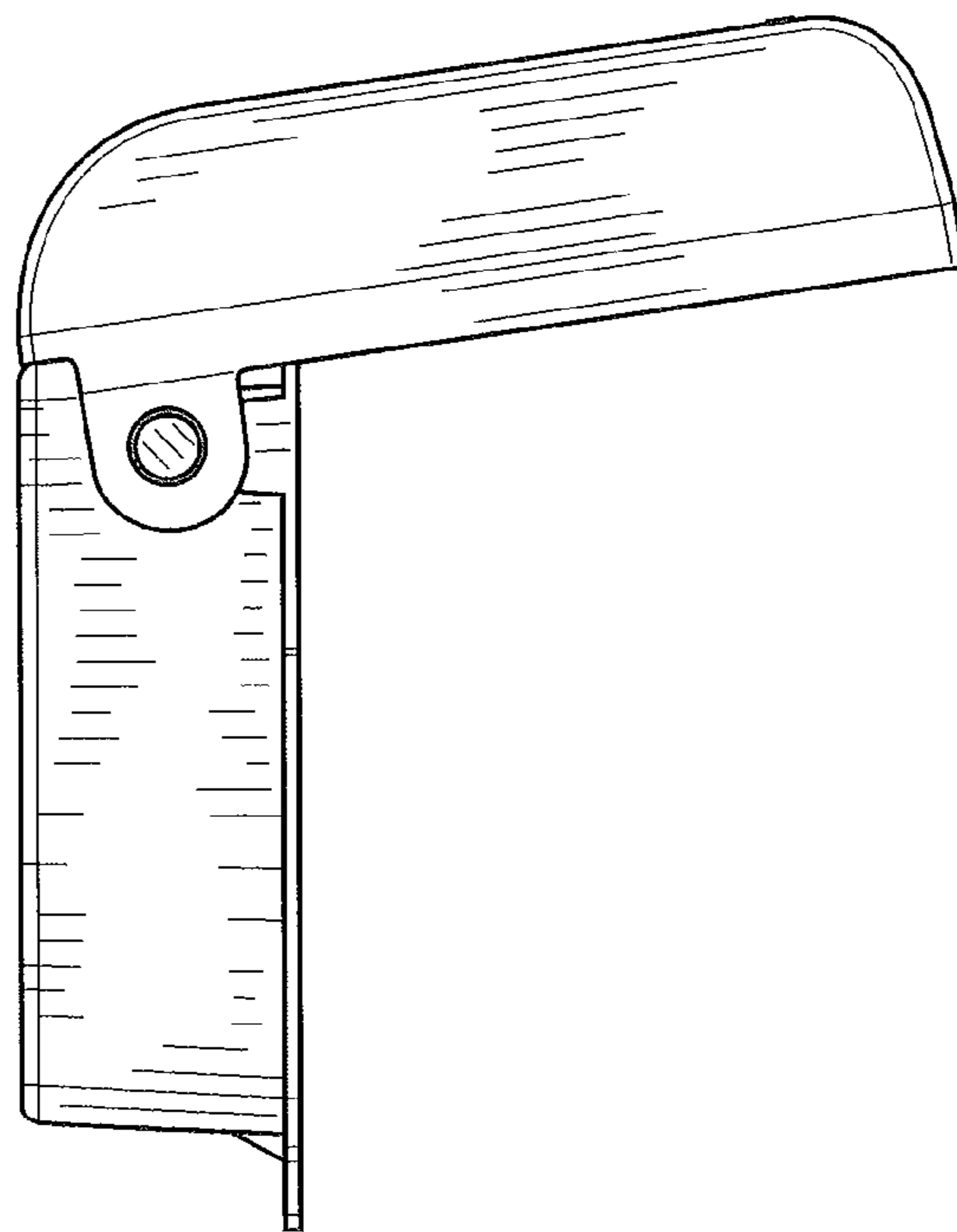


Fig. 11