



US00D690273S

(12) **United States Design Patent**  
**Lin**

(10) **Patent No.:** **US D690,273 S**  
(45) **Date of Patent:** **\*\* Sep. 24, 2013**

(54) **COMPRESSION ASSEMBLY TOOL FOR ATTACHING A CONNECTOR TO A COAXIAL CABLE**

8,006,537 B2 \* 8/2011 Liu ..... 72/409.14  
2008/0104829 A1 \* 5/2008 Munsterman ..... 29/750  
2010/0077604 A1 \* 4/2010 Holliday ..... 29/751  
2011/0154651 A1 \* 6/2011 Liu ..... 29/750

(75) Inventor: **Kai-Yen Lin**, New Taipei (TW)

\* cited by examiner

(73) Assignee: **New Taipei** (TW)

*Primary Examiner* — Derrick Holland

*Assistant Examiner* — Lauren Calve

(\*\*) Term: **14 Years**

(57) **CLAIM**

(21) Appl. No.: **29/400,142**

The ornamental design for a compression assembly tool for attaching a connector to a coaxial cable, as shown and described.

(22) Filed: **Aug. 24, 2011**

(51) **LOC (9) Cl.** ..... **13-03**

**DESCRIPTION**

(52) **U.S. Cl.**  
USPC ..... **D13/155**

(58) **Field of Classification Search**  
USPC ..... D13/110, 155, 156, 133, 184, 199;  
29/758, 748-752, 760, 764, 861; 72/405.01,  
72/405.06, 409.14; D8/4.5, 14, 22, 23, 51-56,  
D8/58-60, 105-107  
See application file for complete search history.

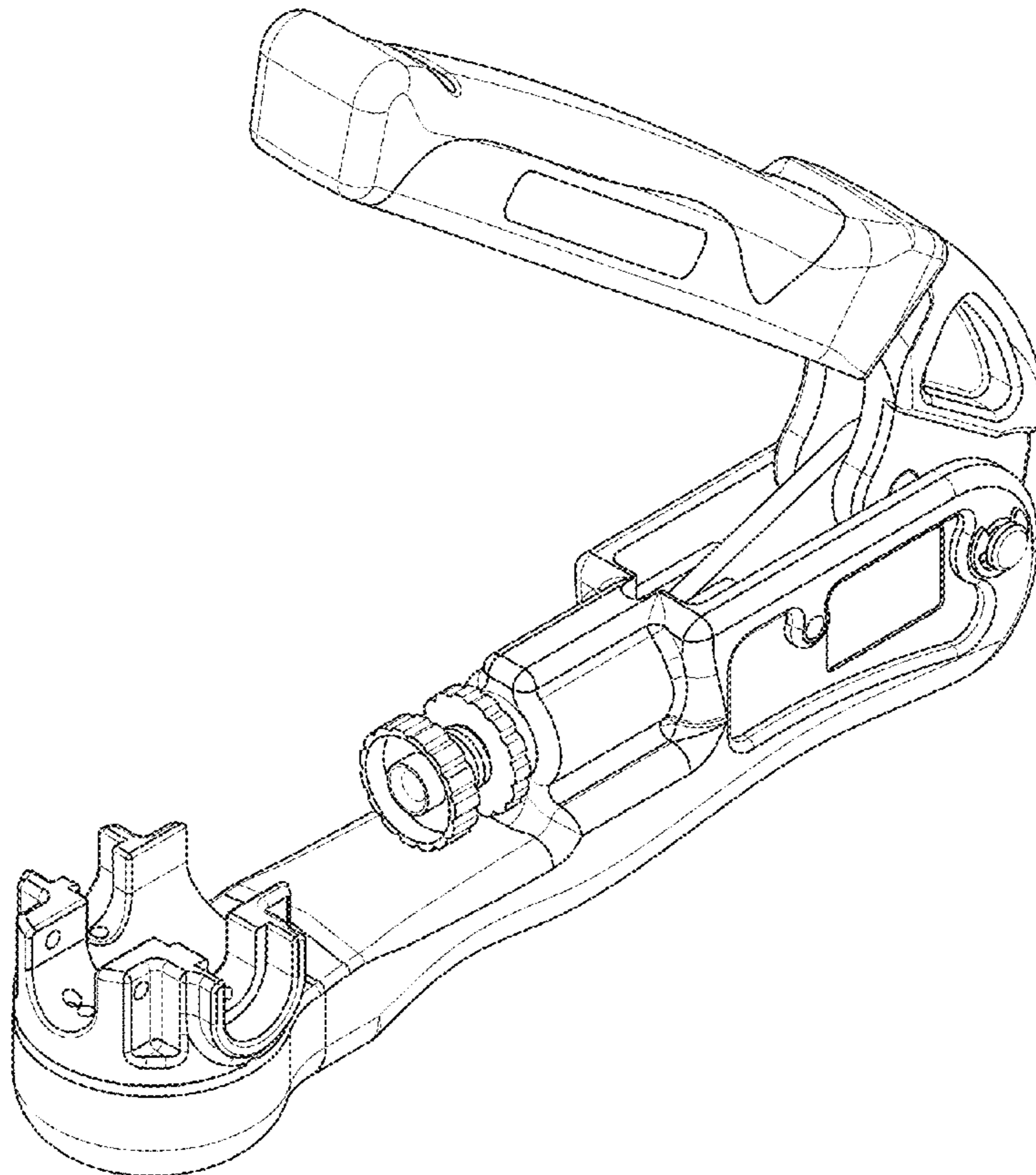
FIG. 1 is a perspective view of a compression assembly tool for attaching a connector to a coaxial cable showing my new design;  
FIG. 2 is a bottom plan view thereof;  
FIG. 3 is a top plan view thereof;  
FIG. 4 is a front view thereof;  
FIG. 5 is a rear view thereof;  
FIG. 6 is a right side view thereof; and,  
FIG. 7 is a left side view thereof.  
The broken line showing of a compression assembly tool for attaching a connector to a coaxial cable represents unclaimed subject matter and forms no part of the claimed design.

(56) **References Cited**

**U.S. PATENT DOCUMENTS**

6,591,487 B2 \* 7/2003 Chang ..... 29/751  
6,708,396 B2 \* 3/2004 Holliday ..... 29/751  
7,761,979 B2 \* 7/2010 Wang ..... 29/758

**1 Claim, 7 Drawing Sheets**



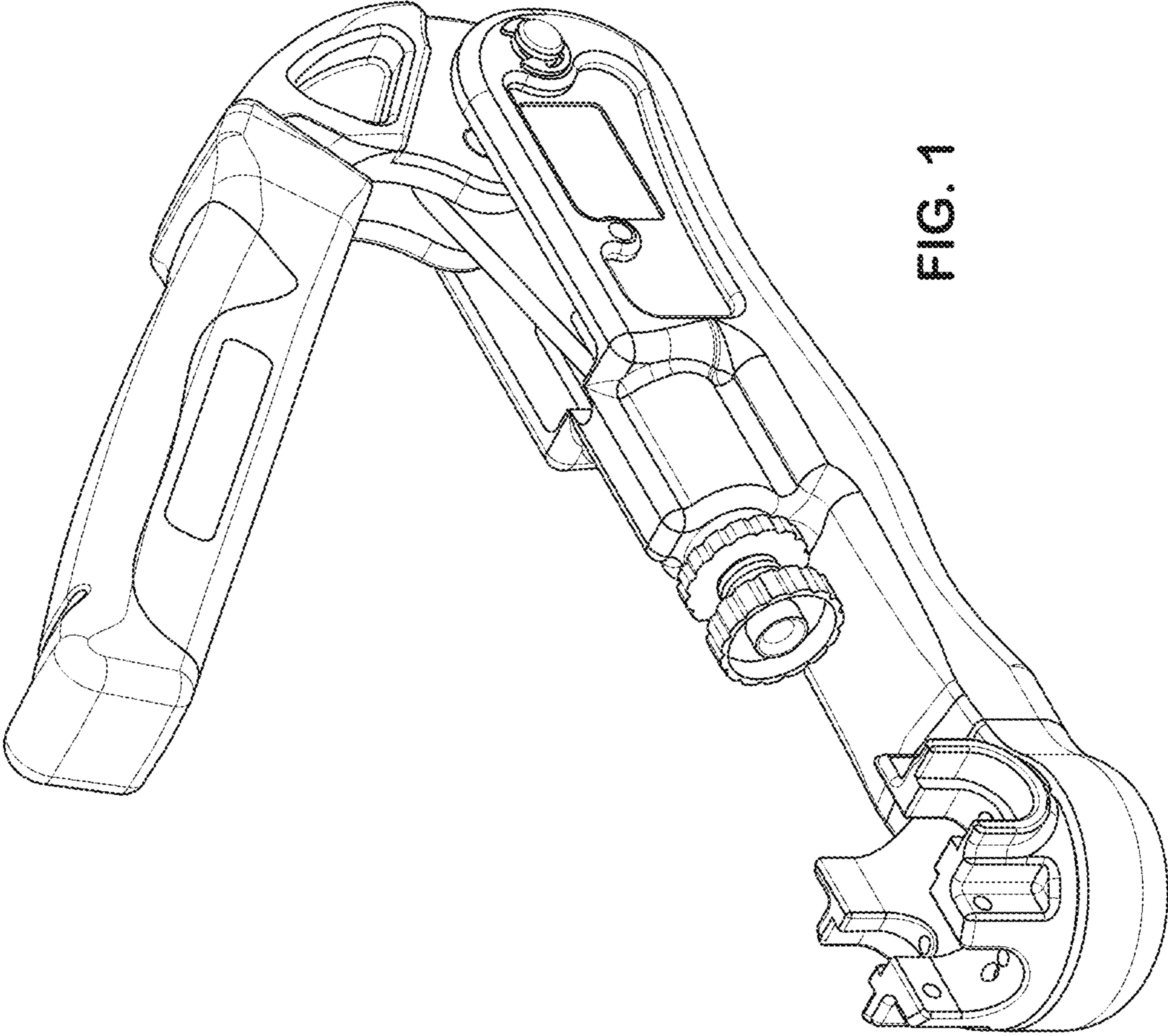


FIG. 1

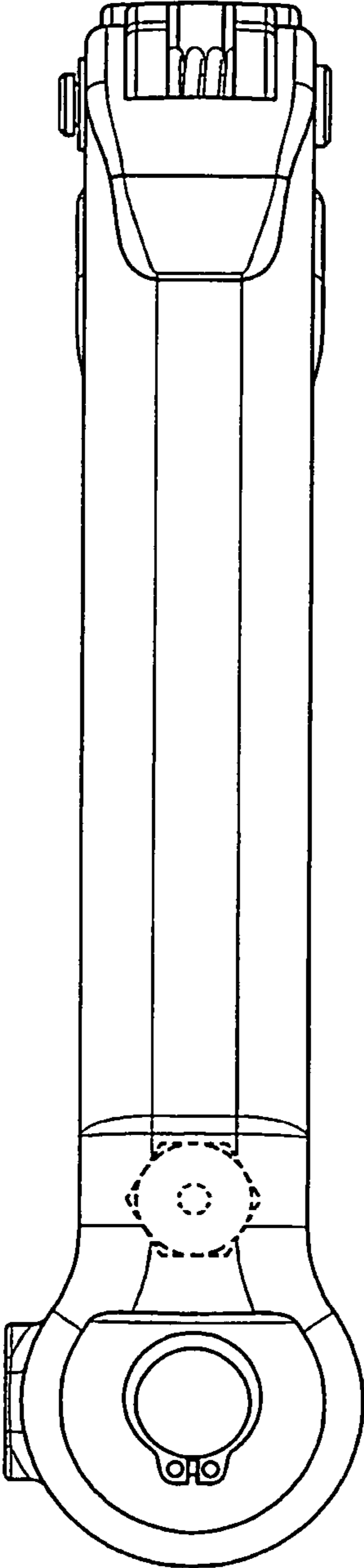


FIG. 2

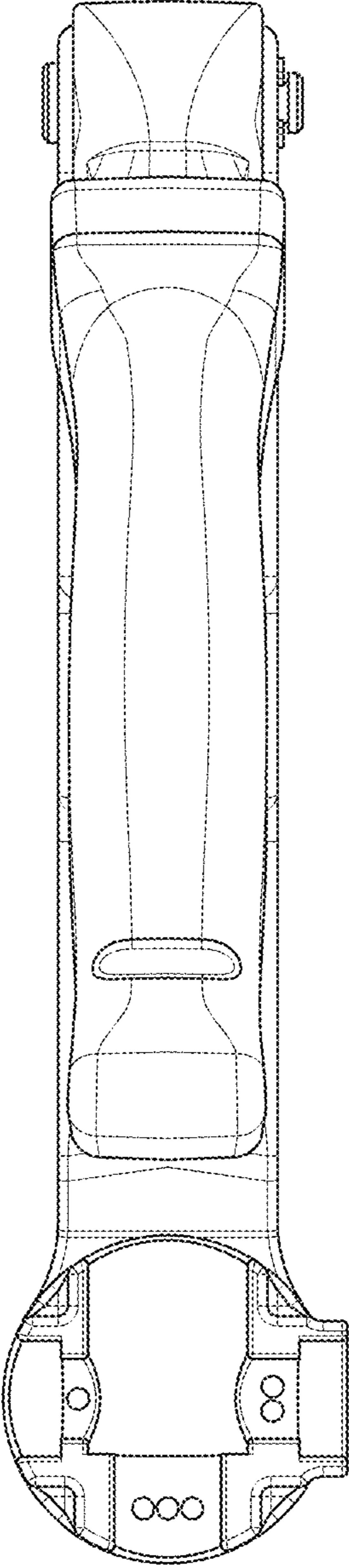


FIG. 3

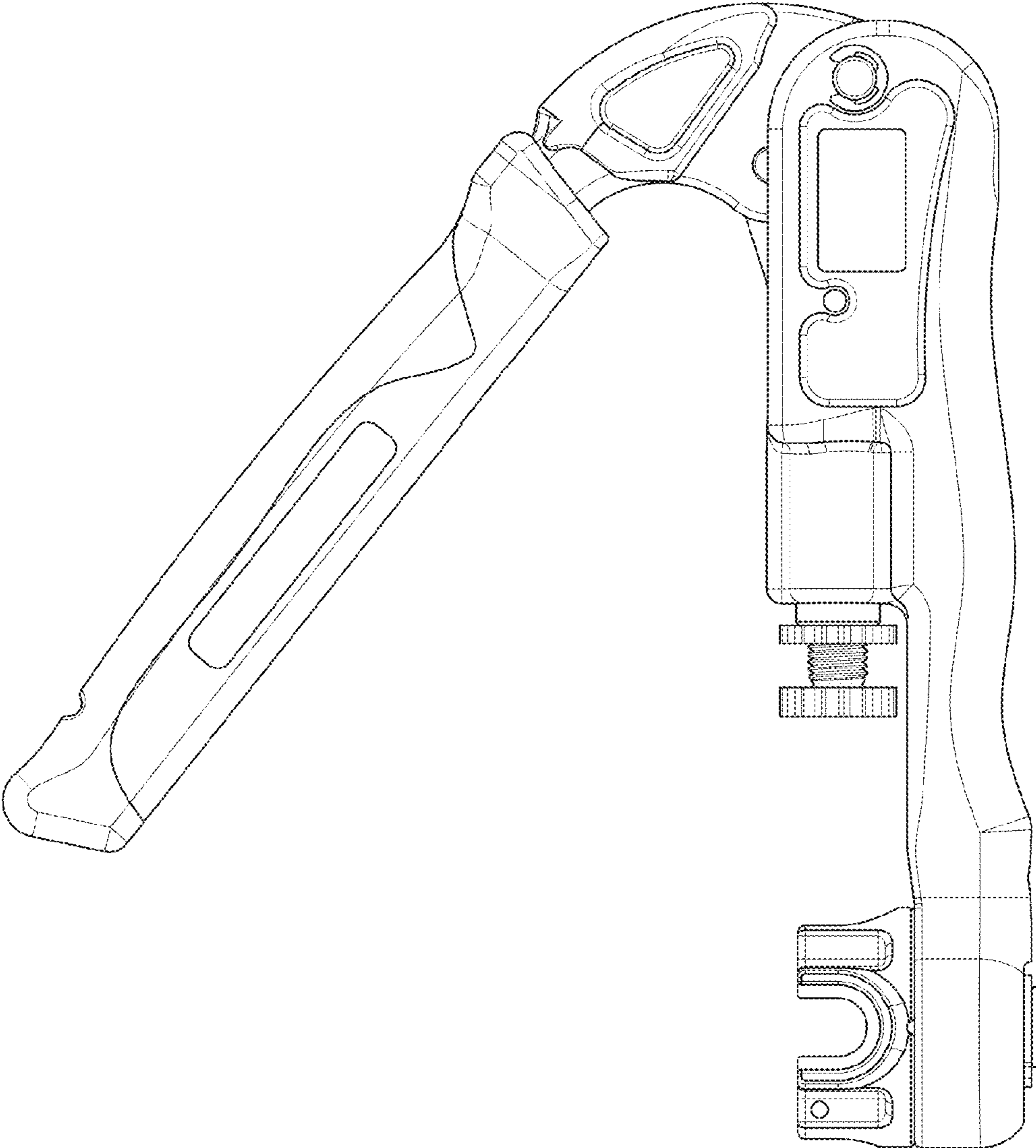


FIG. 4



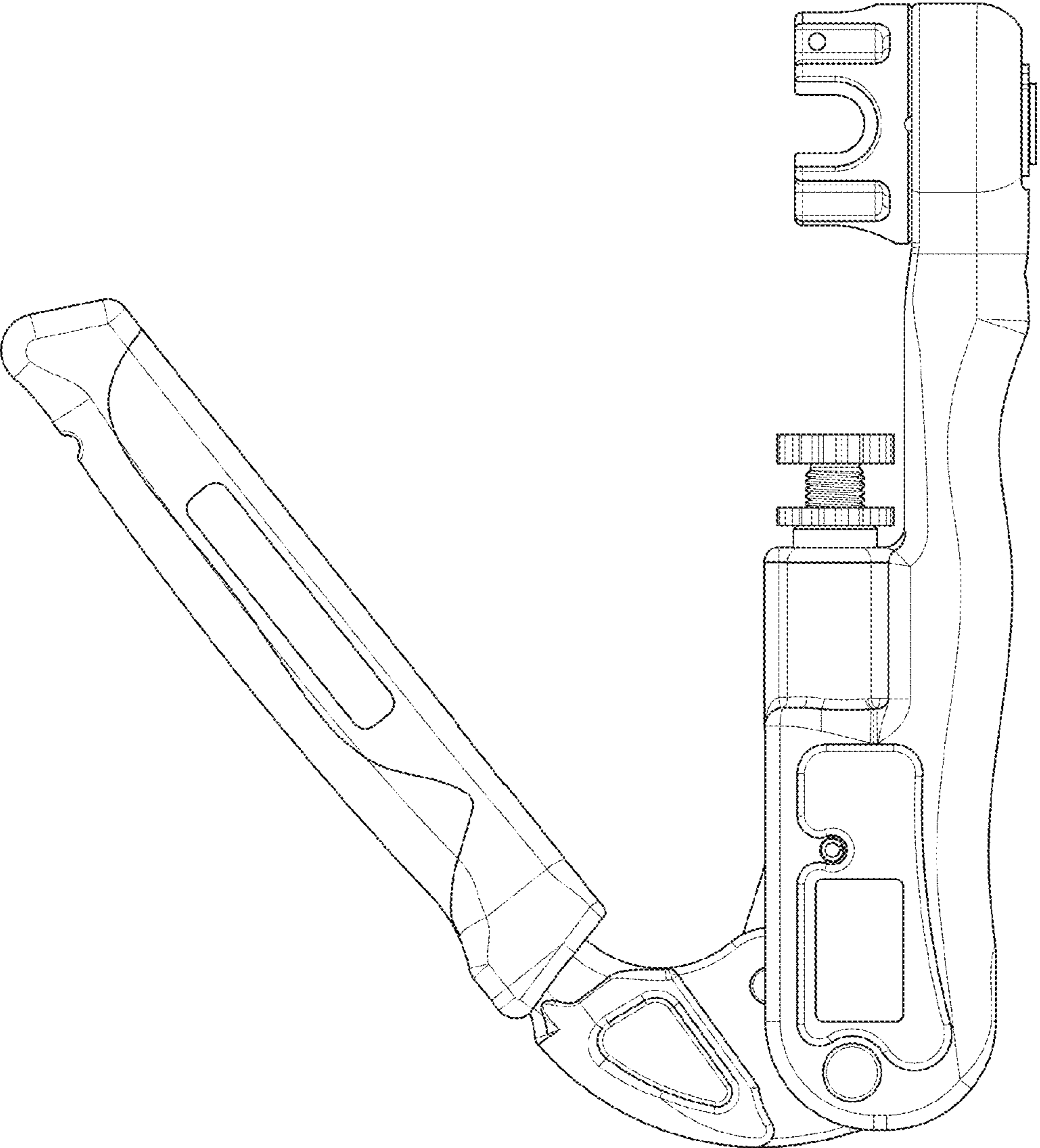


FIG. 5

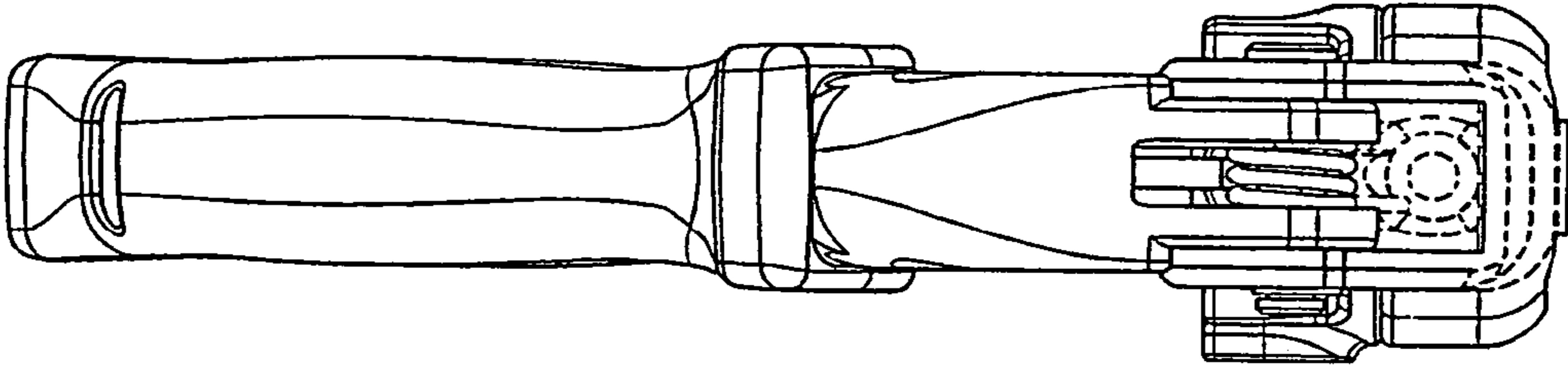


FIG. 6

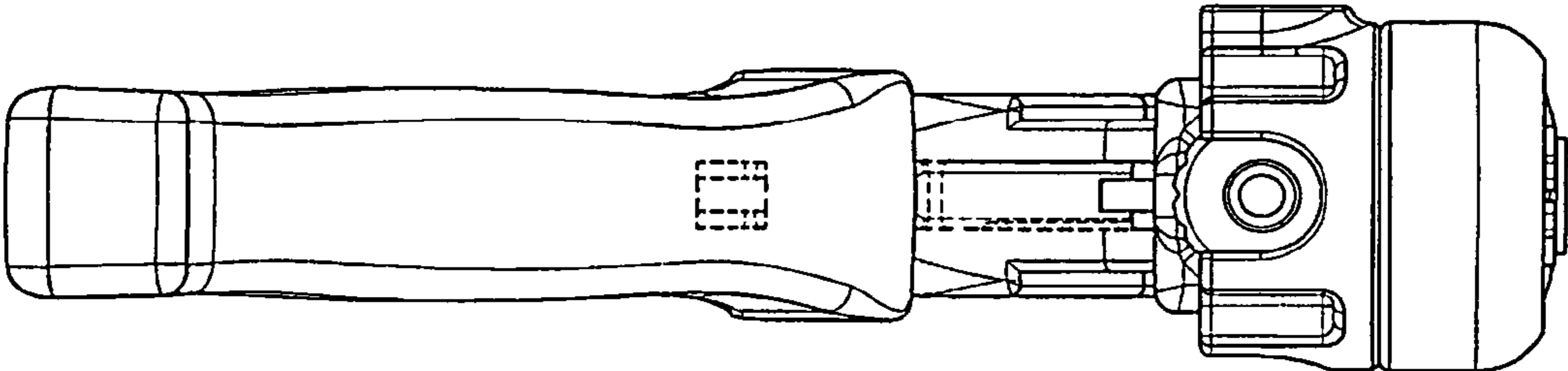


FIG. 7



UNITED STATES PATENT AND TRADEMARK OFFICE  
**CERTIFICATE OF CORRECTION**

PATENT NO. : D690,273 S  
APPLICATION NO. : 29/400142  
DATED : September 24, 2013  
INVENTOR(S) : Kai-Yen Lin

Page 1 of 1

It is certified that error appears in the above-identified patent and that said Letters Patent is hereby corrected as shown below:

On the title page, see item (73) Assignee: "New Taipei (TW)" should read -Jetool Corp., New Taipei City (TW)-

Signed and Sealed this  
Twelfth Day of November, 2013



Teresa Stanek Rea  
*Deputy Director of the United States Patent and Trademark Office*