



US00D690272S

(12) **United States Design Patent**
Kline

(10) **Patent No.:** **US D690,272 S**

(45) **Date of Patent:** **** Sep. 24, 2013**

- (54) **PROFILE FOR A CO-EXTRUSION**
- (75) Inventor: **James E. Kline**, Blairstown, NJ (US)
- (73) Assignee: **Laird Technologies, Inc.**, Earth City, MO (US)
- (**) Term: **14 Years**
- (21) Appl. No.: **29/391,277**
- (22) Filed: **May 5, 2011**
- (51) **LOC (9) Cl.** **13-03**
- (52) **U.S. Cl.**
USPC **D13/155**
- (58) **Field of Classification Search**
USPC D13/146, 147, 149, 153, 154, 155,
D13/156, 157, 158, 160, 173, 184, 199;
277/566, 594, 602, 612, 628, 649; 174/34,
174/355; D8/356, 364
See application file for complete search history.

FOREIGN PATENT DOCUMENTS
CN 201130077574.6 4/2011

OTHER PUBLICATIONS
Design U.S. Appl. No. 29/387,769, filed Mar. 17, 2011, Ball.
Extruded EMI Gaskets Products & Custom Solutions Catalog; (See
p. 33); Copyright 2009; 86 pages.

* cited by examiner

Primary Examiner — Derrick Holland
Assistant Examiner — Lauren Calve
(74) *Attorney, Agent, or Firm* — Harness, Dickey & Pierce,
P.L.C.

(57) **CLAIM**
The ornamental design for a profile for a co-extrusion, as
shown and described.

(56) **References Cited**

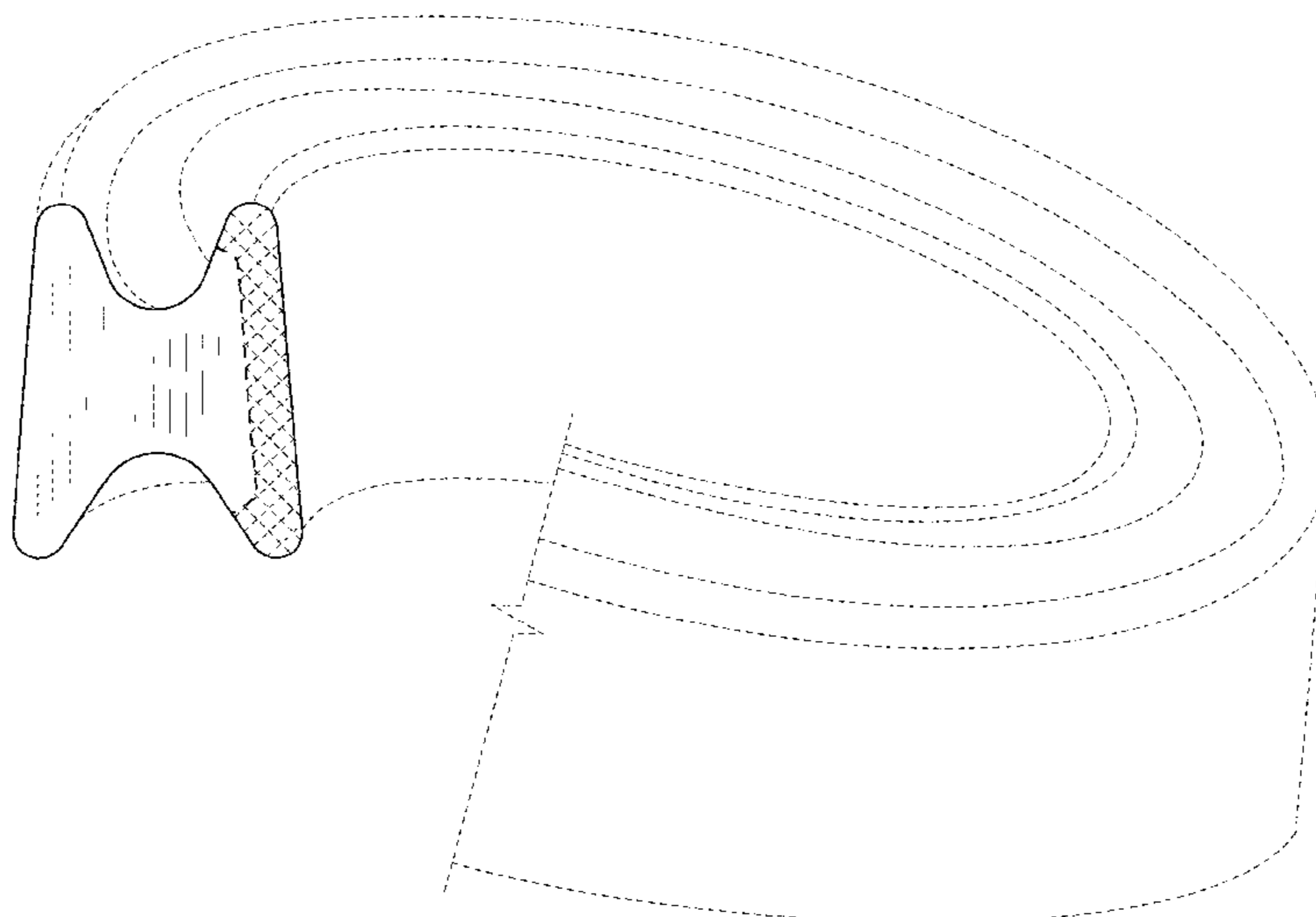
U.S. PATENT DOCUMENTS

| | | | | | |
|--------------|------|---------|-----------------|-------|----------|
| D114,239 | S * | 4/1939 | Ryan | | D13/154 |
| RE24,332 | E * | 6/1957 | Svenson | | 277/566 |
| 2,898,000 | A * | 8/1959 | Hanny | | 277/649 |
| 3,019,500 | A * | 2/1962 | Duffin et al. | | 24/561 |
| 3,098,660 | A * | 7/1963 | Hausner | | 277/530 |
| 3,542,380 | A * | 11/1970 | Klaus et al. | | 277/639 |
| D224,787 | S * | 9/1972 | Shlesinger | | D13/153 |
| 3,915,462 | A * | 10/1975 | Bruns et al. | | 277/647 |
| 4,094,515 | A * | 6/1978 | Araya et al. | | 277/402 |
| D275,174 | S * | 8/1984 | Rolli | | D8/356 |
| 4,750,847 | A * | 6/1988 | Boyd | | 384/130 |
| 5,040,905 | A * | 8/1991 | Boyd | | 384/130 |
| 6,182,837 | B1 * | 2/2001 | Crabtree | | 211/59.4 |
| 6,540,234 | B1 * | 4/2003 | Atkinson et al. | | 277/612 |
| 2007/0063451 | A1 * | 3/2007 | Yeager | | 277/566 |

DESCRIPTION

FIG. 1 is a front view of a profile for a co-extrusion showing
my new design;
FIG. 2 is a rear view thereof;
FIG. 3 is a top view thereof;
FIG. 4 is a bottom plan view thereof;
FIG. 5 is a left side view thereof;
FIG. 6 is a right side view thereof;
FIG. 7 is a first perspective view thereof; and,
FIG. 8 is a second perspective view thereof.
The broken lines shown represent unclaimed subject matter
and form no part of the claimed design. The diagonal broken
lines in FIGS. 3-8 indicate indeterminate length and form no
part of the claimed design.

1 Claim, 6 Drawing Sheets



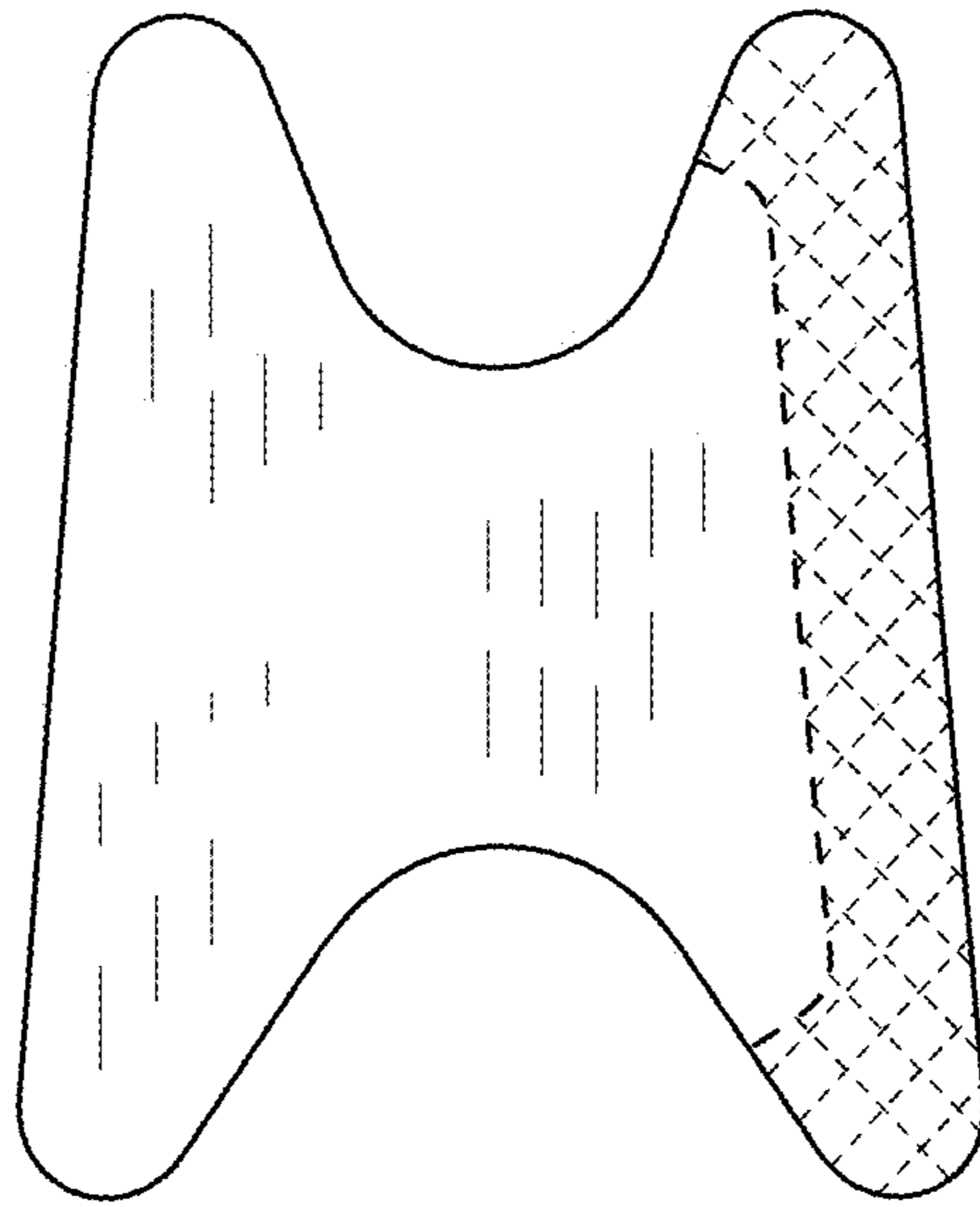


Fig. 1

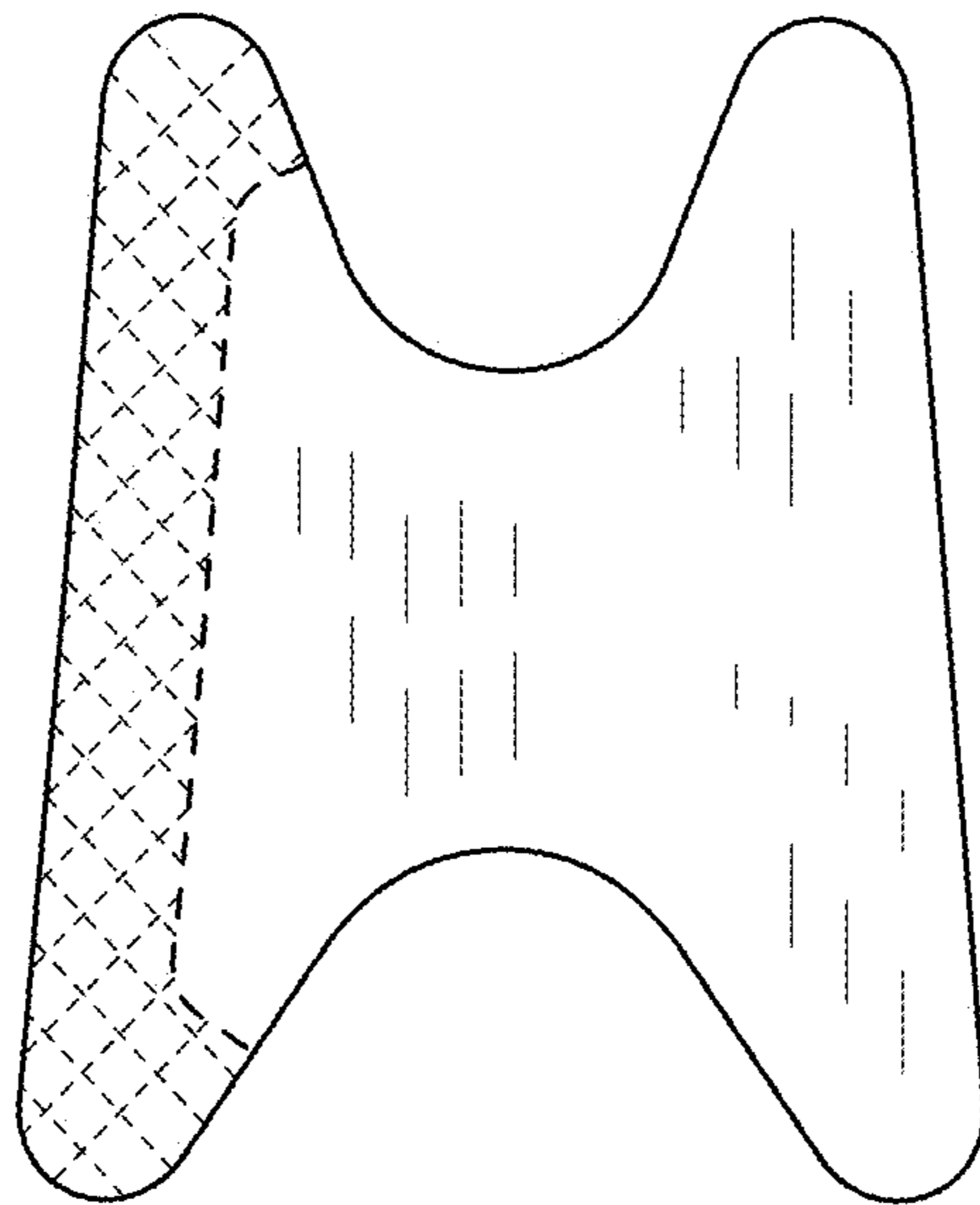


Fig. 2

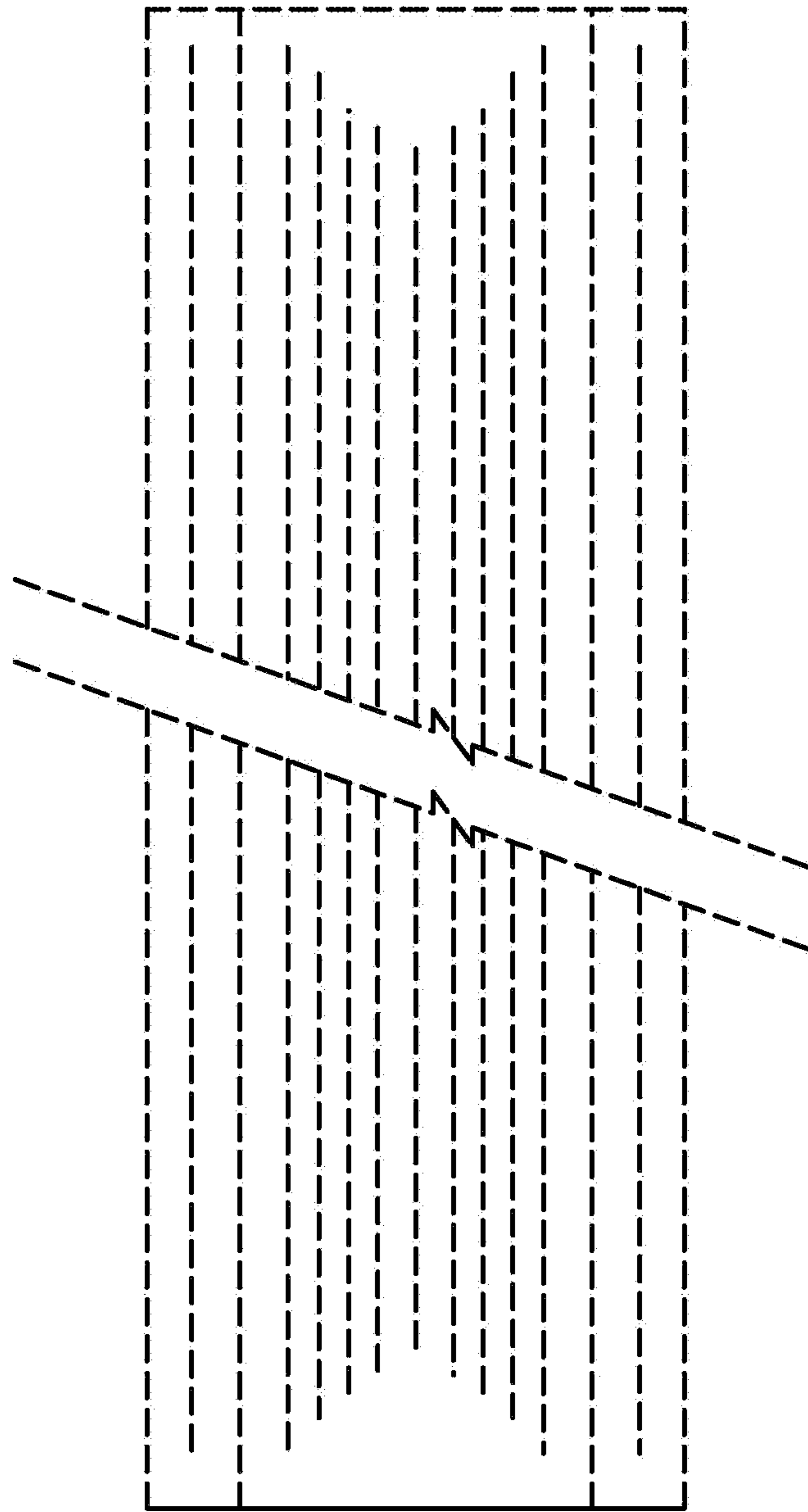


Fig. 3

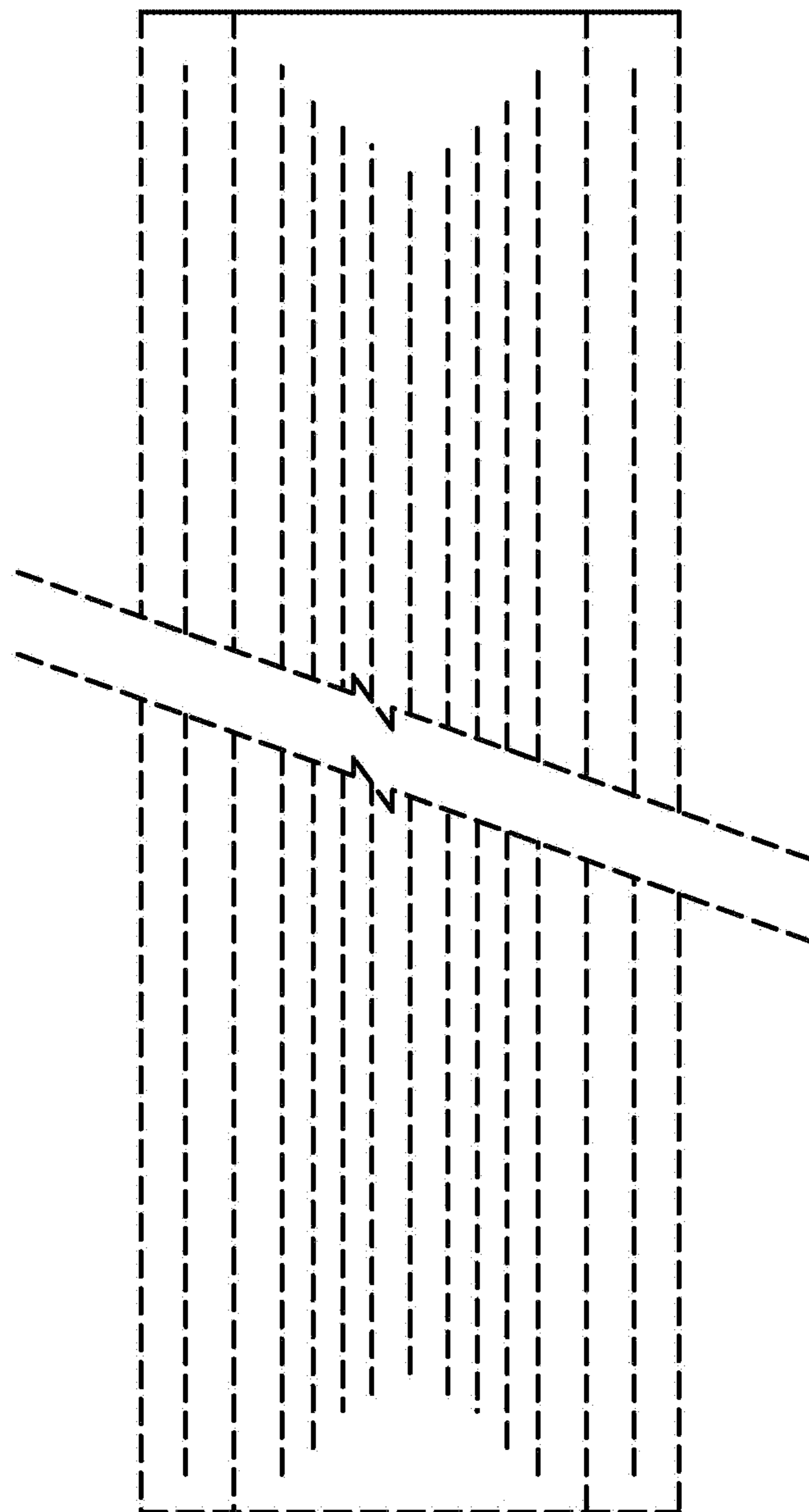


Fig. 4

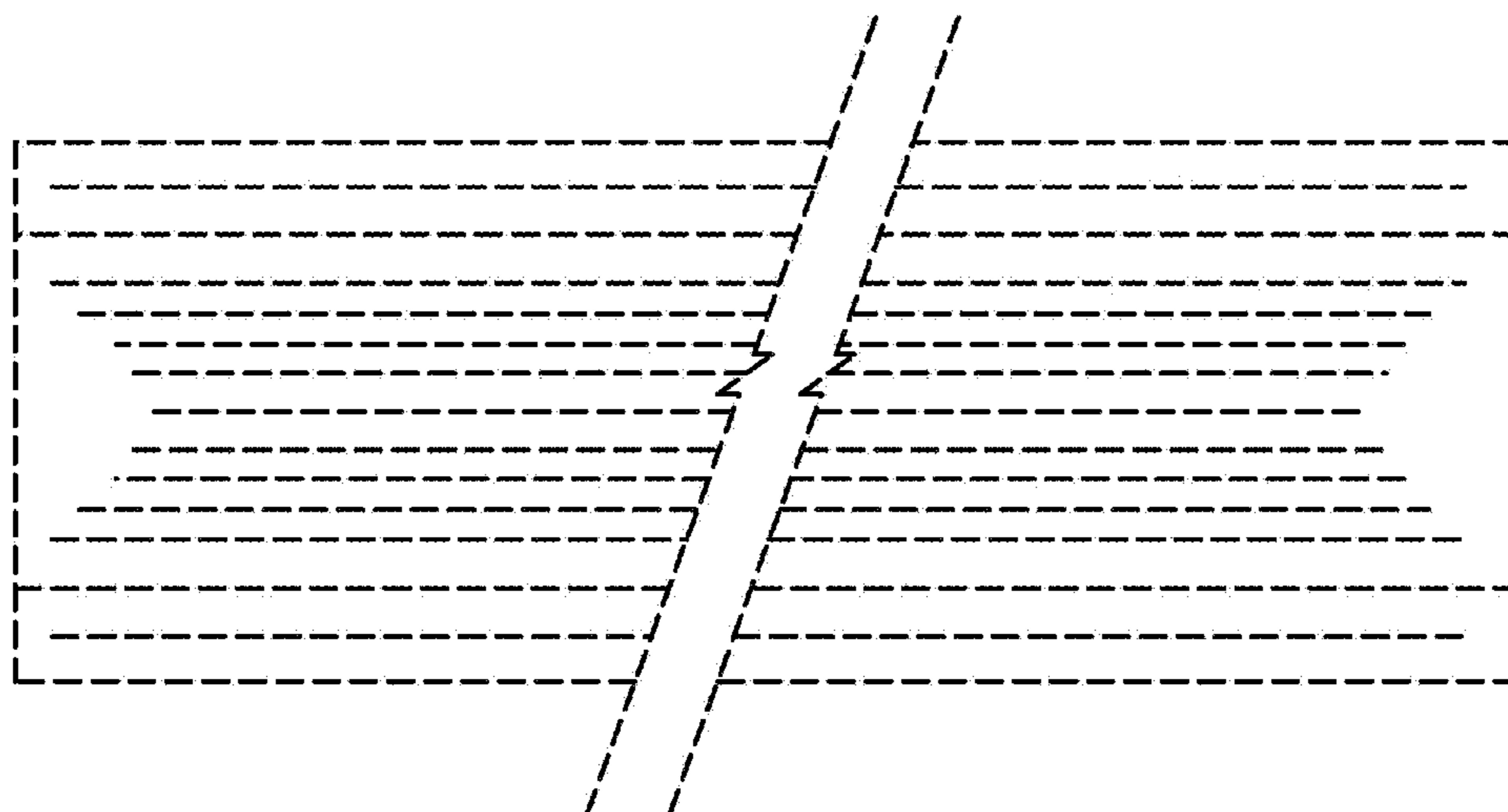


Fig. 5

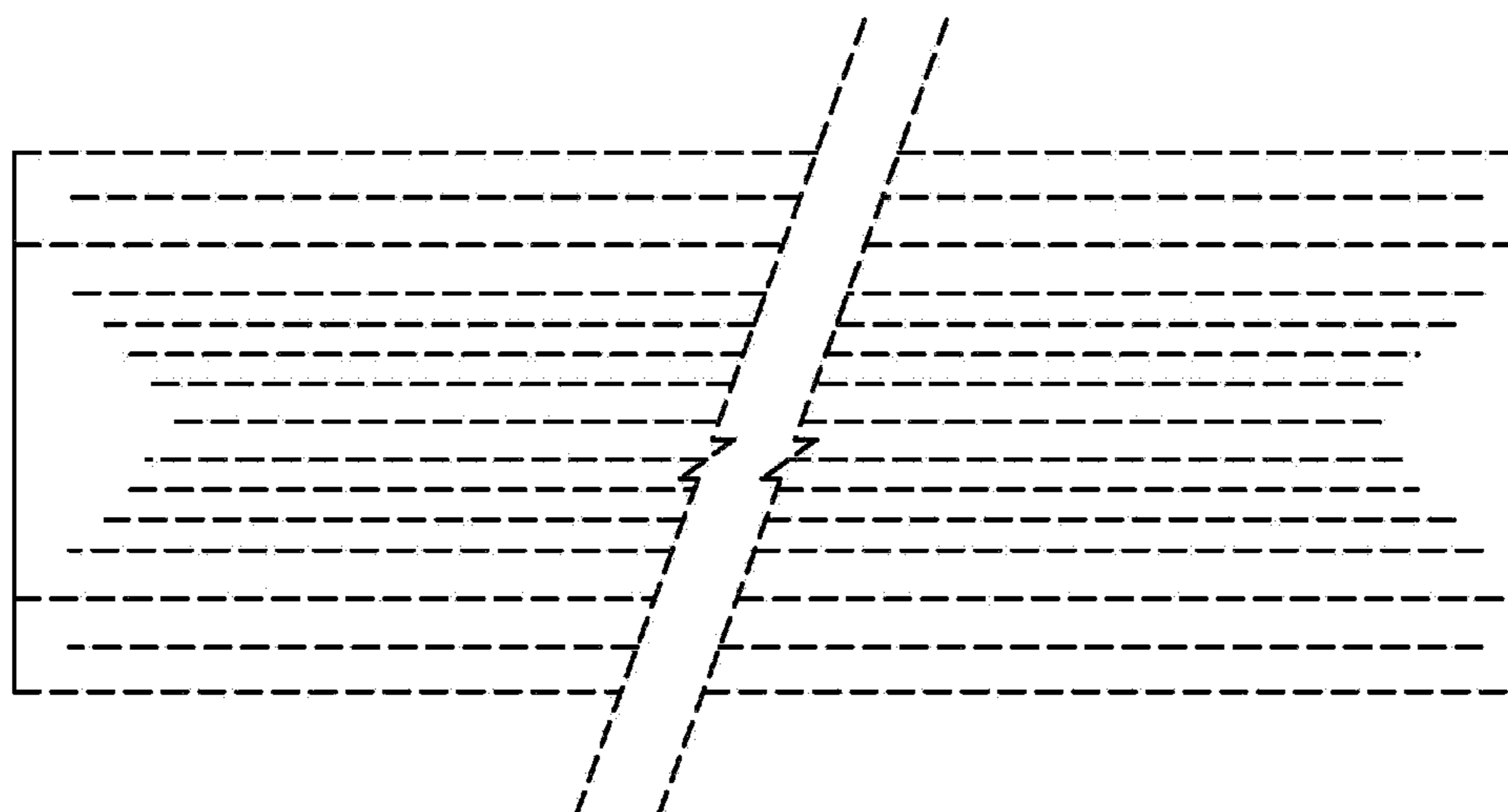


Fig. 6

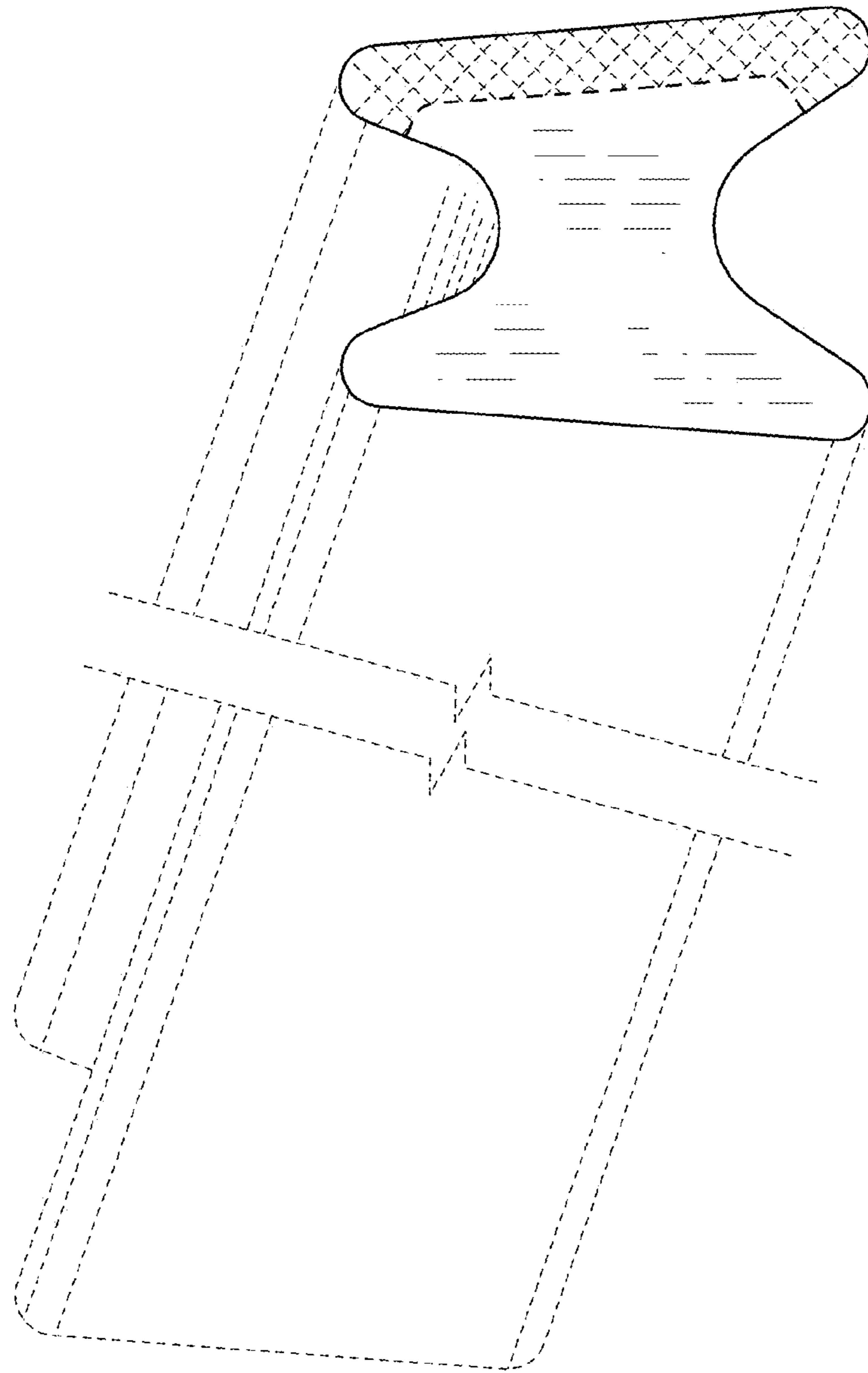


Fig.7

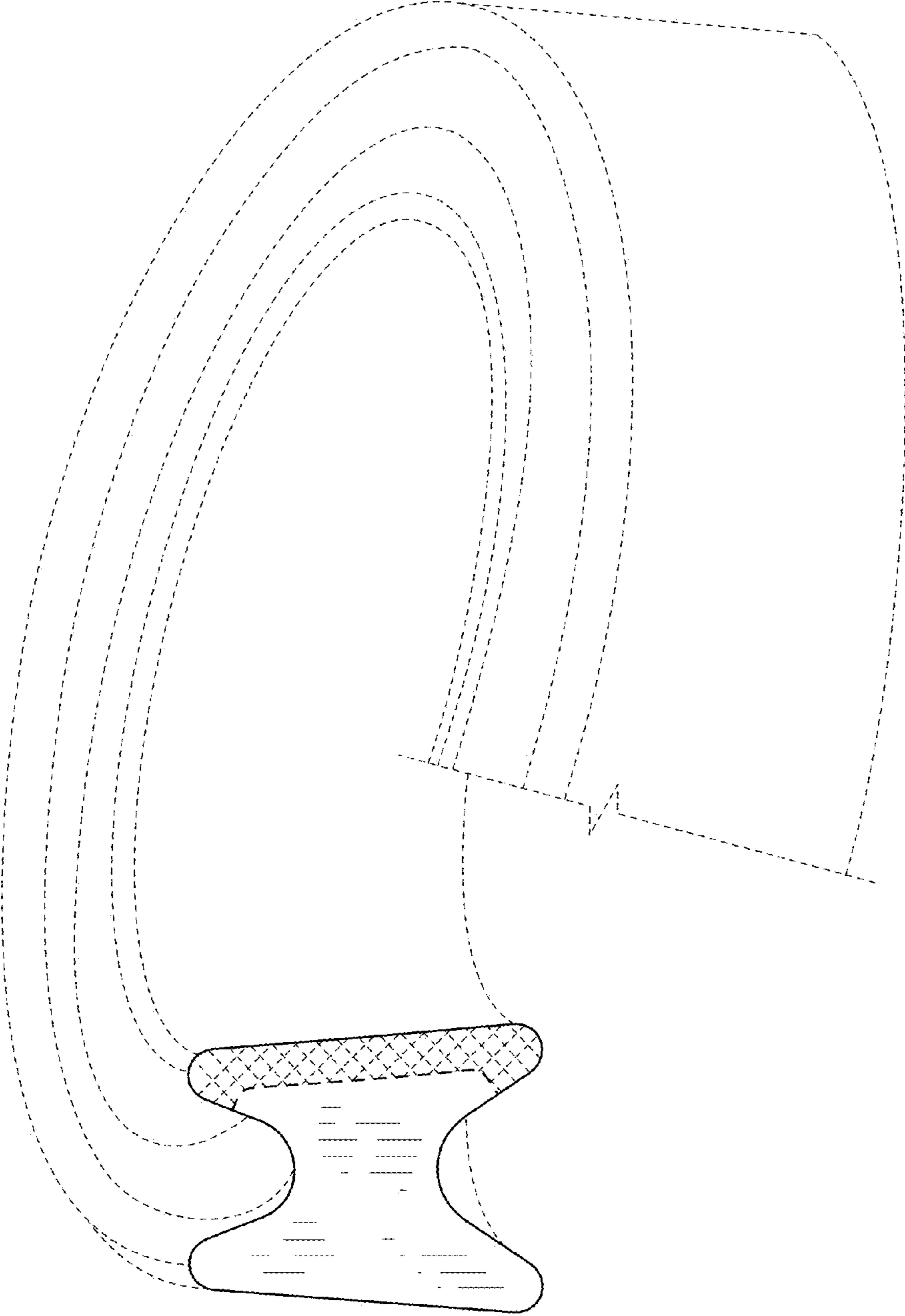


Fig. 8