



US00D690270S

(12) **United States Design Patent**  
**Ozeki**

(10) **Patent No.:** **US D690,270 S**

(45) **Date of Patent:** **\*\* Sep. 24, 2013**

(54) **ELECTRIC CONNECTOR**

(71) Applicant: **Dai-Ichi Seiko Co., Ltd.**, Kyoto (JP)

(72) Inventor: **Kosuke Ozeki**, Fukuoka (JP)

(73) Assignee: **Dai-Ichi Seiko Co., Ltd.**, Kyoto-shi (JP)

(\*\*) Term: **14 Years**

(21) Appl. No.: **29/434,816**

(22) Filed: **Oct. 17, 2012**

(30) **Foreign Application Priority Data**

Apr. 26, 2012 (JP) ..... 2012-009926

(51) **LOC (9) Cl.** ..... **13-03**

(52) **U.S. Cl.**  
USPC ..... **D13/147**

(58) **Field of Classification Search**  
USPC ..... D13/147, 154, 184, 199; 439/79,  
439/159–160, 260, 278, 325, 328–329, 381,  
439/395, 422, 492, 495, 499, 630, 862, 892,  
439/894  
See application file for complete search history.

(56) **References Cited**

U.S. PATENT DOCUMENTS

D405,053	S *	2/1999	Tan et al.	.....	D13/147
D576,104	S *	9/2008	Kasahara	.....	D13/147
D591,241	S *	4/2009	Yang	.....	D13/147
D628,164	S *	11/2010	Mashima	.....	D13/147
D629,759	S	12/2010	Hara		
D654,029	S *	2/2012	Ozeki	.....	D13/147
8,376,762	B2 *	2/2013	Ozeki	.....	439/153
2012/0220171	A1 *	8/2012	Shimada et al.	.....	439/660

FOREIGN PATENT DOCUMENTS

JP D1403816 12/2010

OTHER PUBLICATIONS

U.S. Appl. No. 29/391,896, filed May 13, 2011, Ozeki, et al.

\* cited by examiner

*Primary Examiner* — Daniel Bui

(74) *Attorney, Agent, or Firm* — Oblon, Spivak, McClelland, Maier & Neustadt, L.L.P.

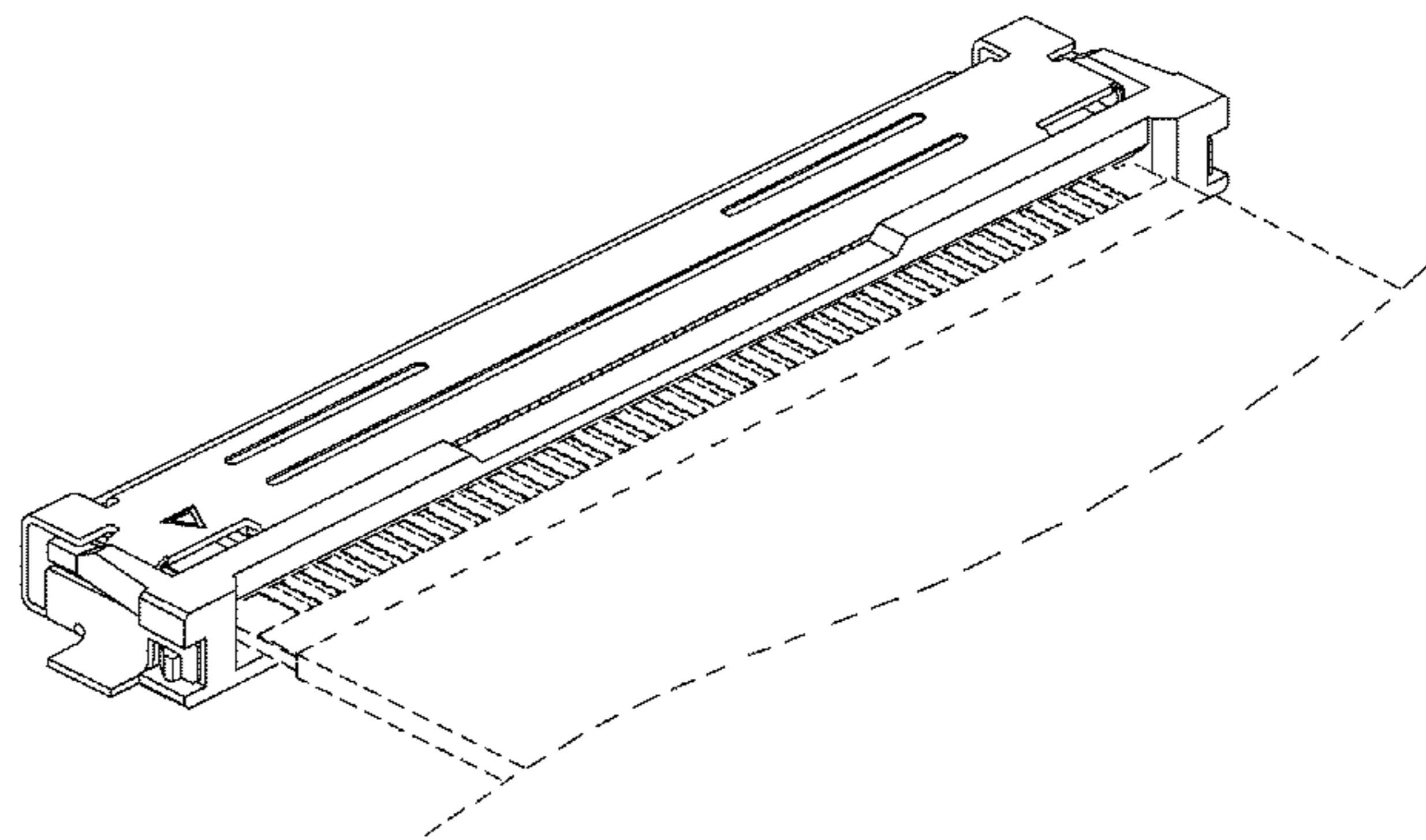
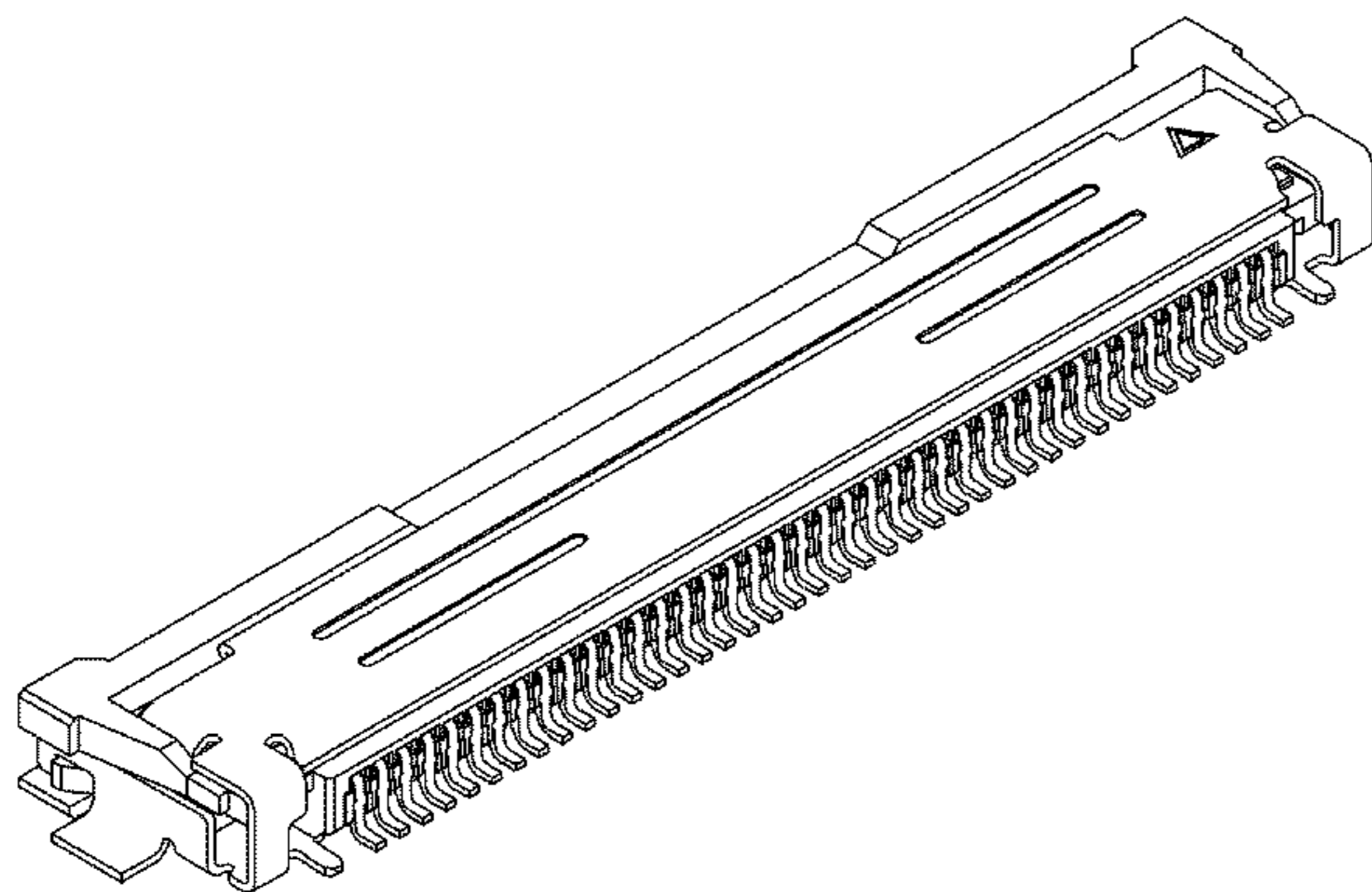
(57) **CLAIM**

The ornamental design for an electric connector, as shown and described.

**DESCRIPTION**

FIG. 1 is a top plan view of an electric connector showing my new design;  
FIG. 2 is a front elevational view thereof;  
FIG. 3 is a bottom plan view thereof;  
FIG. 4 is a rear elevational view thereof;  
FIG. 5 is a right side elevational view thereof;  
FIG. 6 is a front, top, and left side perspective view thereof;  
FIG. 7 is a rear, top, and right side perspective view thereof;  
FIG. 8 is a rear, bottom, and left side perspective view thereof;  
FIG. 9 is a front, bottom, and right side perspective view thereof; and,  
FIG. 10 is a front, top, and left side perspective view thereof, in a use condition.  
The broken lines in the drawings depict environmental subject matter only and form no part of the claimed design.

**1 Claim, 10 Drawing Sheets**



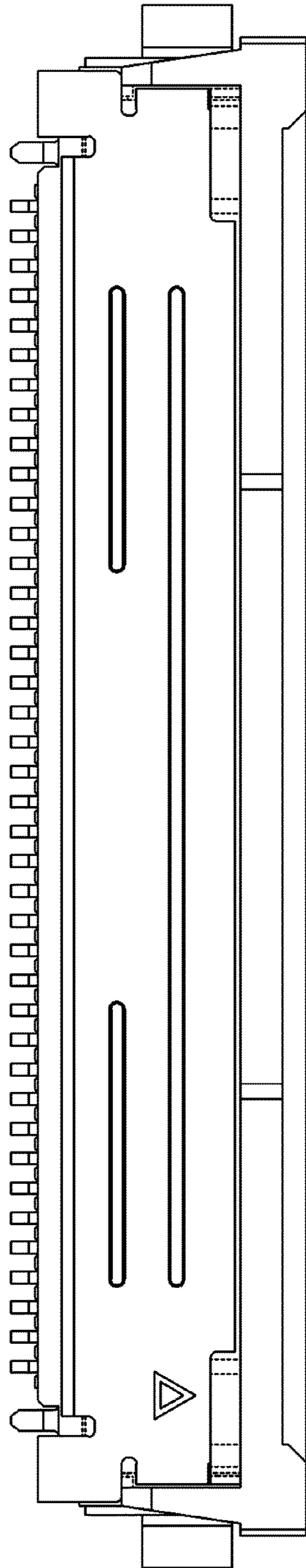


FIG.1

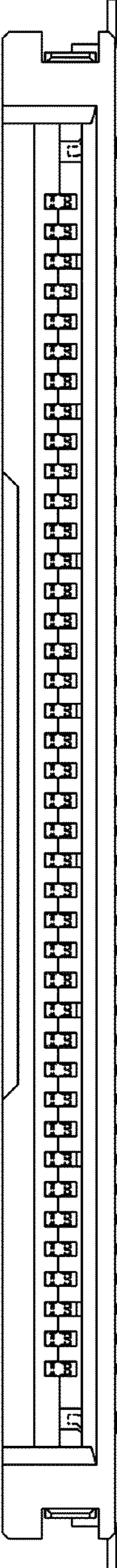


FIG.2

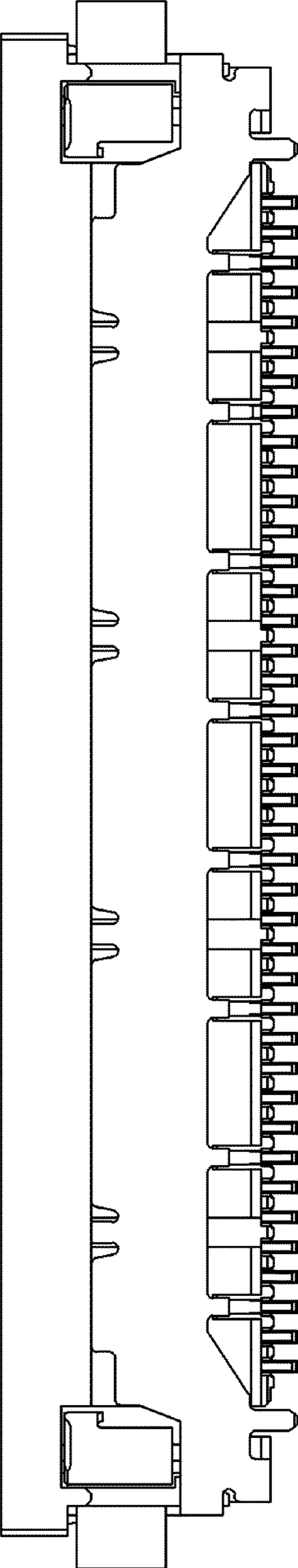


FIG.3

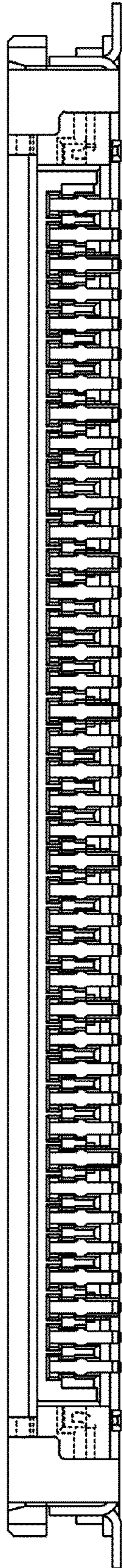


FIG.4

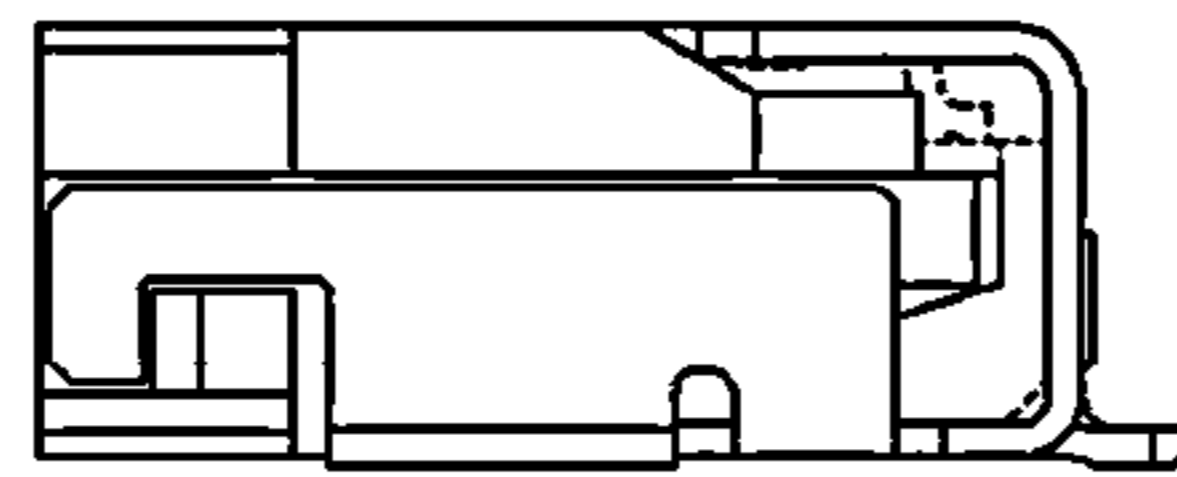


FIG.5

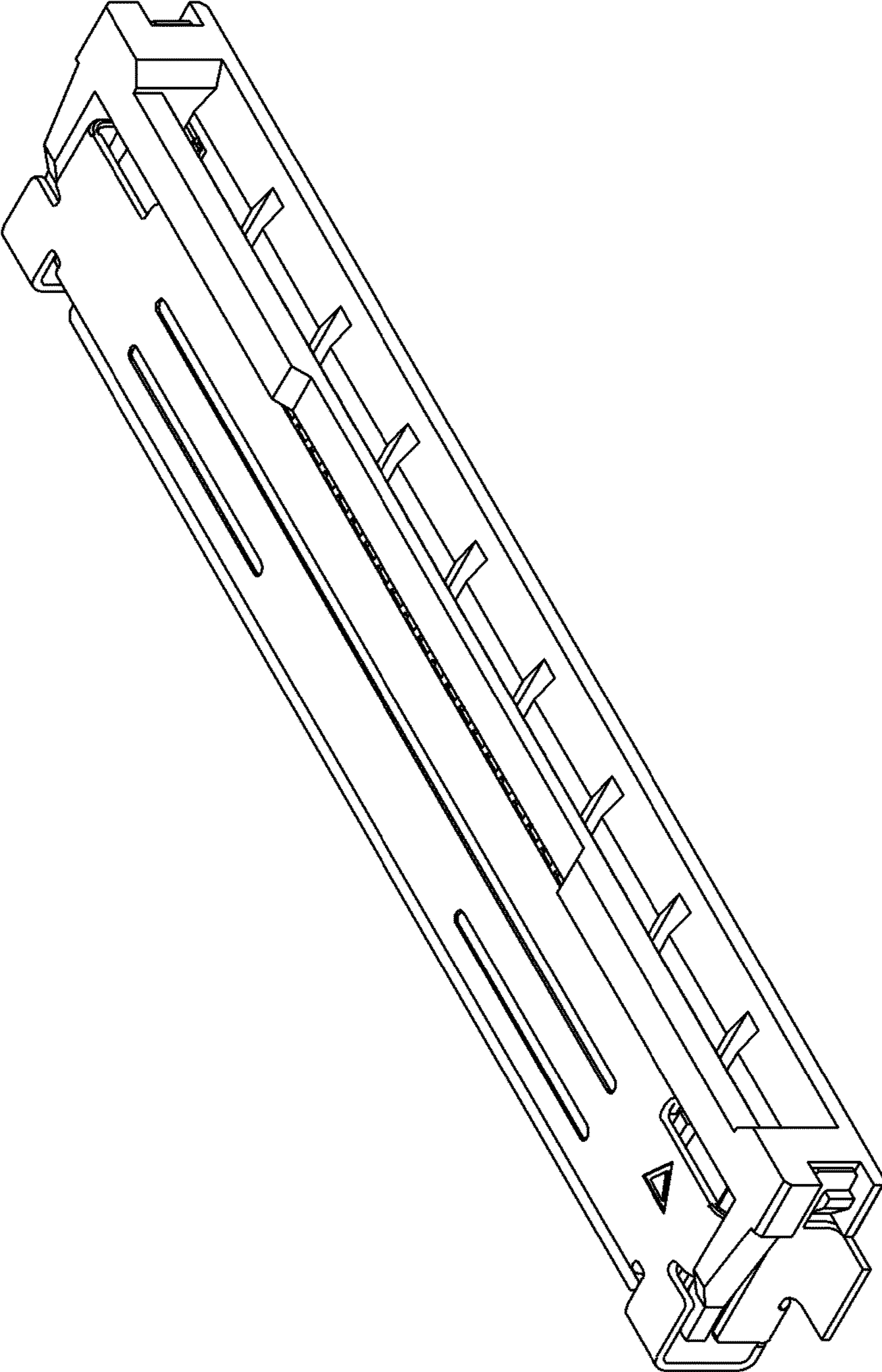


FIG.6

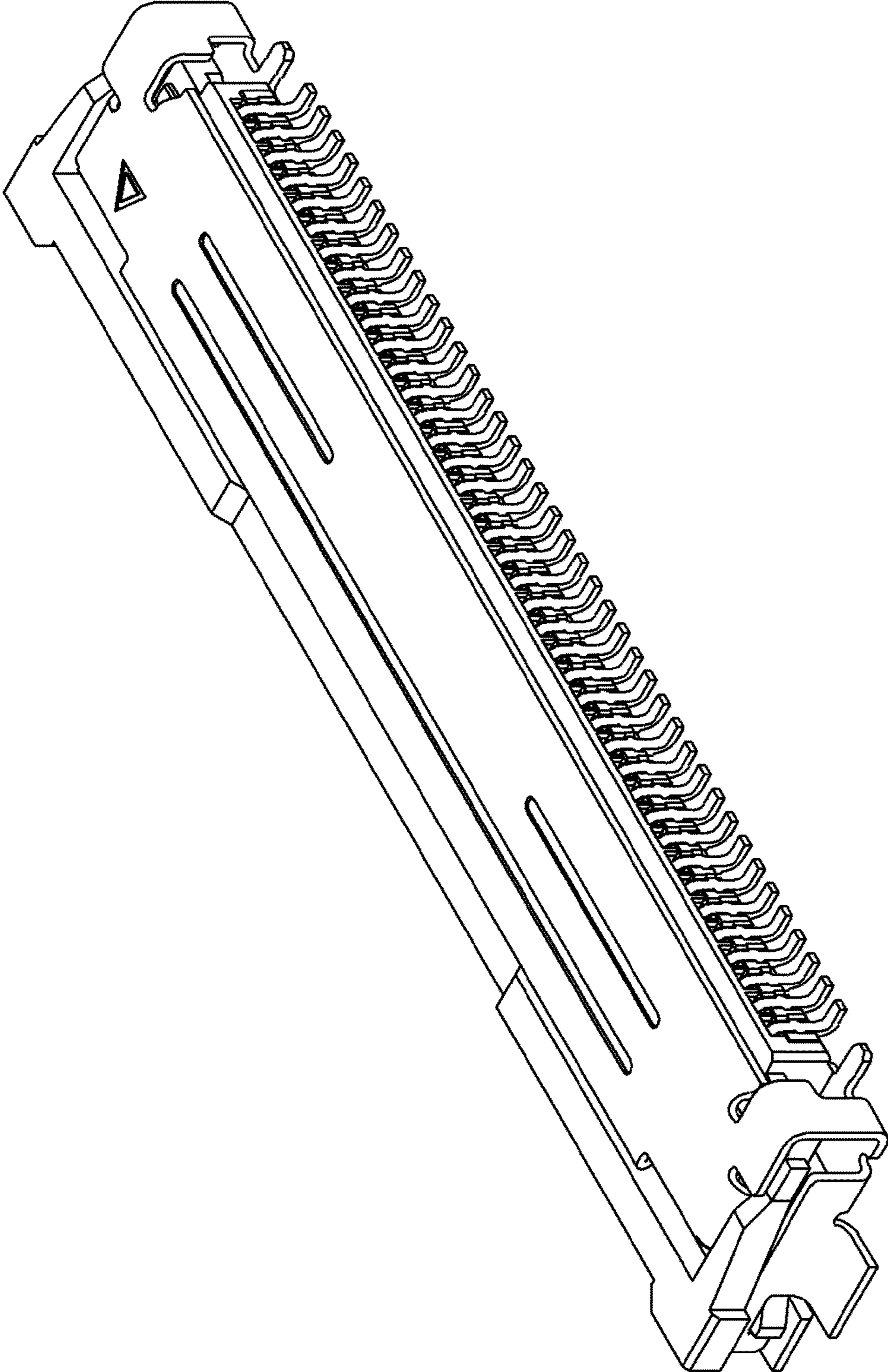


FIG.7



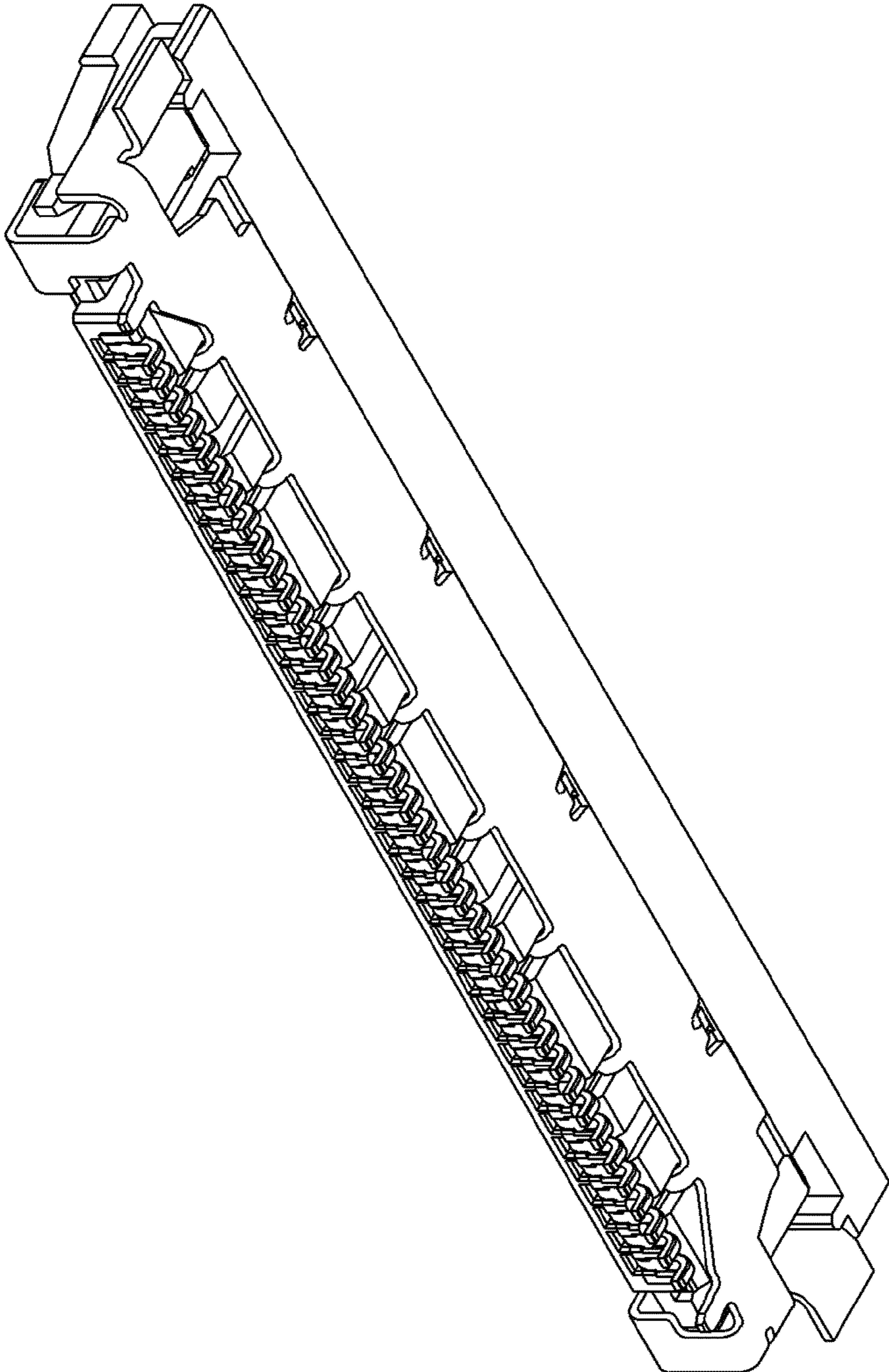


FIG. 8

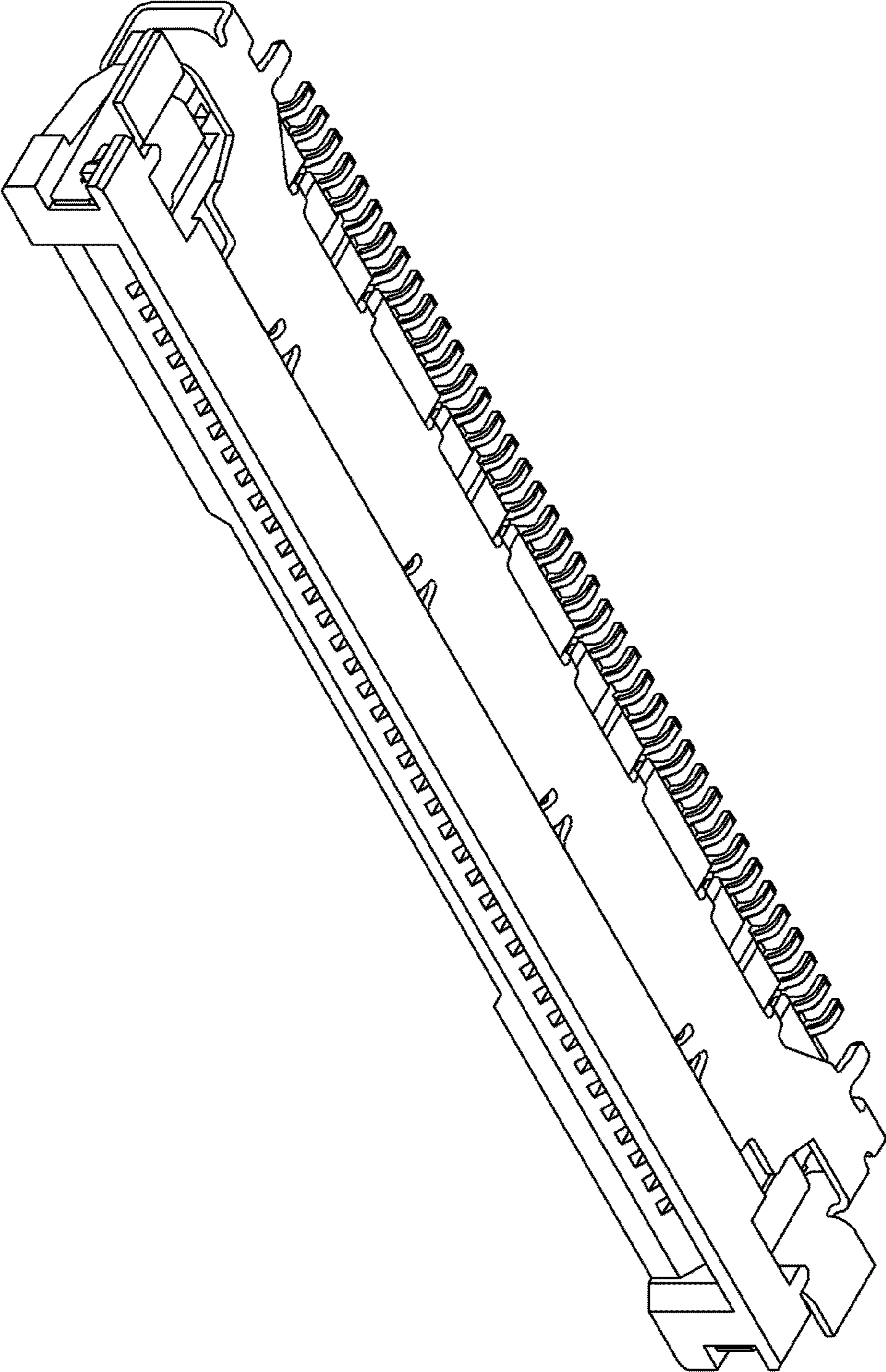


FIG. 9

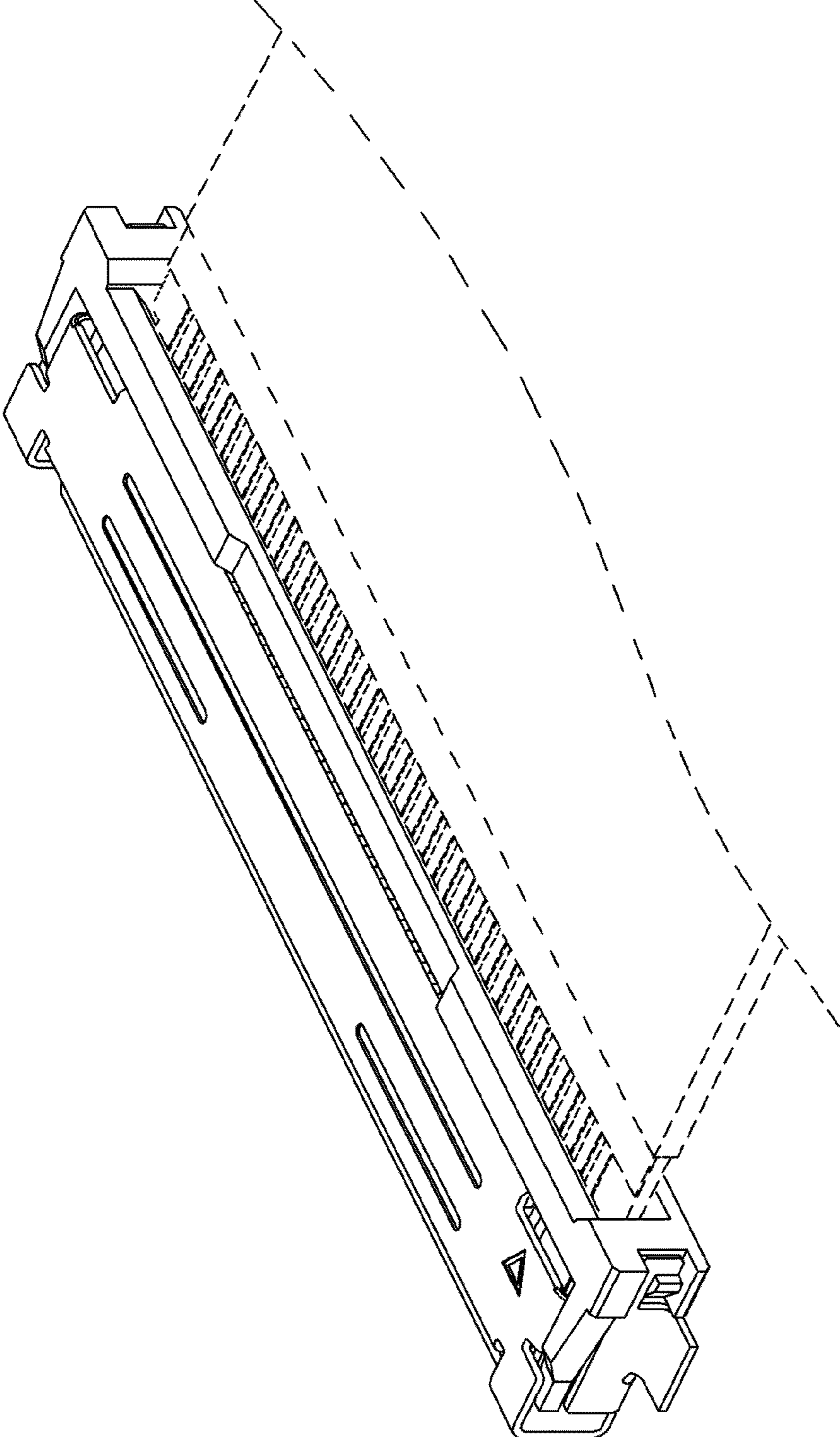


FIG.10