



US00D690269S

(12) **United States Design Patent**
Sasaki

(10) **Patent No.:** **US D690,269 S**

(45) **Date of Patent:** **** Sep. 24, 2013**

(54) **ELECTRICAL CONNECTOR**

(75) Inventor: **Daisuke Sasaki, Yao (JP)**

(73) Assignee: **Hosiden Corporation, Yao-shi (JP)**

(**) Term: **14 Years**

(21) Appl. No.: **29/414,704**

(22) Filed: **Mar. 2, 2012**

(30) **Foreign Application Priority Data**

Sep. 14, 2011 (JP) 2011-020897

(51) **LOC (9) Cl.** **13-03**

(52) **U.S. Cl.**
USPC **D13/147**

(58) **Field of Classification Search**
USPC D13/147, 154, 184, 199; 439/79,
439/108, 378, 567, 607.01, 607.04, 607.05,
439/607.17, 607.25, 607.34, 607.41, 607.53,
439/660, 668, 680

See application file for complete search history.

(56) **References Cited**

U.S. PATENT DOCUMENTS

D618,623 S *	6/2010	Peng	D13/147
D653,622 S *	2/2012	Wang et al.	D13/147
D660,244 S *	5/2012	Yudate	D13/147
D664,925 S *	8/2012	Yudate	D13/147
D664,926 S *	8/2012	Yudate	D13/147

* cited by examiner

Primary Examiner — Daniel Bui

(74) *Attorney, Agent, or Firm* — Kratz, Quintos & Hanson, LLP

(57) **CLAIM**

The ornamental design for an electrical connector, as shown and described.

DESCRIPTION

FIG. 1 is a front elevational view of an electrical connector showing my new invention;

FIG. 2 is a back elevational view thereof;

FIG. 3 is a top plan view thereof;

FIG. 4 is a bottom plan view thereof;

FIG. 5 is a right side elevational view, the left side elevational view being a mirror image thereof;

FIG. 6 is a top, front, and right side perspective view thereof;

FIG. 7 is a top, back, and left side perspective view thereof;

FIG. 8 is a bottom, front, and right side perspective view thereof;

FIG. 9 is a bottom, back and left side perspective view thereof; and,

FIG. 10 is a cross-sectional view thereof, taken along the line 10-10 in FIG. 3.

The broken line in the drawing views is included to show unclaimed environment only and forms no part of the claimed design.

1 Claim, 10 Drawing Sheets

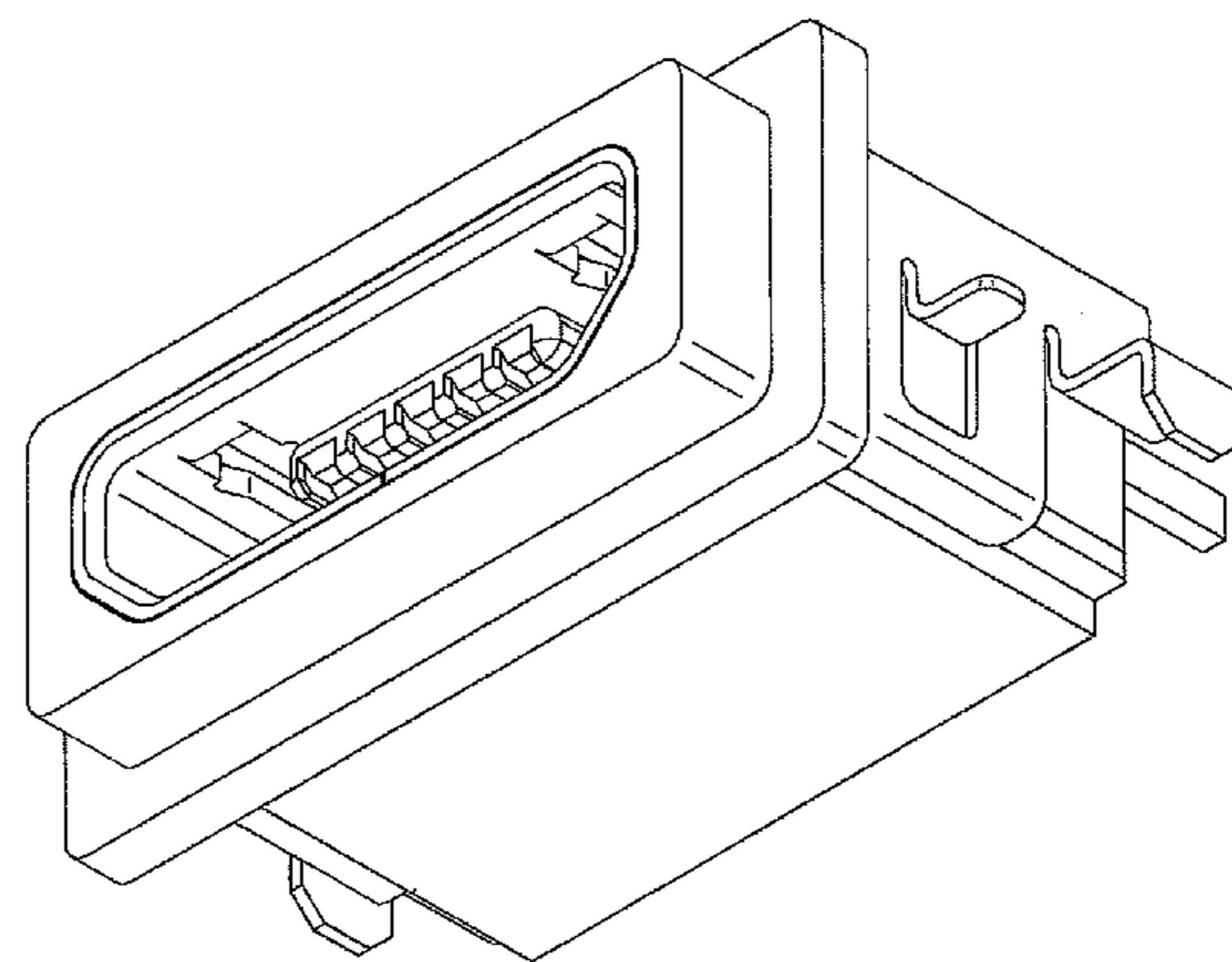
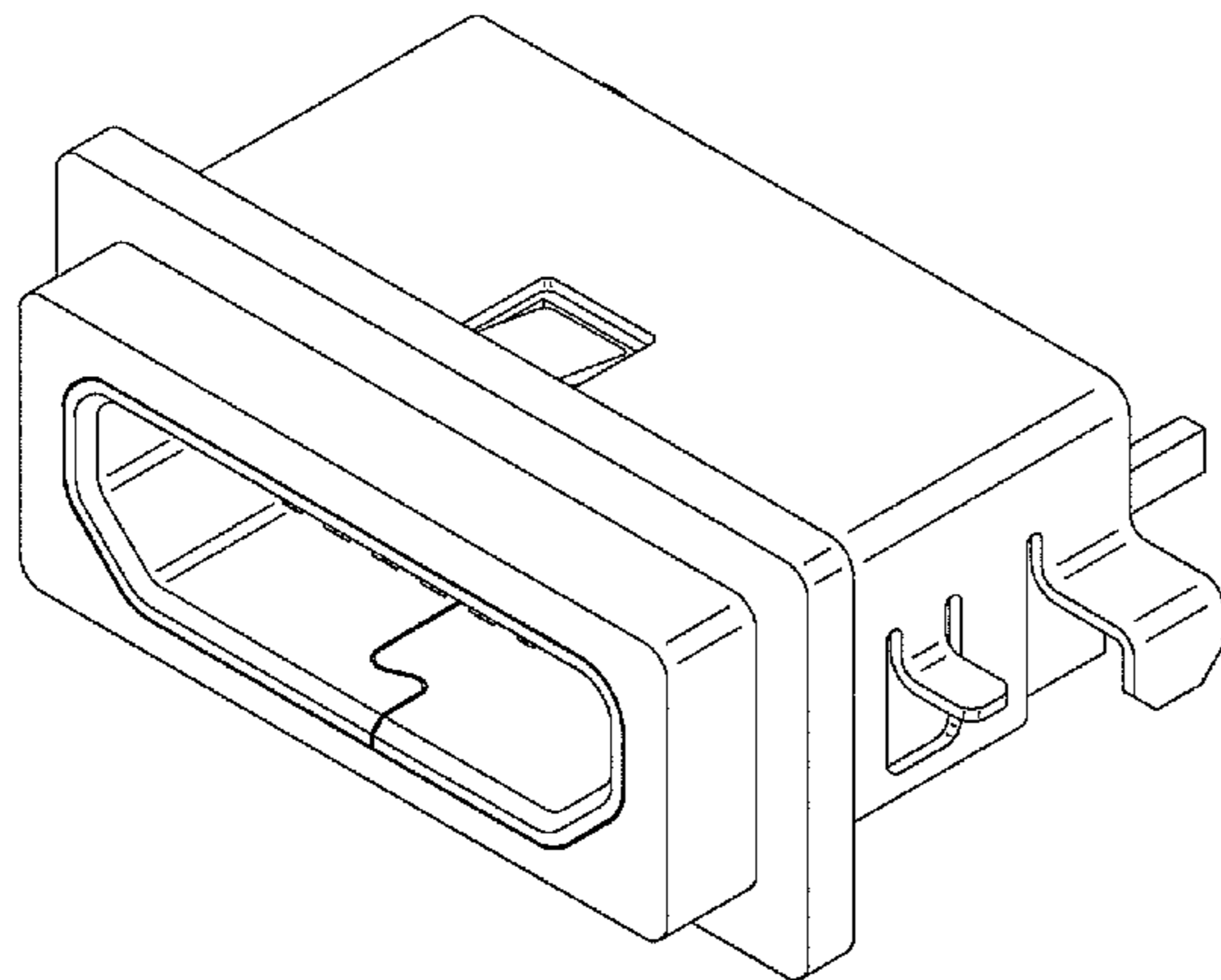


FIG. 1

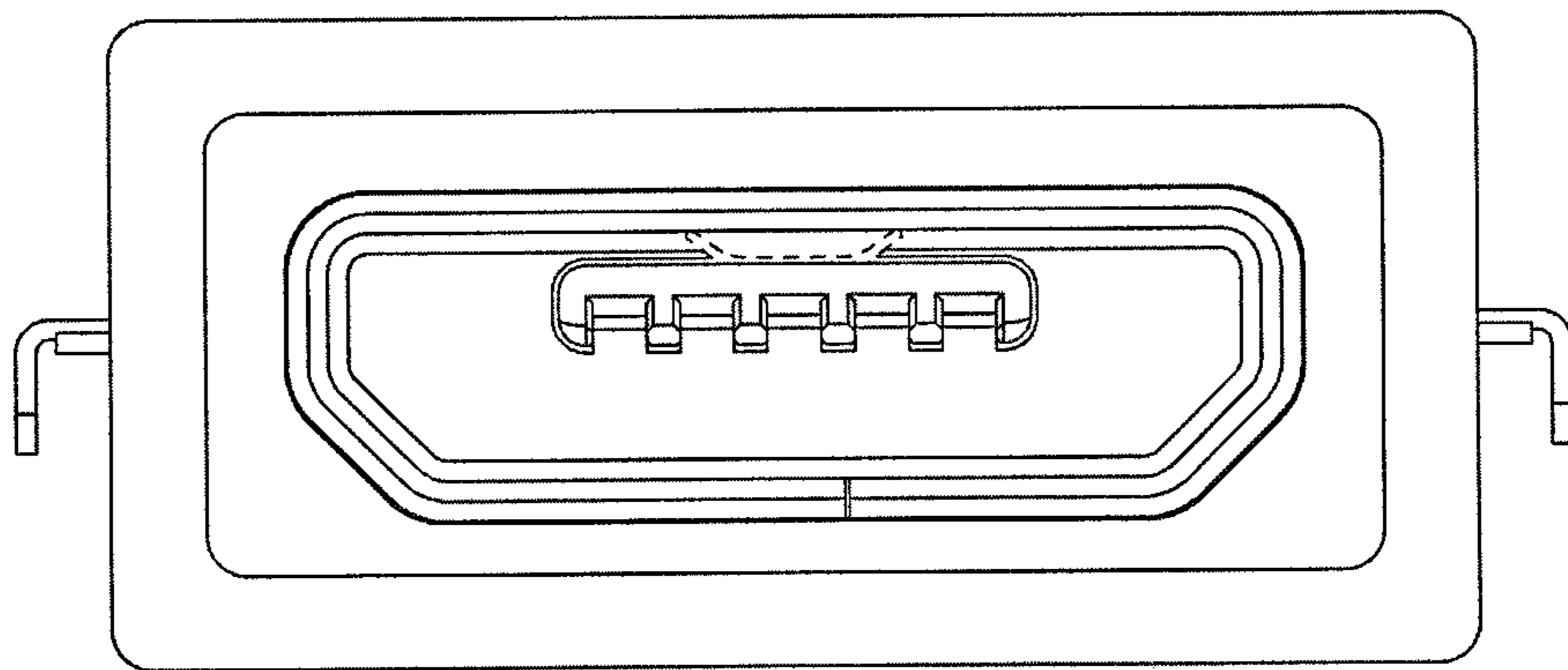


FIG. 2

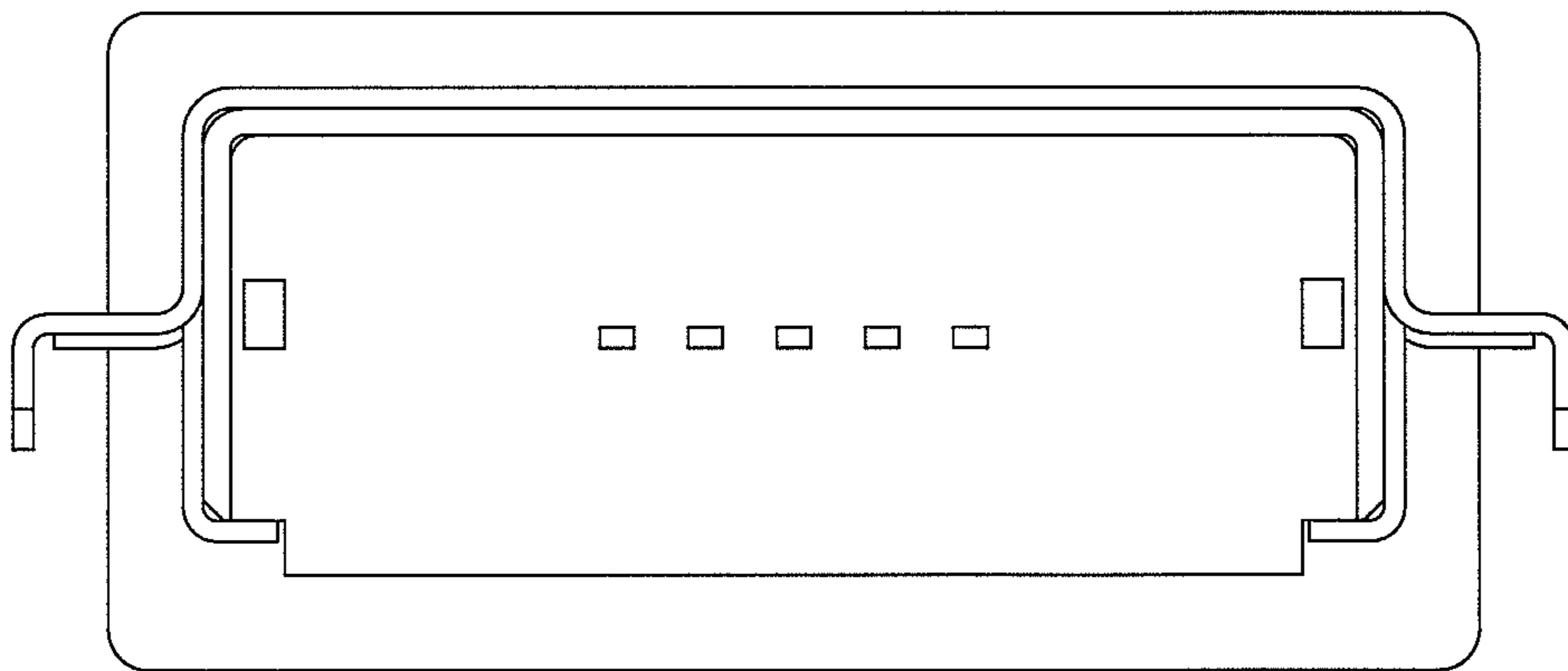


FIG. 3

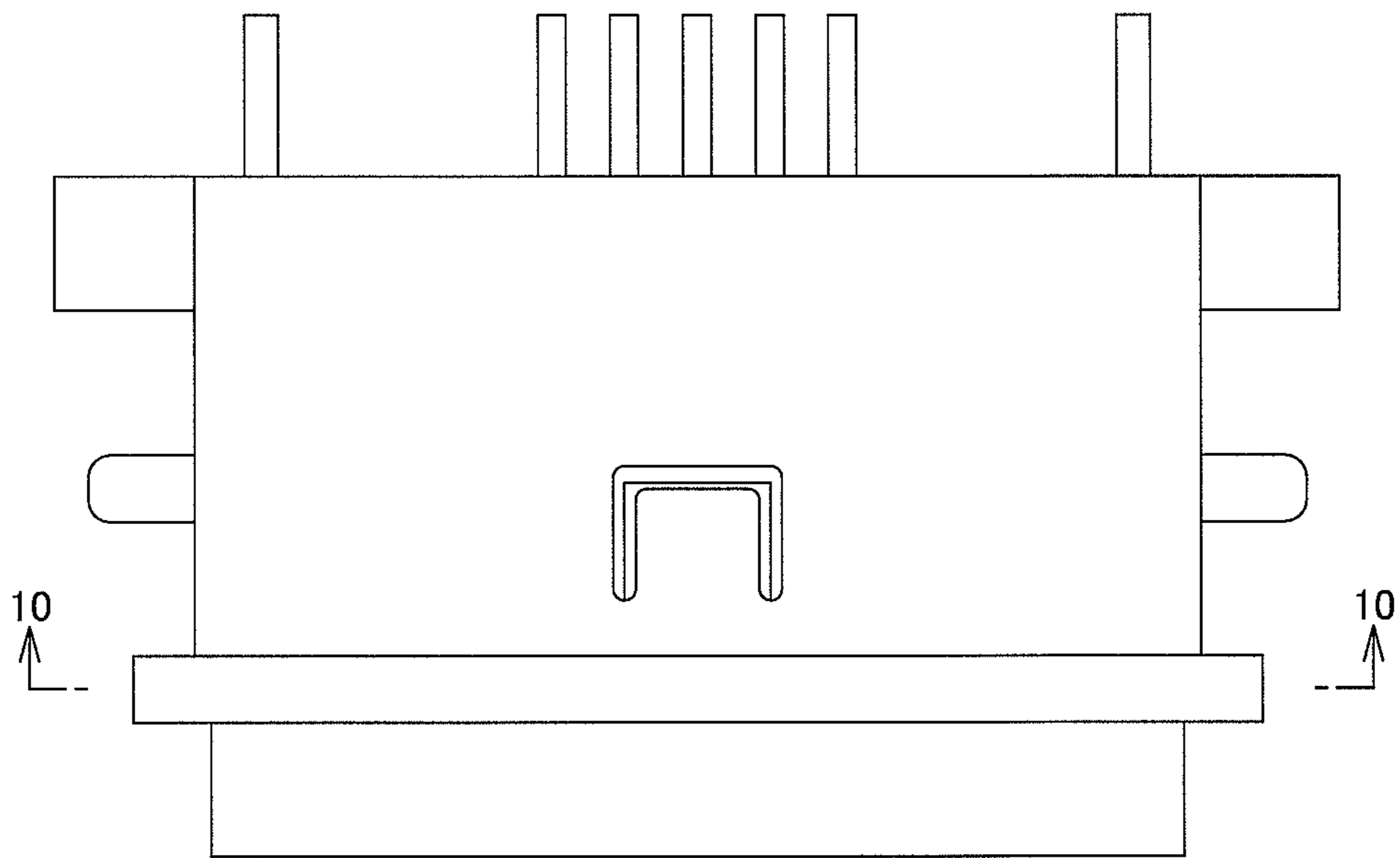


FIG. 4

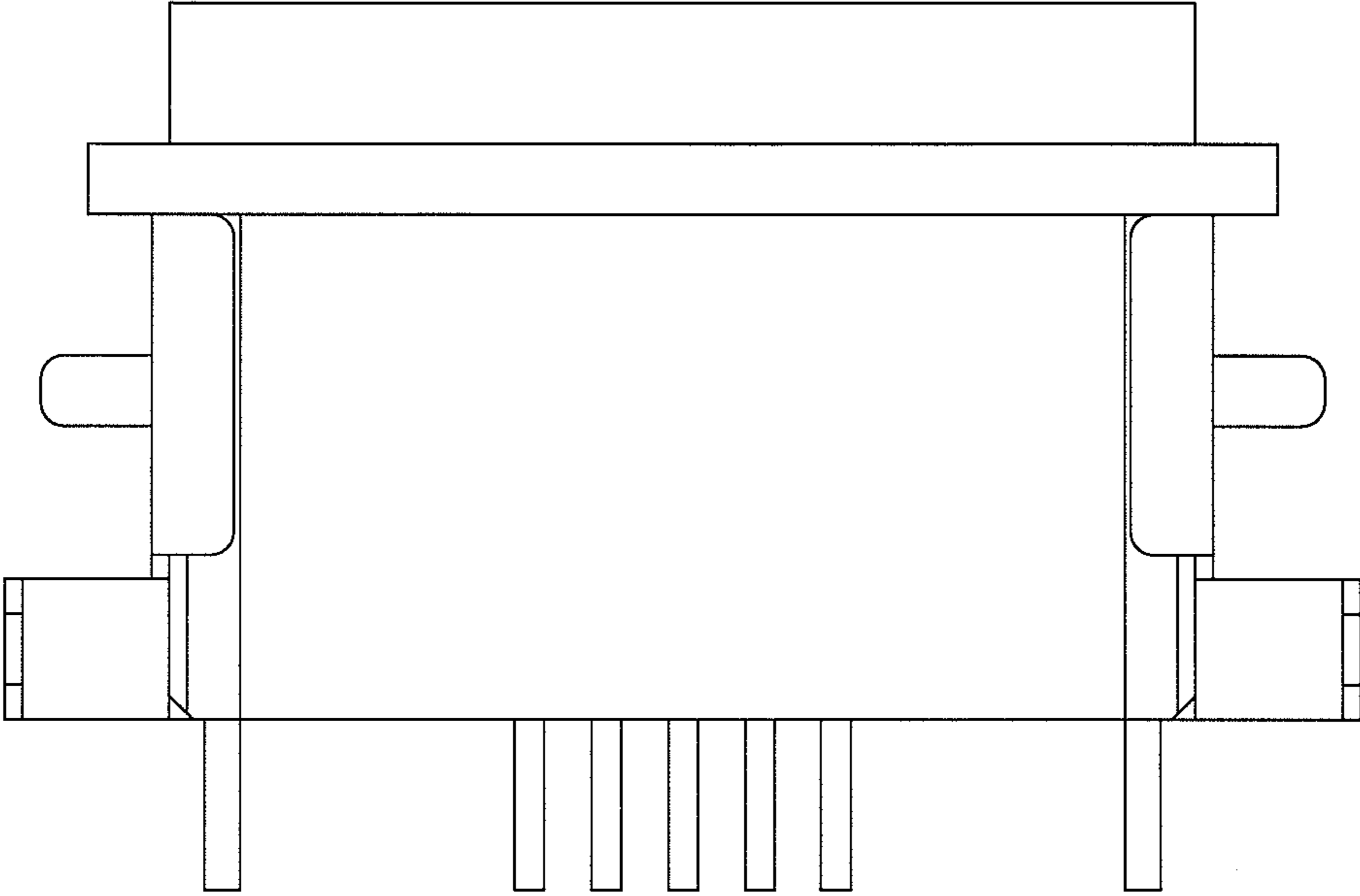


FIG. 5

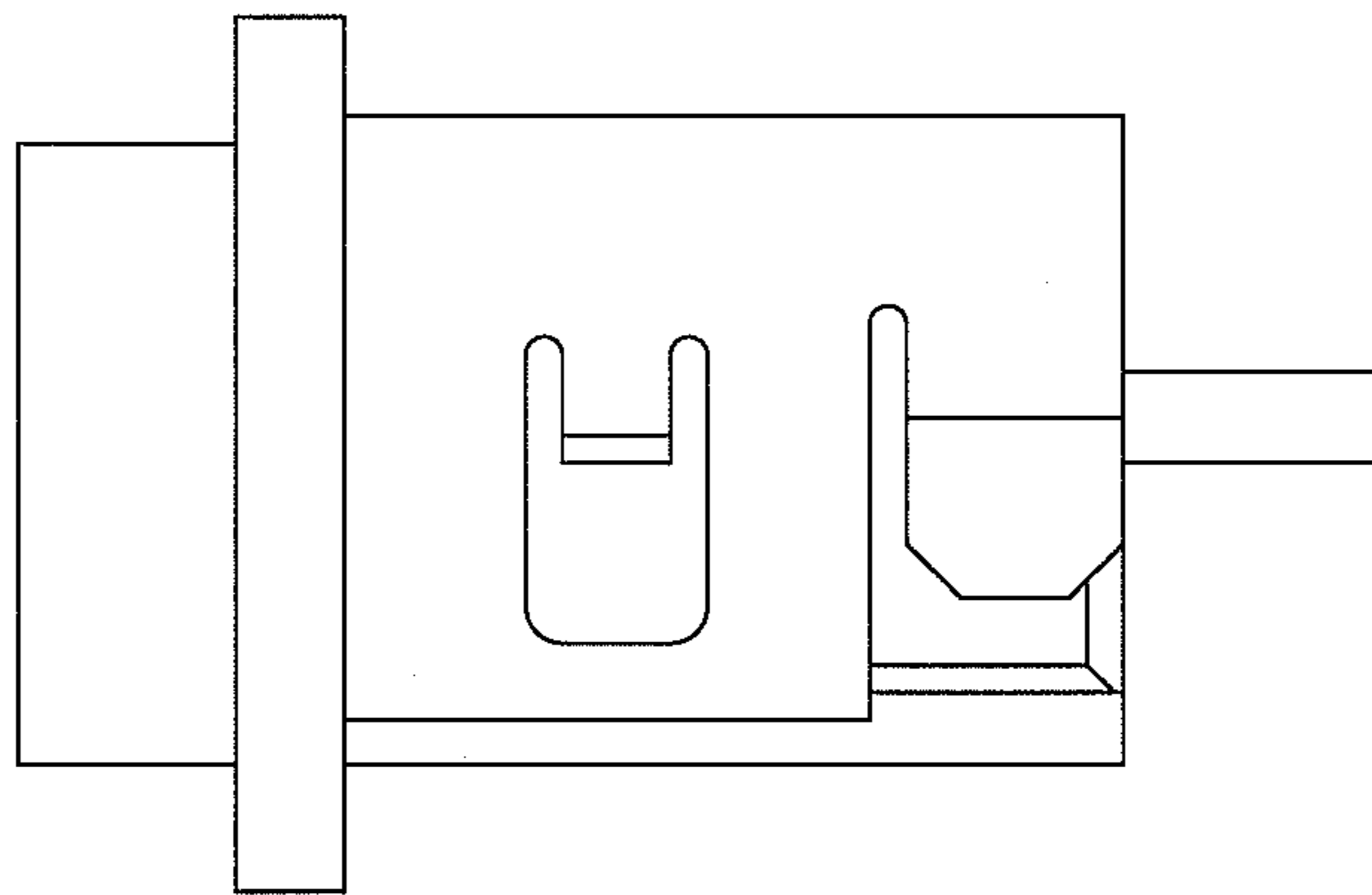


FIG. 6

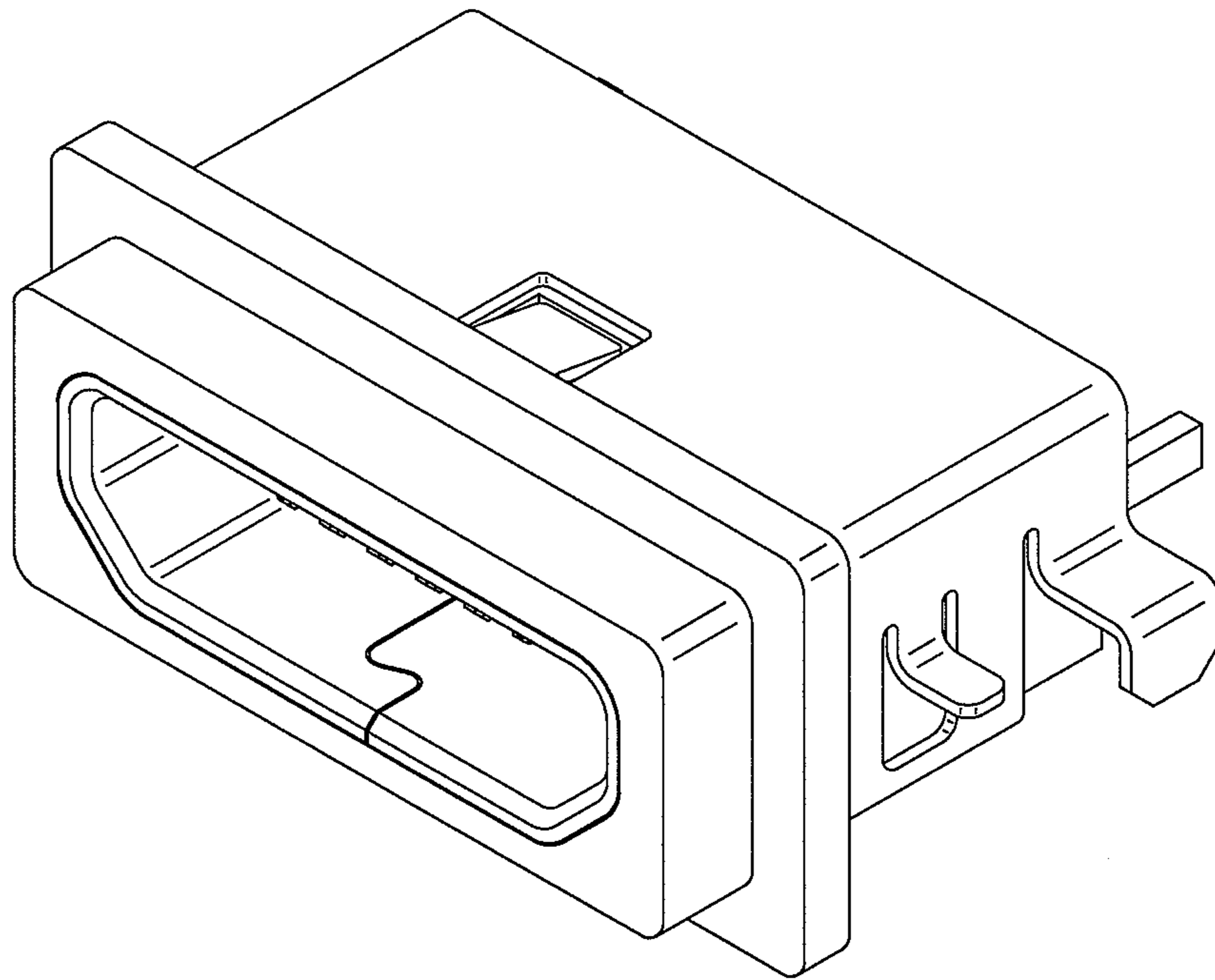


FIG. 7

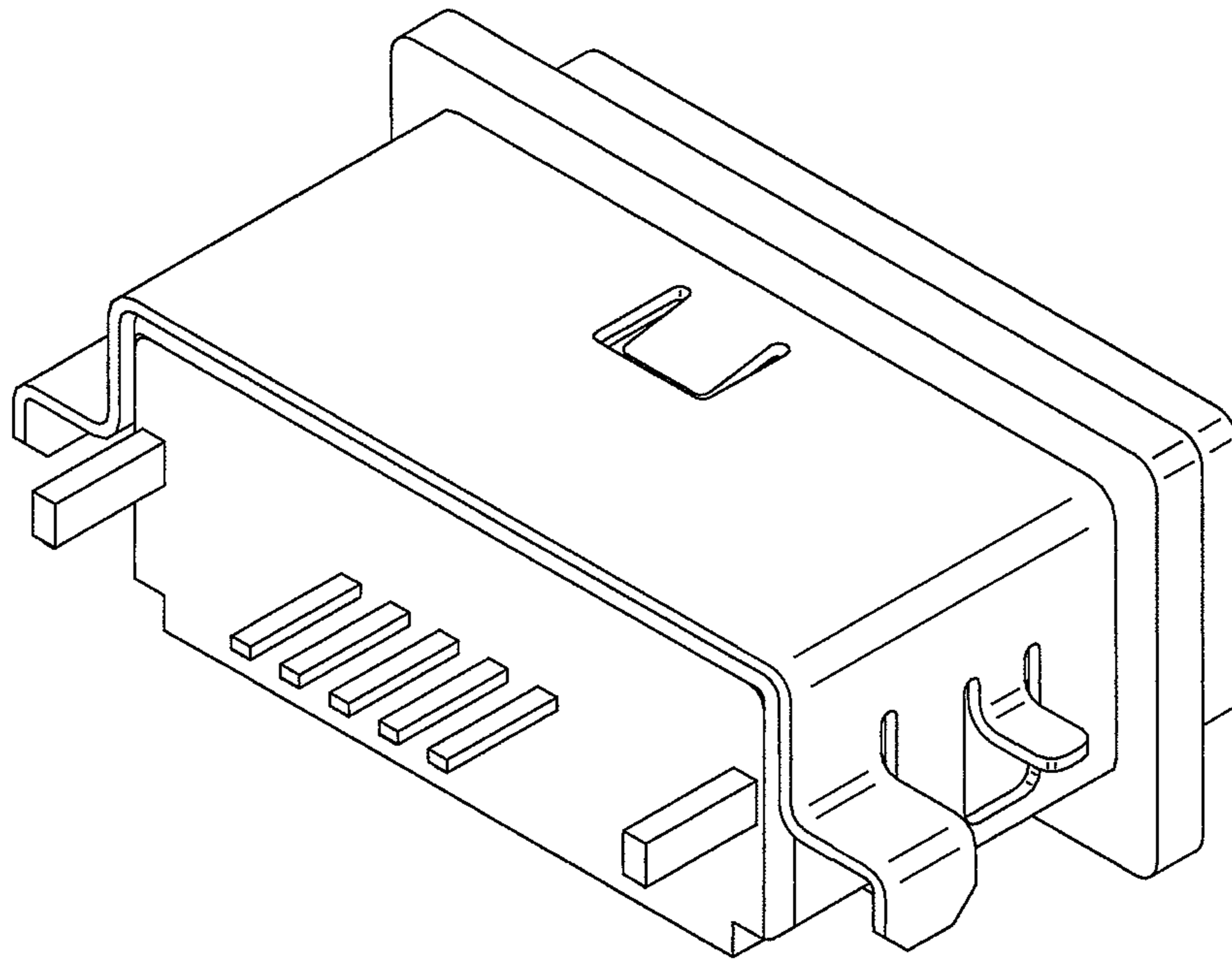


FIG. 8

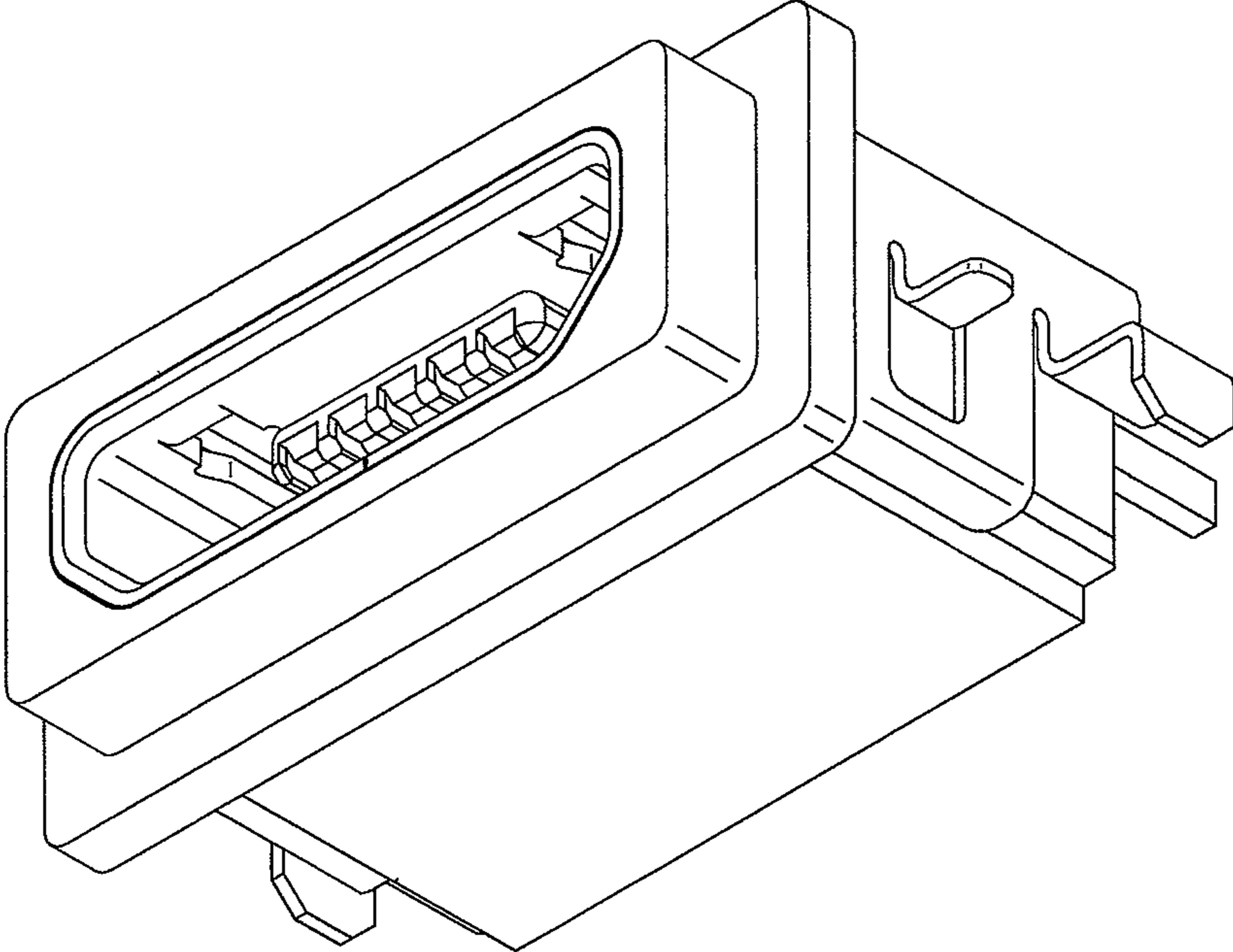


FIG. 9

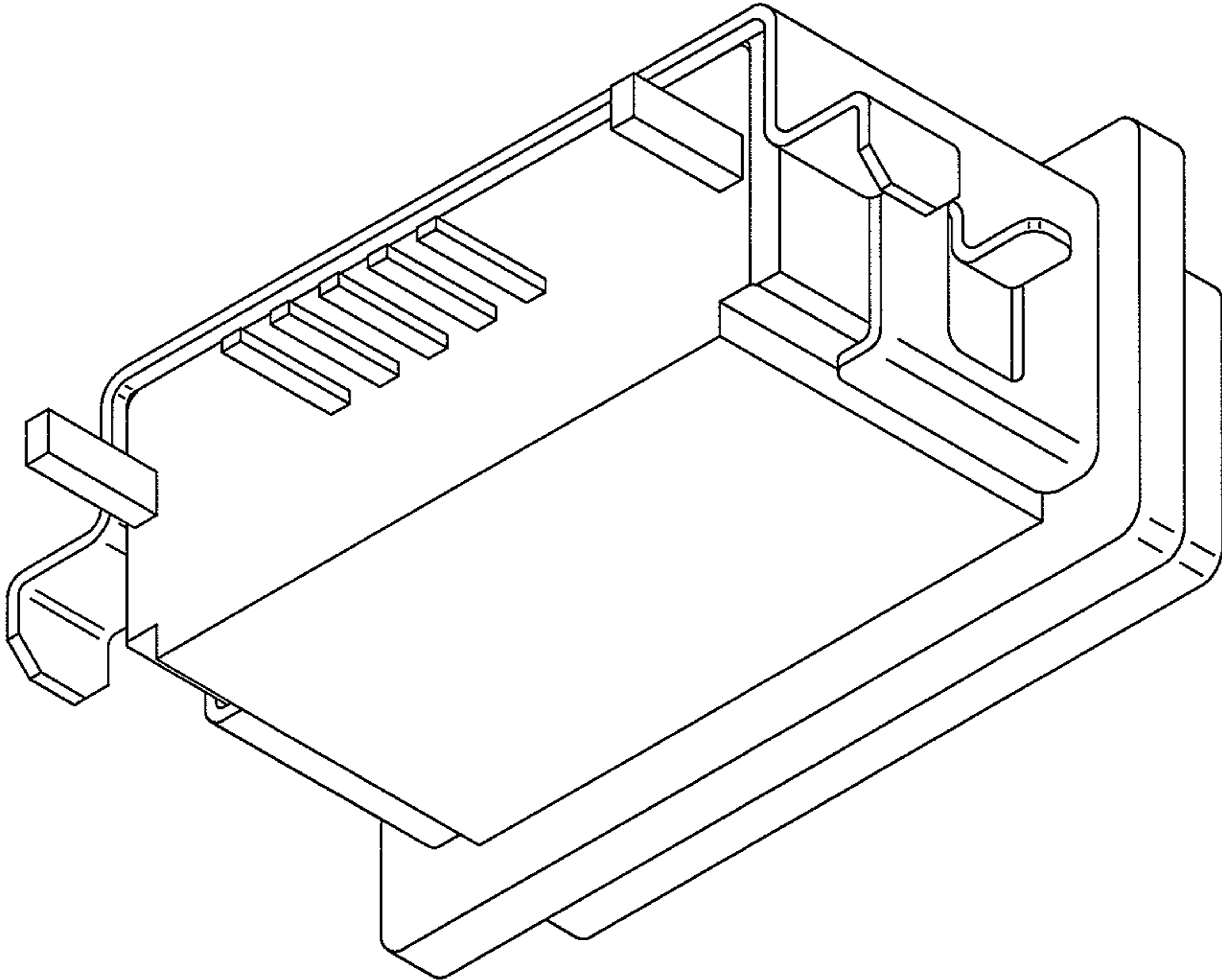


FIG. 10

