



US00D690268S

(12) **United States Design Patent**  
**Sasaki**

(10) **Patent No.:** **US D690,268 S**

(45) **Date of Patent:** **\*\* Sep. 24, 2013**

(54) **ELECTRICAL CONNECTOR**

(75) Inventor: **Daisuke Sasaki**, Yao (JP)

(73) Assignee: **Hosiden Corporation**, Yao-shi (JP)

(\*\*) Term: **14 Years**

(21) Appl. No.: **29/414,702**

(22) Filed: **Mar. 2, 2012**

(30) **Foreign Application Priority Data**

Sep. 14, 2011 (JP) ..... 2011-020896

(51) **LOC (9) Cl.** ..... **13-03**

(52) **U.S. Cl.**  
USPC ..... **D13/147**

(58) **Field of Classification Search**  
USPC ..... D13/147, 154, 184, 199; 439/79,  
439/108, 378, 567, 607.01, 607.04, 607.05,  
439/607.17, 607.25, 607.34, 607.41, 607.53,  
439/660, 668, 680  
See application file for complete search history.

(56) **References Cited**

**U.S. PATENT DOCUMENTS**

D618,623 S *	6/2010	Peng	.....	D13/147
D653,622 S *	2/2012	Wang et al.	.....	D13/147
D660,244 S *	5/2012	Yudate	.....	D13/147
D664,925 S *	8/2012	Yudate	.....	D13/147
D664,926 S *	8/2012	Yudate	.....	D13/147

\* cited by examiner

*Primary Examiner* — Daniel Bui

(74) *Attorney, Agent, or Firm* — Kratz, Quintos & Hanson, LLP

(57) **CLAIM**

The ornamental design for an electrical connector, as shown and described.

**DESCRIPTION**

FIG. 1 is a front elevational view of an electrical connector showing my new invention;  
FIG. 2 is a back elevational view thereof;  
FIG. 3 is a top plan view thereof;  
FIG. 4 is a bottom plan view thereof;  
FIG. 5 is a right side elevational view, the left side elevational view being a mirror image thereof;  
FIG. 6 is a top, front, and right side perspective view thereof;  
FIG. 7 is a top, back, and left side perspective view thereof;  
FIG. 8 is a bottom, front, and right side perspective view thereof;  
FIG. 9 is a bottom, back and left side perspective view thereof; and,  
FIG. 10 is a cross-sectional view thereof, taken along the line 10-10 in FIG. 3.

The broken line in the drawing views is included to show unclaimed environment only and forms no part of the claimed design.

**1 Claim, 10 Drawing Sheets**

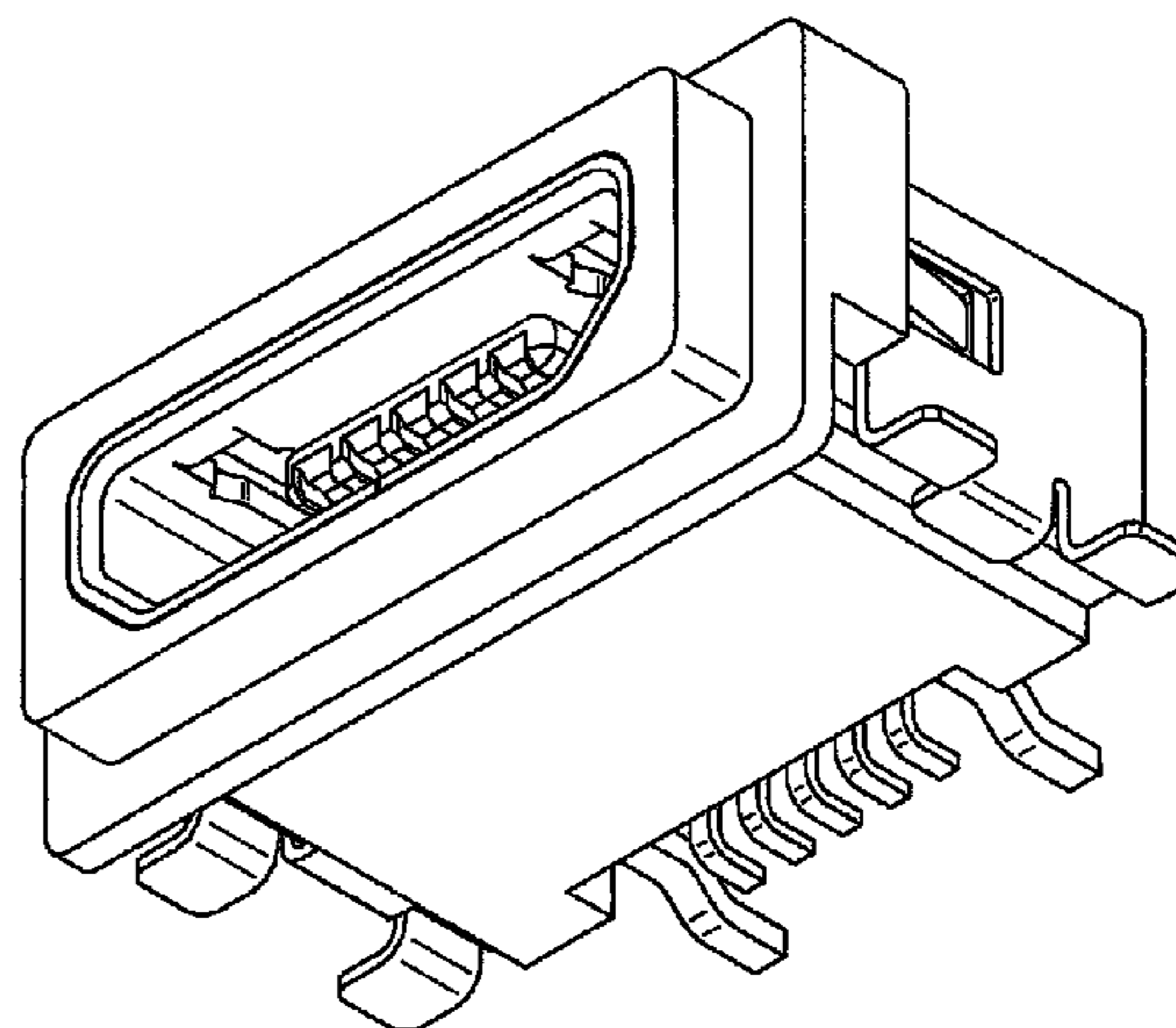
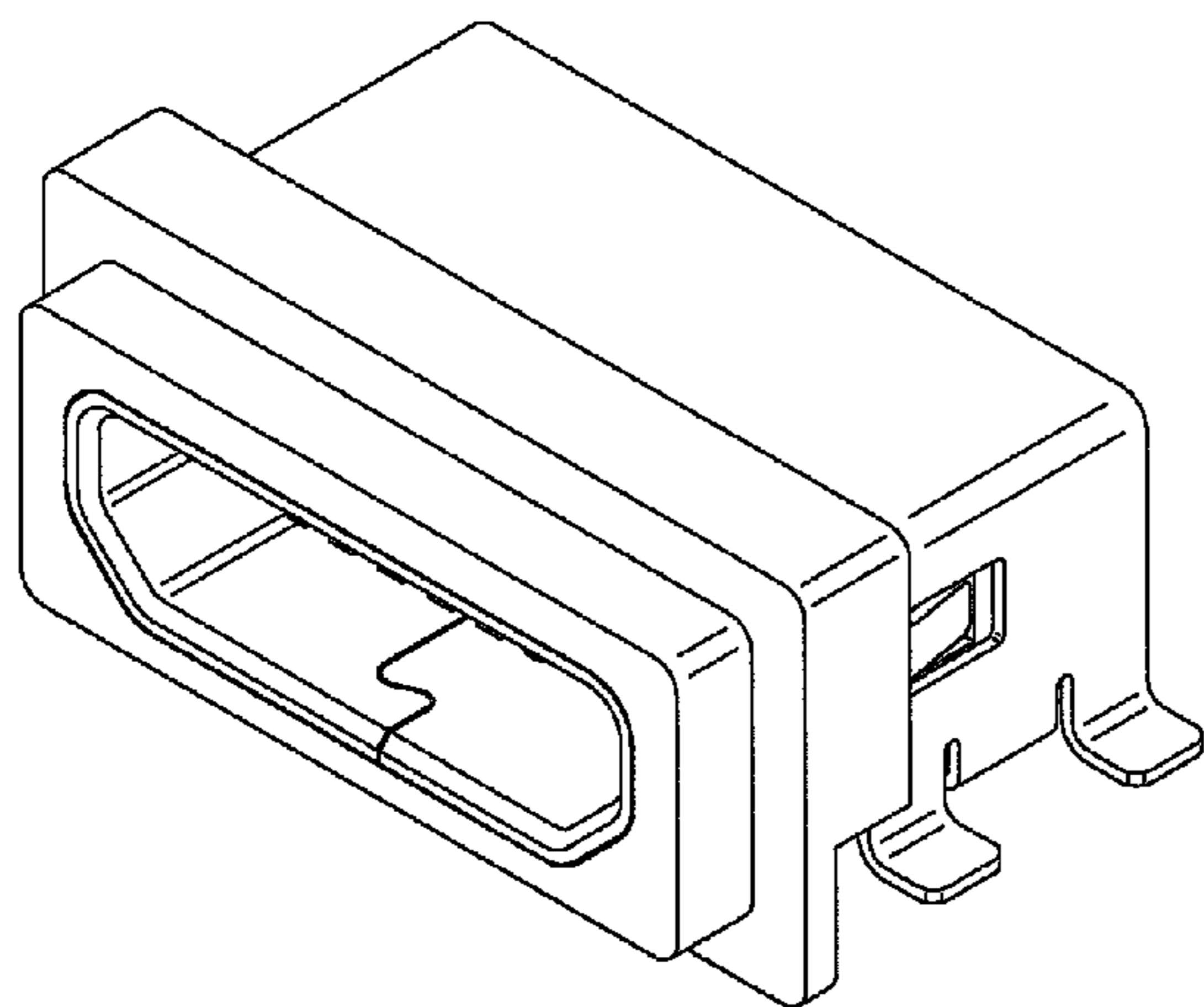


FIG. 1

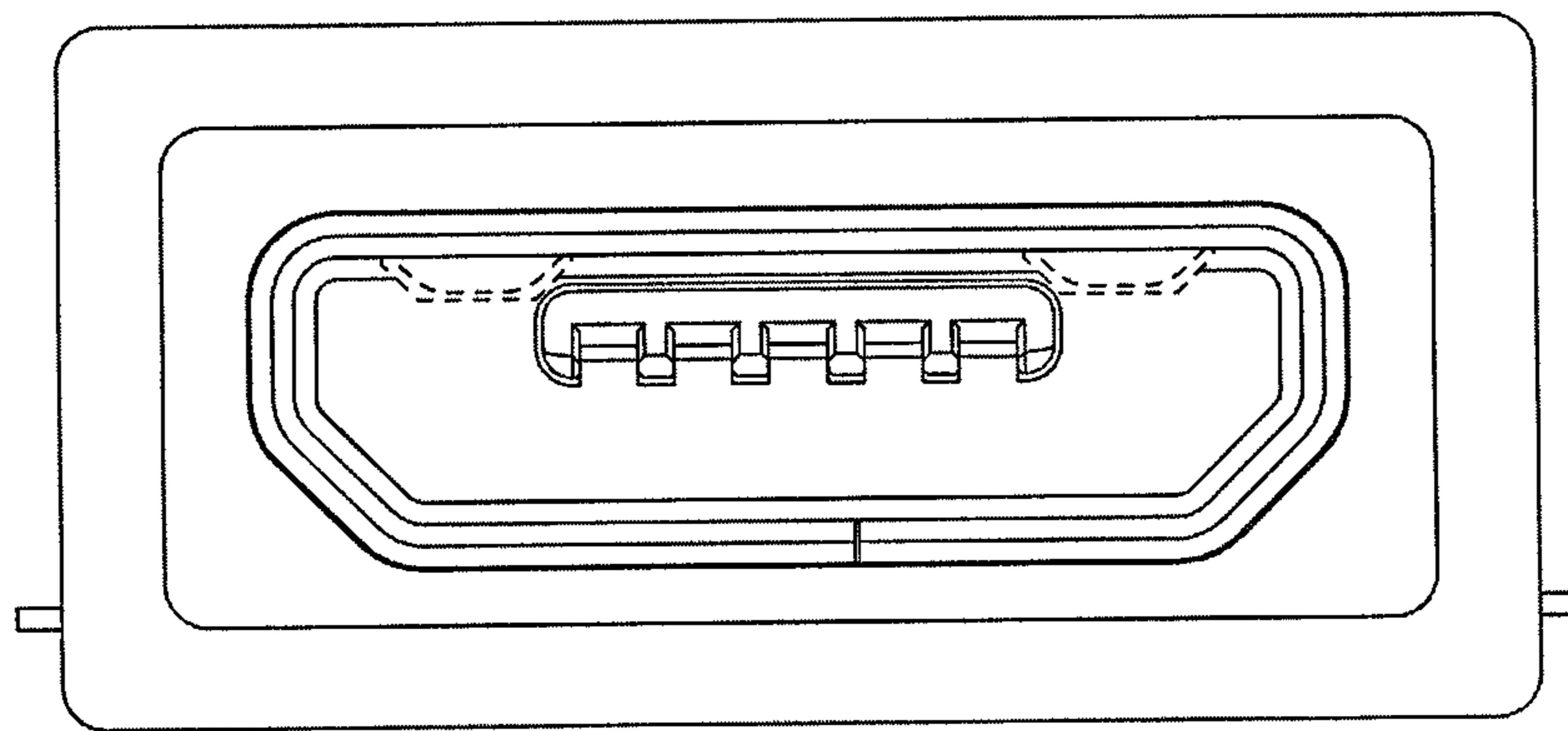


FIG. 2

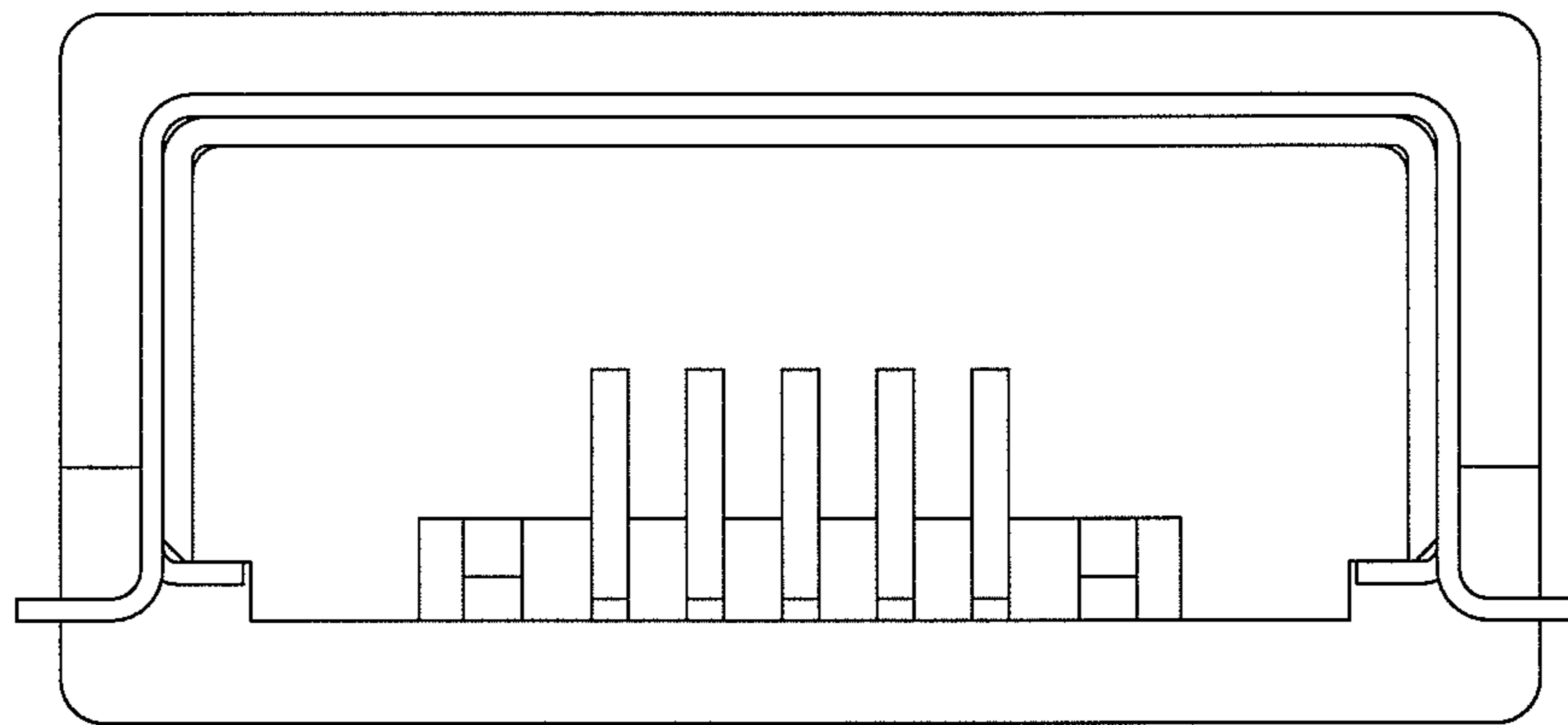


FIG. 3

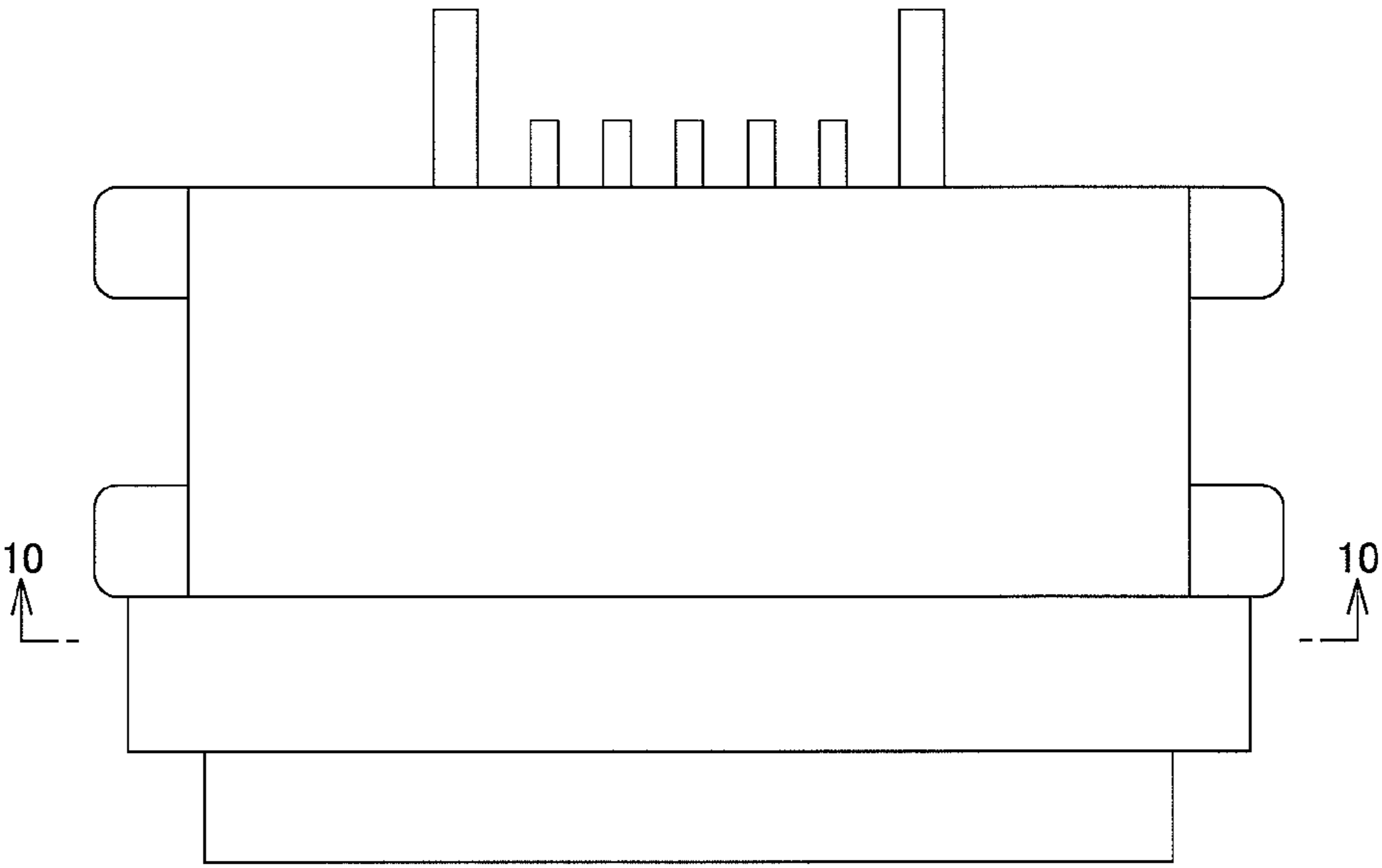


FIG. 4

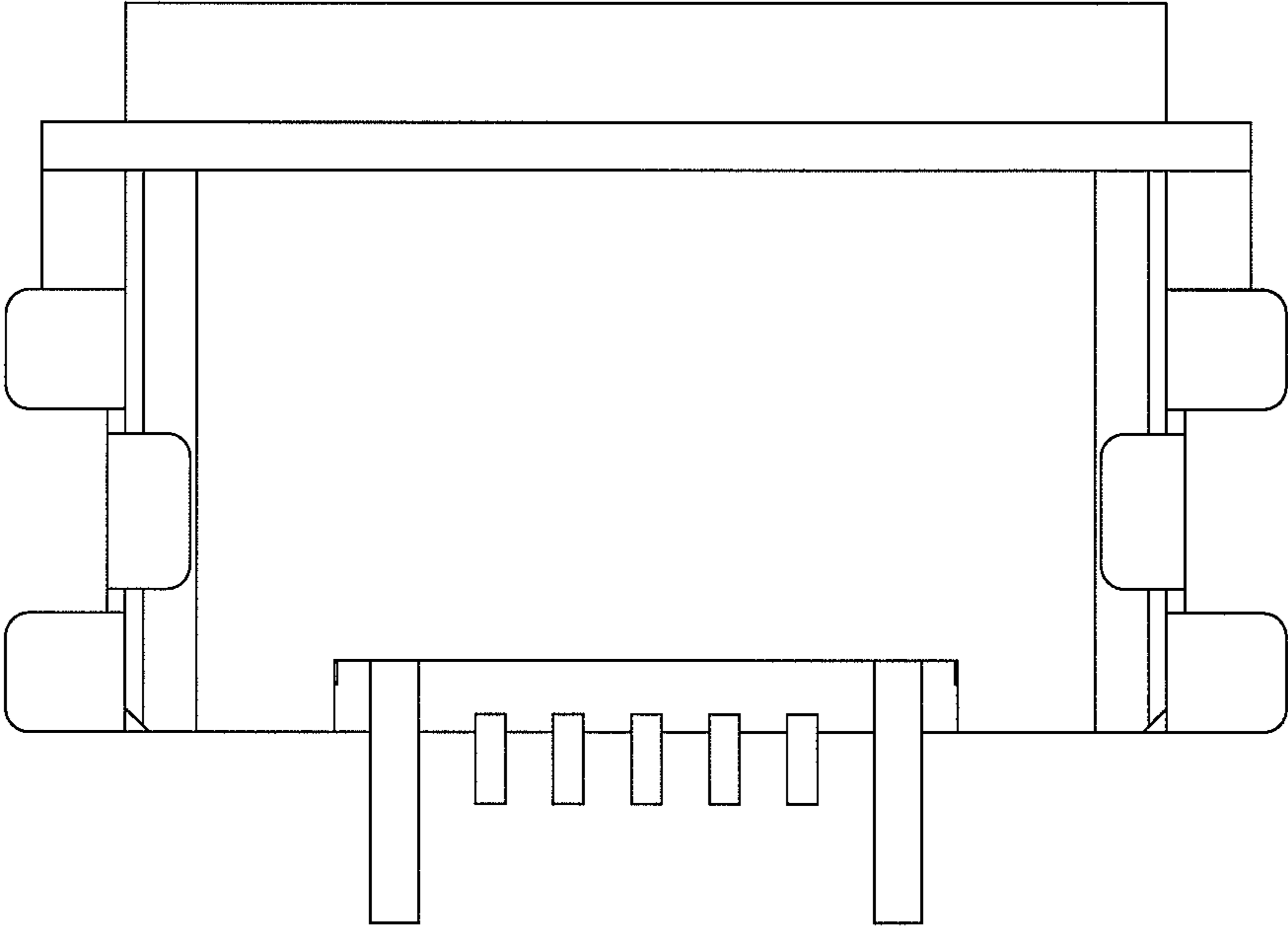


FIG. 5

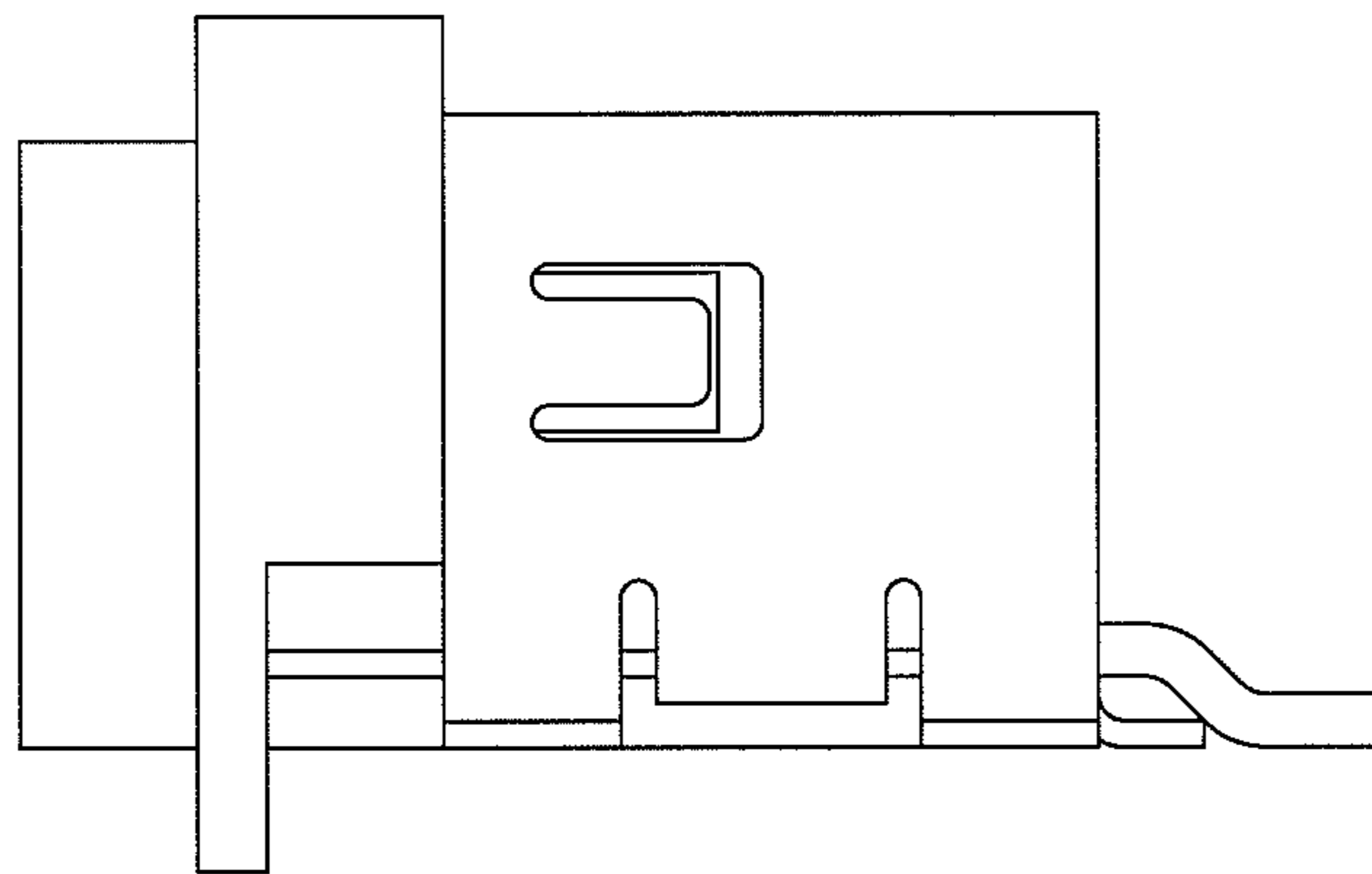


FIG. 6

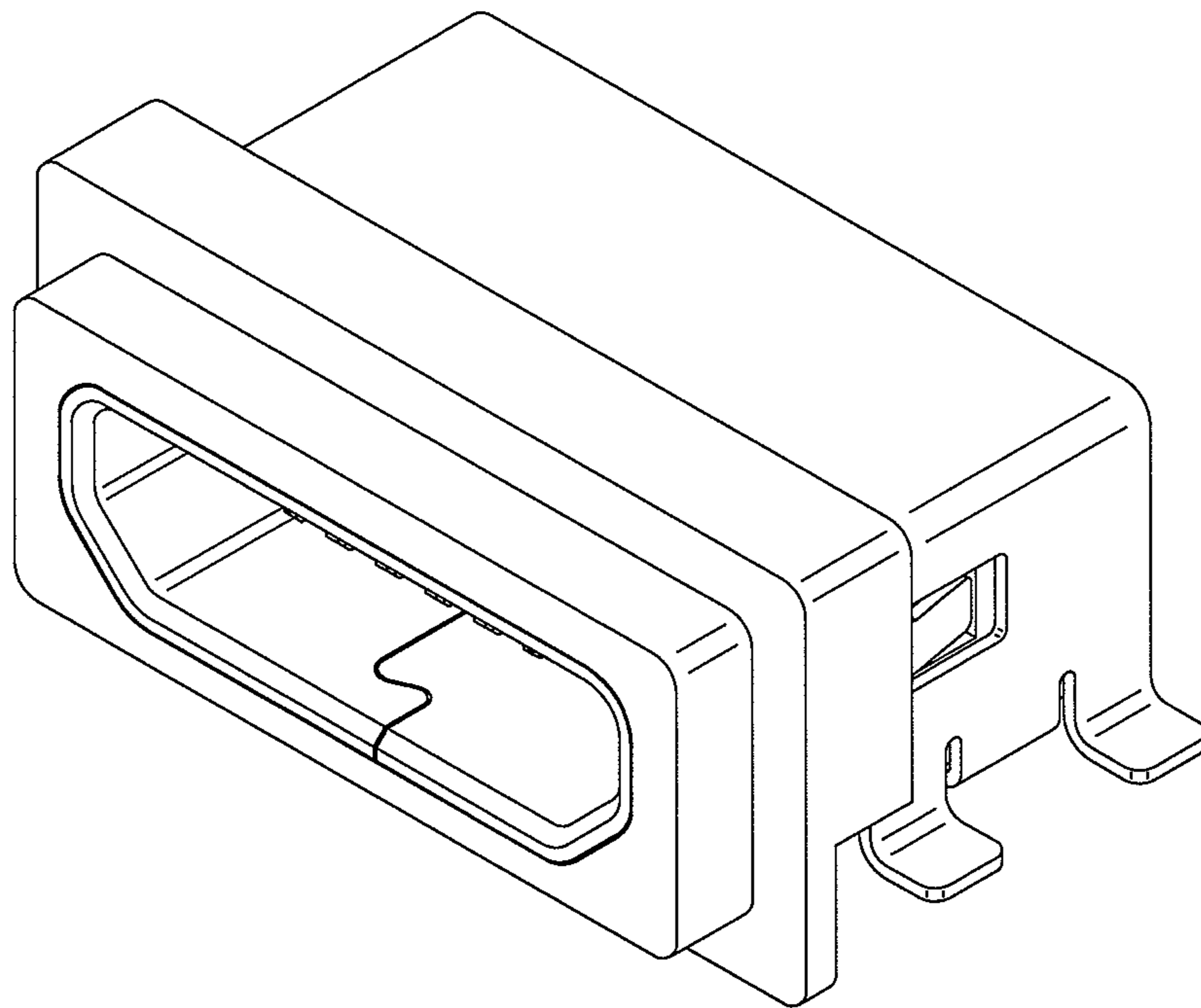


FIG. 7

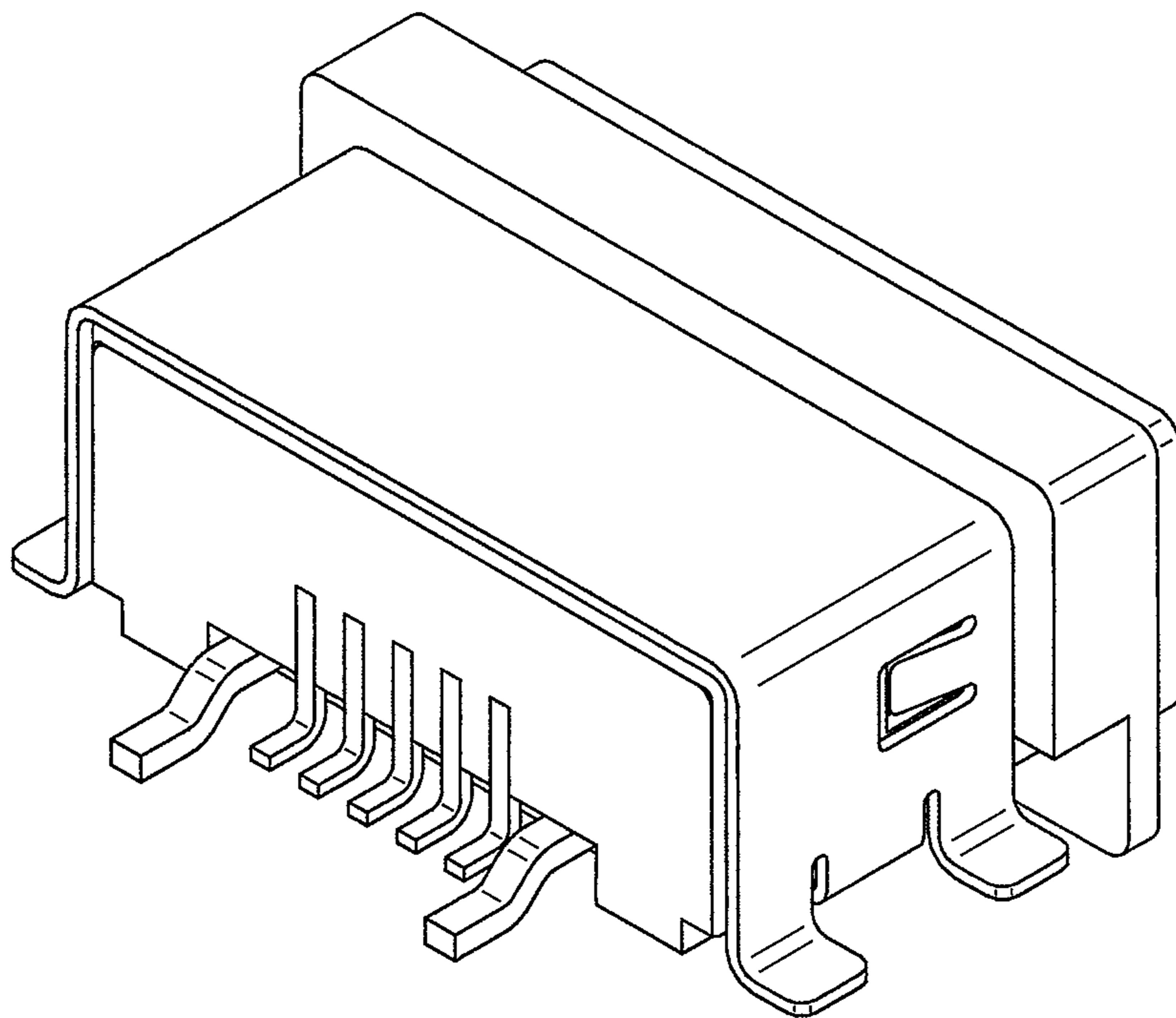




FIG. 8

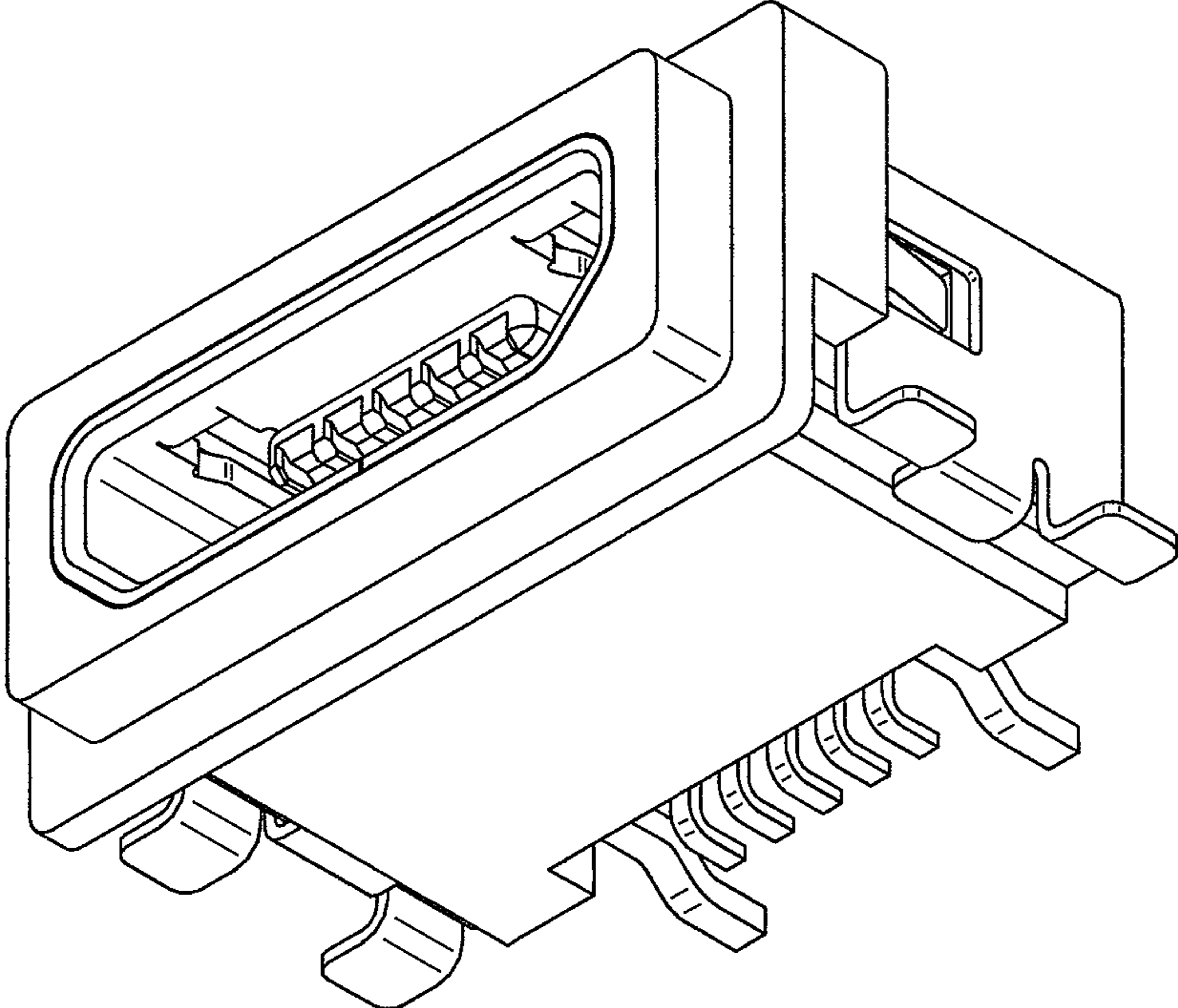


FIG. 9

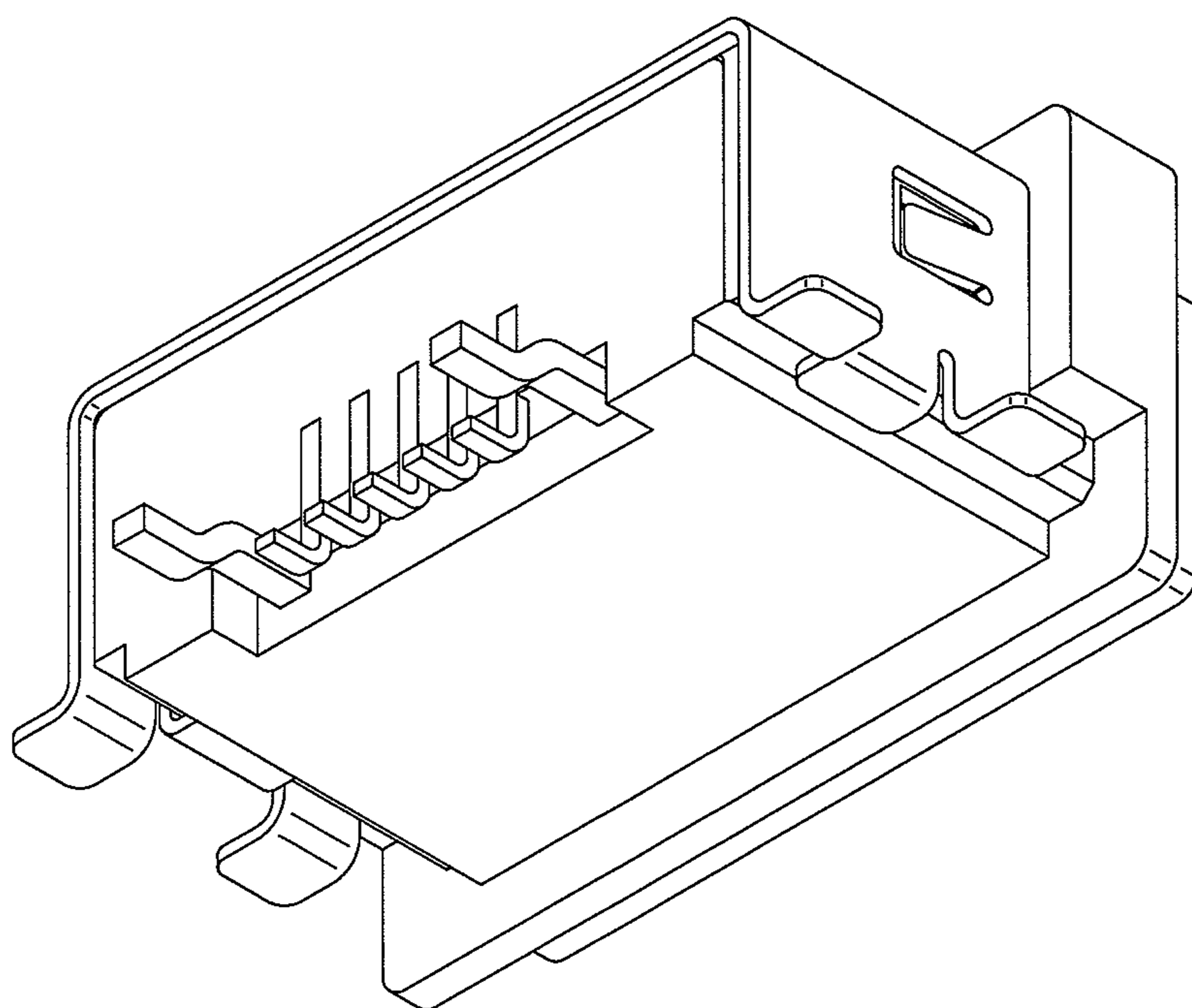


FIG. 10

