



US00D690267S

(12) **United States Design Patent**  
**Price et al.**

(10) **Patent No.:** **US D690,267 S**

(45) **Date of Patent:** **\*\* Sep. 24, 2013**

(54) **ELECTRICAL CONNECTOR ADAPTER**

(75) Inventors: **Daniel W. Price**, Loveland, OH (US);  
**William E. Clem**, Bozeman, MT (US);  
**Matthew C. Miller**, Cincinnati, OH  
(US); **Cory G. Kimball**, Cincinnati, OH  
(US); **Brennan G. McCabe**, Cincinnati,  
OH (US); **Jeffrey D. Messerly**,  
Cincinnati, OH (US); **Shawn C. Snyder**,  
Greendale, IN (US)

(73) Assignee: **Ethicon Endo-Surgery, Inc.**, Cincinnati,  
OH (US)

(\*\*) Term: **14 Years**

(21) Appl. No.: **29/392,152**

(22) Filed: **May 18, 2011**

(51) **LOC (9) Cl.** ..... **13-03**

(52) **U.S. Cl.**  
USPC ..... **D13/147**

(58) **Field of Classification Search**  
USPC ..... D13/107, 133, 146, 147, 154, 184,  
D13/199; 439/180, 246, 252, 278, 314-322,  
439/374, 378, 380, 381, 527, 529, 530, 533,  
439/578, 584-585, 668, 680, 892, 894  
See application file for complete search history.

(56) **References Cited**

**U.S. PATENT DOCUMENTS**

D265,189 S \* 6/1982 Eriksson et al. .... D10/114.1  
4,915,643 A \* 4/1990 Samejima et al. .... 439/357  
D381,628 S \* 7/1997 Ashida ..... D13/147

D412,883 S \* 8/1999 Nakazawa ..... D13/146  
D447,465 S \* 9/2001 Arai ..... D13/147  
D644,184 S \* 8/2011 Gilibert ..... D13/147  
D644,609 S \* 9/2011 Marroquin ..... D13/147

**OTHER PUBLICATIONS**

Ethicon Endo-Surgery, Inc., "Advancing Smooth Surgery, Harmonic," DSL #04-11041, Brochure, pp. 1-2, Nov. 2004.

\* cited by examiner

*Primary Examiner* — Daniel Bui

(74) *Attorney, Agent, or Firm* — Verne E. Kreger, Jr.

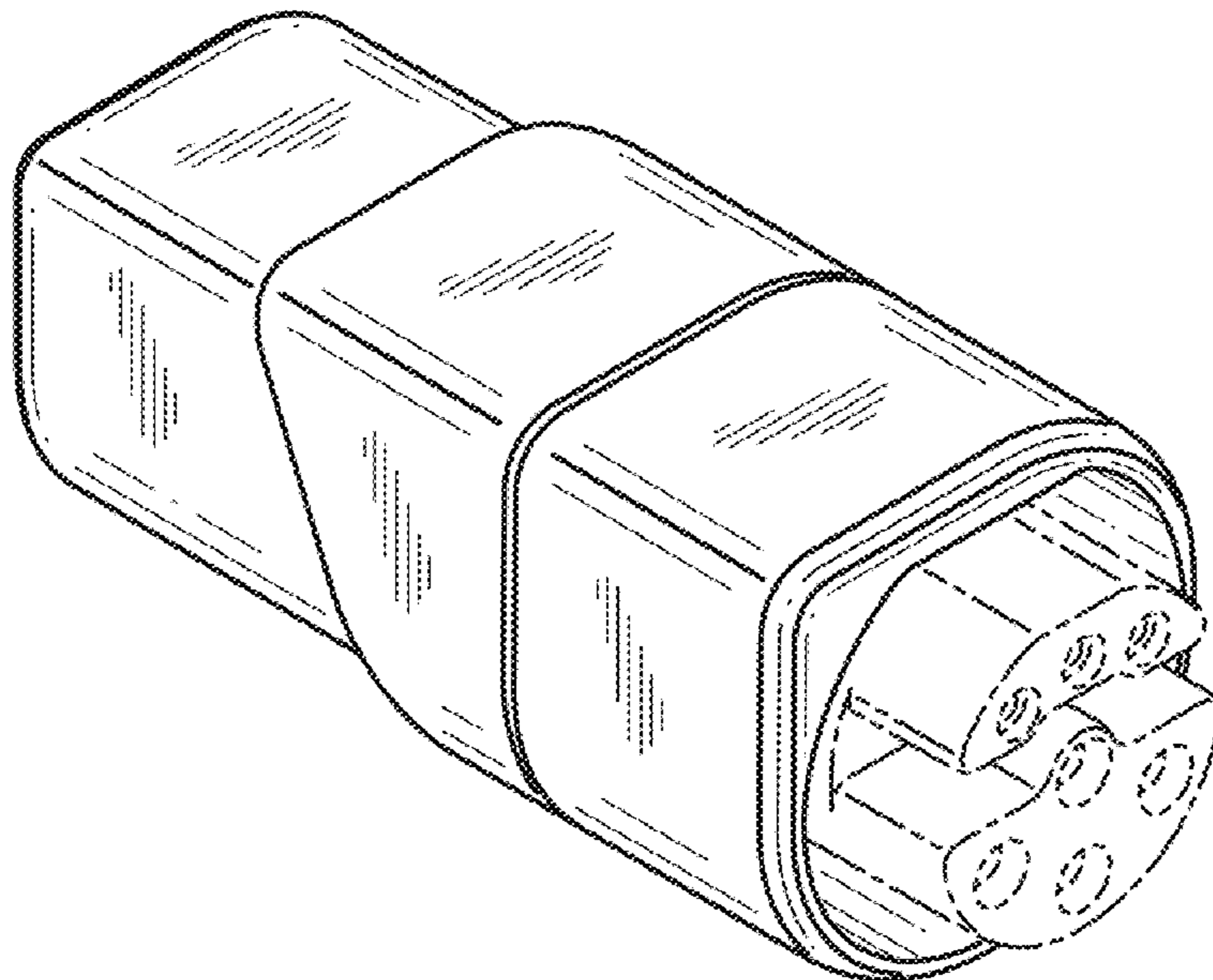
(57) **CLAIM**

The ornamental design for an electrical connector adapter, as shown and described.

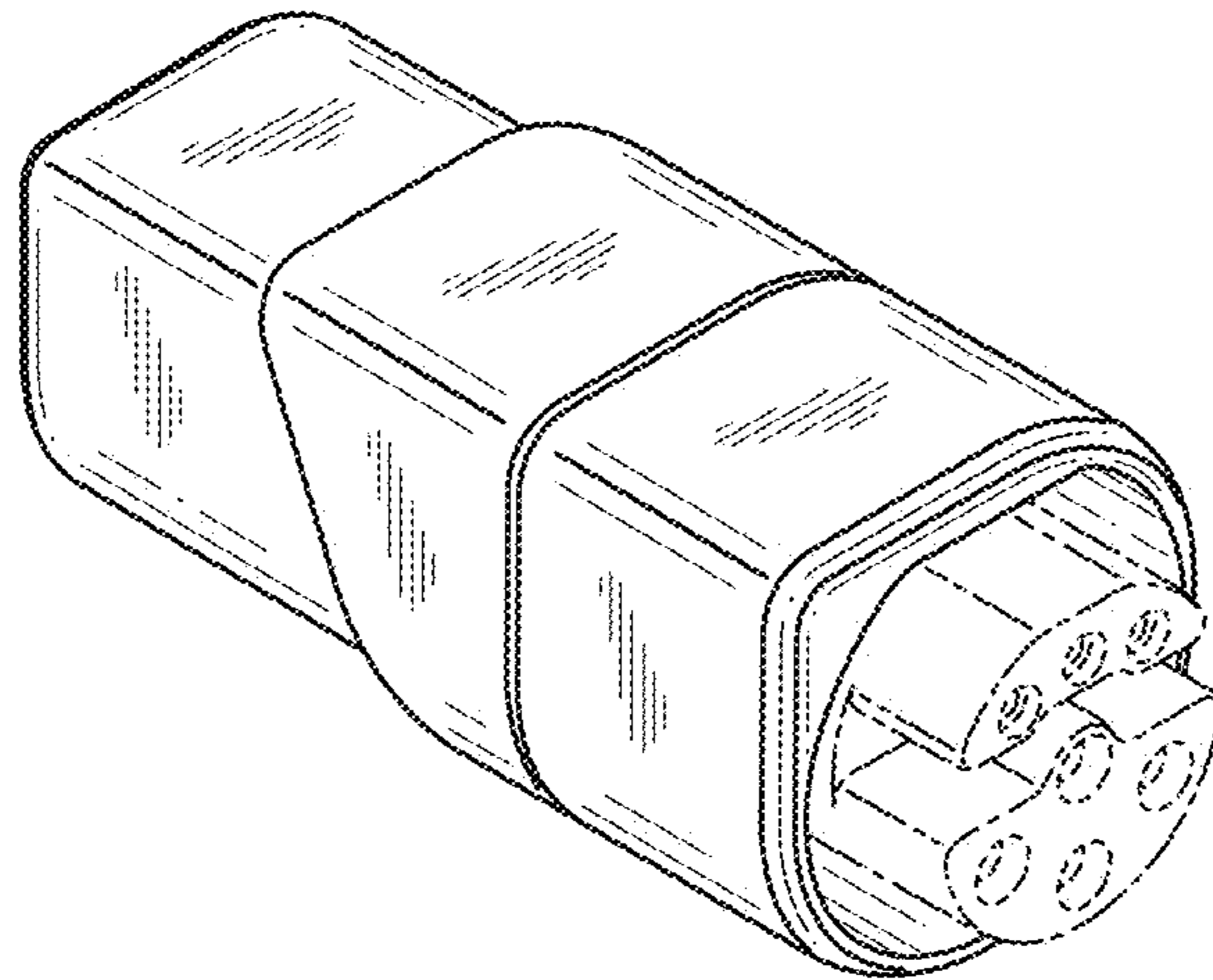
**DESCRIPTION**

This present application claims the priority benefit of U.S. patent application Ser. No. 12/896,360, filed on Oct. 1, 2010, the contents of which are incorporated by reference herein. FIG. 1 is a top, front and left side perspective view of an electrical connector showing our new design; FIG. 2 is a top plan view thereof; FIG. 3 is a left side elevation view thereof; FIG. 4 is a bottom plan view thereof; FIG. 5 is a right side elevation view thereof; FIG. 6 is a rear elevation view thereof; and, FIG. 7 is front elevation view thereof. The broken lines showing portions of an electrical connector adapter assembly are included for the purpose of illustrating environmental structure and forms no part of the claimed design.

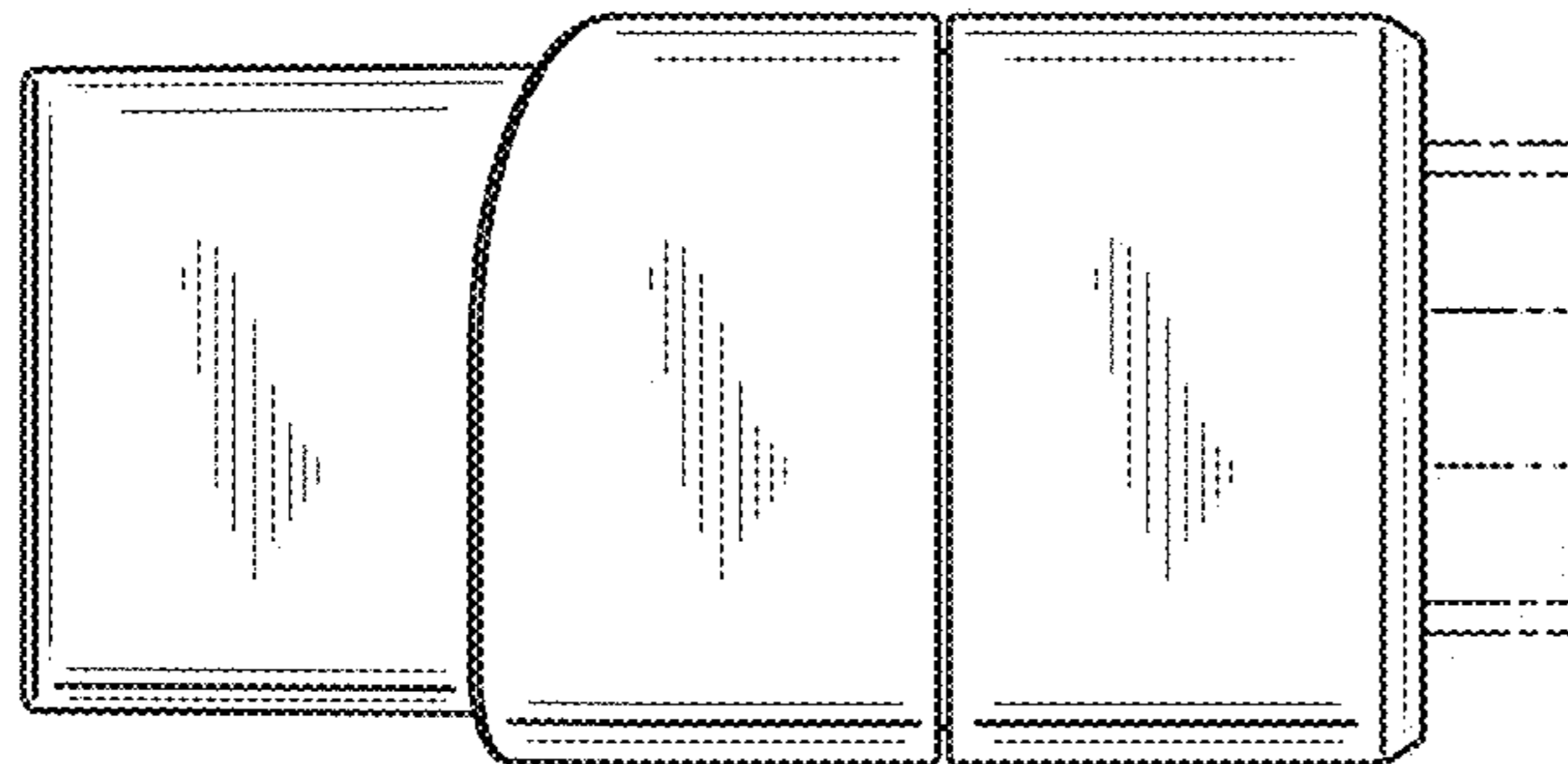
**1 Claim, 4 Drawing Sheets**



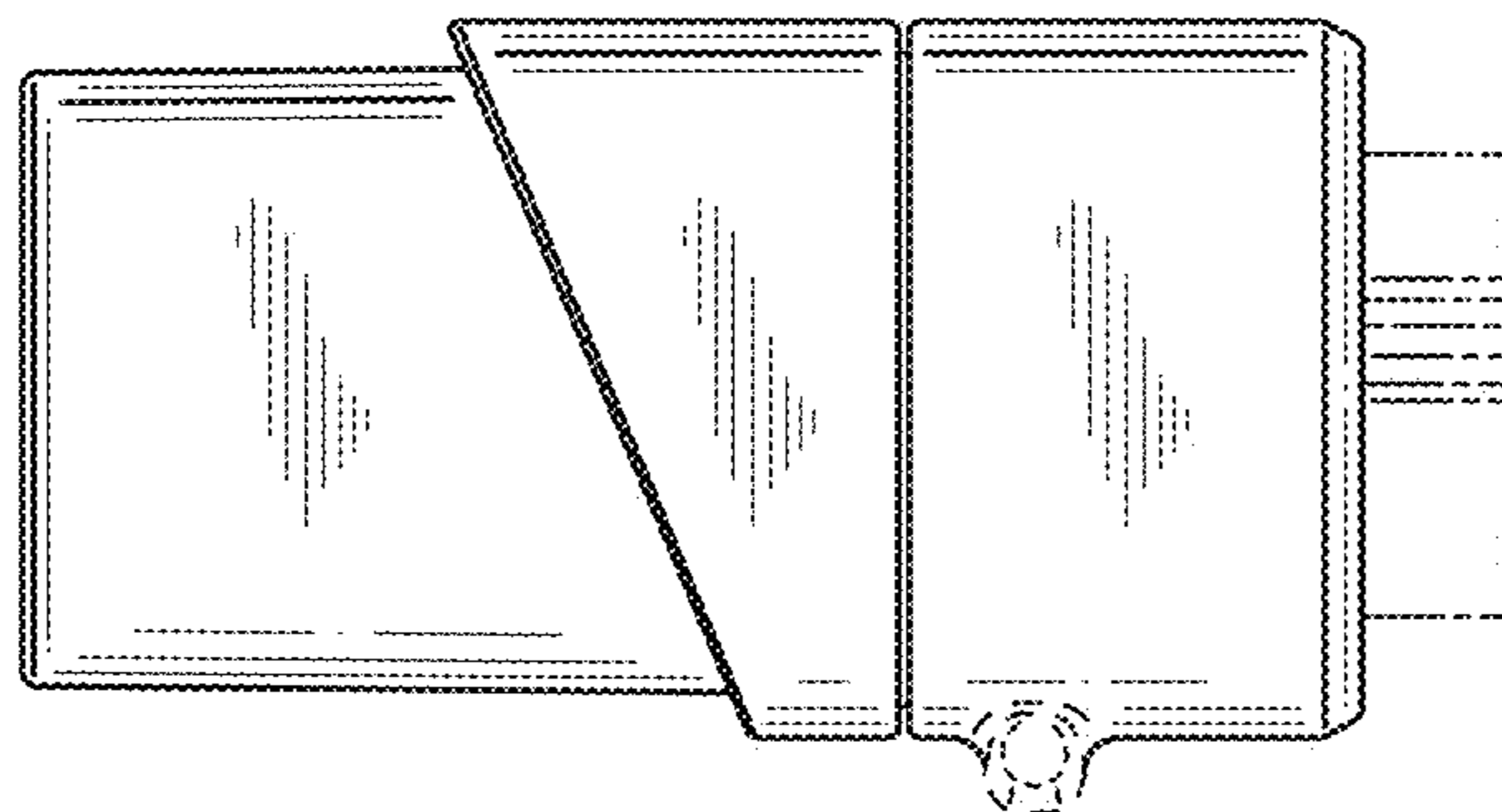
**FIG. 1**



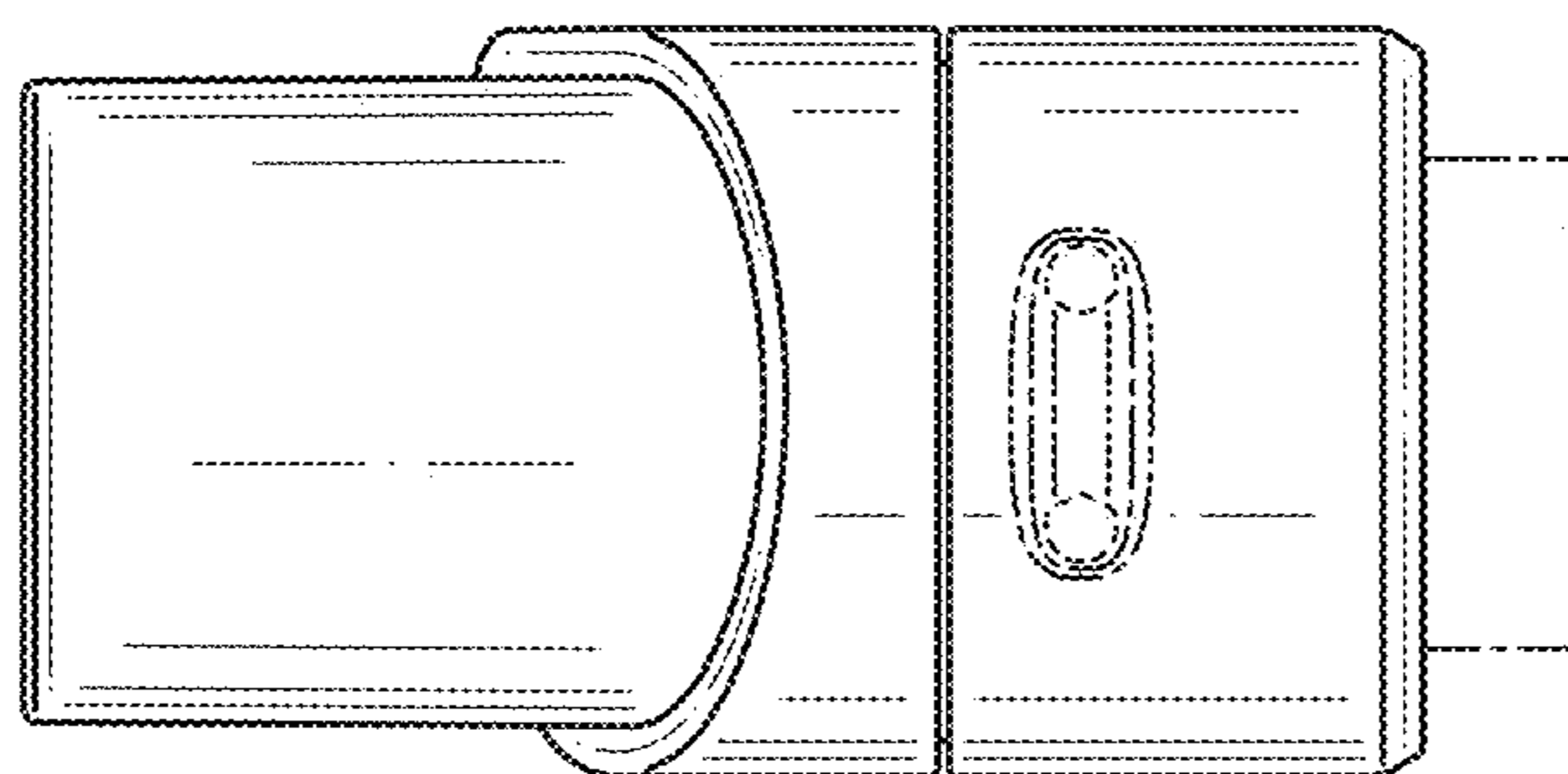
**FIG. 2**



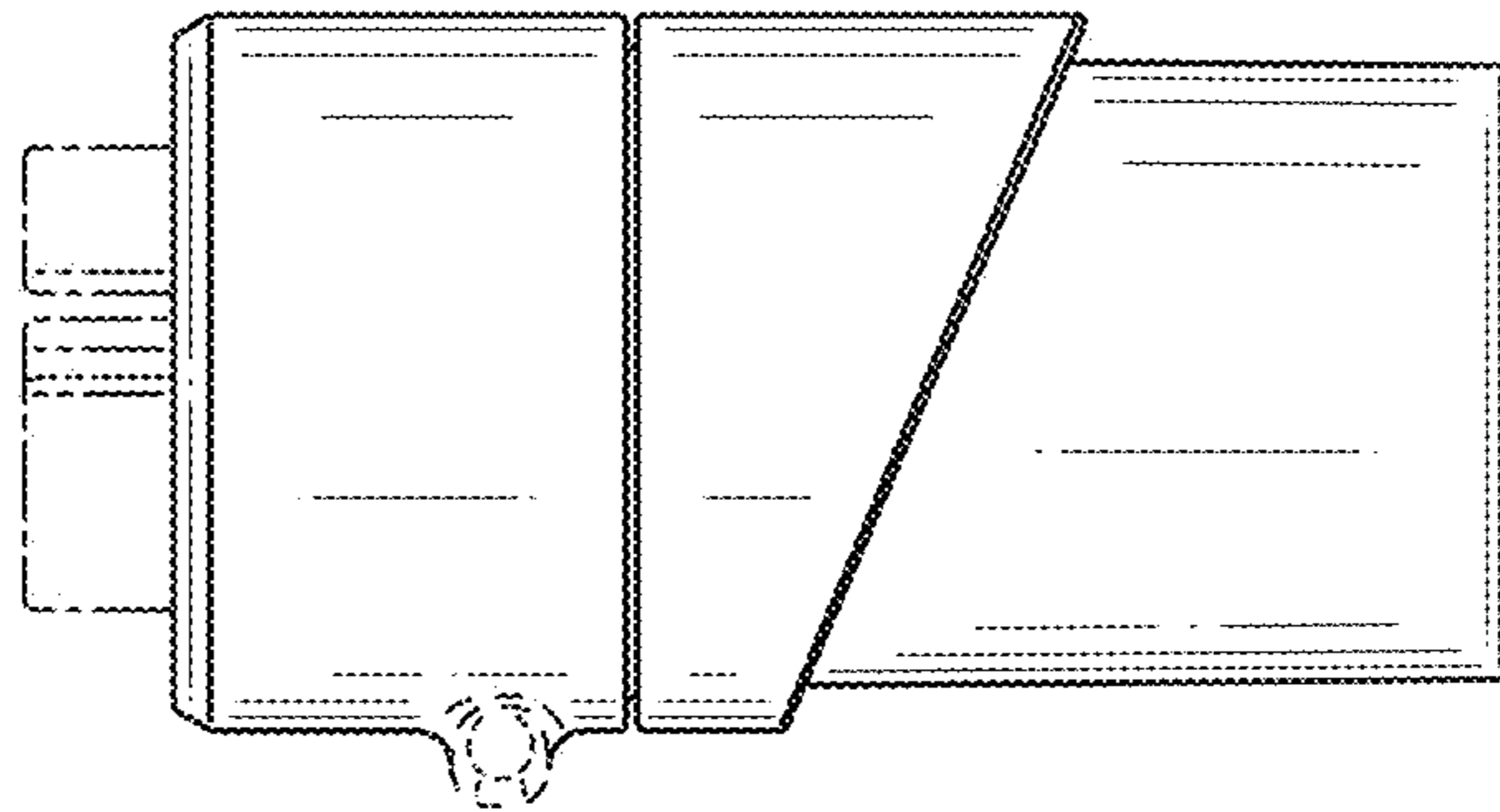
**FIG. 3**



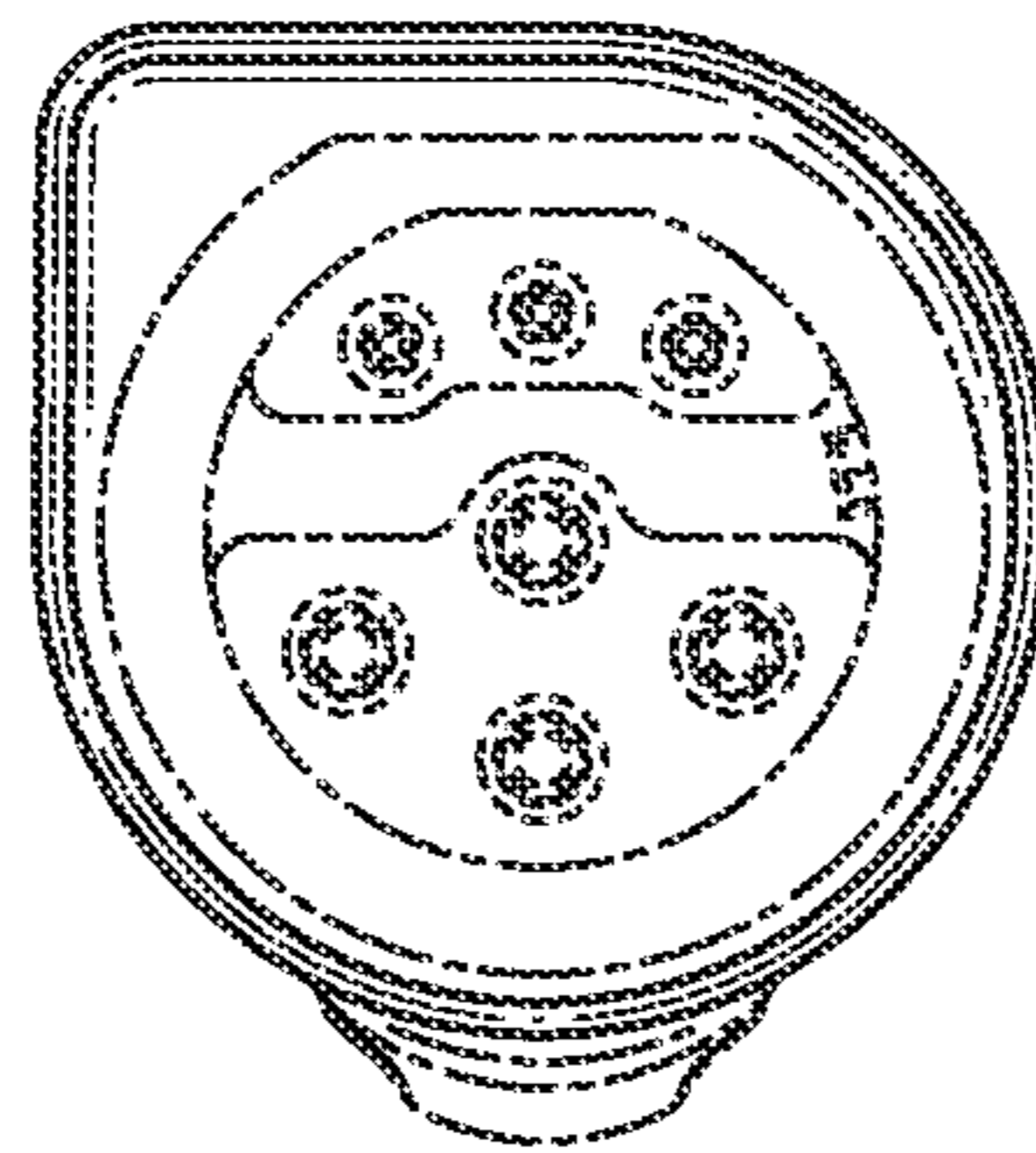
**FIG. 4**



**FIG. 5**



**FIG. 6**



**FIG. 7**

