



US00D690265S

(12) **United States Design Patent**
Nelson

(10) **Patent No.:** **US D690,265 S**

(45) **Date of Patent:** **** Sep. 24, 2013**

(54) **ELECTRIC FENCE INSULATOR**

(76) Inventor: **Steven Michael Nelson**, Iron River, MI
(US)

(**) Term: **14 Years**

(21) Appl. No.: **29/419,368**

(22) Filed: **Apr. 27, 2012**

(51) **LOC (9) Cl.** **13-03**

(52) **U.S. Cl.**
USPC **D13/129**

(58) **Field of Classification Search**
USPC D13/129, 131, 132; D8/354, 356,
D8/363, 364; 174/158 F, 163 F, 175
See application file for complete search history.

(56) **References Cited**

U.S. PATENT DOCUMENTS

3,749,820	A *	7/1973	Langlie et al.	174/163 F
D243,342	S *	2/1977	Langlie et al.	D13/129
4,028,489	A *	6/1977	Berg et al.	174/166 R
4,263,477	A *	4/1981	Wilson, Sr.	174/158 F
D330,008	S *	10/1992	Berg et al.	D13/129

D330,849	S *	11/1992	Stubbersfield et al.	D8/364
D416,859	S *	11/1999	Langlie et al.	D13/129
6,563,055	B1 *	5/2003	Burdick	174/158 F

* cited by examiner

Primary Examiner — Thomas Johannes
(74) *Attorney, Agent, or Firm* — Steven H Greenfield;
Greenfield Invention and Patent Consulting Inc.

(57) **CLAIM**

The ornamental design for an electric fence insulator, as shown and described.

DESCRIPTION

FIG. 1 is a front view of an ornamental electric fence insulator showing my new design;
FIG. 2 is a rear view thereof;
FIG. 3 is a top view thereof;
FIG. 4 is a bottom view thereof;
FIG. 5 is a first side view thereof;
FIG. 6 is a second side view thereof;
FIG. 7 is a first perspective view thereof; and,
FIG. 8 is a second perspective view thereof.

1 Claim, 8 Drawing Sheets

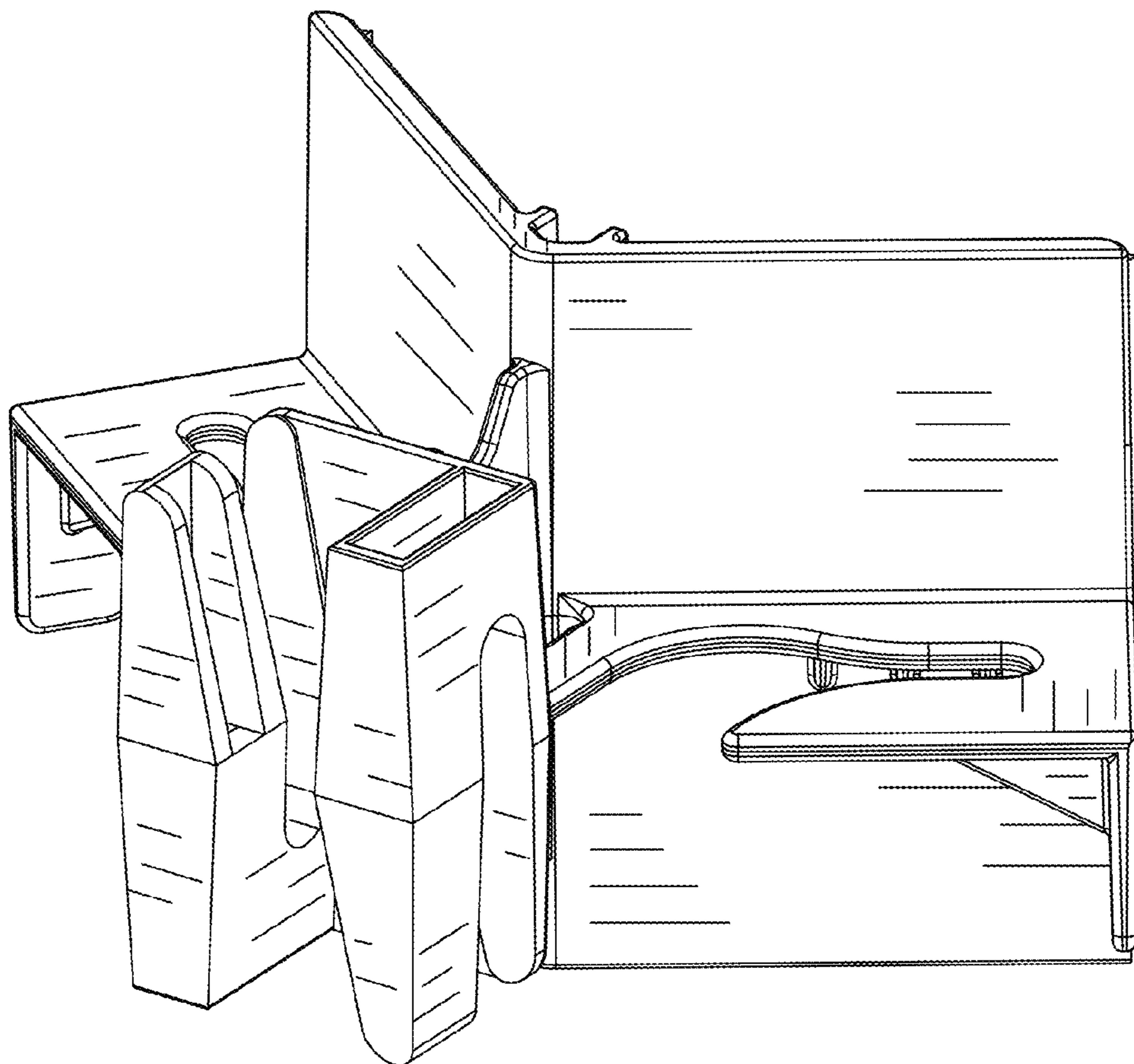


FIG. 1

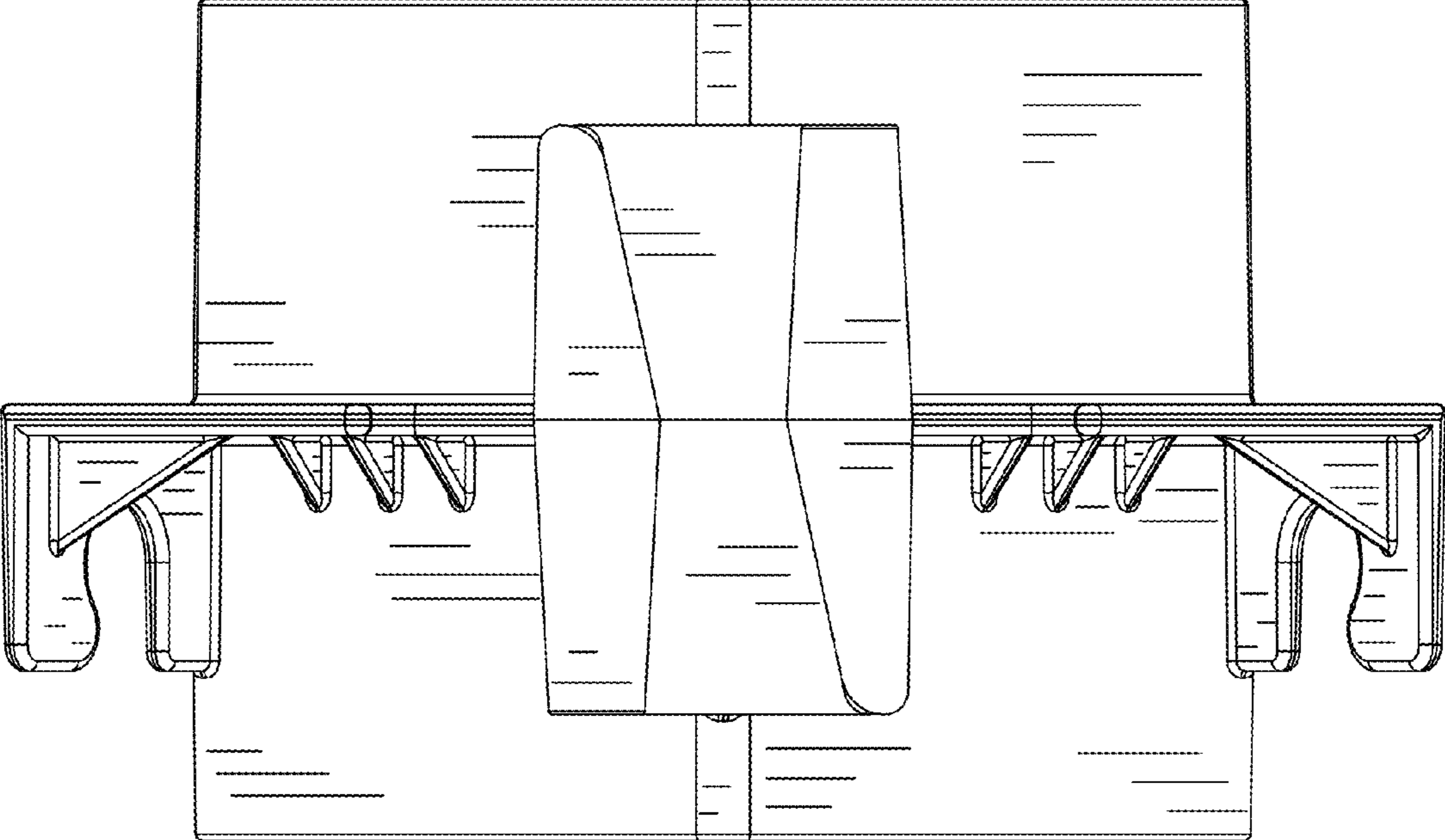


FIG. 2

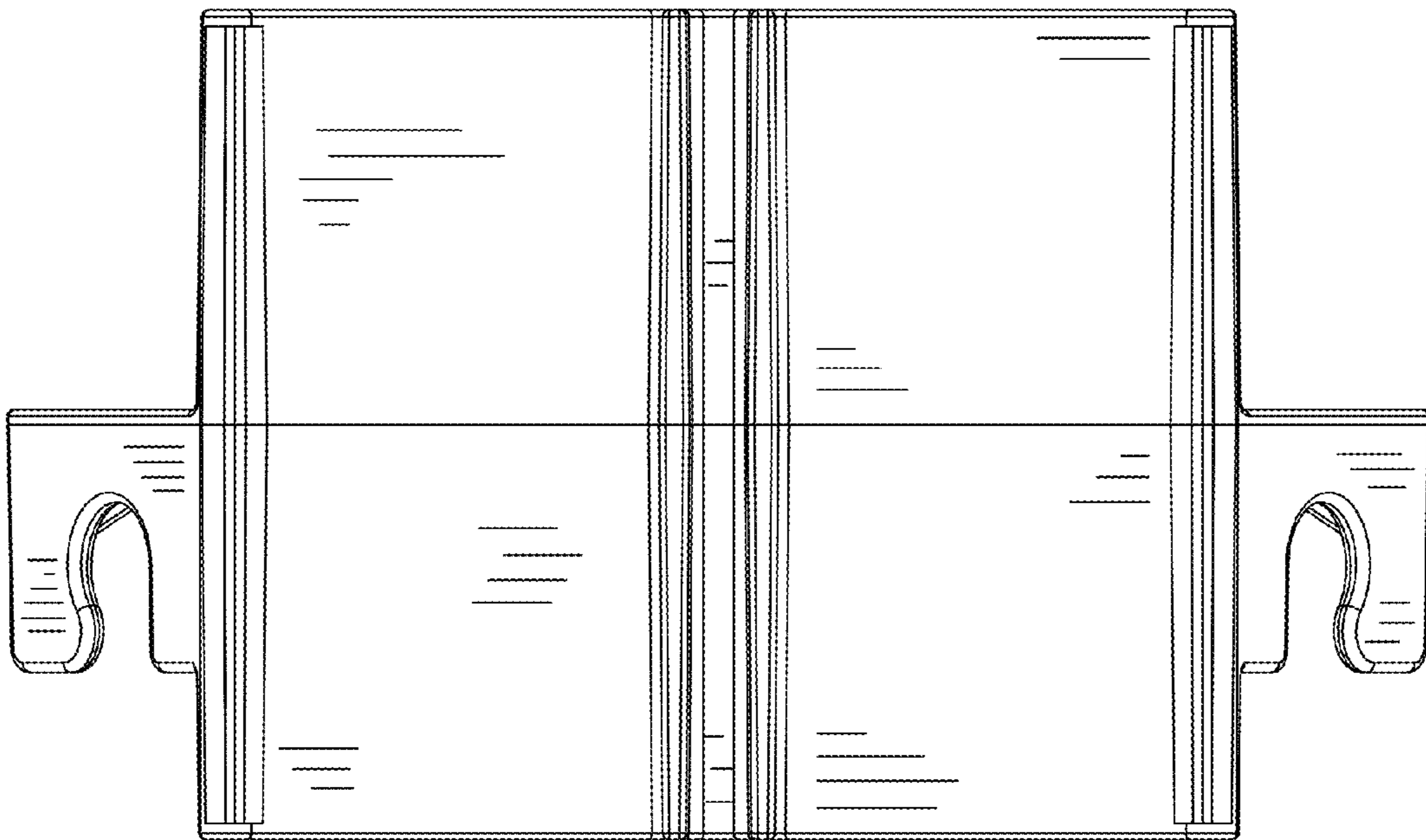


FIG. 3

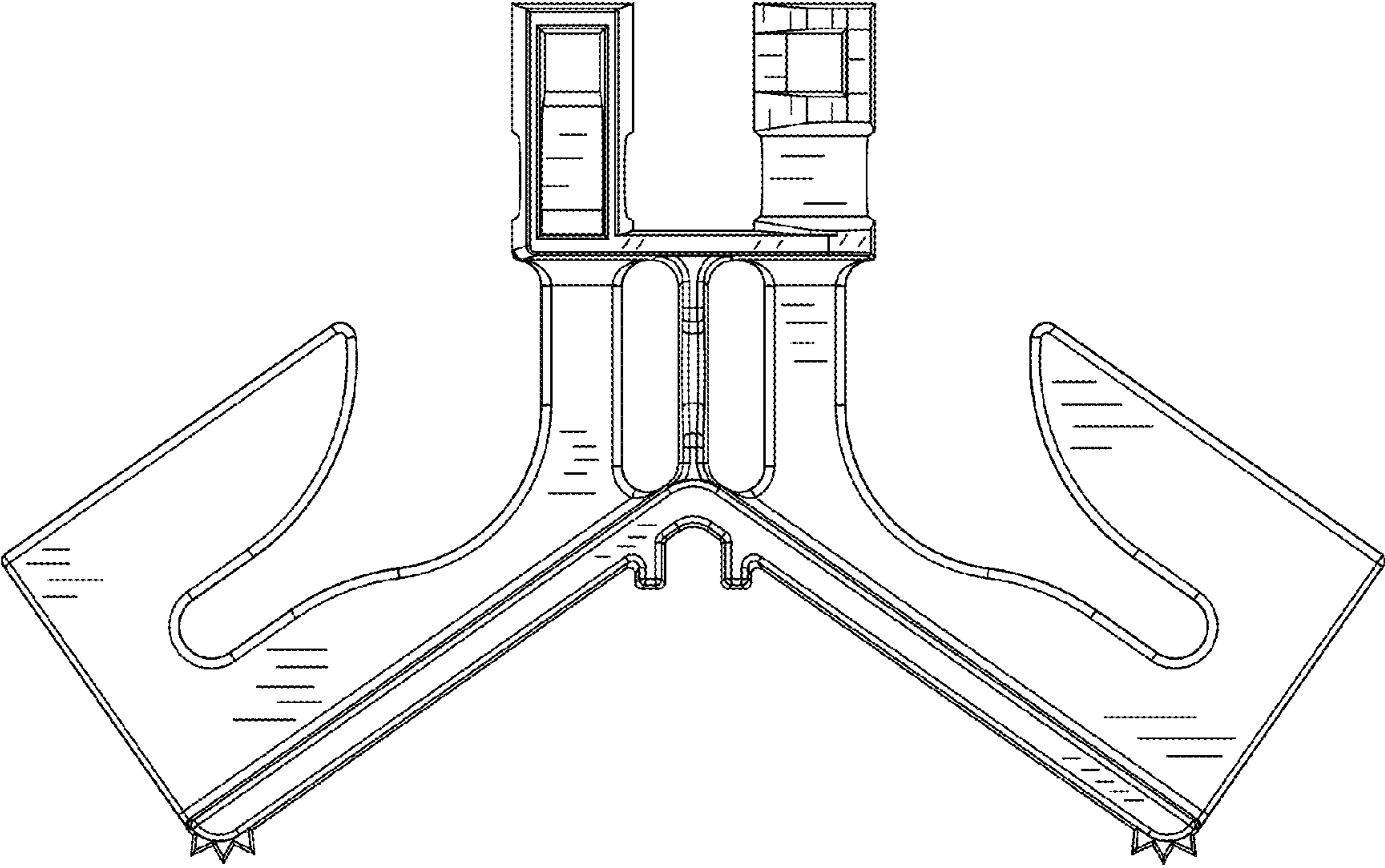


FIG. 4

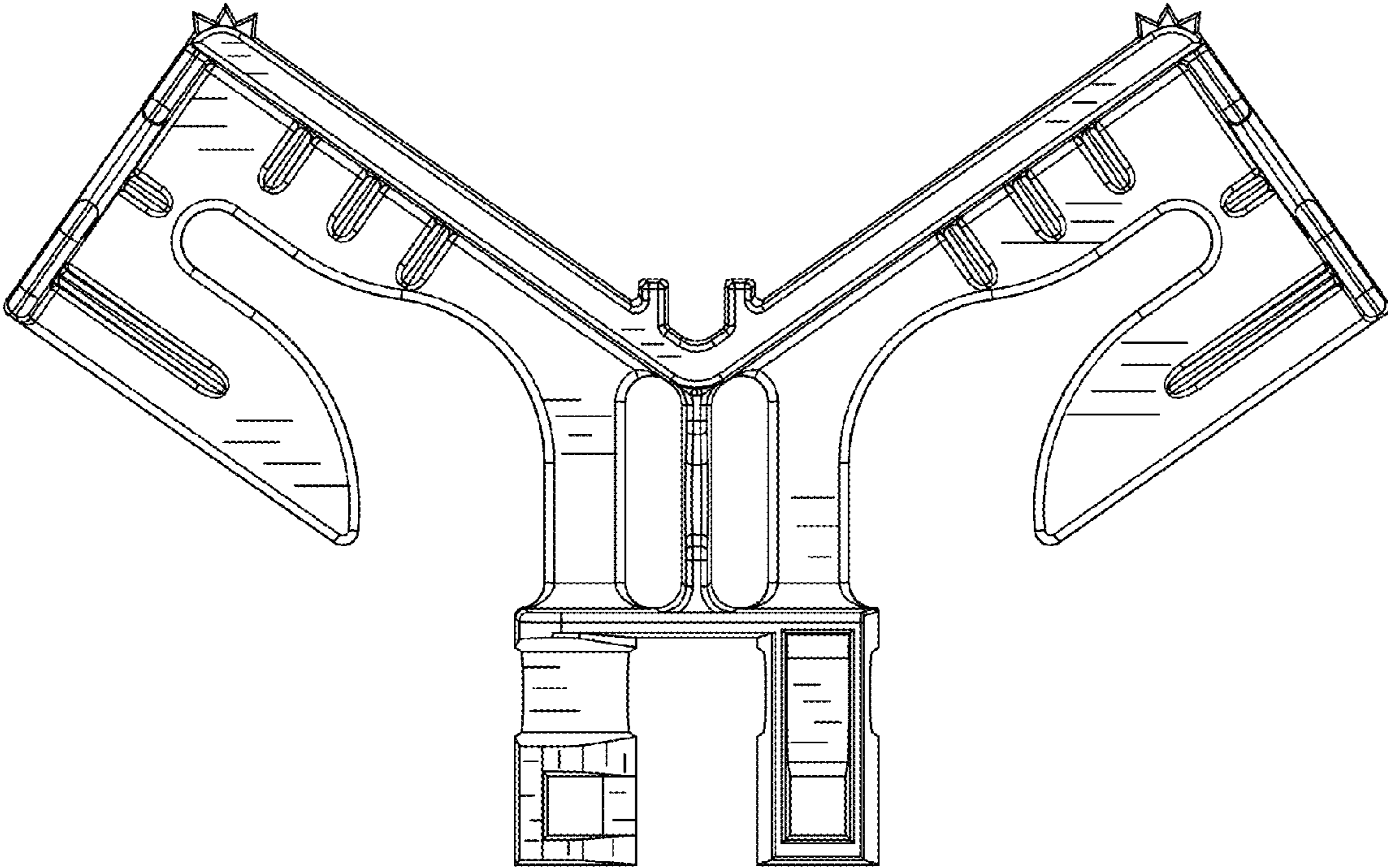


FIG. 5

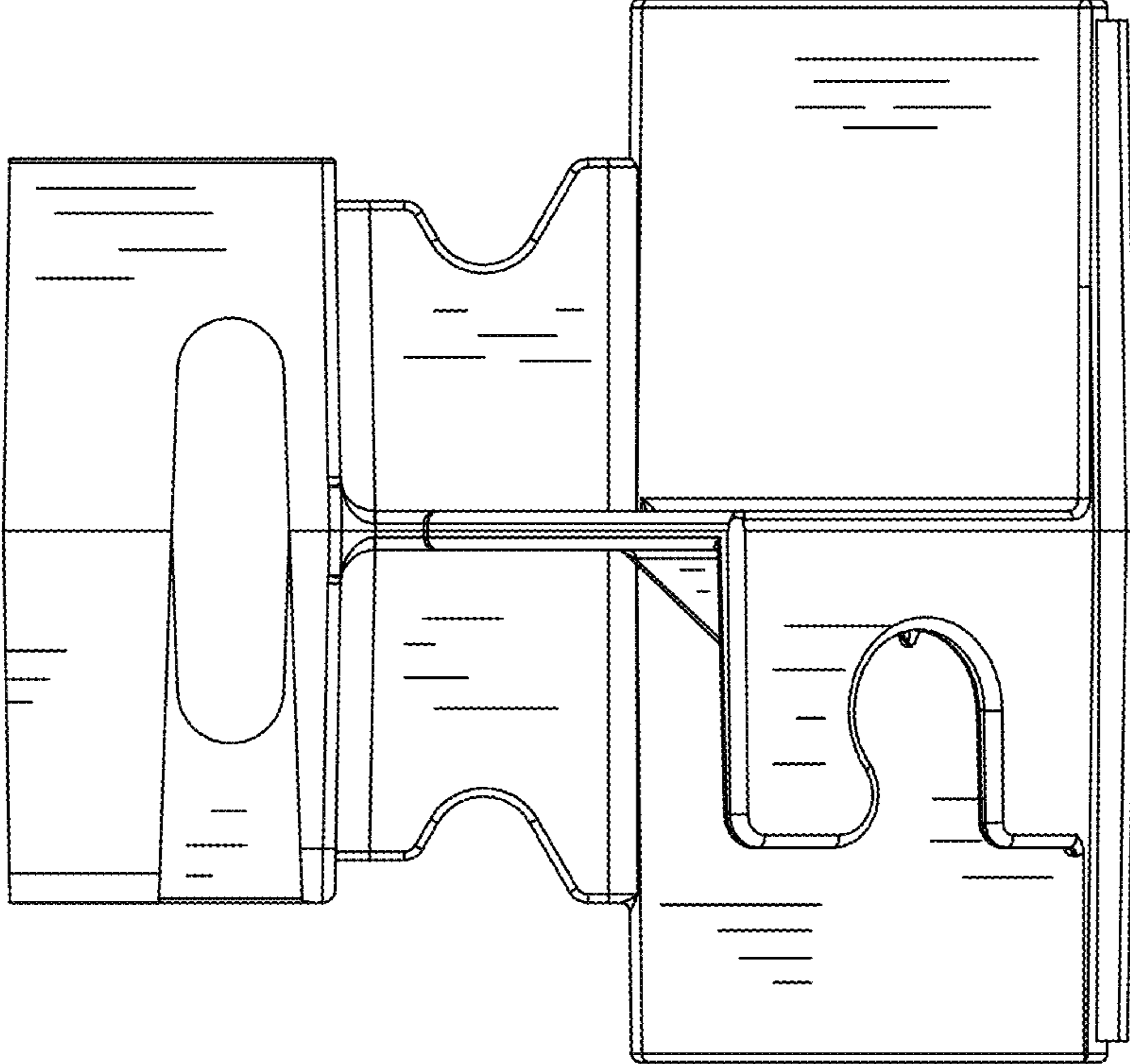


FIG. 6

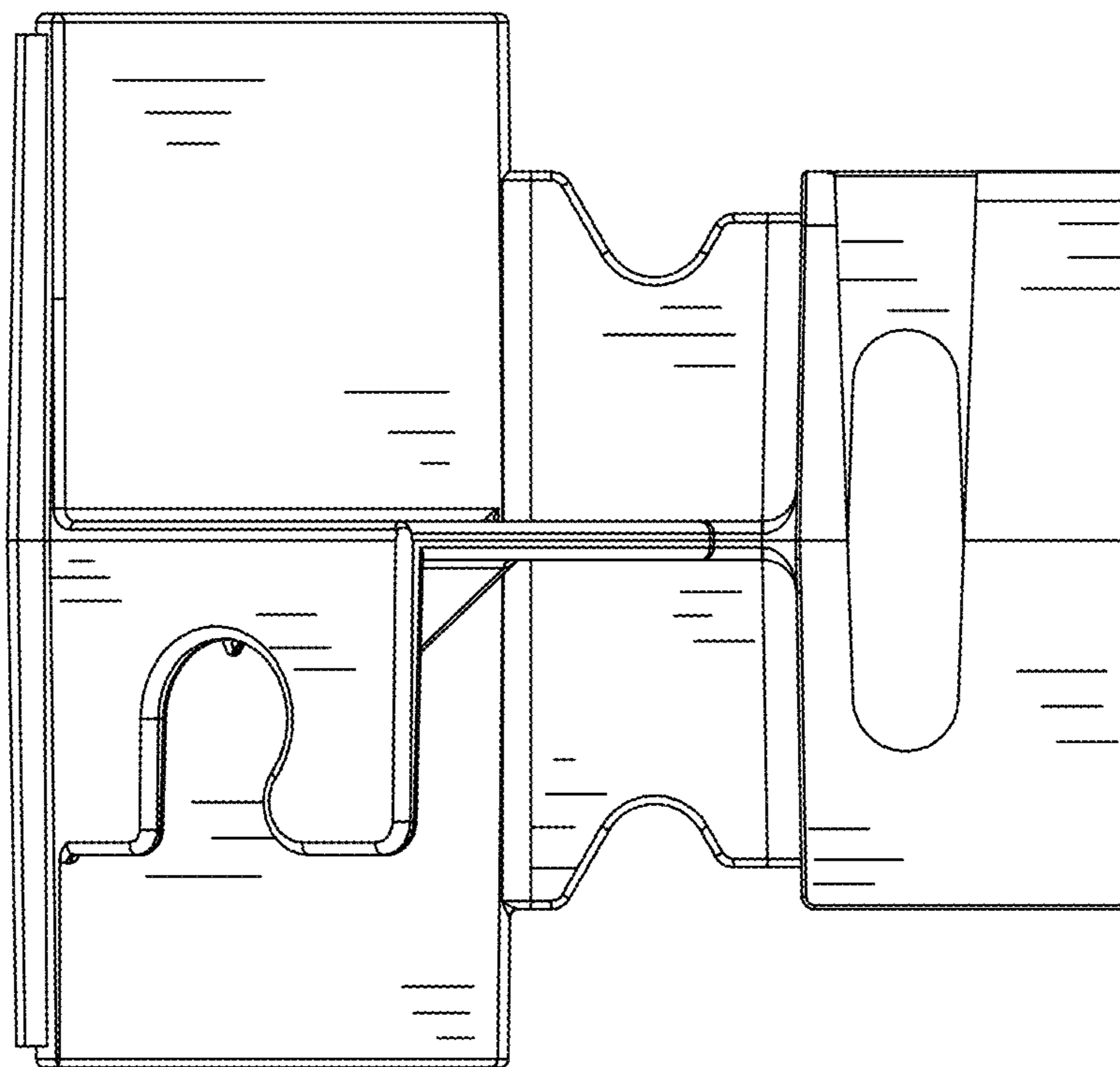


FIG. 7

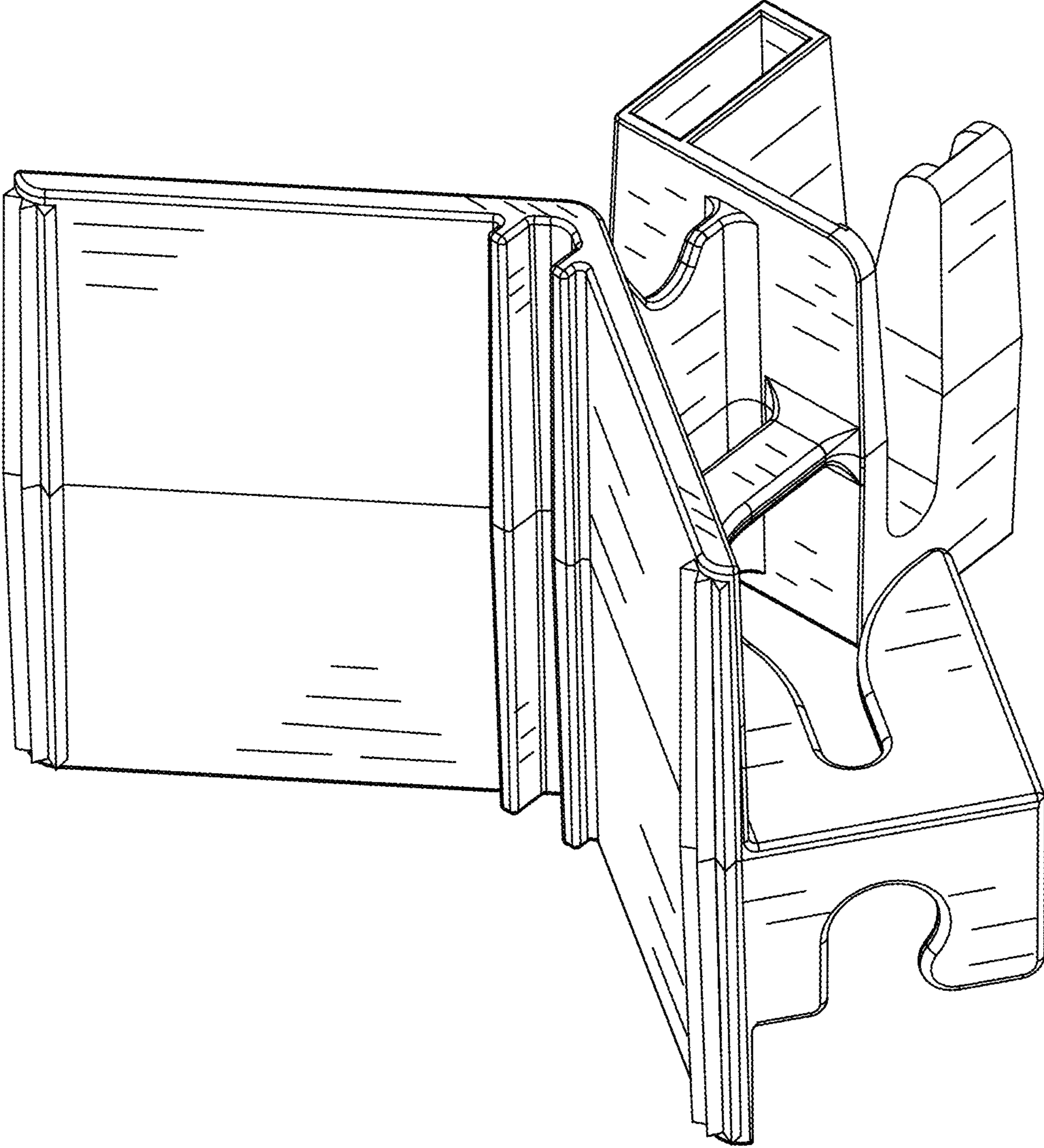


FIG. 8

