

US00D690264S

(12) **United States Design Patent**
Lohne et al.

(10) **Patent No.:** **US D690,264 S**
(45) **Date of Patent:** **** Sep. 24, 2013**

(54) **HOUSING FOR ELECTRICAL CONNECTORS**

(56)

References Cited

(75) Inventors: **Stanley Lohne**, Porsgrunn (NO);
Havard Hadland, Skien (NO); **Thor**
Endre, Skien (NO); **Tom-Rune**
Bjortuft, Porsgrunn (NO); **Paal**
Kristian Skryten, Skien (NO);
John-Anders Tveten, Porsgrunn (NO)

U.S. PATENT DOCUMENTS

D374,428	S	*	10/1996	Scherer et al.	D13/160
D457,858	S	*	5/2002	Lee	D13/110
D523,880	S	*	6/2006	Christensen et al.	D15/143
D602,432	S	*	10/2009	Moussa	D13/110
D633,442	S	*	3/2011	Charleux	D13/110

* cited by examiner

(73) Assignee: **ABB Technology AG** (CH)

Primary Examiner — Derrick Holland

(**) Term: **14 Years**

(74) *Attorney, Agent, or Firm* — St. Onge Steward Johnston & Reens LLC

(21) Appl. No.: **29/408,622**

(57) **CLAIM**

The ornamental design for a housing for electrical connectors, as shown and described.

(22) Filed: **Dec. 14, 2011**

DESCRIPTION

(30) **Foreign Application Priority Data**

Jun. 16, 2011 (EM) 001878869-0002

Jun. 16, 2011 (EM) 001878869-0004

(51) **LOC (9) Cl.** **13-02**

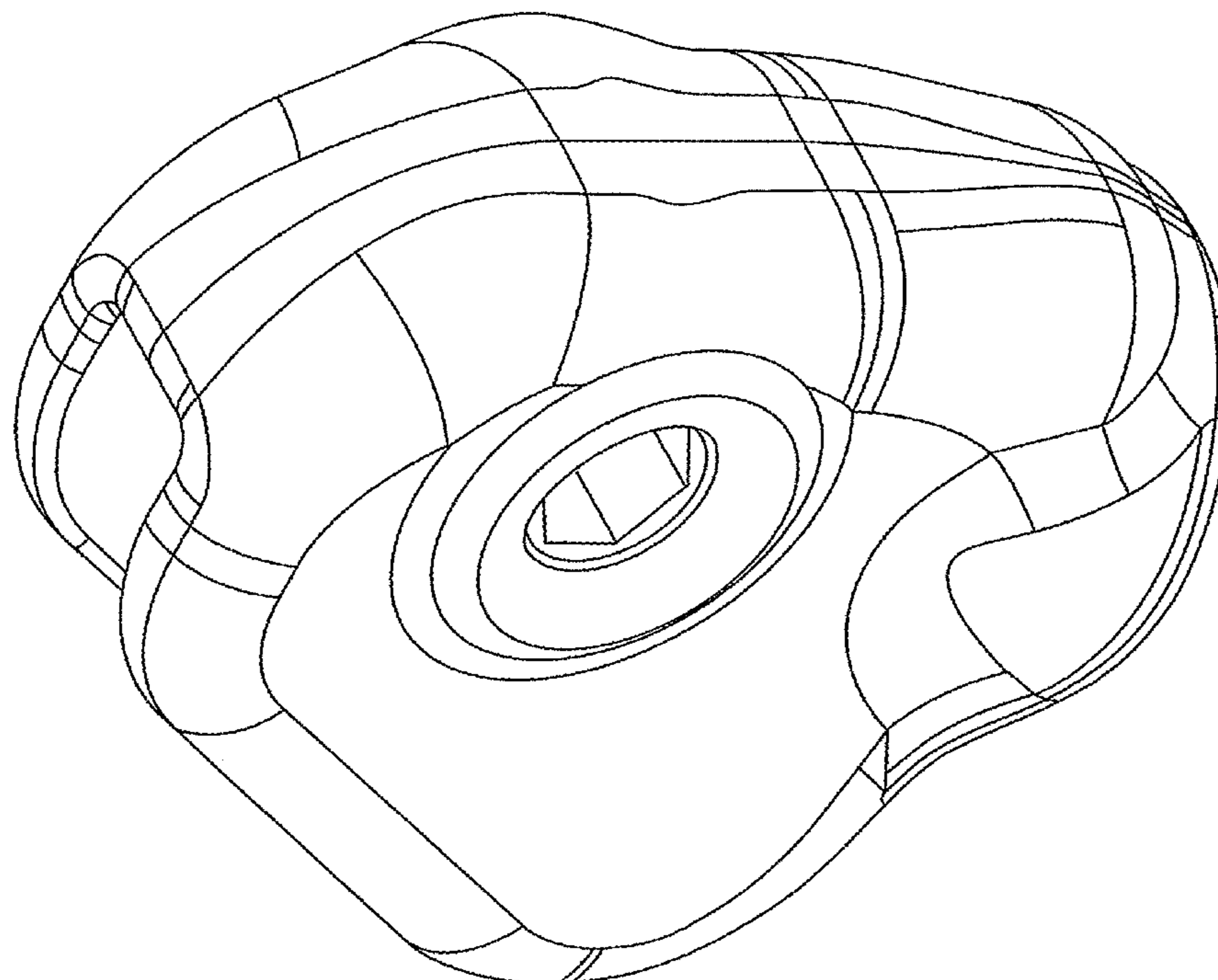
(52) **U.S. Cl.**
USPC **D13/110**

(58) **Field of Classification Search**
USPC D13/110, 101, 123, 158, 160, 164,
D13/182, 184, 199; D15/143, 199; 307/126,
307/139, 142, 143, 150, 151; 310/10, 20,
310/27, 31, 80; 361/601, 602, 610, 611,
361/622, 639, 679.01

FIG. 1 is a right side isometric view of a housing for electrical connectors in accordance with the new design;
FIG. 2 is a right side elevation view thereof;
FIG. 3 is a left side elevation view thereof;
FIG. 4 is a top plan view thereof;
FIG. 5 is a bottom plan view thereof;
FIG. 6 is a front elevation view thereof;
FIG. 7 is a rear elevation view thereof; and,
FIG. 8 is a right side isometric view of the housing for electrical connectors of FIG. 1, shown in a typical environment. The portions of the housing for electrical connectors shown in broken lines in FIGS. 5-8 represent unclaimed subject matter and form no part of the claimed design.

See application file for complete search history.

1 Claim, 8 Drawing Sheets



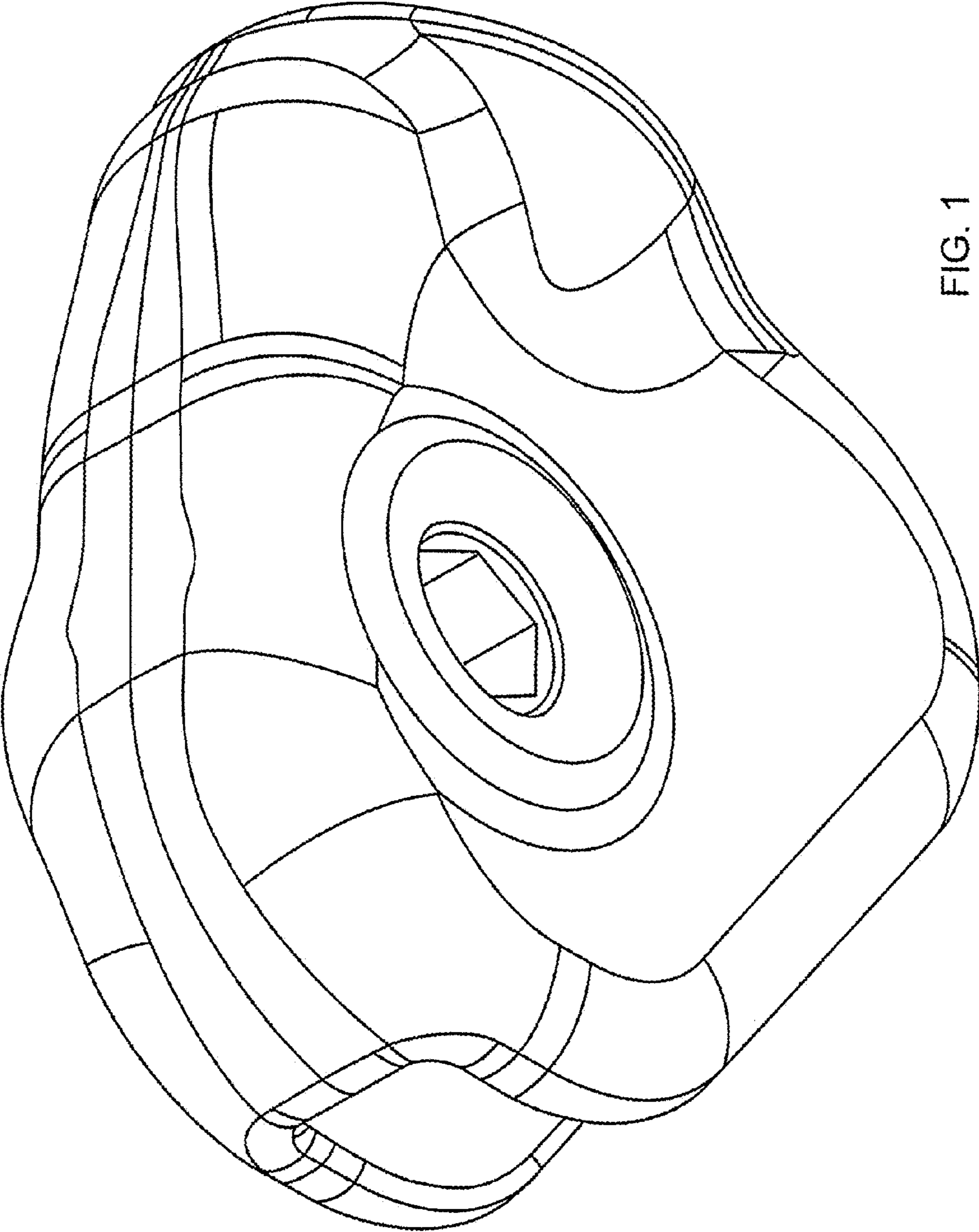


FIG. 1

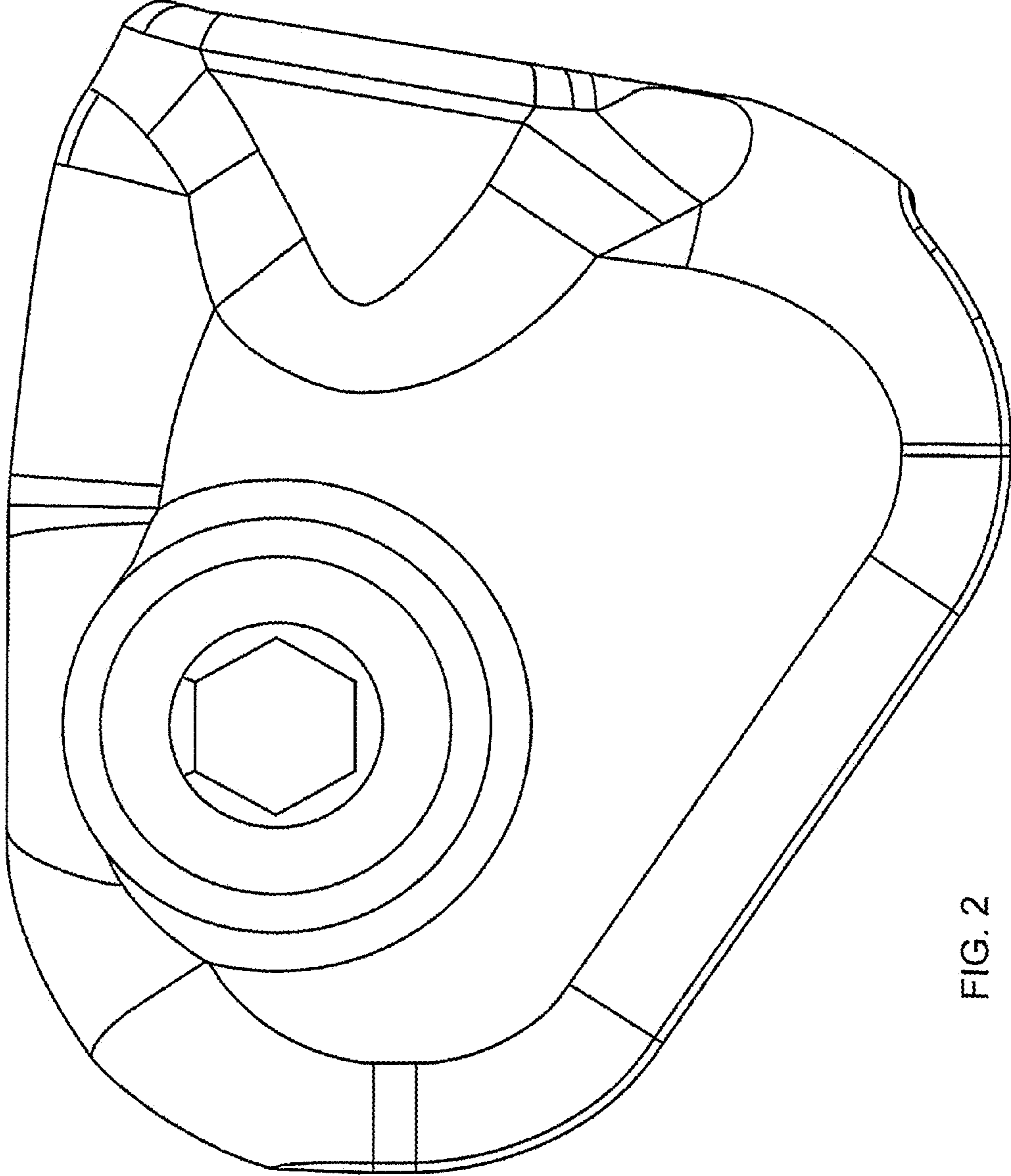


FIG. 2

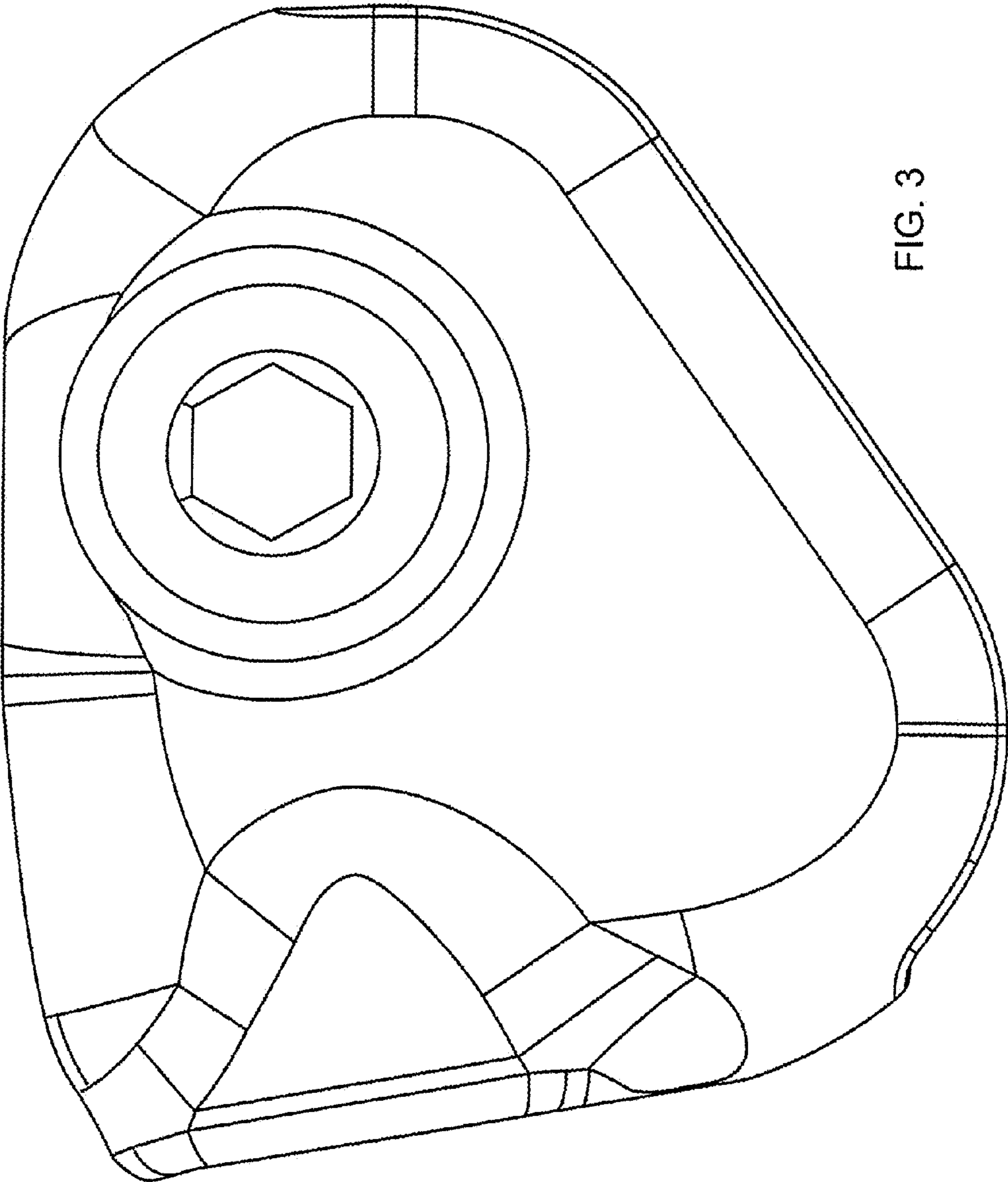


FIG. 3

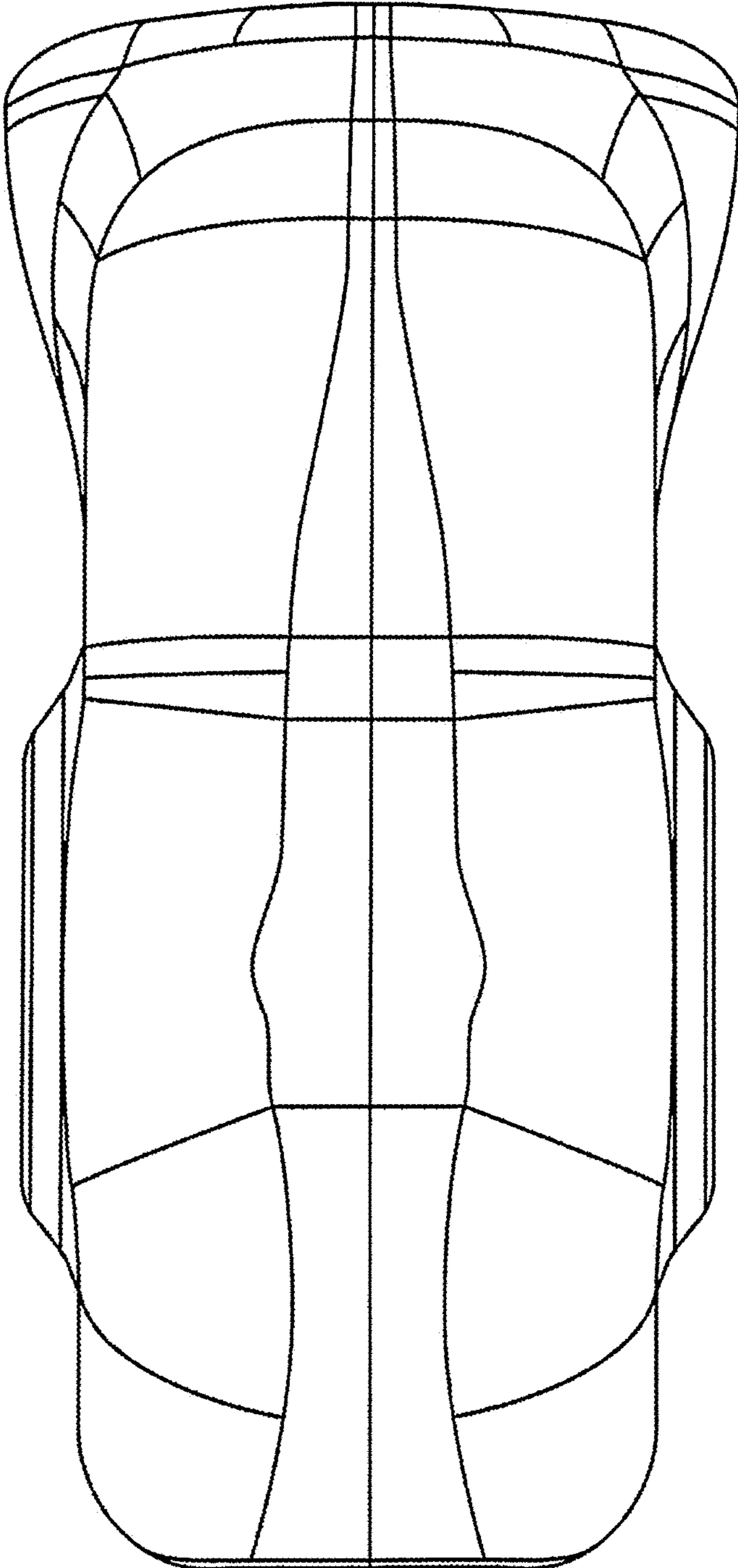


FIG. 4

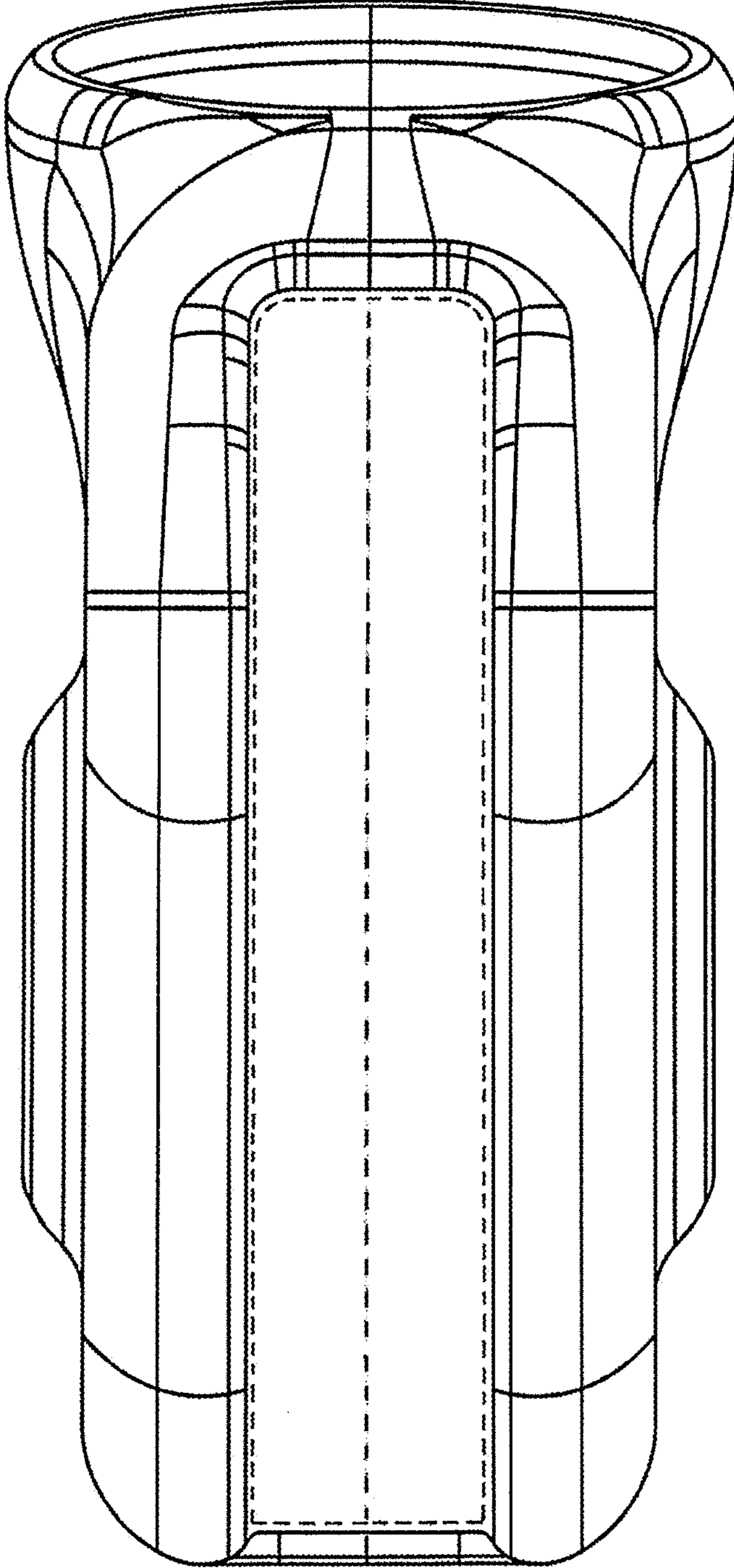


FIG. 5

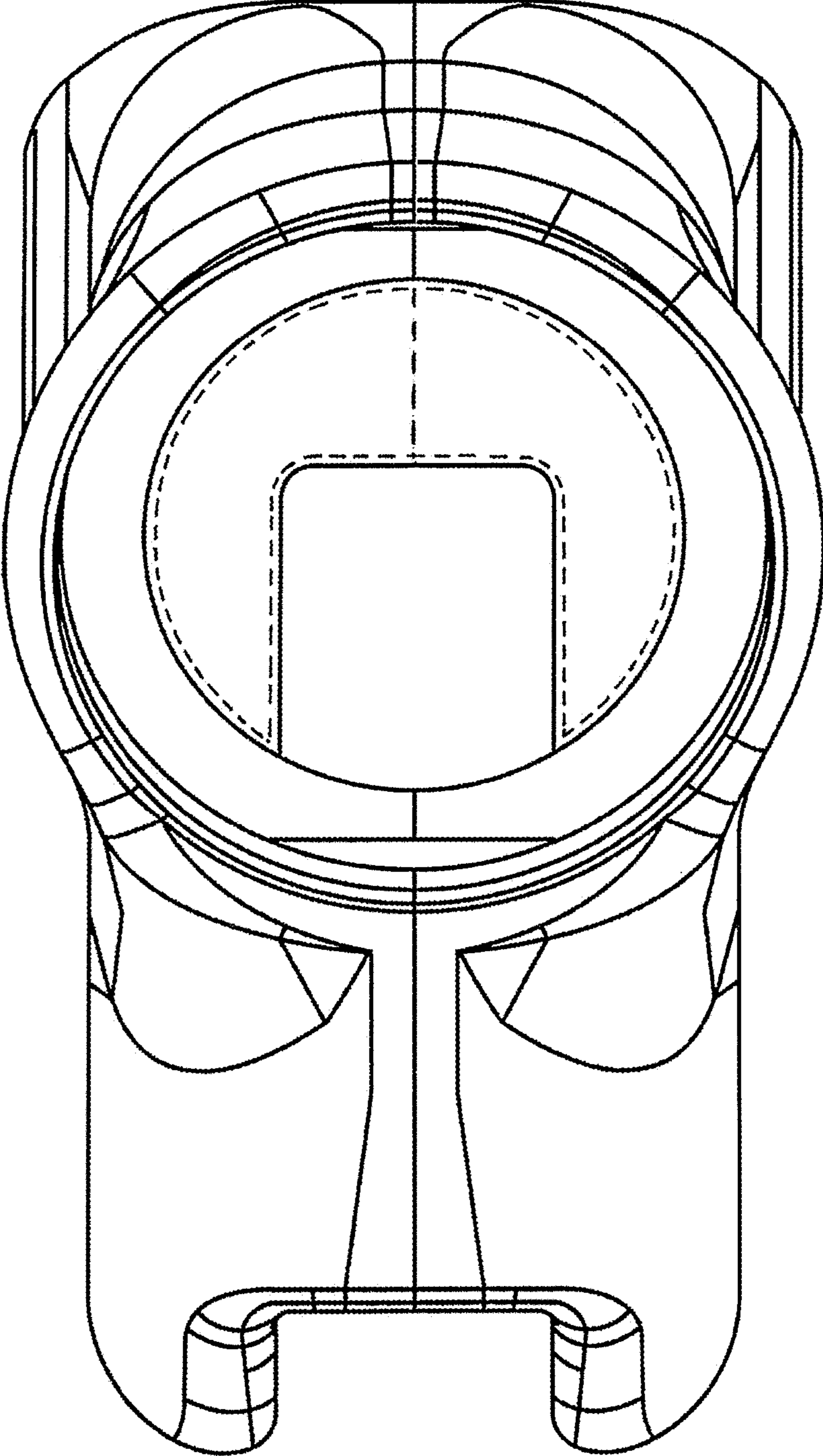


FIG. 6

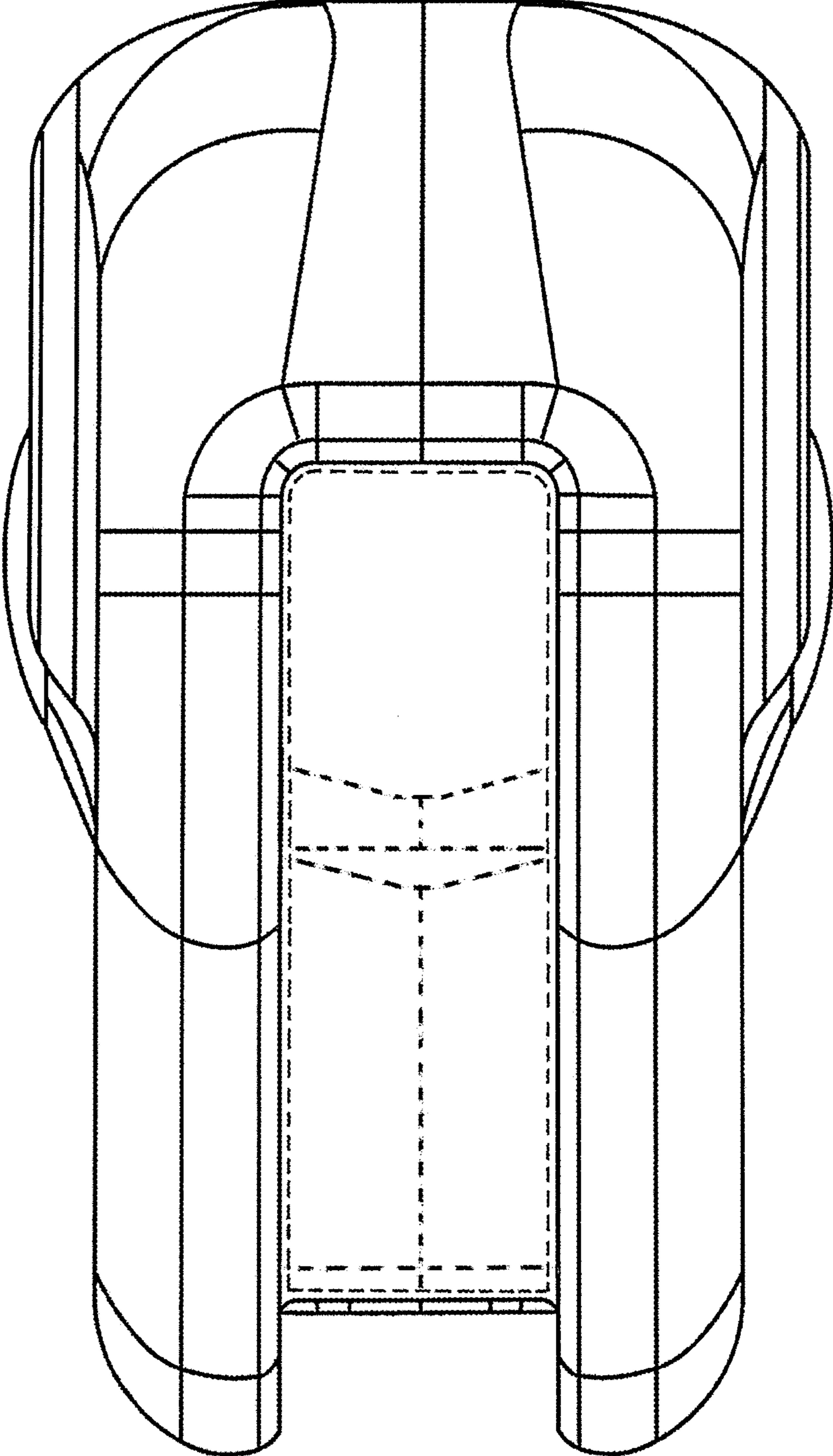


FIG. 7

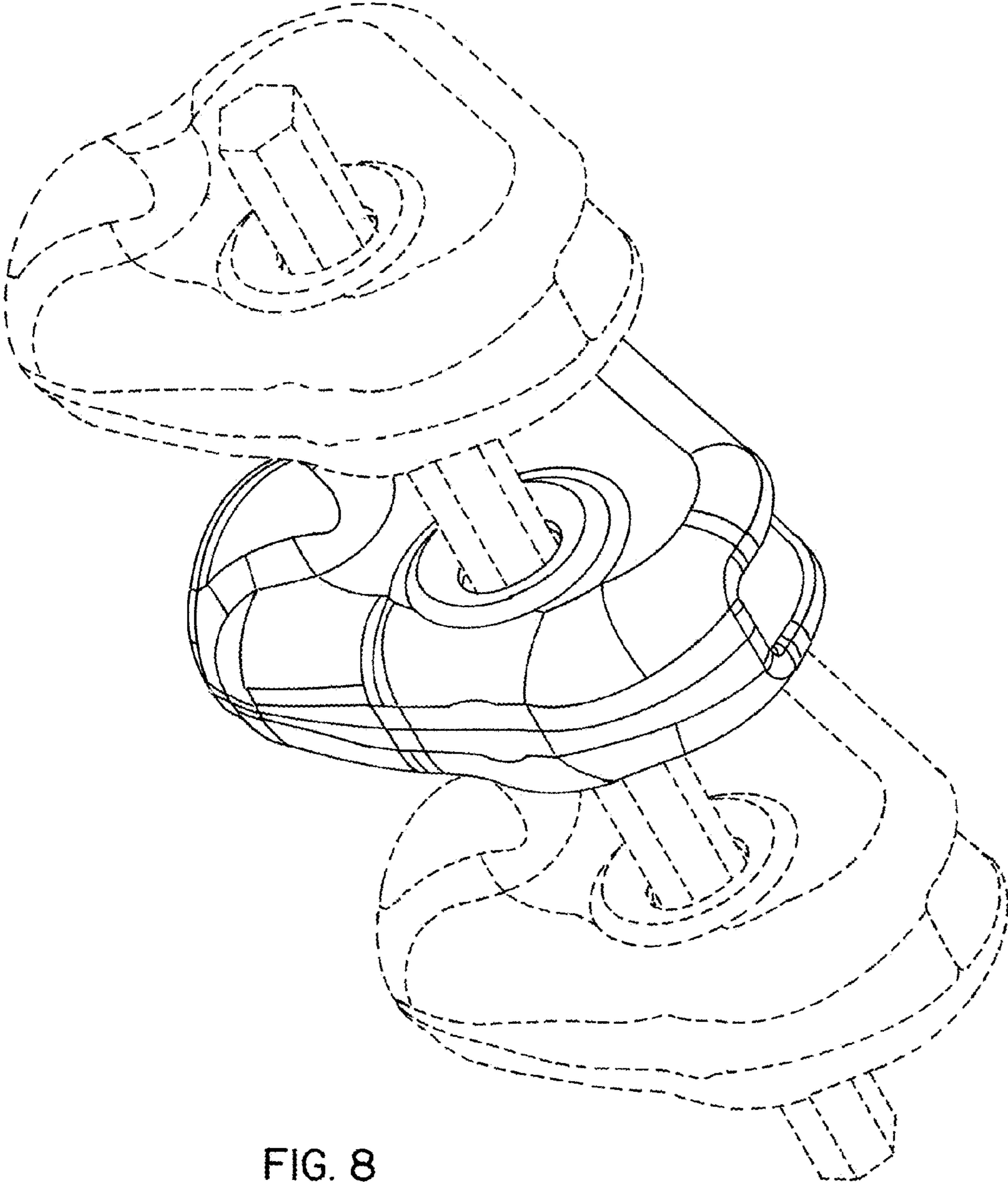


FIG. 8