



US00D690263S

(12) **United States Design Patent**
Lohne et al.

(10) **Patent No.:** **US D690,263 S**
(45) **Date of Patent:** **** Sep. 24, 2013**

(54) **EQUIPMENT FOR ELECTRICAL POWER DISTRIBUTION**

(75) Inventors: **Stanley Lohne**, Porsgrunn (NO);
Havard Hadland, Skien (NO); **Thor**
Endre, Skien (NO); **Tom-Rune**
Bjortuft, Porsgrunn (NO); **Paal**
Kristian Skryten, Skien (NO);
John-Anders Tveten, Porsgrunn (NO)

(73) Assignee: **ABB Technology AG** (CH)

(**) Term: **14 Years**

(21) Appl. No.: **29/408,621**

(22) Filed: **Dec. 14, 2011**

(30) **Foreign Application Priority Data**

Jun. 16, 2011 (EM) 001878869-0001
Jun. 16, 2011 (EM) 001878869-0003

(51) **LOC (9) Cl.** **13-02**

(52) **U.S. Cl.**
USPC **D13/110**

(58) **Field of Classification Search**
USPC D13/110, 101, 123, 158, 160, 164,
D13/182, 184, 199; D15/143, 199; 307/126,
307/139, 142, 143, 150, 151; 310/10, 20,
310/27, 31, 80; 361/601, 602, 610, 611,
361/622, 639, 679.01

See application file for complete search history.

(56) **References Cited**

U.S. PATENT DOCUMENTS

D374,428 S * 10/1996 Scherer et al. D13/160
D457,858 S * 5/2002 Lee D13/110
D523,880 S * 6/2006 Christensen et al. D15/143
D602,432 S * 10/2009 Moussa D13/110
D633,442 S * 3/2011 Charleux D13/110

* cited by examiner

Primary Examiner — Derrick Holland

(74) *Attorney, Agent, or Firm* — St. Onge Steward Johnston
& Reens LLC

(57) **CLAIM**

The ornamental design for an equipment for electrical power distribution, as shown and described.

DESCRIPTION

FIG. 1 is a right side isometric view of an equipment for electrical power distribution in accordance with the new design;

FIG. 2 is a right side elevation view thereof;

FIG. 3 is a left side elevation view thereof;

FIG. 4 is a top plan view thereof;

FIG. 5 is a bottom plan view thereof;

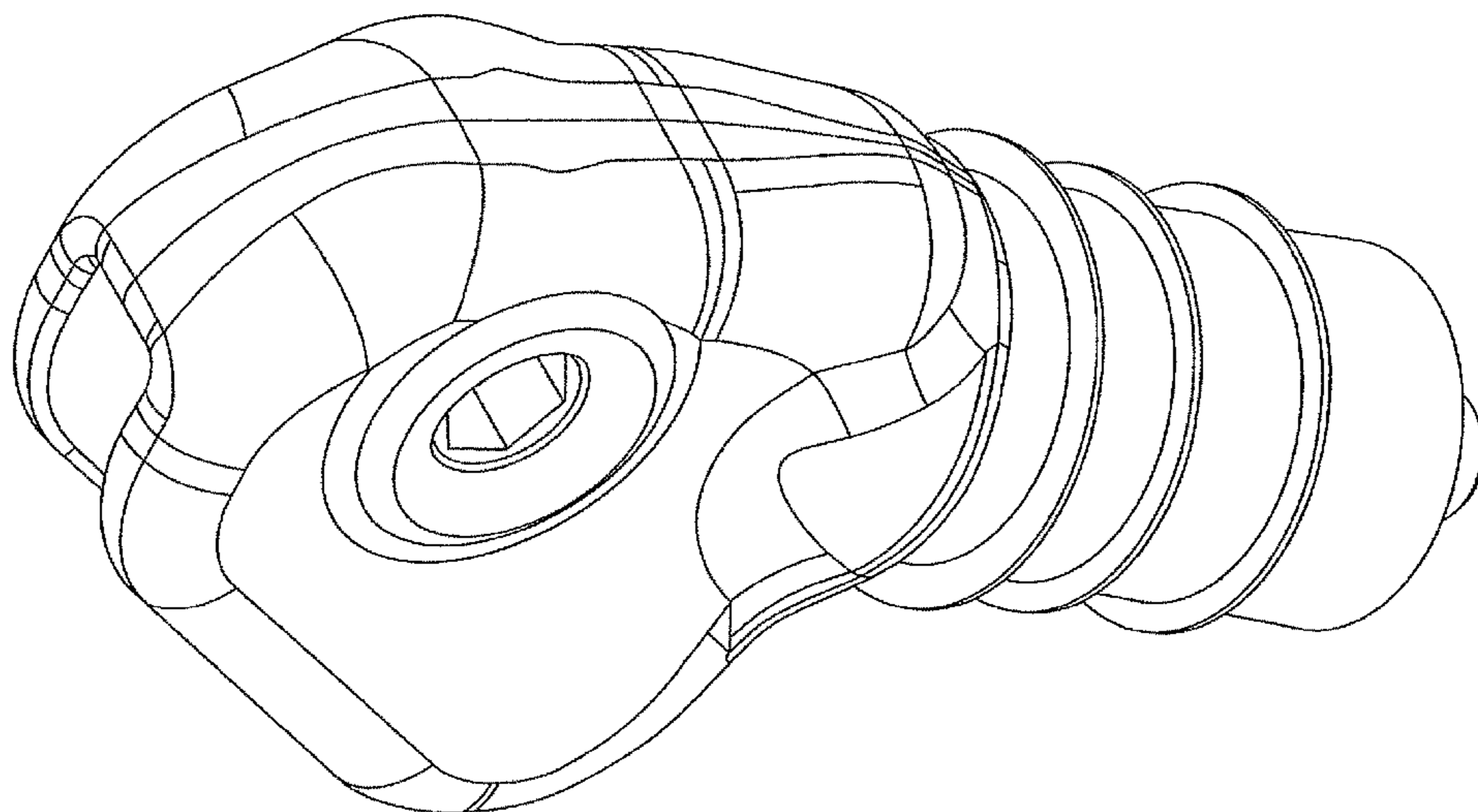
FIG. 6 is a front elevation view thereof;

FIG. 7 is a rear elevation view thereof; and,

FIG. 8 is a right side isometric view of the equipment for electrical power distribution of FIG. 1, shown in a typical environment.

The portions of the equipment for electrical power distribution shown in broken lines in FIGS. 5, 7, and 8 represent unclaimed subject matter and form no part of the claimed design.

1 Claim, 8 Drawing Sheets



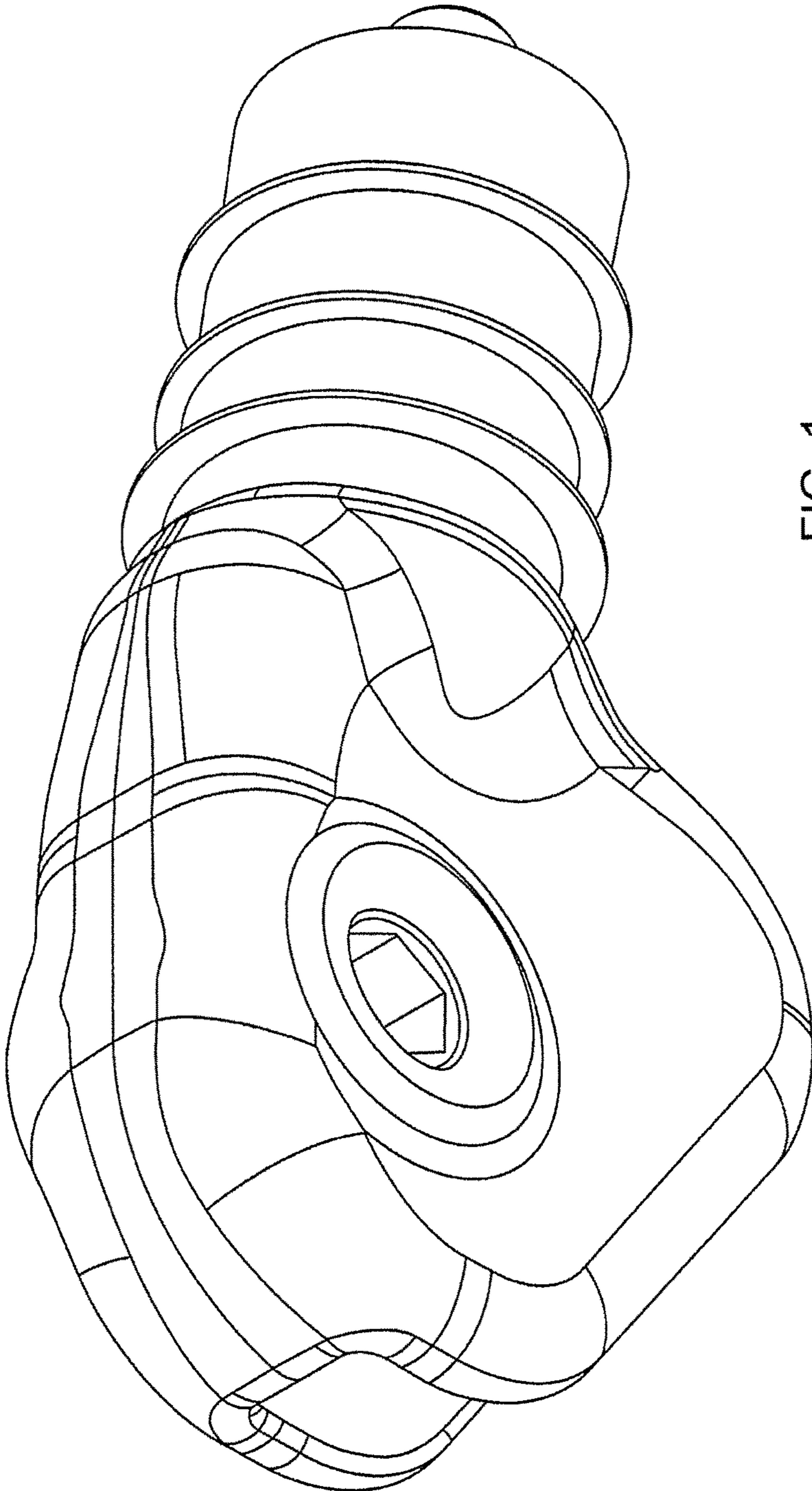


FIG. 1

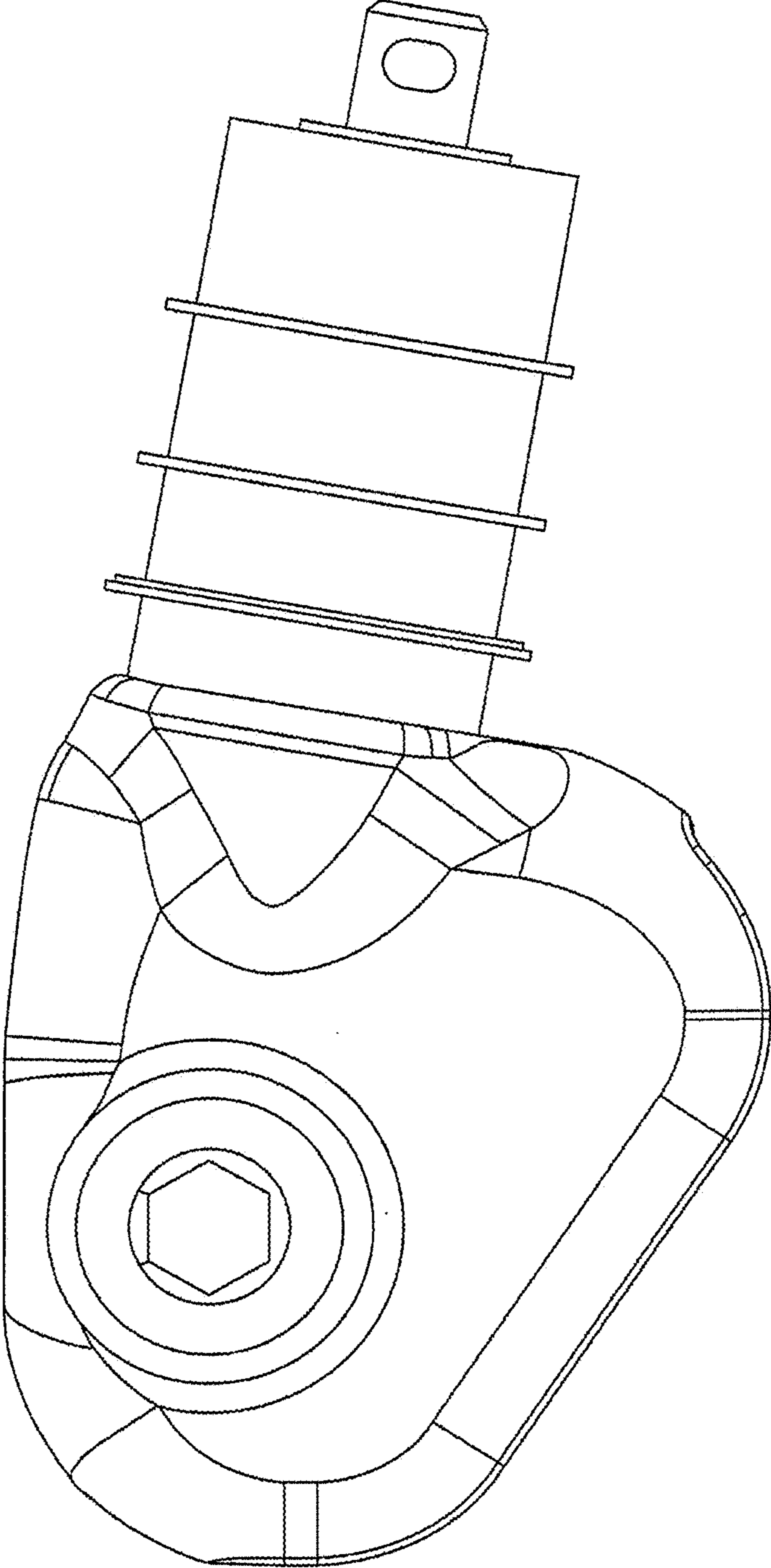


FIG. 2

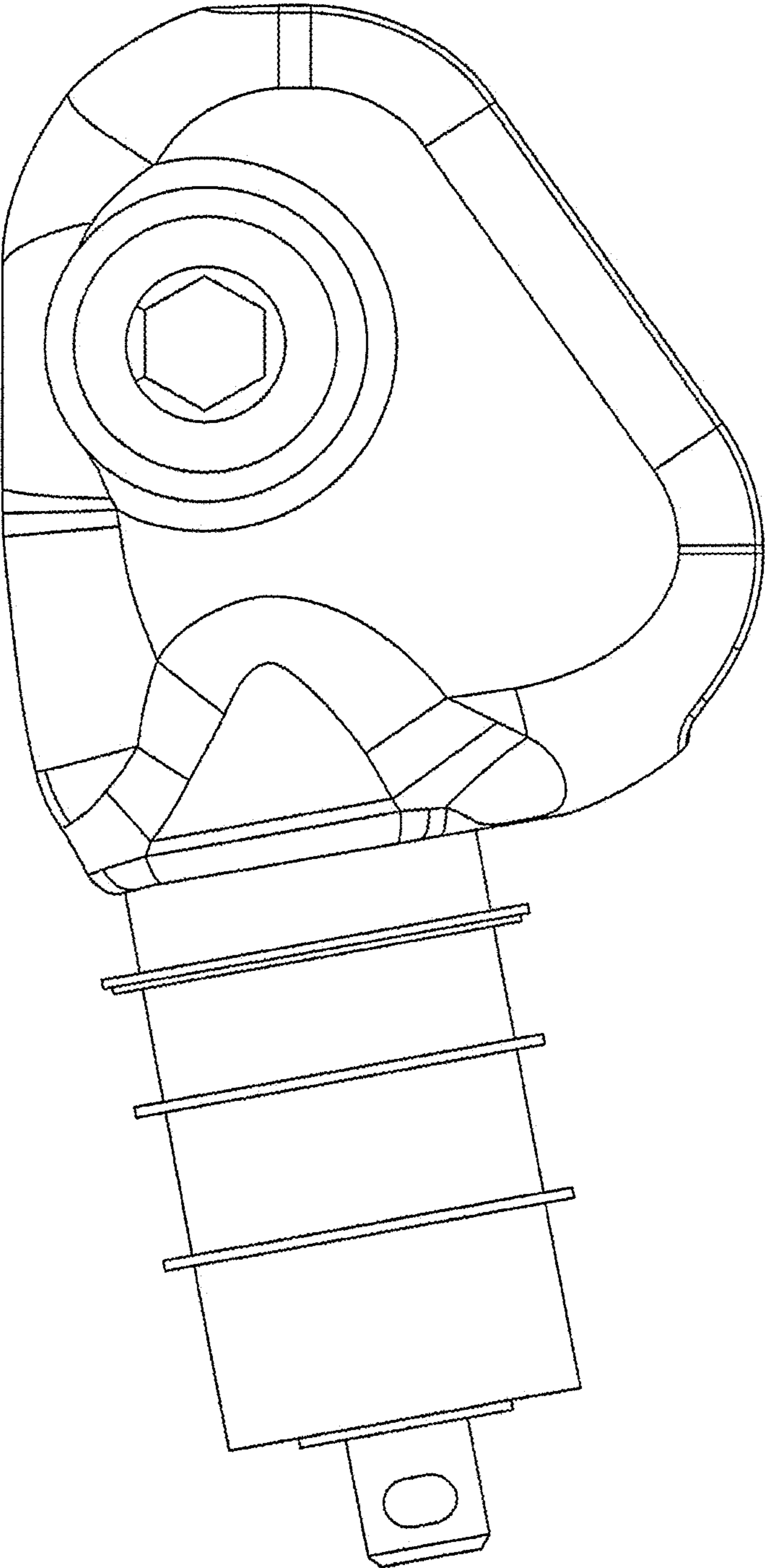


FIG. 3

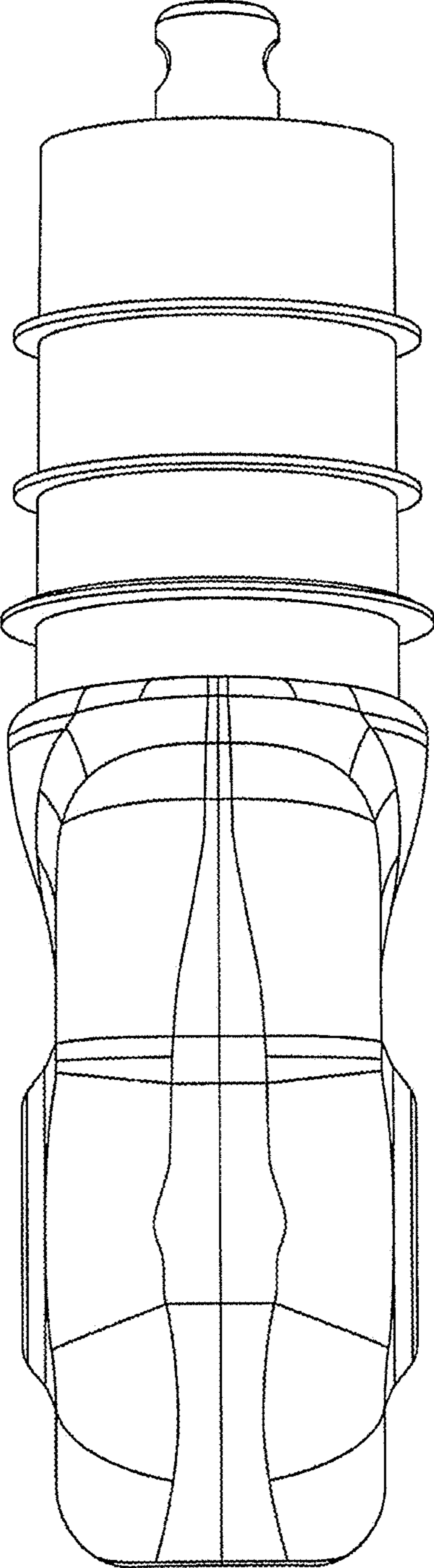


FIG. 4

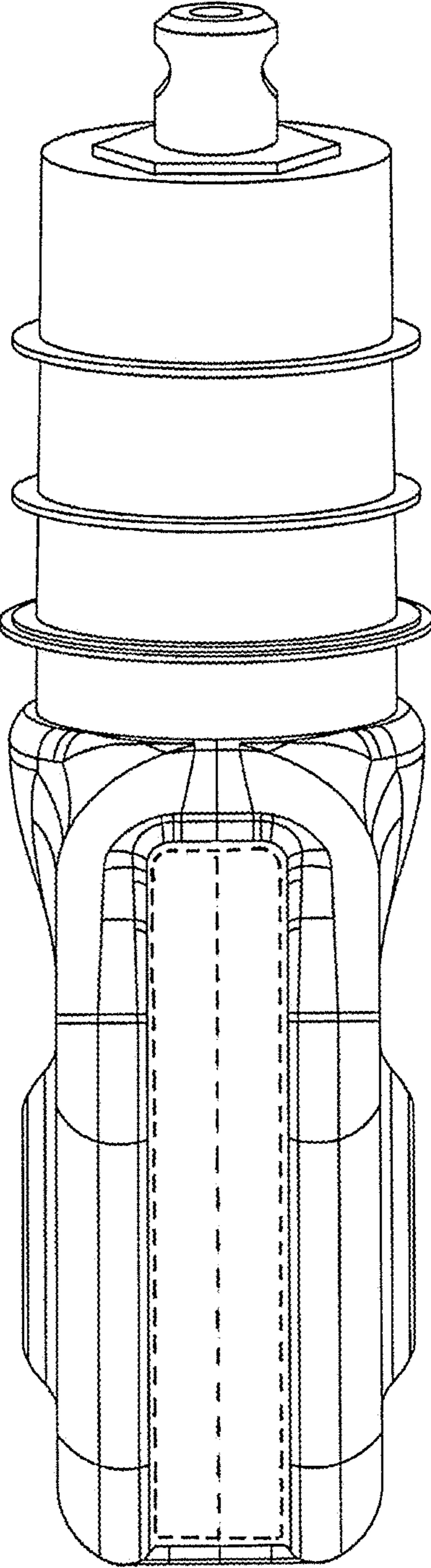


FIG. 5

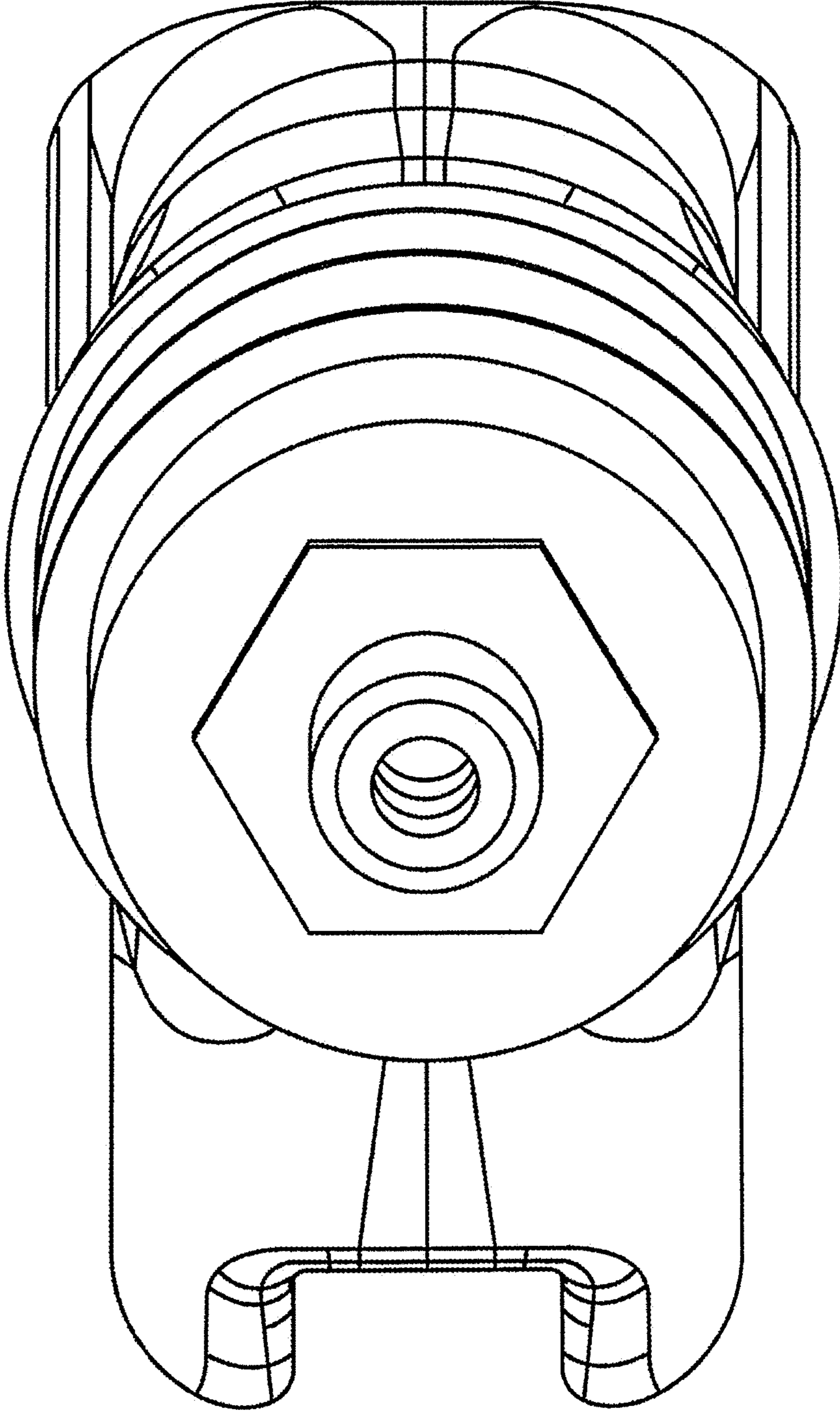


FIG. 6

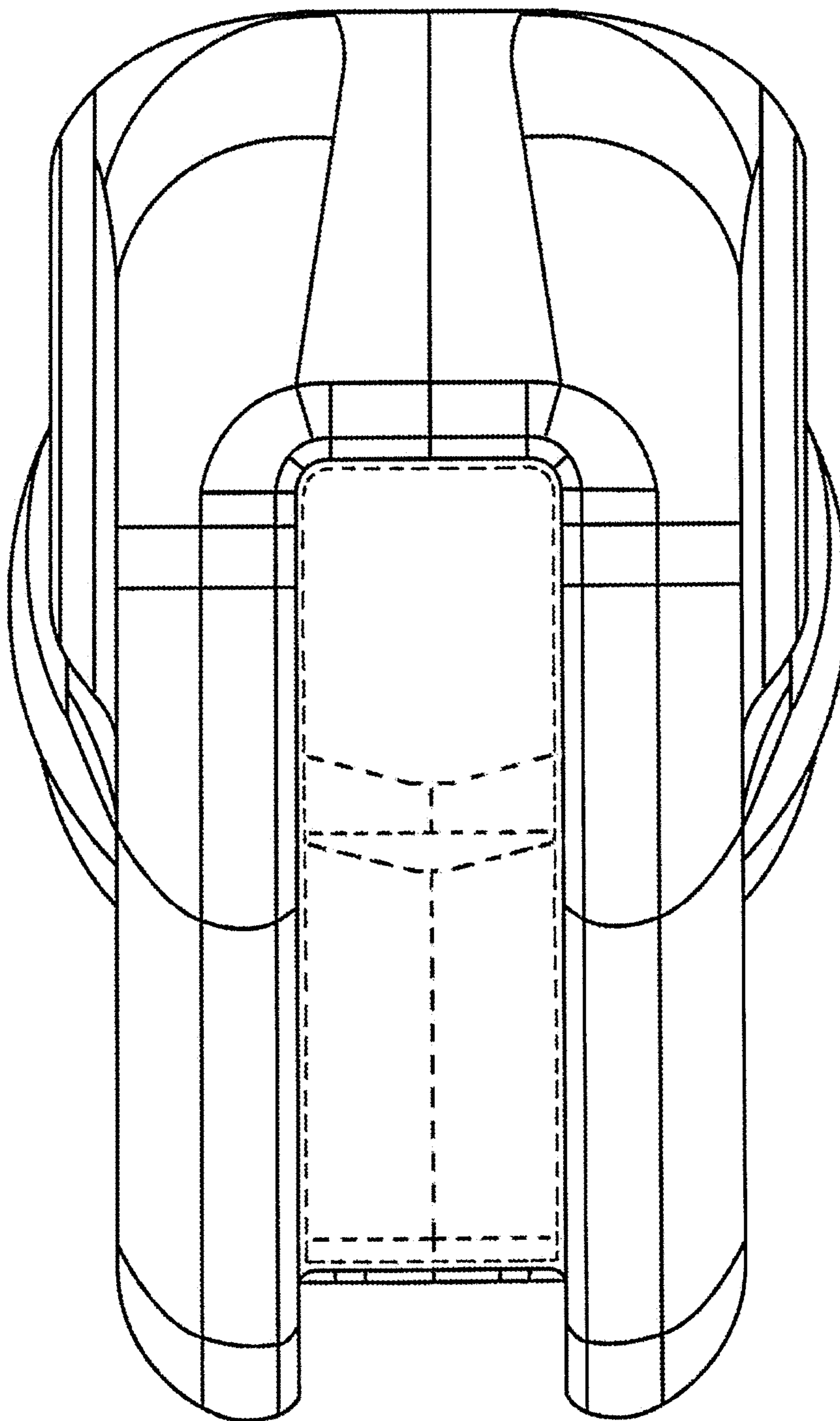


FIG. 7

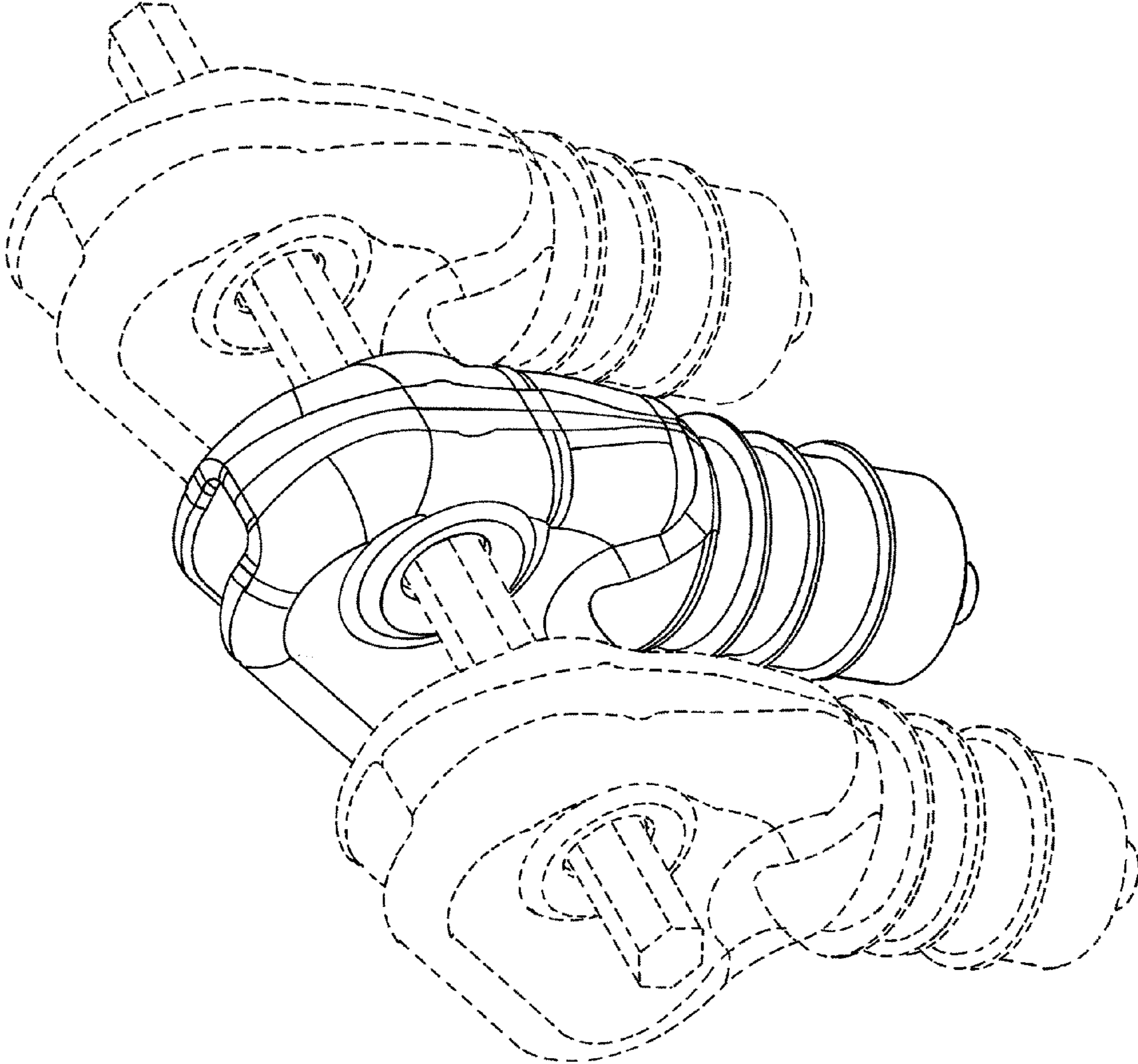


FIG. 8