



US00D690262S

(12) **United States Design Patent**
Huang et al.

(10) **Patent No.:** **US D690,262 S**

(45) **Date of Patent:** **** Sep. 24, 2013**

(54) **PORTABLE BATTERY PACK**

(71) Applicant: **Chi Mei Communication Systems, Inc.**, New Taipei (TW)

(72) Inventors: **Po-Ching Huang**, New Taipei (TW);
Tzu-Cheng Yu, Santa Clara, CA (US)

(73) Assignee: **Chi Mei Communication Systems, Inc.**, New Taipei (TW)

(**) Term: **14 Years**

(21) Appl. No.: **29/440,702**

(22) Filed: **Dec. 26, 2012**

(30) **Foreign Application Priority Data**

Nov. 6, 2012 (CN) 2012 3 0534930

(51) **LOC (9) Cl.** **13-02**

(52) **U.S. Cl.**
USPC **D13/103; D13/108**

(58) **Field of Classification Search**
USPC D13/102-108, 110, 118-121, 184,
D13/199; 429/96-100, 163, 176; D14/251,
D14/253, 432, 434; 320/107-115
See application file for complete search history.

(56) **References Cited**

U.S. PATENT DOCUMENTS

D328,056	S	*	7/1992	Watanabe et al.	D13/108
D502,913	S	*	3/2005	Fukami et al.	D13/108
D517,007	S	*	3/2006	Yong-Jian et al.	D13/108
D614,124	S	*	4/2010	Mistyurik	D13/103
D630,163	S	*	1/2011	Yeh	D13/108
D642,121	S	*	7/2011	Lee et al.	D13/108
D656,459	S	*	3/2012	Crawley	D13/108
D660,794	S	*	5/2012	Fahrendorff et al.	D13/108
D662,491	S	*	6/2012	Andre et al.	D14/217

* cited by examiner

Primary Examiner — Rosemary K Tarcza
(74) *Attorney, Agent, or Firm* — Altis Law Group, Inc.

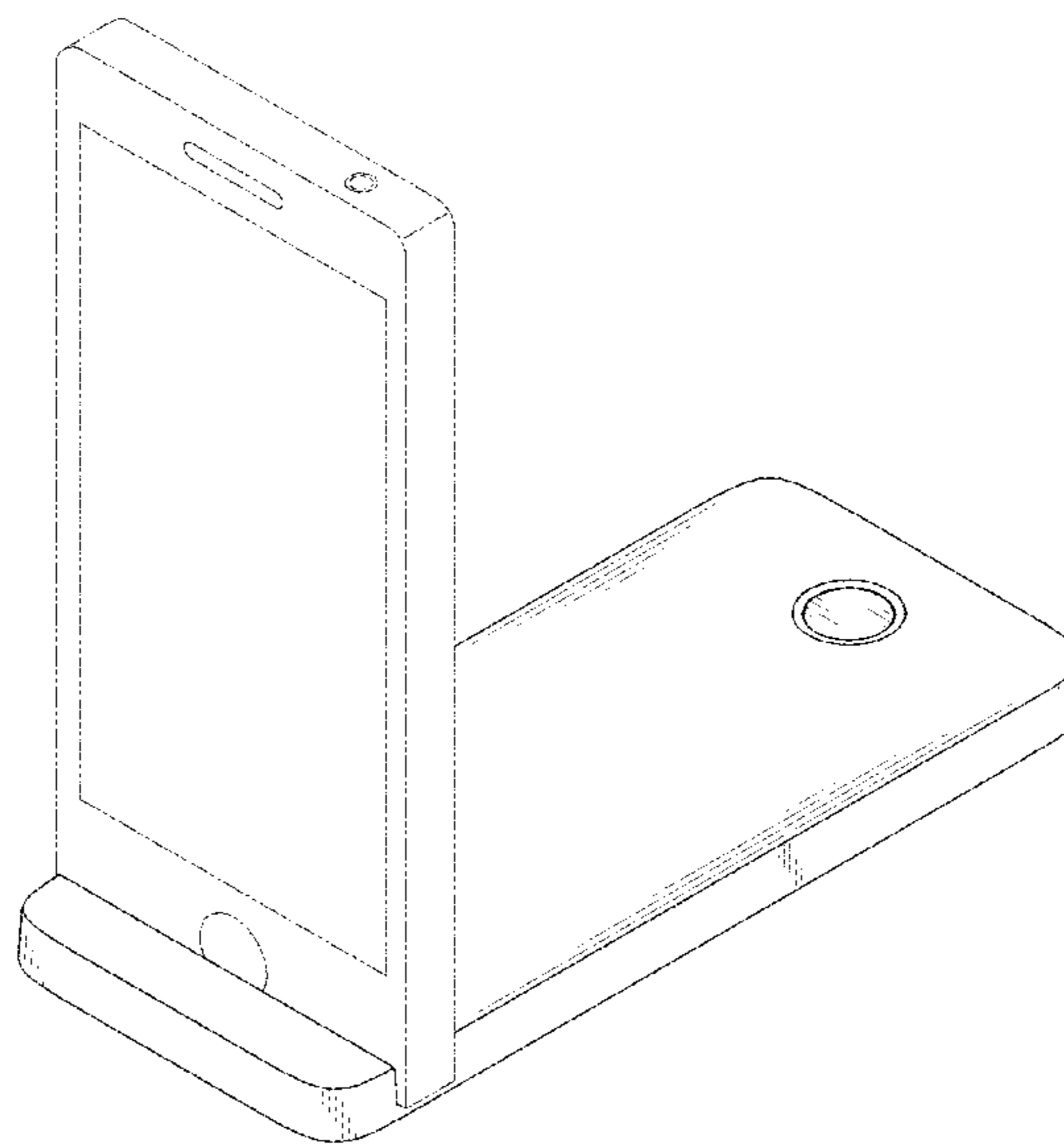
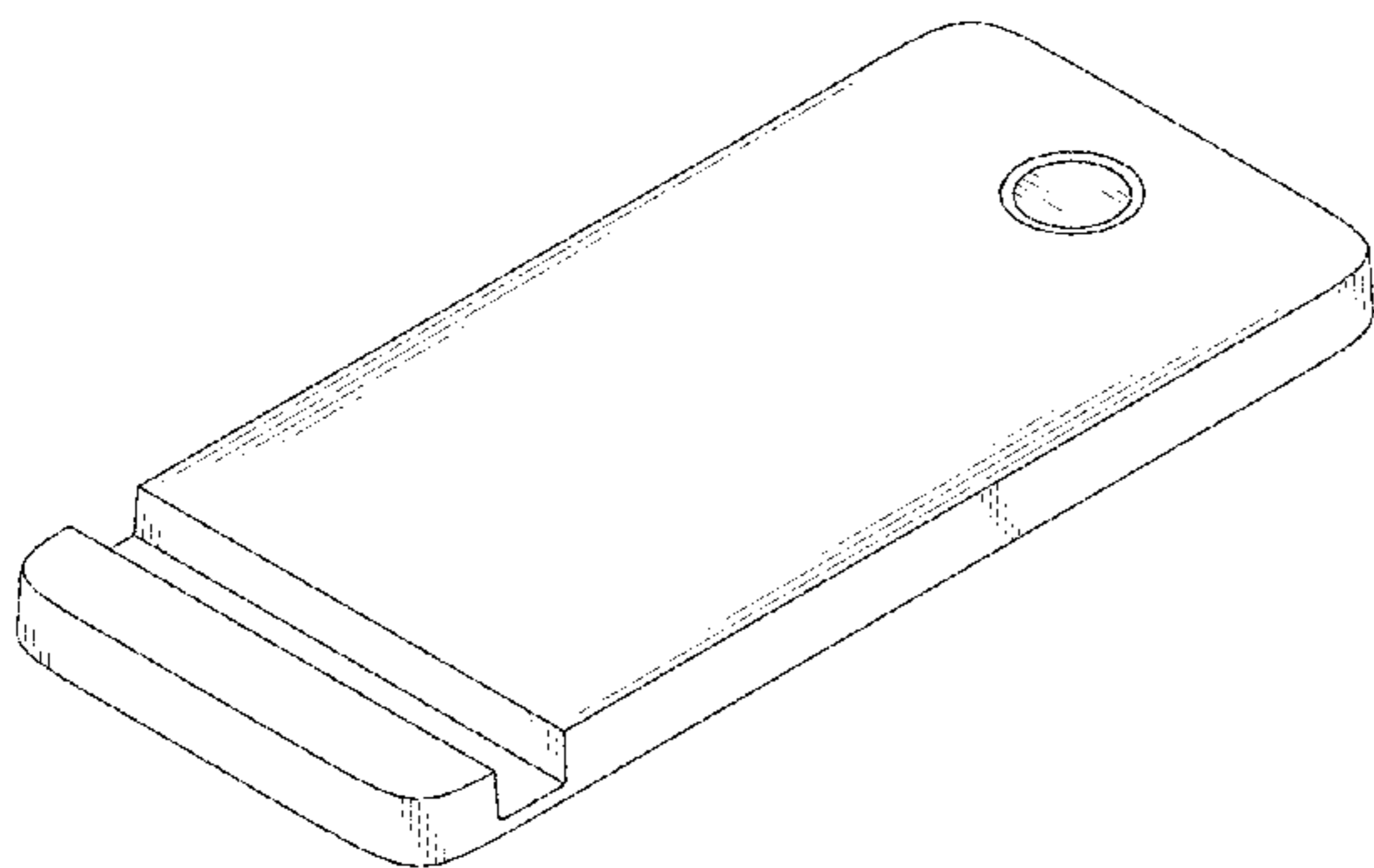
(57) **CLAIM**

The ornamental design for a portable battery pack, as shown and described.

DESCRIPTION

FIG. 1 is a perspective view of a portable battery pack showing our new design;
FIG. 2 is a front elevational view thereof;
FIG. 3 is a rear elevational view thereof;
FIG. 4 is a left side elevational view thereof;
FIG. 5 is a right side elevational view thereof;
FIG. 6 is a top plan view thereof;
FIG. 7 is a bottom plan view thereof; and,
FIG. 8 is a perspective view thereof when in a use holding an electronic device.
The broken lines of FIGS. 6 and 8 are for showing environmental features and are not part of the design.

1 Claim, 8 Drawing Sheets



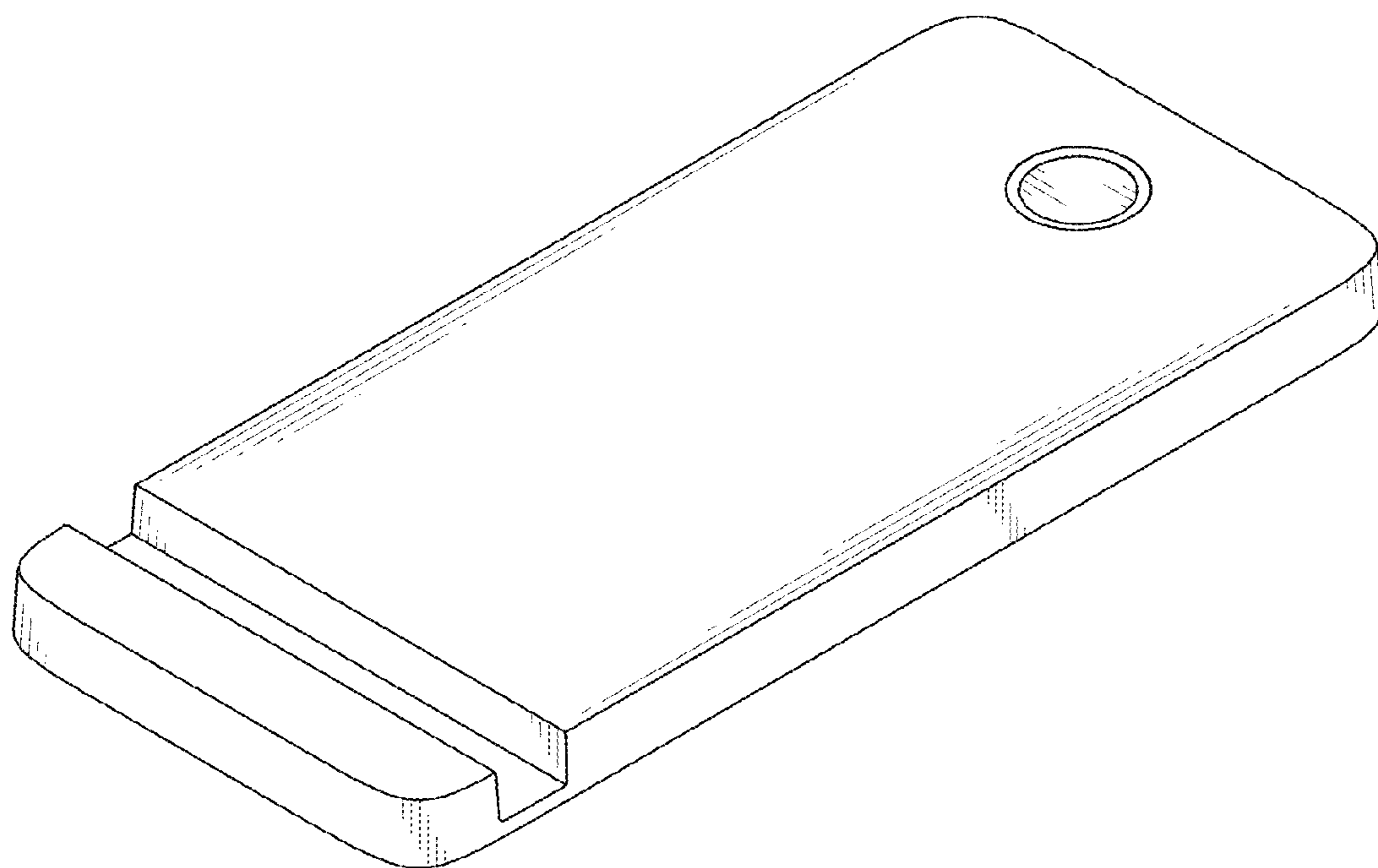


FIG. 1

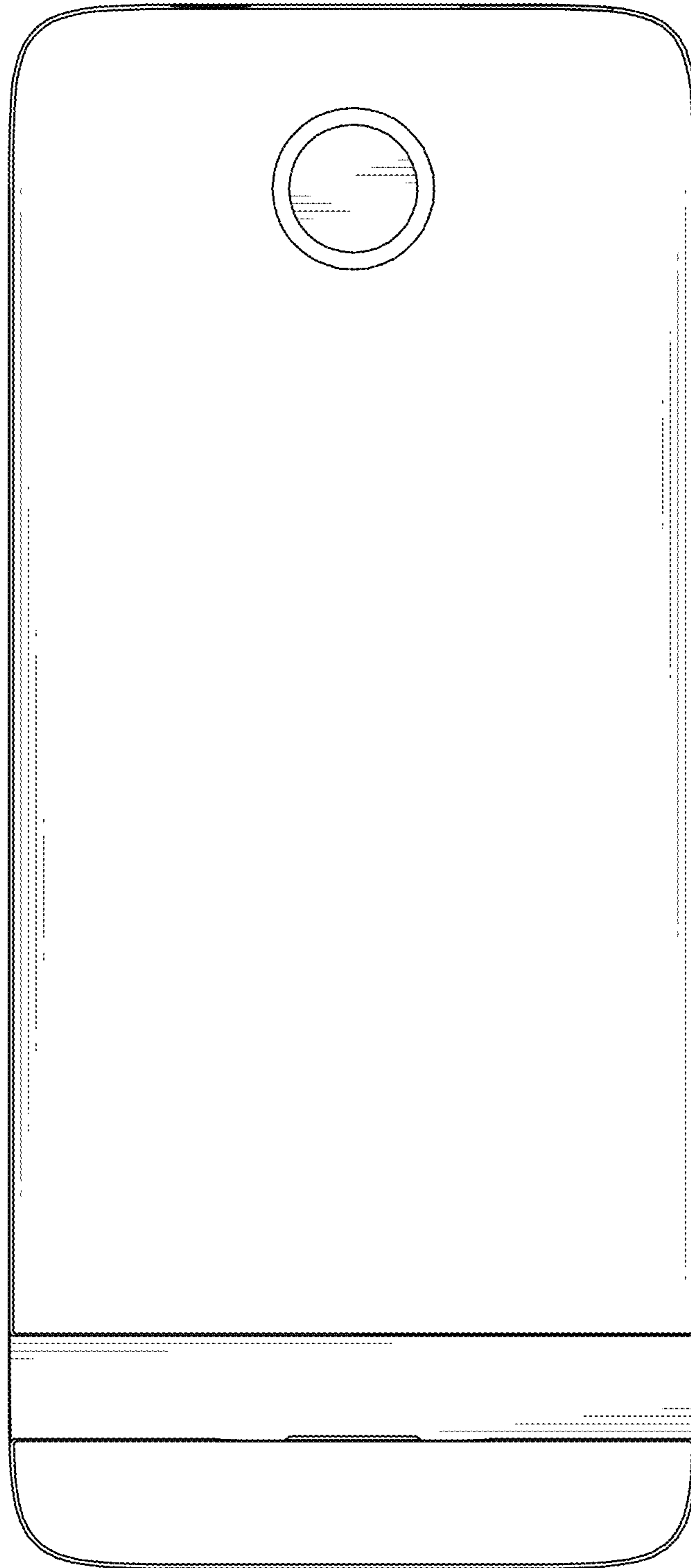


FIG. 2

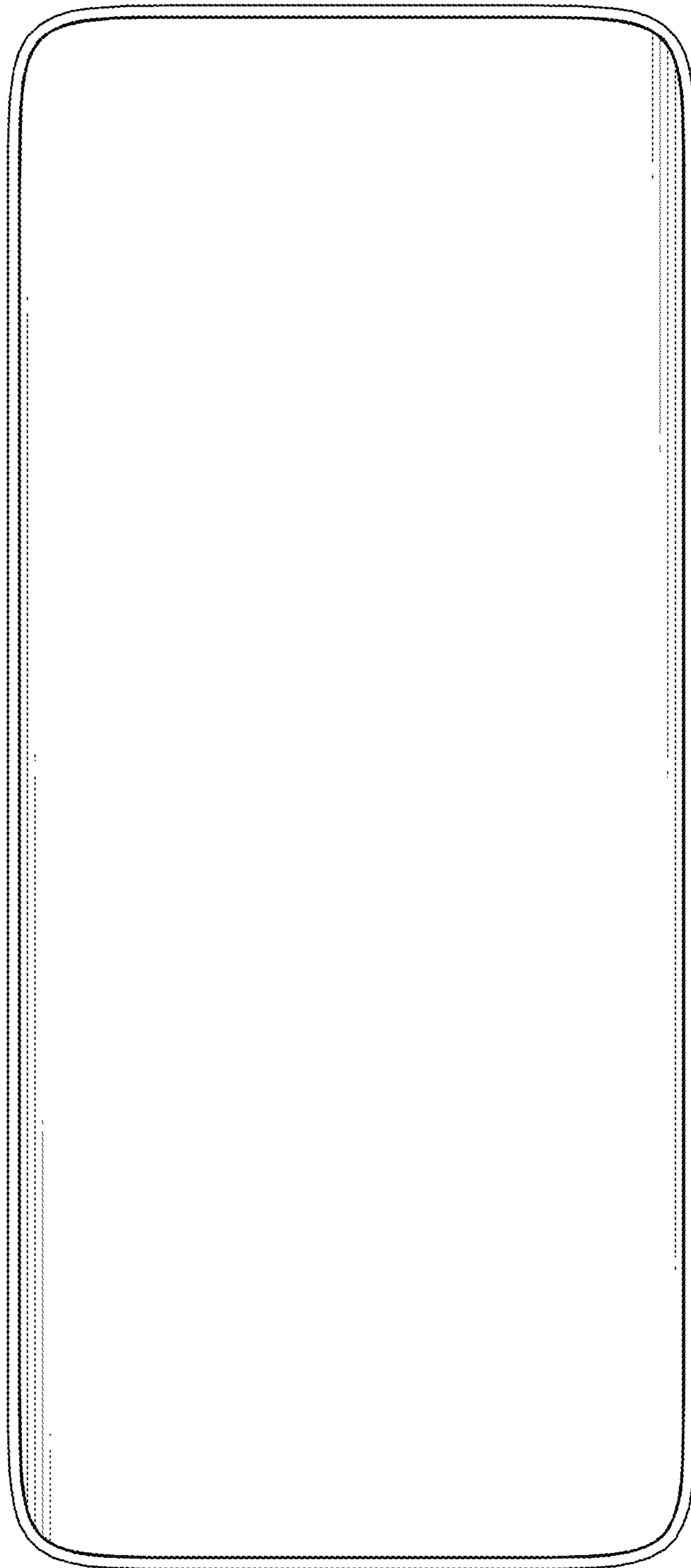


FIG. 3



FIG. 4

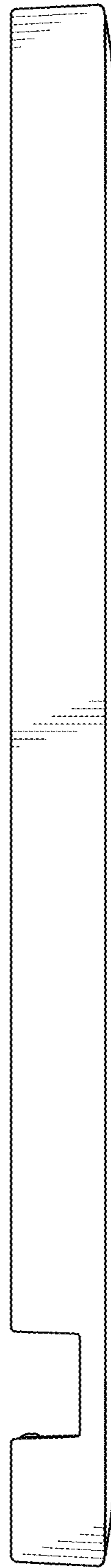


FIG. 5



FIG. 6



FIG. 7

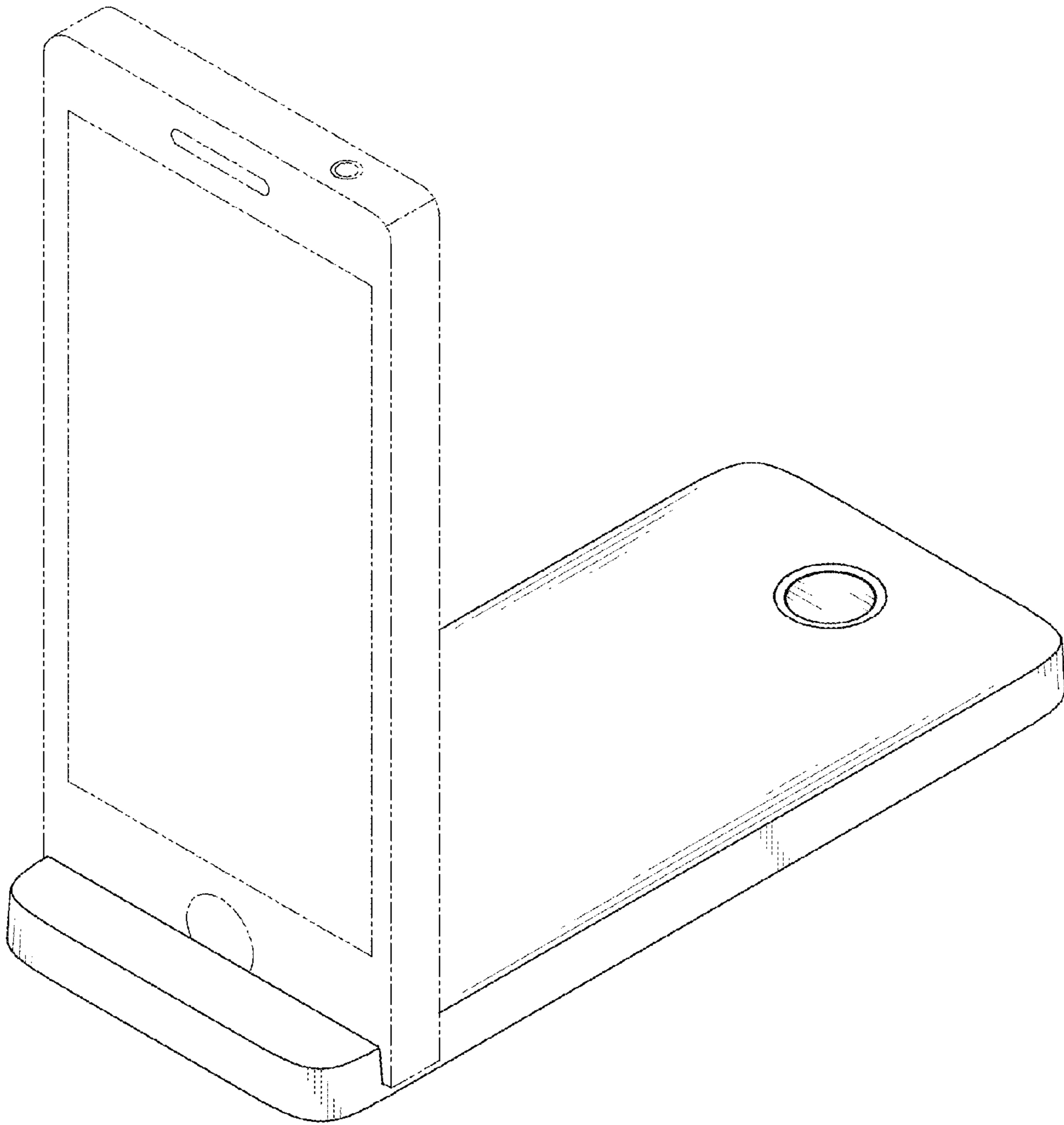


FIG. 8