



US00D690257S

(12) **United States Design Patent**  
**Willis**

(10) **Patent No.:** **US D690,257 S**

(45) **Date of Patent:** **\*\* Sep. 24, 2013**

(54) **BLIND FOR CARTS**

(71) Applicant: **Triple Tree Inc.**, Camilla, GA (US)

(72) Inventor: **Benny M. Willis**, Cordele, GA (US)

(73) Assignee: **Triple Tree Inc.**, Camilla, GA (US)

(\*\*) Term: **14 Years**

(21) Appl. No.: **29/444,105**

(22) Filed: **Jan. 25, 2013**

(51) **LOC (9) Cl.** ..... **12-16**

(52) **U.S. Cl.**  
USPC ..... **D12/404**

(58) **Field of Classification Search**  
USPC ..... D12/401-405; 160/370.21, 370.22,  
160/370.23; 280/770; 150/158, 165-167;  
296/98, 100.01-100.18, 136.01, 136.05,  
296/136.06, 136.07, 95.1, 77.1; 135/88.01,  
135/95

See application file for complete search history.

(56) **References Cited**

U.S. PATENT DOCUMENTS

2,742,674 A \* 4/1956 Melder ..... 52/64  
5,720,312 A \* 2/1998 Scheuermann ..... 135/88.09

6,206,446 B1 \* 3/2001 Slayden ..... 296/77.1  
6,439,645 B1 \* 8/2002 Pedersen ..... 296/161  
7,255,121 B2 \* 8/2007 Milner et al. .... 135/88.01  
7,523,976 B1 \* 4/2009 Severson ..... 296/107.01  
D682,747 S \* 5/2013 McAlister et al. .... D12/114

\* cited by examiner

*Primary Examiner* — Katrina A Betton

(74) *Attorney, Agent, or Firm* — Brian D. Bellamy

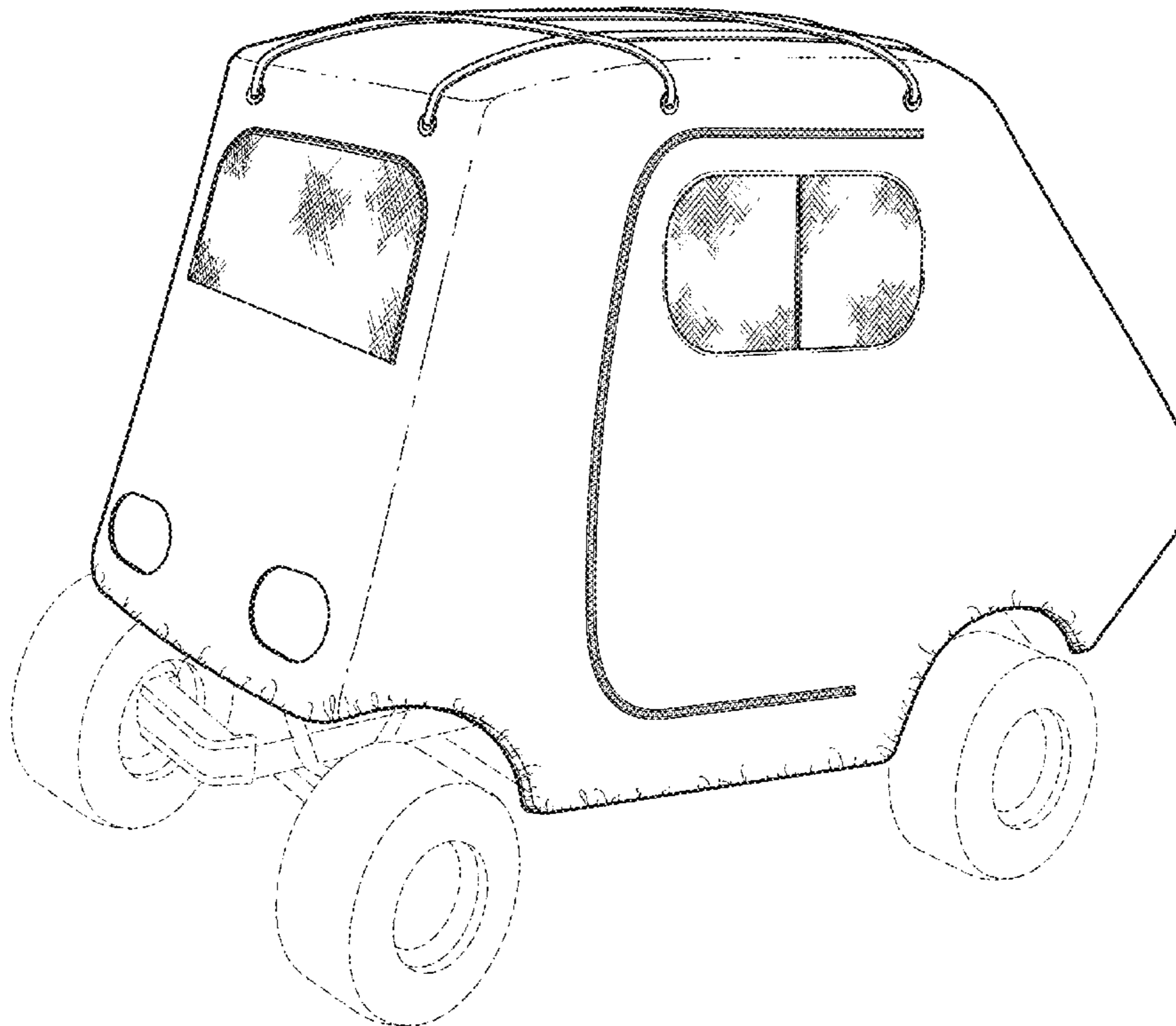
(57) **CLAIM**

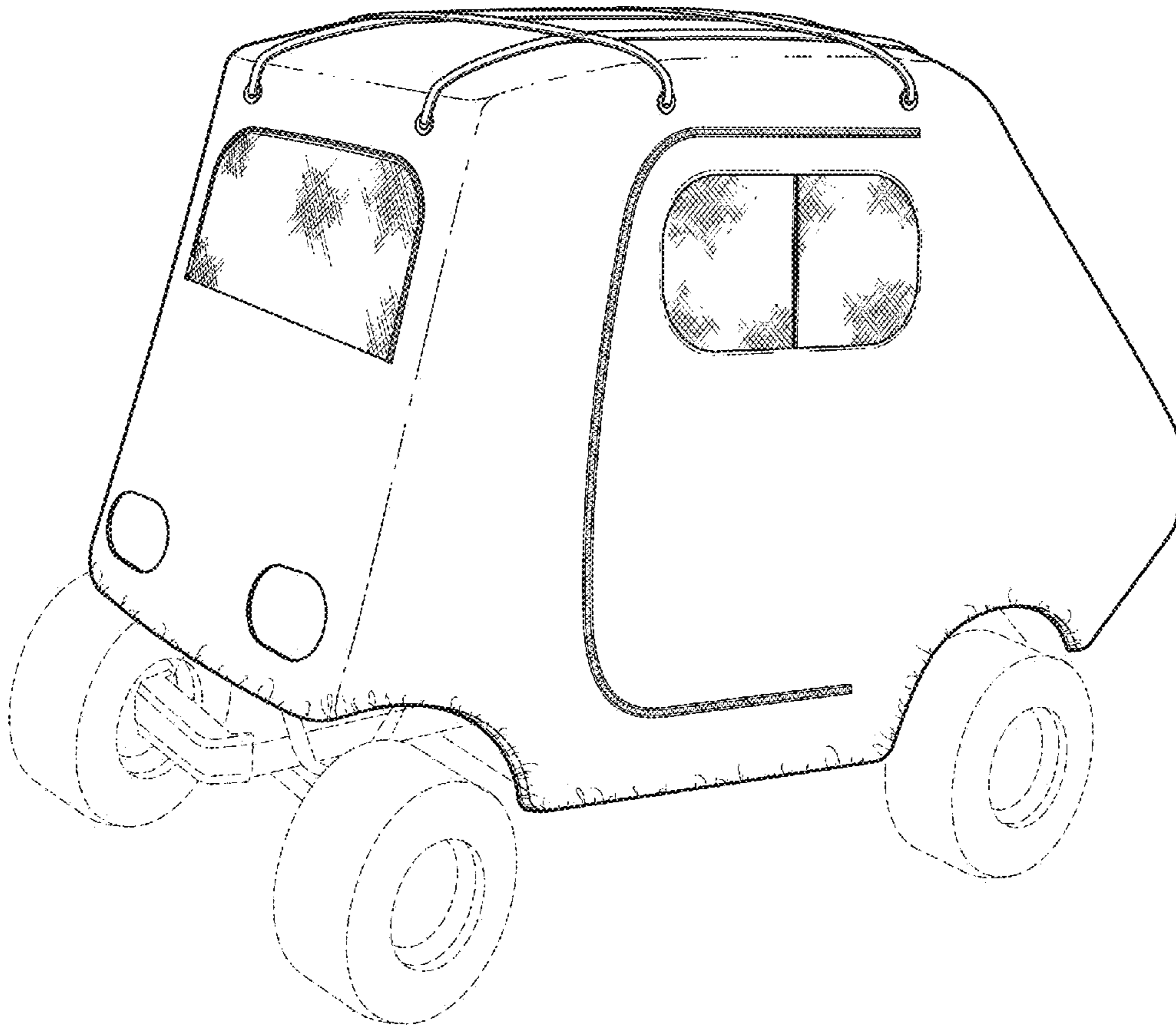
The ornamental design for a blind for carts, as shown.

**DESCRIPTION**

FIG. 1 is a front perspective view of a blind for carts showing my new design;  
FIG. 2 is a front elevational view thereof;  
FIG. 3 is a rear elevational view thereof;  
FIG. 4 is a right side elevational view thereof, the left side being a mirror image thereof; and,  
FIG. 5 is a top plan view thereof.  
The broken line showing the cart in FIGS. 1-5 illustrates the environment in which the design is used, assists in showing how the claimed design appears when used, and forms no part of the claim.

**1 Claim, 4 Drawing Sheets**





*Fig. 1*

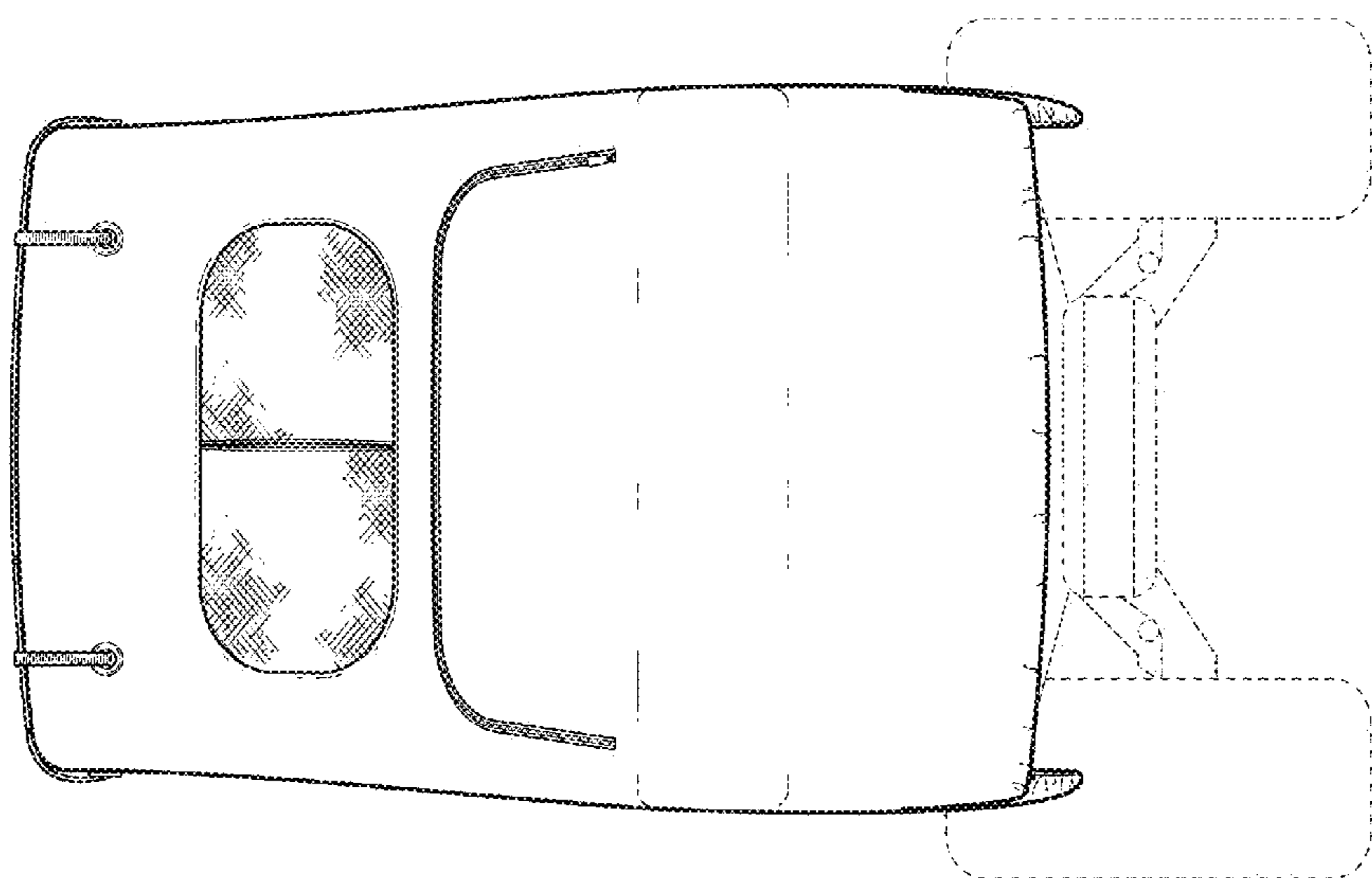


Fig. 3

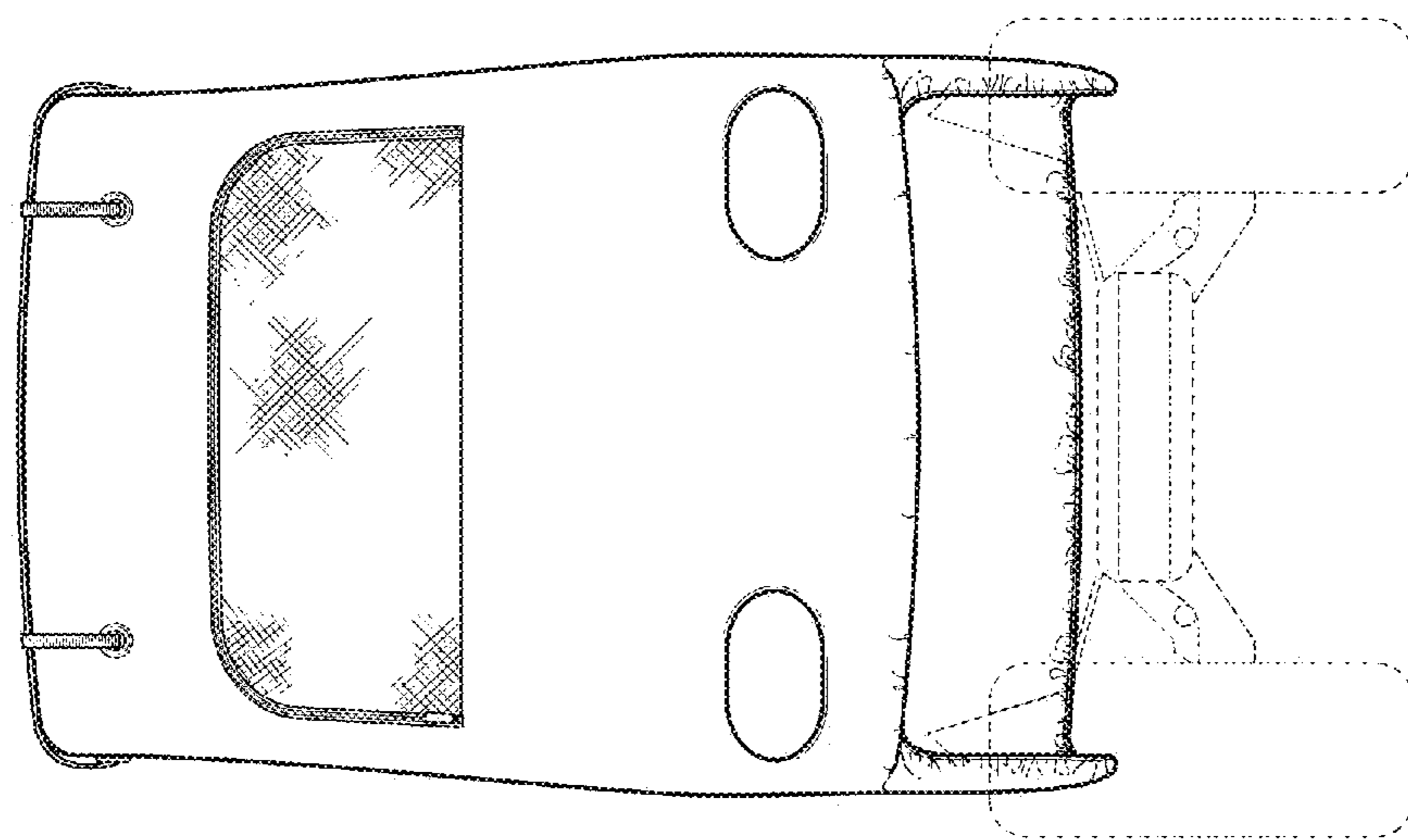
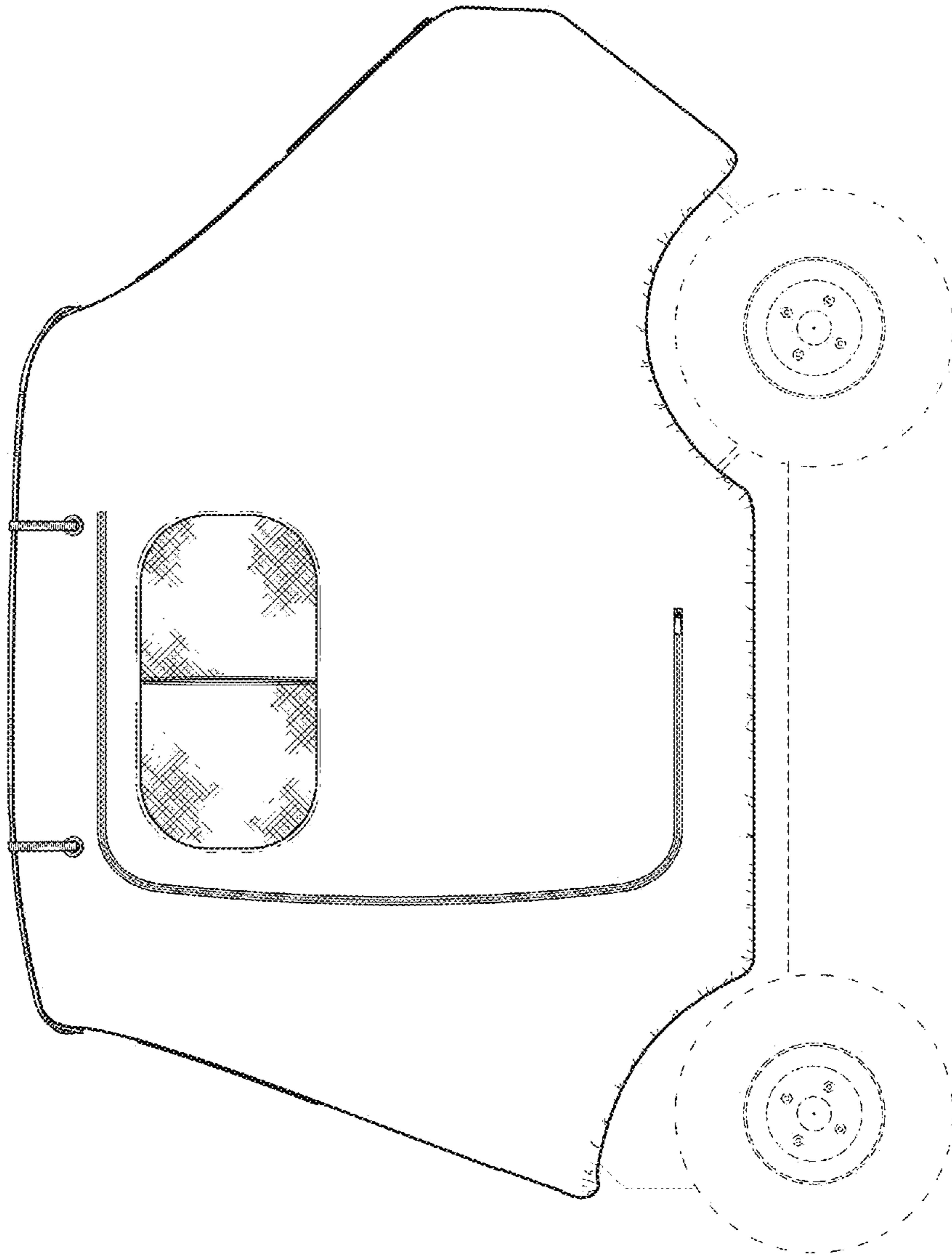
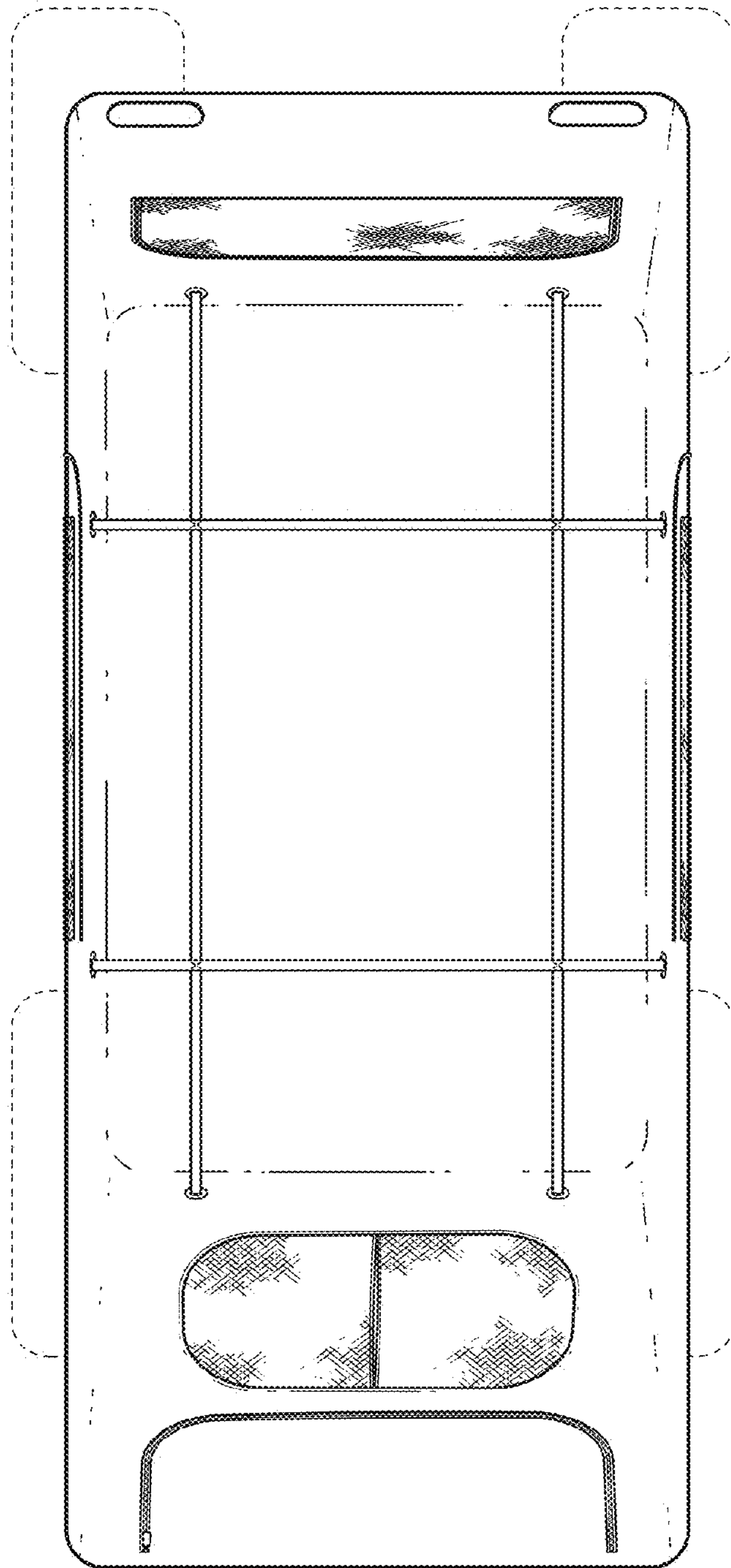


Fig. 2



*Fig. 4*



*Fig. 5*