



US00D690256S

(12) **United States Design Patent**
Ewringmann

(10) **Patent No.:** **US D690,256 S**

(45) **Date of Patent:** **** Sep. 24, 2013**

- (54) **ROOF FOR A ROAD ROLLER**
- (71) Applicant: **Hamm AG**, Tirschenreuth (DE)
- (72) Inventor: **Ulrich Ewringmann**, Taufkirchen (DE)
- (73) Assignee: **Hamm AG**, Tirschenreuth (DE)

(**) Term: **14 Years**

(21) Appl. No.: **29/452,329**

(22) Filed: **Apr. 15, 2013**

(51) **LOC (9) Cl.** **12-16**

(52) **U.S. Cl.**
USPC **D12/401**

(58) **Field of Classification Search**
USPC D12/401-405; 160/370.21, 370.22,
160/370.23; 280/770; 150/158, 165-167;
296/98, 100.01-100.18, 136.01, 136.05,
296/136.06, 136.07, 95.1, 77.1; 135/88.01,
135/95

See application file for complete search history.

(56) **References Cited**

U.S. PATENT DOCUMENTS

- 5,094,500 A * 3/1992 Maypole et al. 296/102
- D330,350 S * 10/1992 Maypole et al. D12/16
- D431,018 S * 9/2000 Maypole D12/401
- D453,727 S * 2/2002 Shugar et al. D12/401
- D497,872 S * 11/2004 Bonner et al. D12/401

- D534,188 S * 12/2006 Shuttleworth et al. D15/33
- D549,639 S * 8/2007 Tuo D12/401
- D550,145 S * 9/2007 Fisker et al. D12/401
- D586,721 S * 2/2009 Hildebrand et al. D12/401
- D639,229 S * 6/2011 van Voorst tot Voorst ... D12/401
- 7,966,774 B2 * 6/2011 Kea et al. 52/66
- D678,173 S * 3/2013 McIntire D12/401

* cited by examiner

Primary Examiner — Katrina A Betton

(74) *Attorney, Agent, or Firm* — Maier & Maier PLLC

(57) **CLAIM**

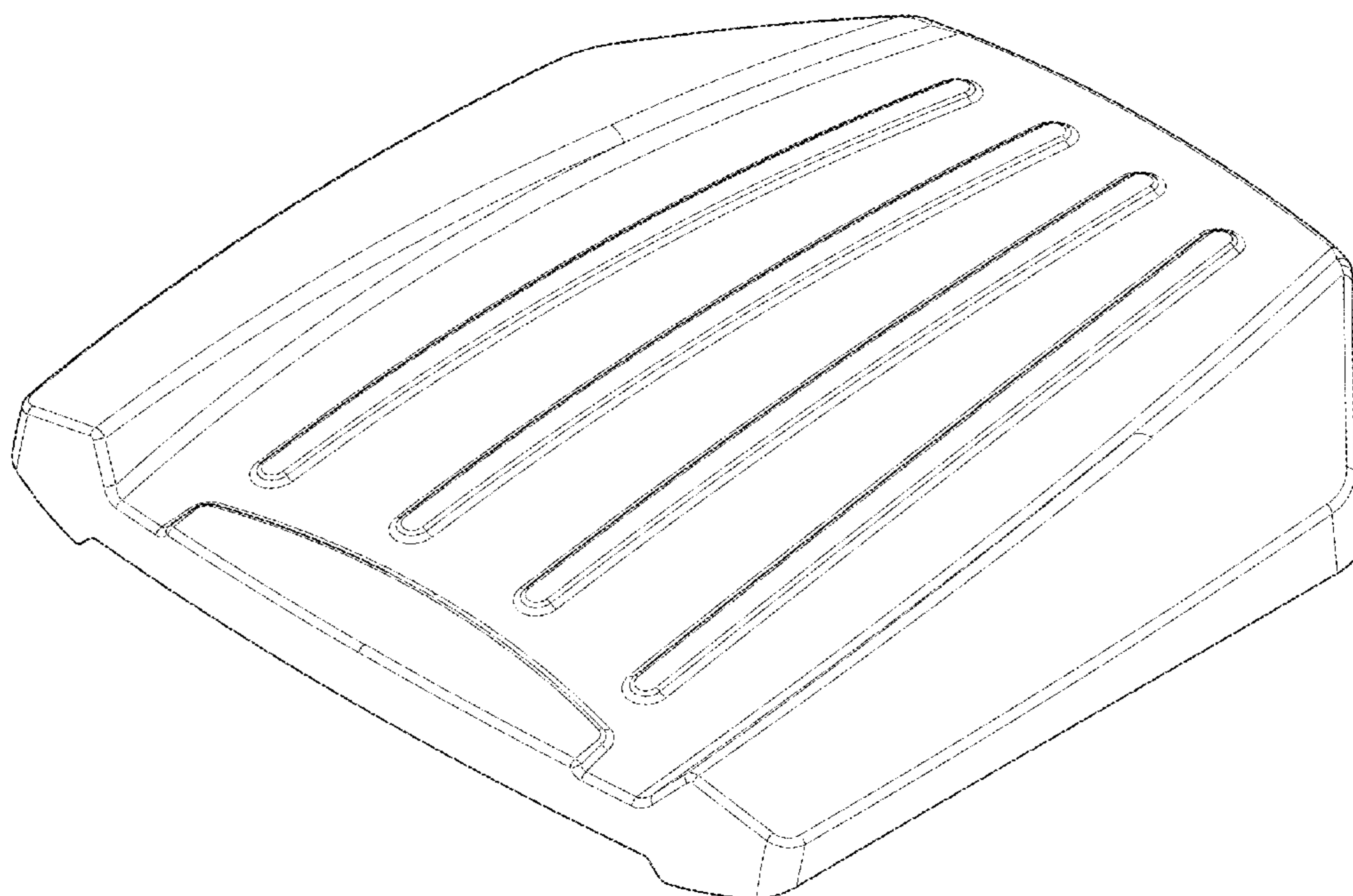
The ornamental design for a roof for a road roller, as shown and described.

DESCRIPTION

FIG. 1 is a front left perspective view of a roof for a road roller, showing my design;
 FIG. 2 is a rear right perspective view thereof;
 FIG. 3 is a front view thereof;
 FIG. 4 is a rear view thereof;
 FIG. 5 is a left side view thereof;
 FIG. 6 is a right side view thereof;
 FIG. 7 is a top view thereof;
 FIG. 8 is a bottom view thereof; and,
 FIG. 9 is a front left perspective view of the roof for a road roller in use on a road roller.

The broken line showing of a road roller in FIG. 9 is included for the purpose of illustrating environmental structure only and forms no part of the claimed design.

1 Claim, 7 Drawing Sheets



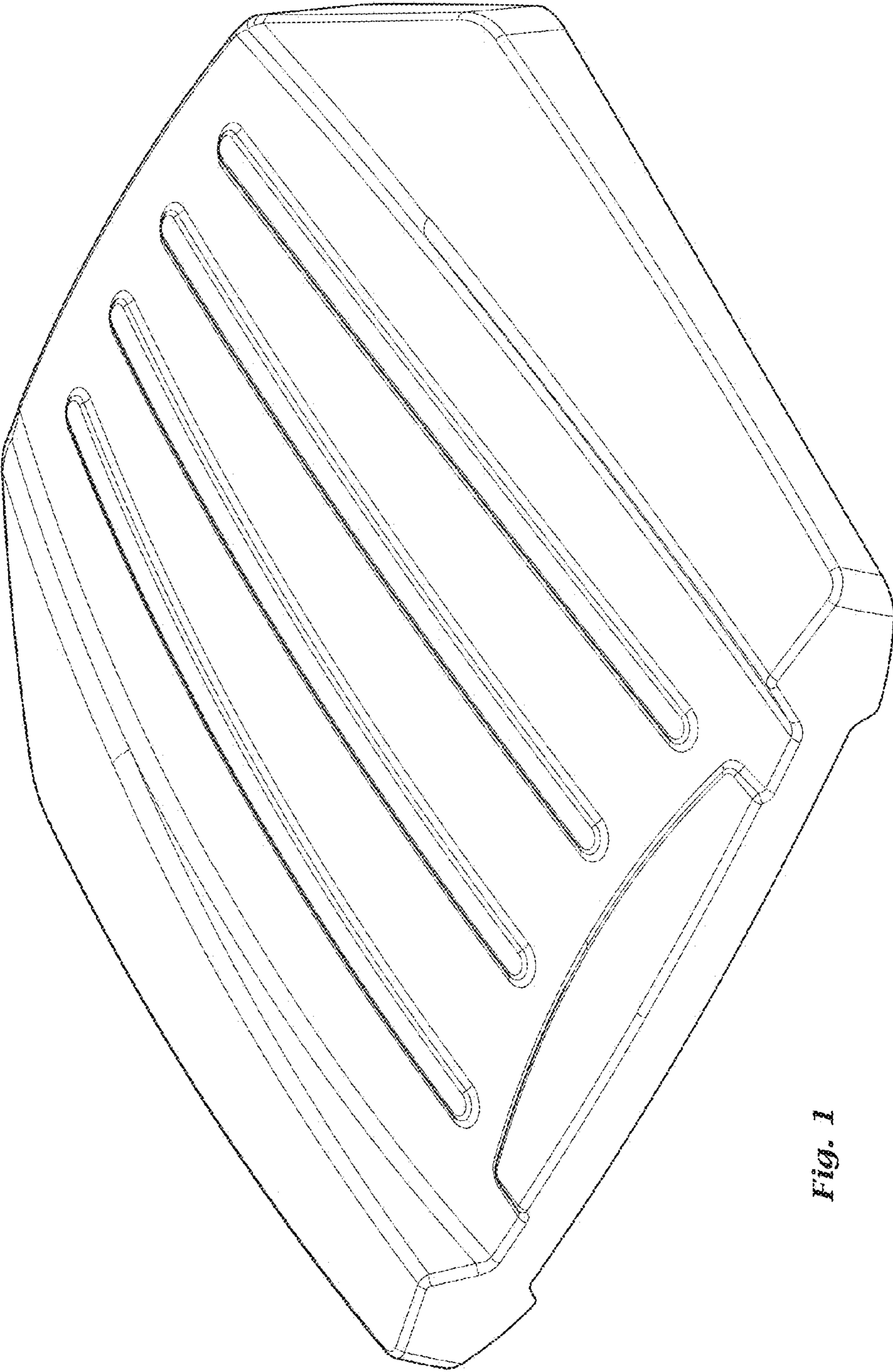


Fig. 1

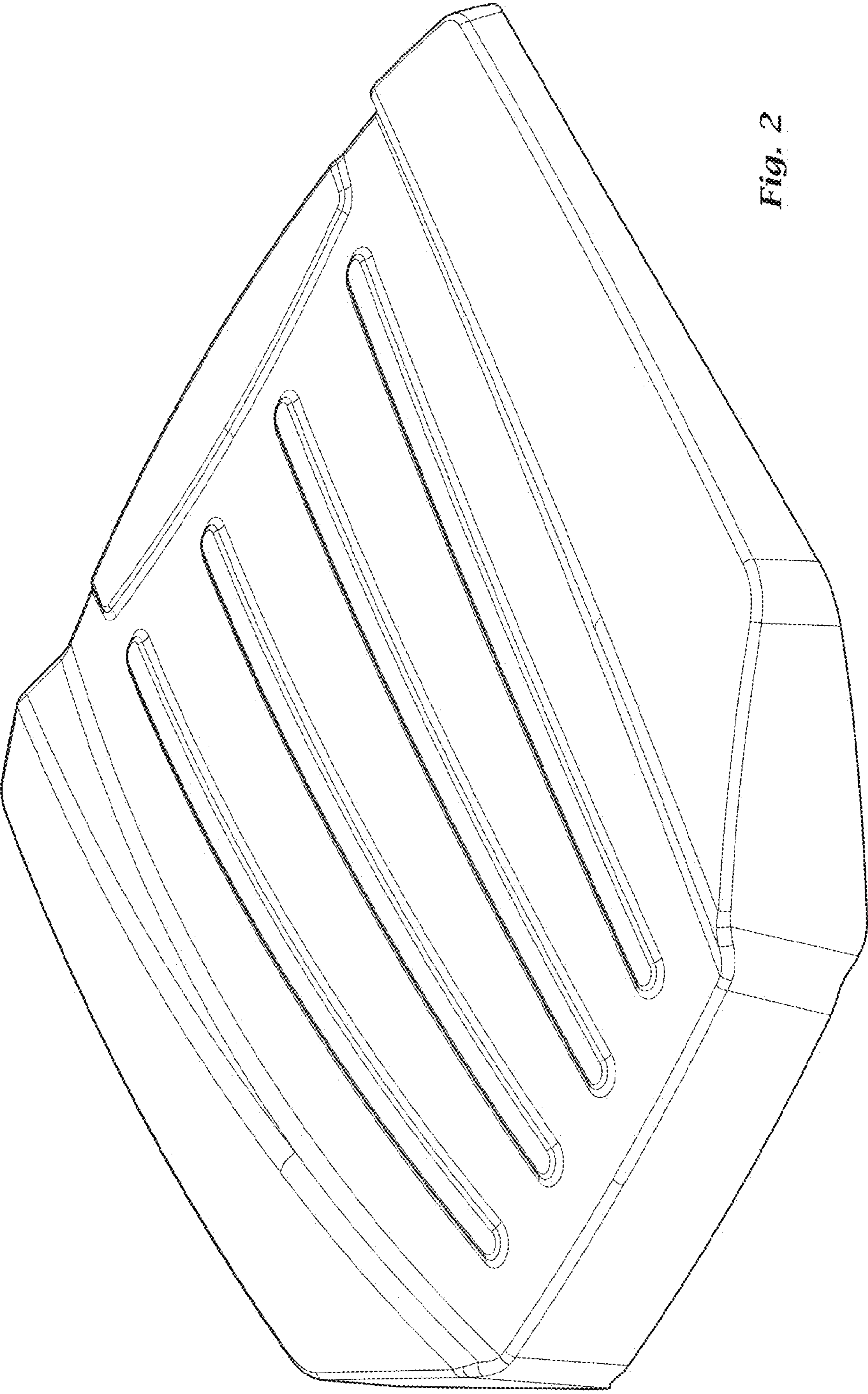


Fig. 2

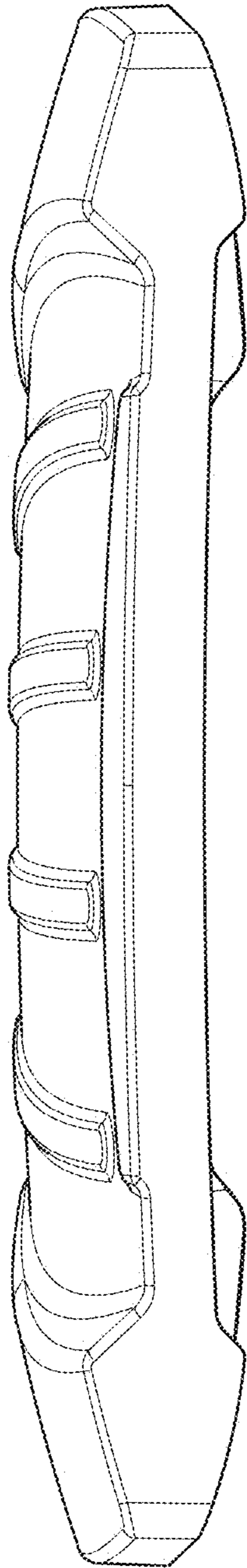


Fig. 3

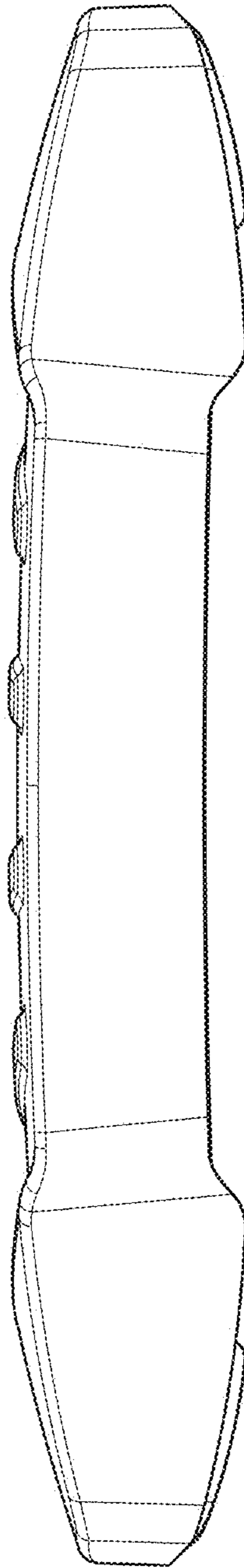


Fig. 4

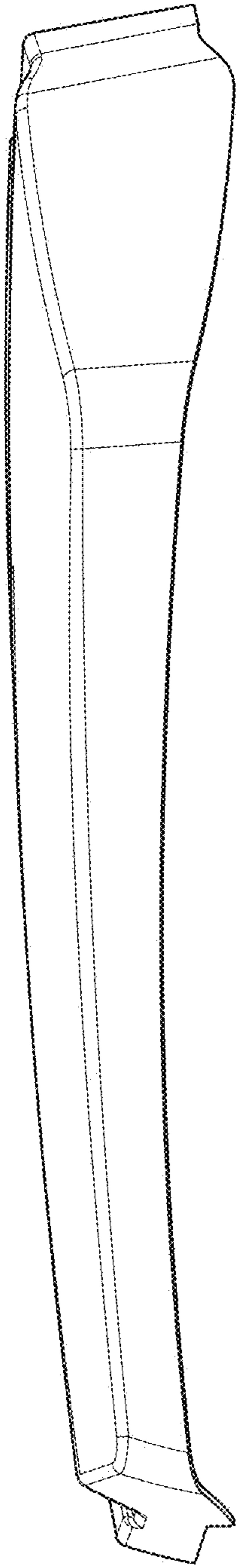


Fig. 5

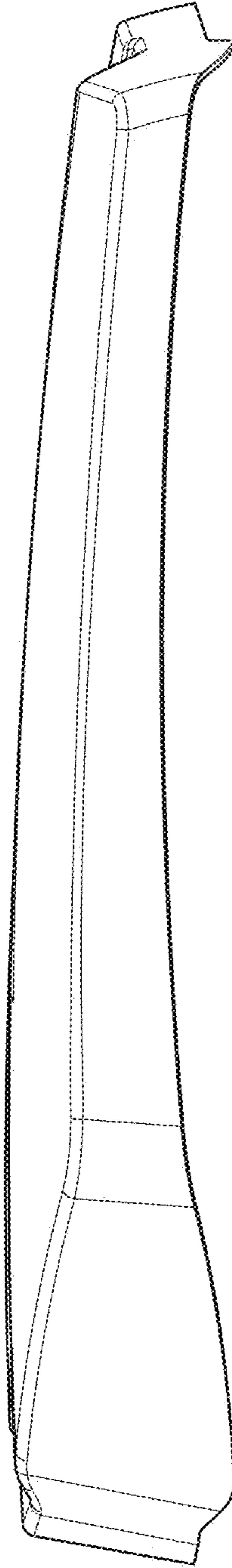


Fig. 6

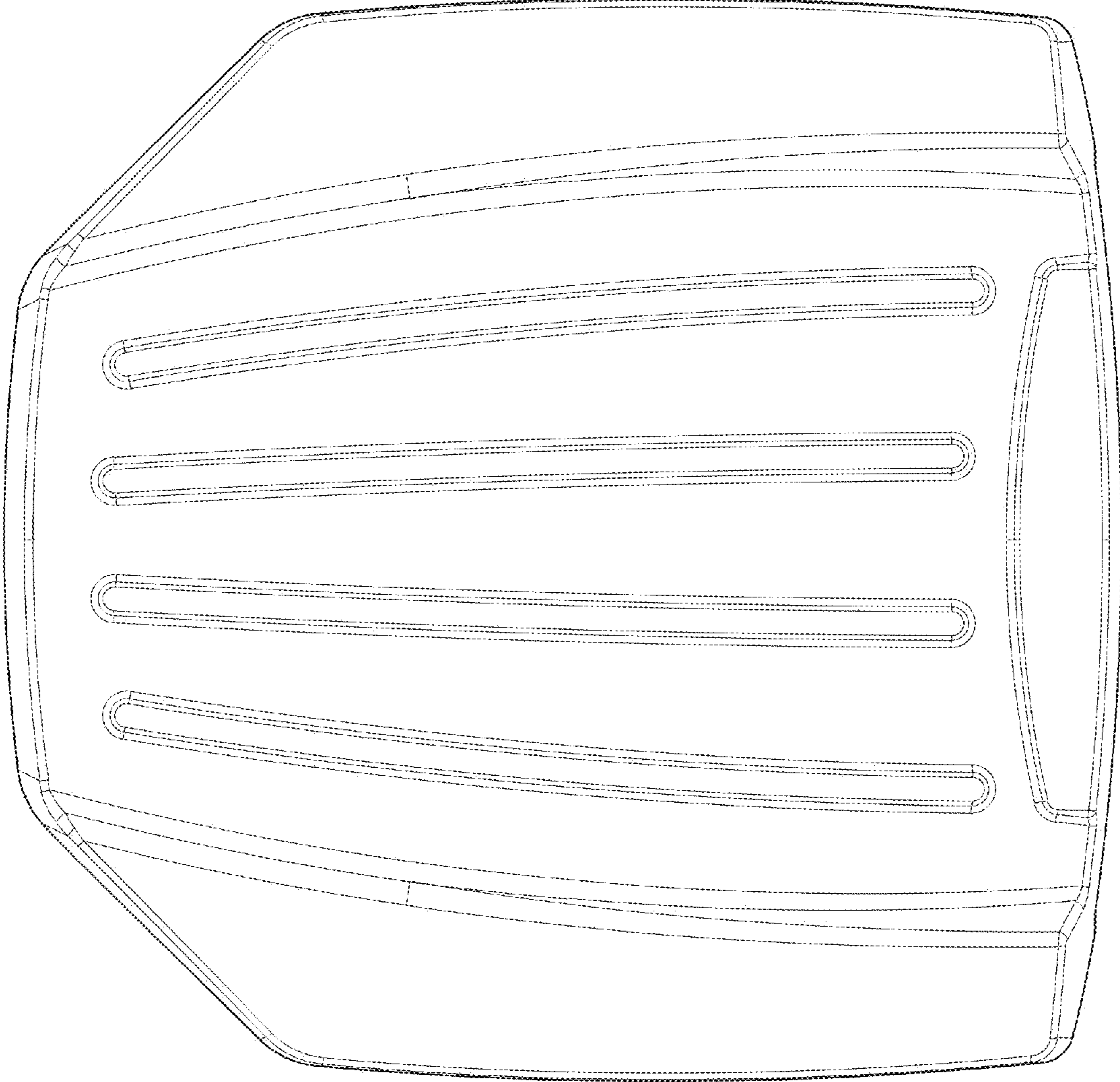


Fig. 7

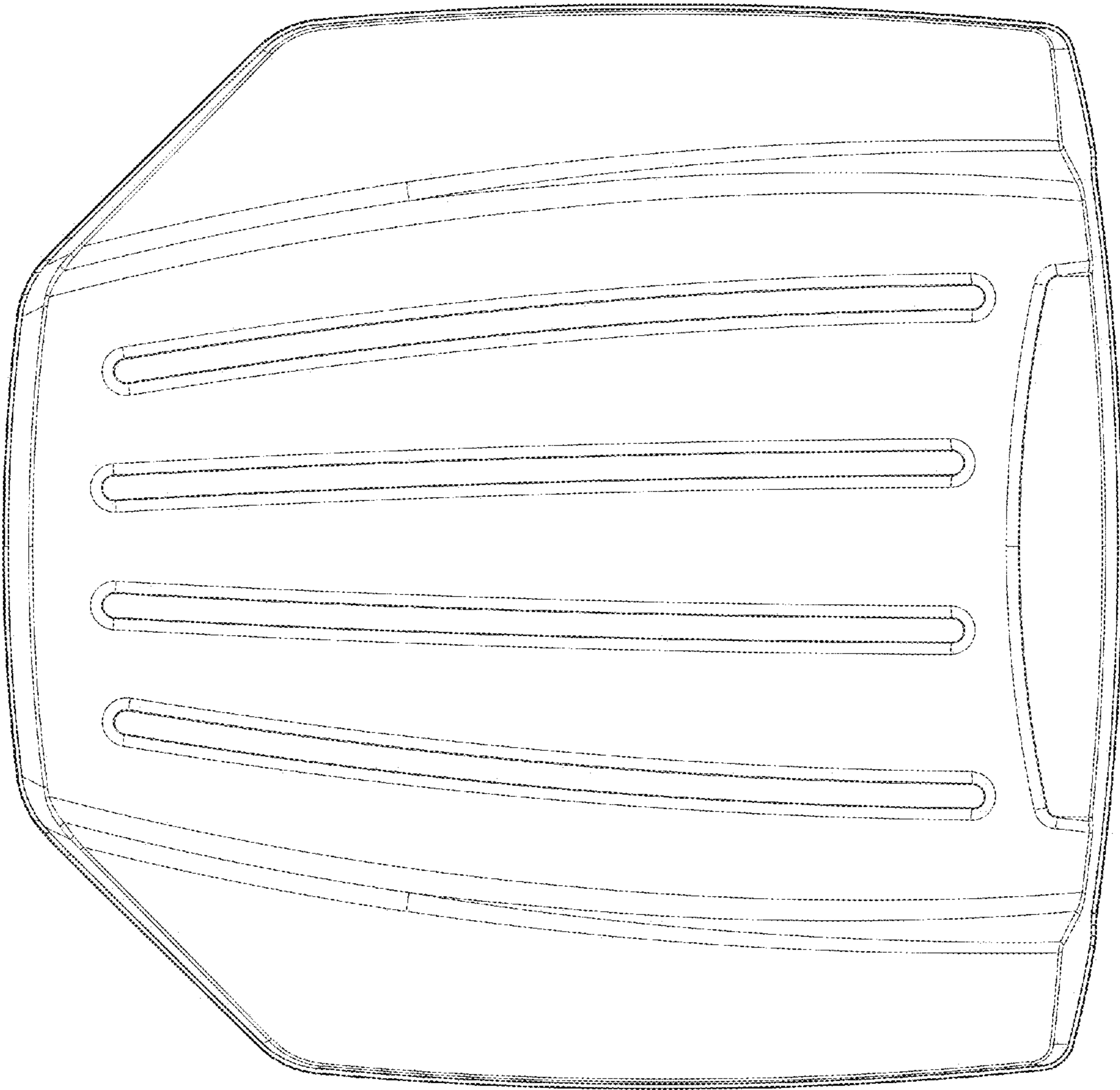


Fig. 8

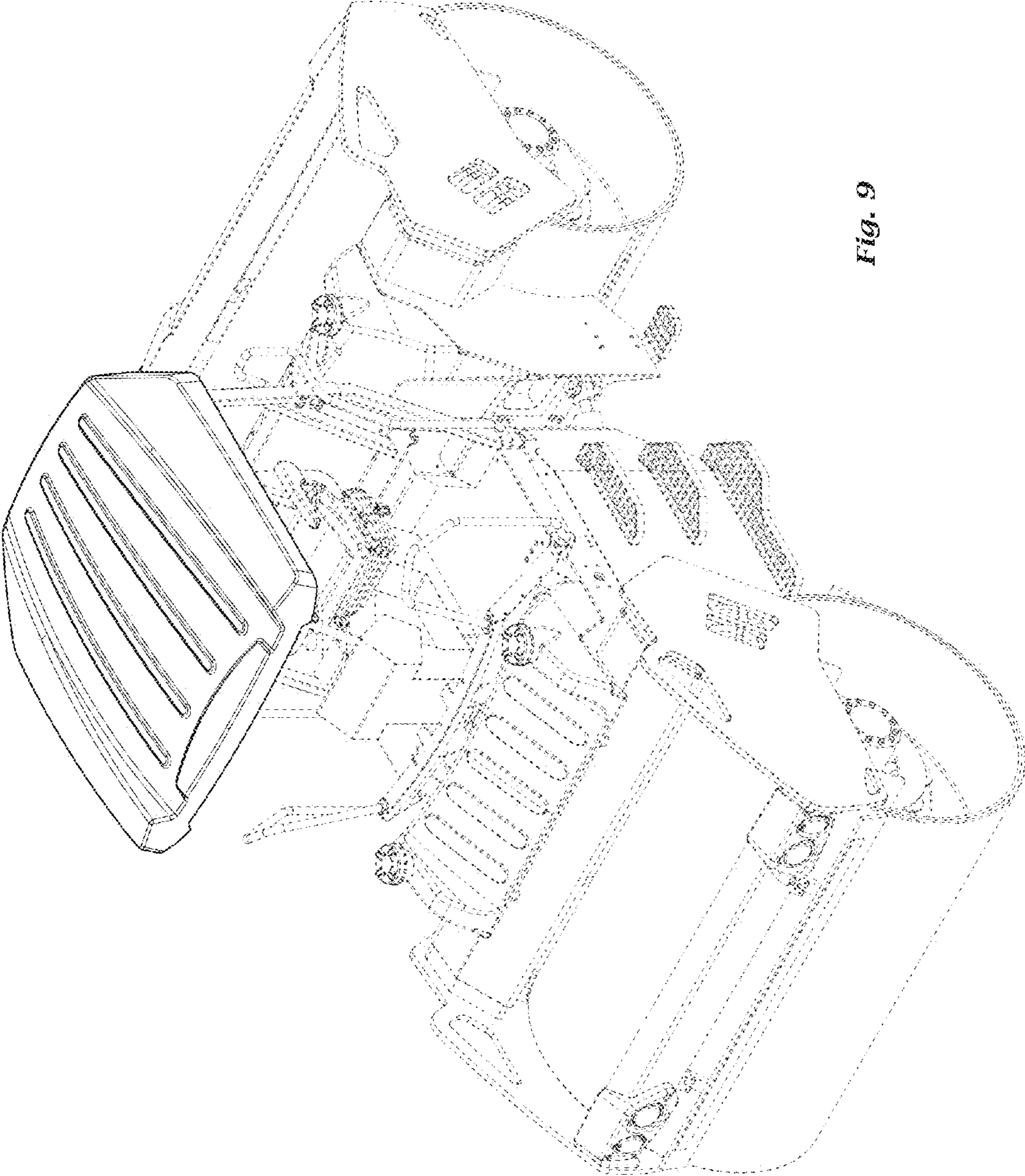


Fig. 9