



US00D690255S

(12) **United States Design Patent**
Schutterra et al.

(10) **Patent No.:** **US D690,255 S**

(45) **Date of Patent:** **** Sep. 24, 2013**

(54) **PERSONAL SERVICE UNIT**

(75) Inventors: **Chris Schutterra**, Mission Viejo, CA
(US); **Bruce Shimizu**, Costa Mesa, CA
(US)

(73) Assignee: **C&D Zodiac, Inc.**, Huntington Beach,
CA (US)

(**) Term: **14 Years**

(21) Appl. No.: **29/413,371**

(22) Filed: **Feb. 14, 2012**

(51) **LOC (9) Cl.** **12-16**

(52) **U.S. Cl.**
USPC **D12/345**

(58) **Field of Classification Search**
USPC D12/319, 345, 400, 190, 192, 195,
D12/415, 418; 244/117 R, 119, 126, 129.1,
244/129.3

See application file for complete search history.

(56) **References Cited**

U.S. PATENT DOCUMENTS

D244,018 S *	4/1977	Greiss et al.	D12/195
D259,038 S *	4/1981	Smith	D12/195
D339,780 S *	9/1993	Burdick	D12/418
D455,390 S *	4/2002	Granzeier et al.	D12/345
D510,313 S *	10/2005	Jones et al.	D12/345
D512,954 S *	12/2005	Guard et al.	D12/345
D558,124 S *	12/2007	Vitito	D12/418
D562,779 S *	2/2008	Lamoree et al.	D13/171
D583,749 S *	12/2008	Aruga et al.	D12/418
D589,421 S *	3/2009	Tupinier	D12/192

D600,623 S *	9/2009	Fiedler et al.	D12/345
D600,624 S *	9/2009	Fiedler et al.	D12/345
D624,481 S *	9/2010	Schuephaus et al.	D12/345
D628,529 S *	12/2010	Fiedler et al.	D12/345
D673,892 S *	1/2013	Stephan et al.	D12/345

* cited by examiner

Primary Examiner — Austin Murphy

(74) *Attorney, Agent, or Firm* — Jeffer Mangels Butler & Mitchell LLP

(57) **CLAIM**

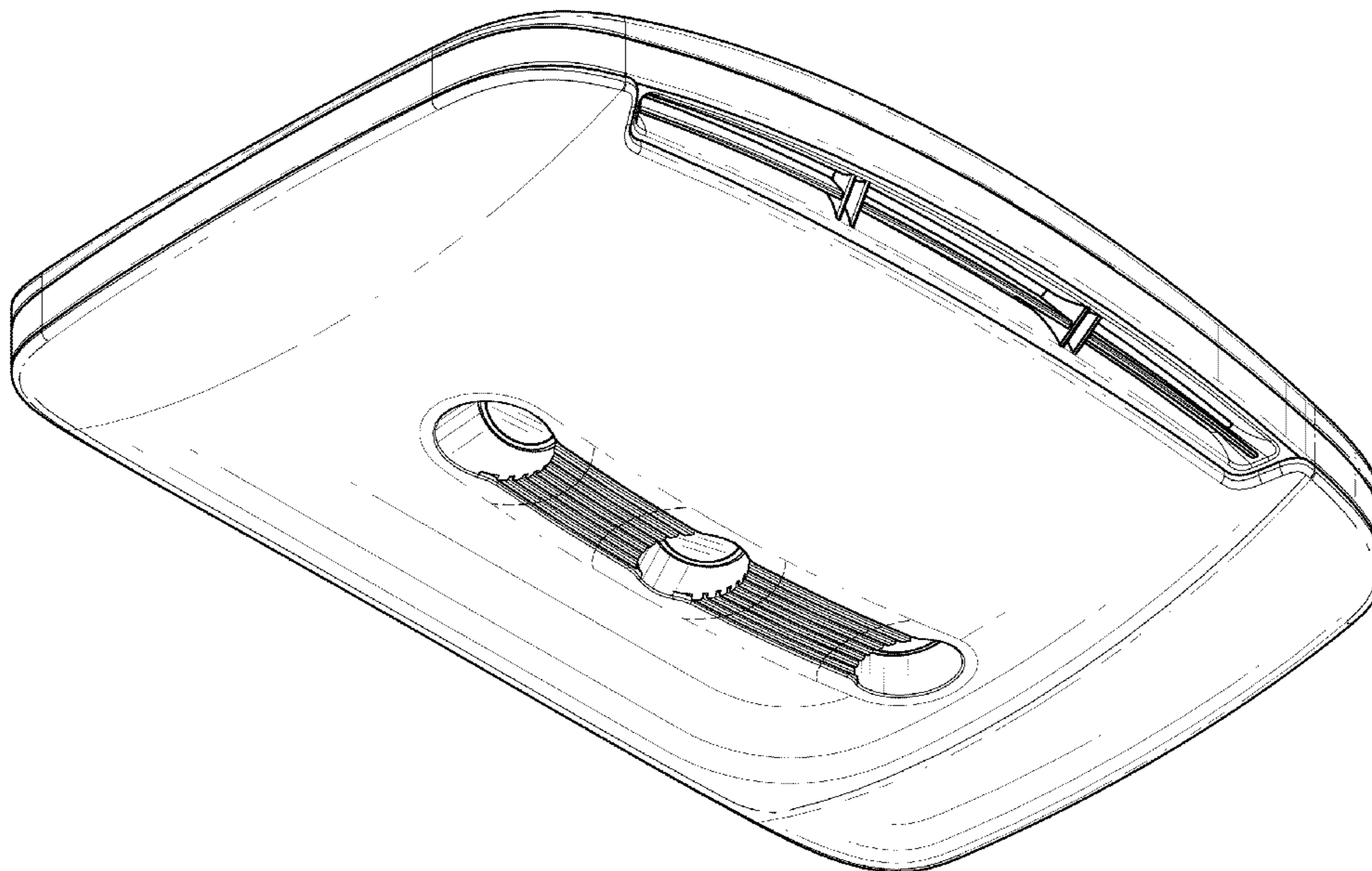
The ornamental design for a personal service unit, as shown and described.

DESCRIPTION

FIG. 1 is a bottom perspective view of the present invention; FIG. 2 is a rear elevational view of the present invention shown in FIG. 1; FIG. 3 is a front elevational view of the present invention shown in FIG. 1; FIG. 4 is a right side elevational view of the present invention shown in FIG. 1; FIG. 5 is a left side elevational view of the present invention shown in FIG. 1; FIG. 6 is a top plan view of the present invention shown in FIG. 1; and, FIG. 7 is a bottom plan view of the present invention shown in FIG. 1.

The shading shown the drawings is for illustrative purposes only and forms no part of the claimed design.

1 Claim, 7 Drawing Sheets



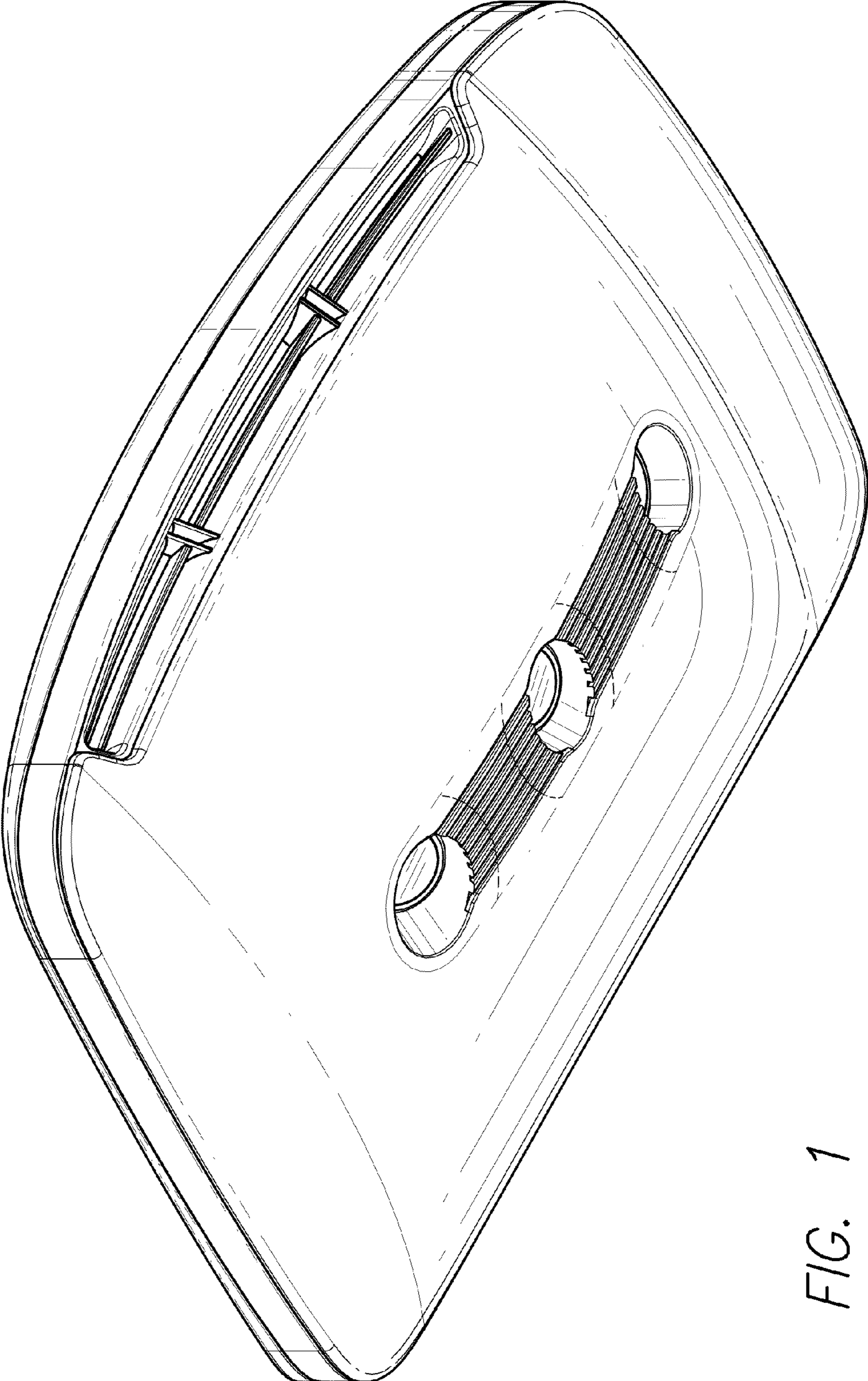


FIG. 1

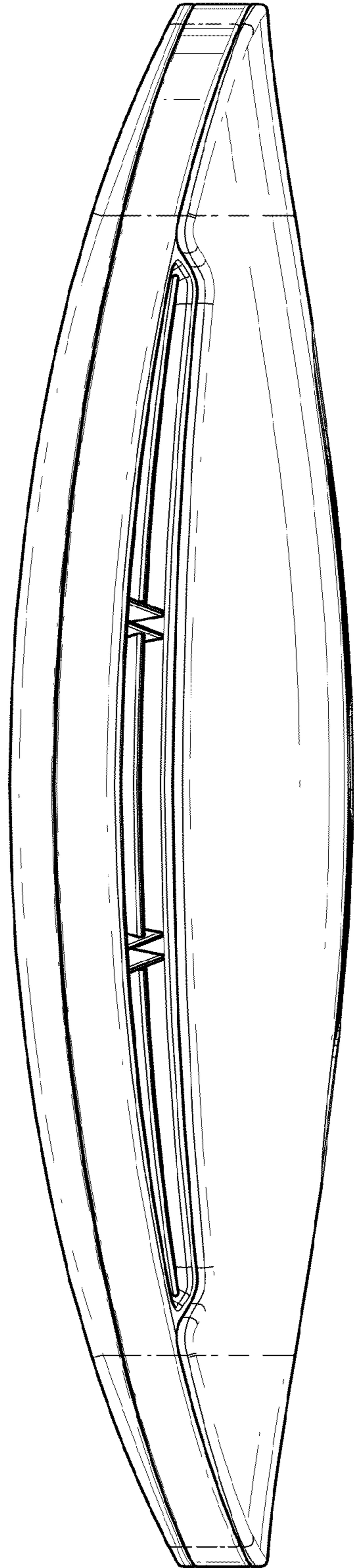


FIG. 2

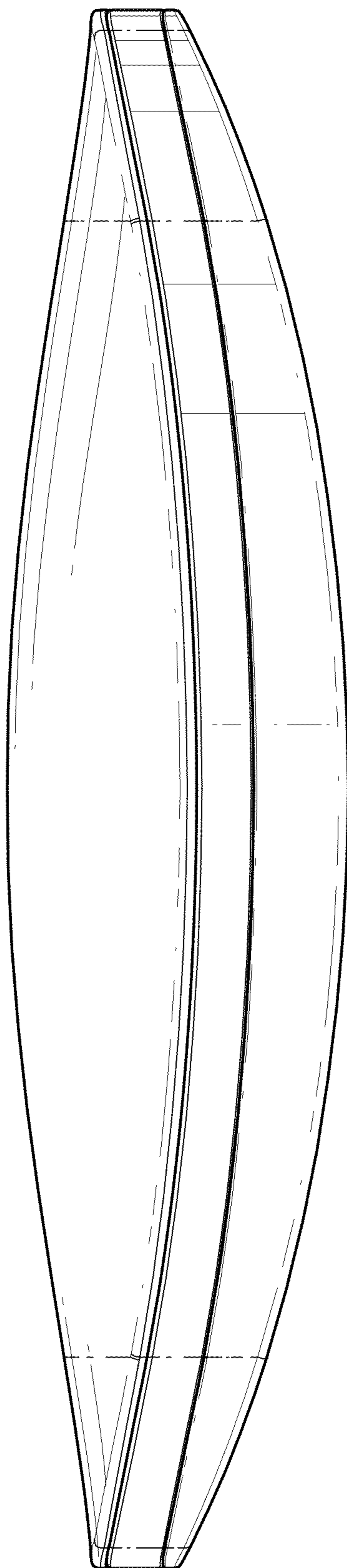


FIG. 3

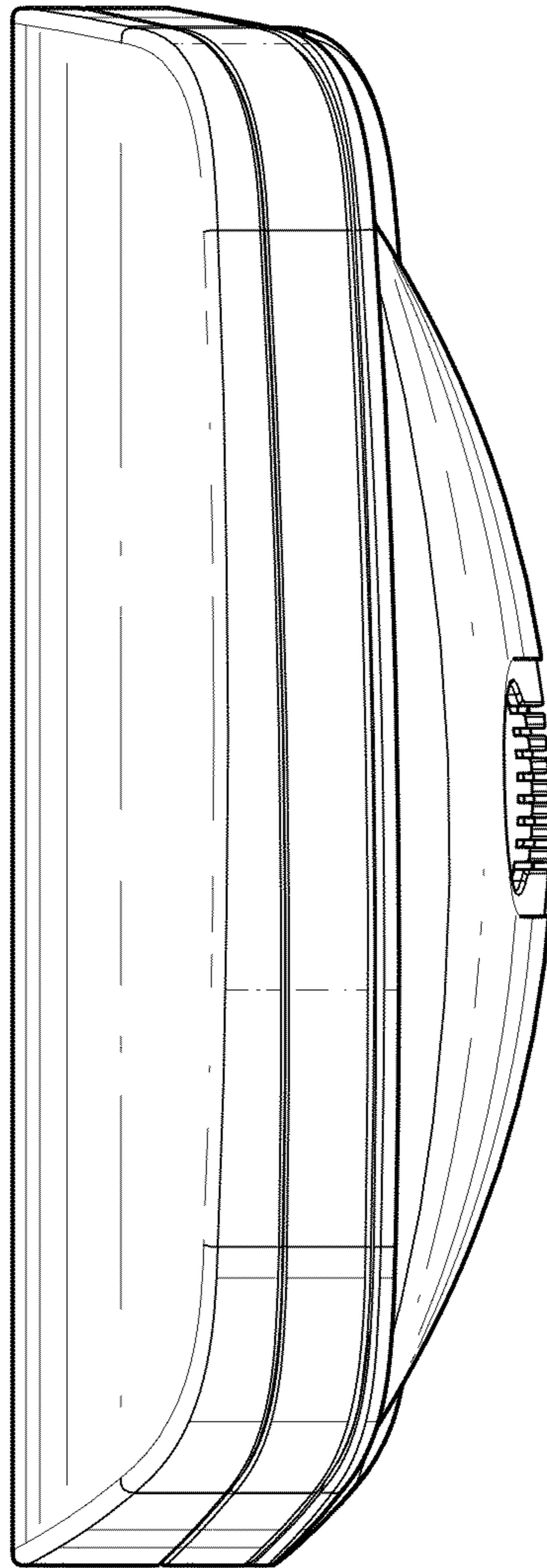


FIG. 4

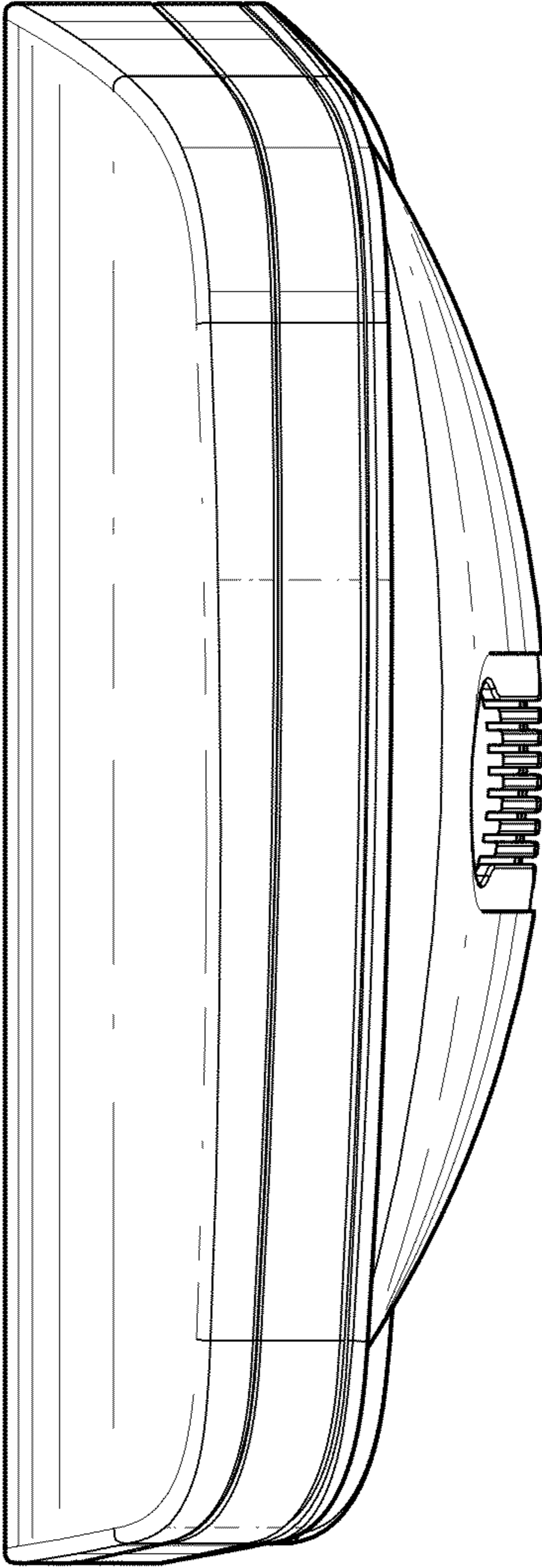


FIG. 5

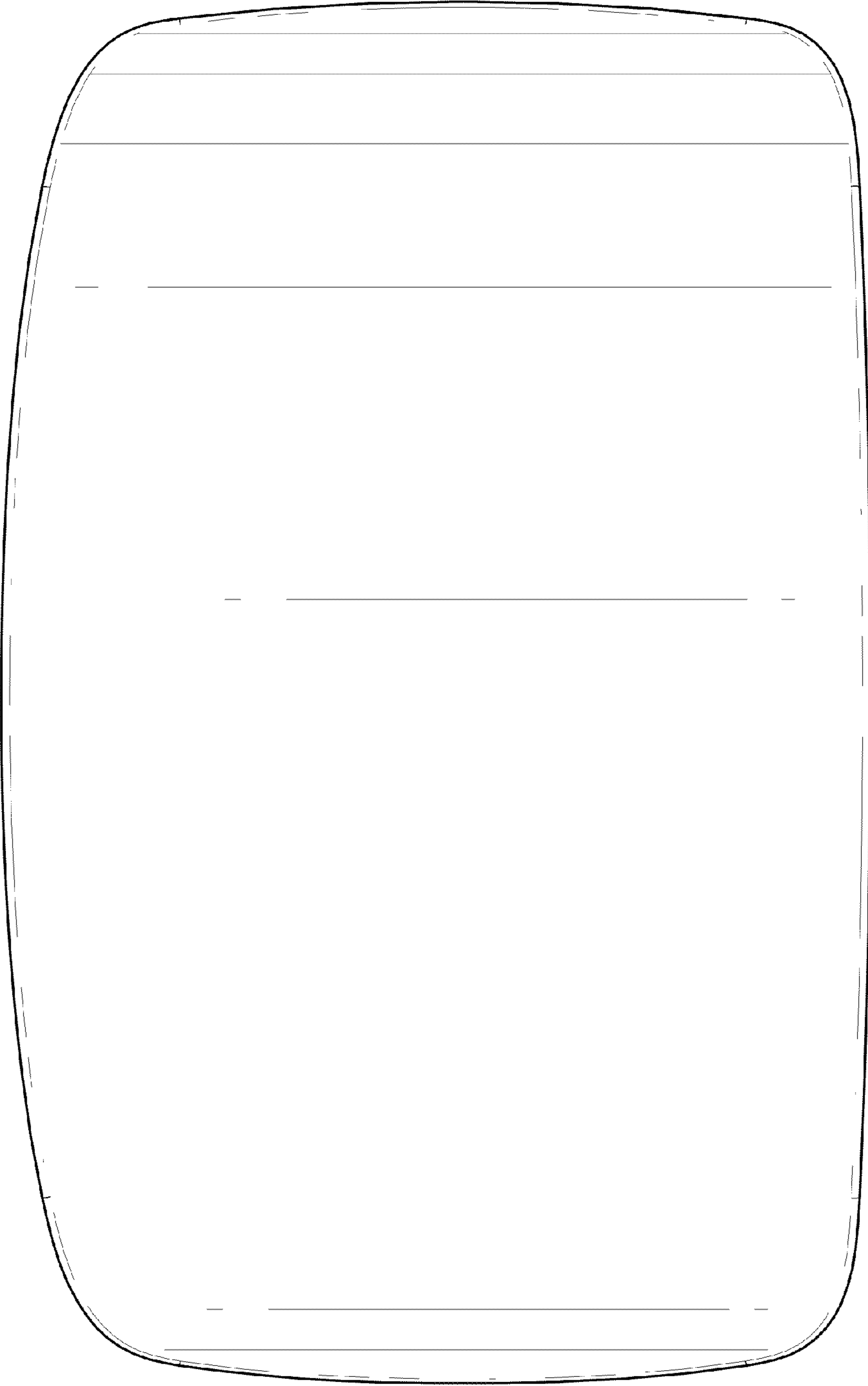


FIG. 6

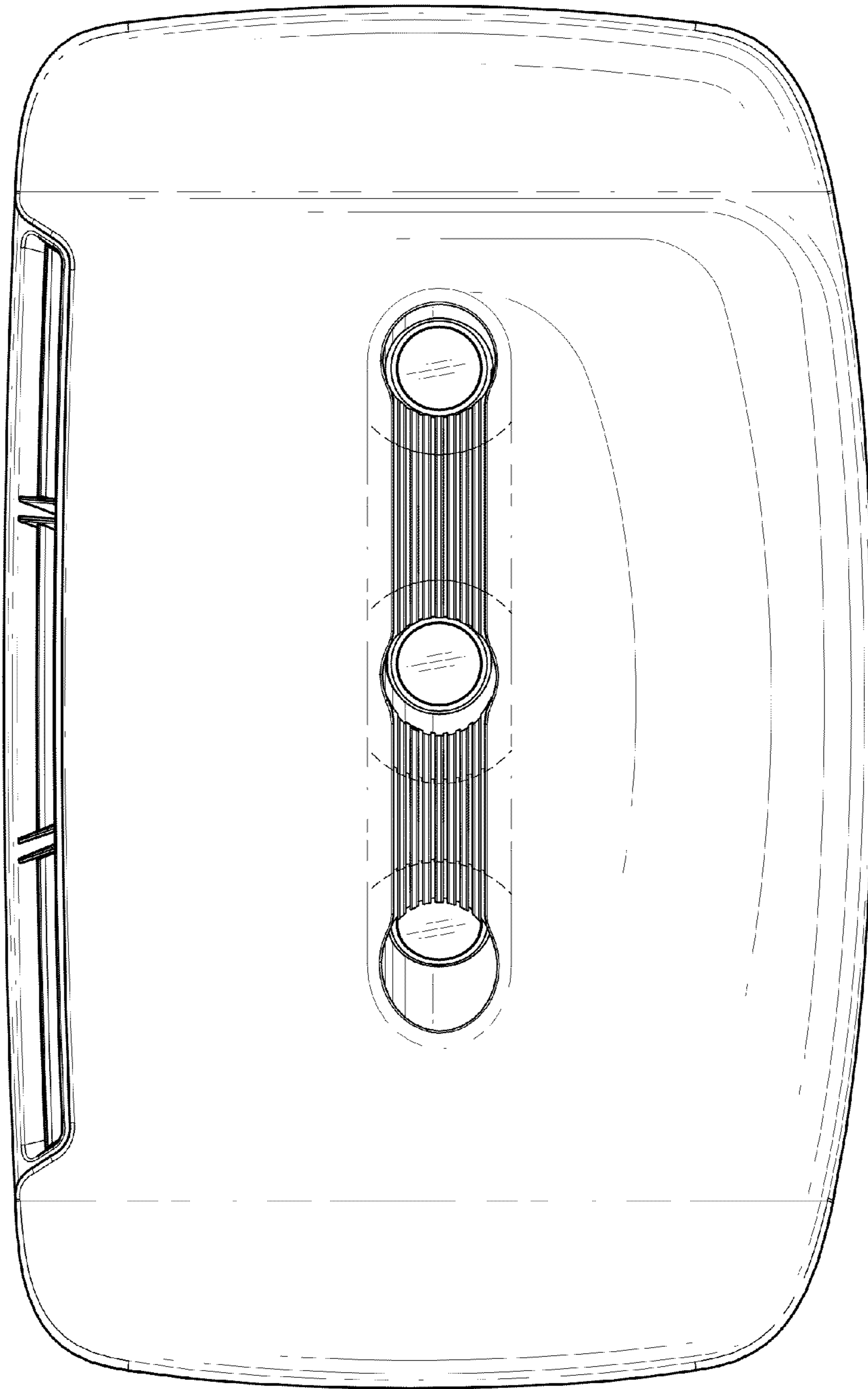


FIG. 7