



US00D690254S

(12) **United States Design Patent**
Manzhelii

(10) **Patent No.:** **US D690,254 S**

(45) **Date of Patent:** **** Sep. 24, 2013**

(54) **ACROBATIC AIRCRAFT**

(75) Inventor: **Andrey M. Manzhelii**, Moscow (RU)

(73) Assignee: **OOO "KB Sovremennye Aviatsionnye Tehnologii"**, Moscow (RU)

(**) Term: **14 Years**

(21) Appl. No.: **29/352,708**

(22) Filed: **Dec. 23, 2009**

(51) **LOC (9) Cl.** **12-07**

(52) **U.S. Cl.**
USPC **D12/319**

(58) **Field of Classification Search**
USPC D12/319, 330-333, 335, 341-343,
D12/345; D21/447, 448; 244/35 A, 45 A,
244/45 R, 52, 53 B, 55, 91, 119, 198, 211,
244/215

See application file for complete search history.

(56) **References Cited**

U.S. PATENT DOCUMENTS

D372,218 S *	7/1996	Herzberg et al.	D12/333
D467,217 S *	12/2002	Andreyko	D12/319
D583,295 S *	12/2008	Au	D12/343
D616,352 S *	5/2010	Schafroth	D12/319
D616,805 S *	6/2010	Zha	D12/343

* cited by examiner

Primary Examiner — Robin V Webster

(74) *Attorney, Agent, or Firm* — Patentbar International, P.C.

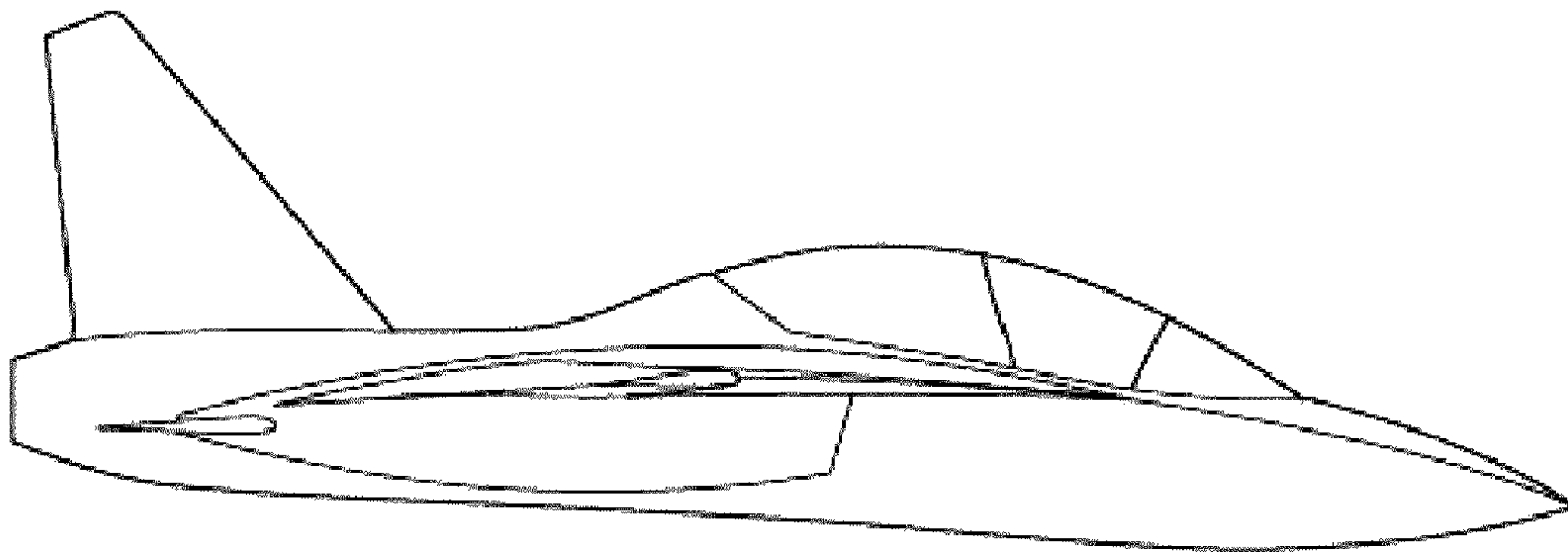
(57) **CLAIM**

The ornamental design for an acrobatic aircraft, as shown and described.

DESCRIPTION

FIG. 1 is a side view thereof;
FIG. 2 is a side view of thereof;
FIG. 3 is a top view of thereof;
FIG. 4 is a front view thereof;
FIG. 5 is a rear view thereof; and,
FIG. 6 is a bottom view thereof.

1 Claim, 6 Drawing Sheets



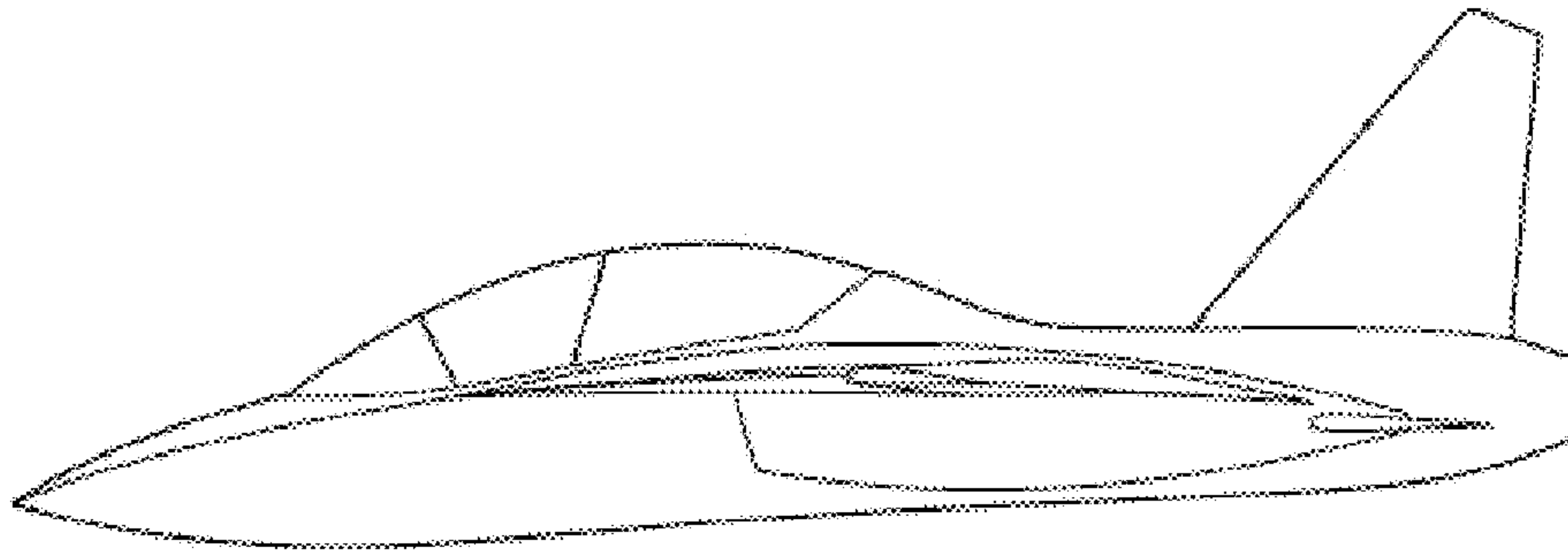


Fig. 1

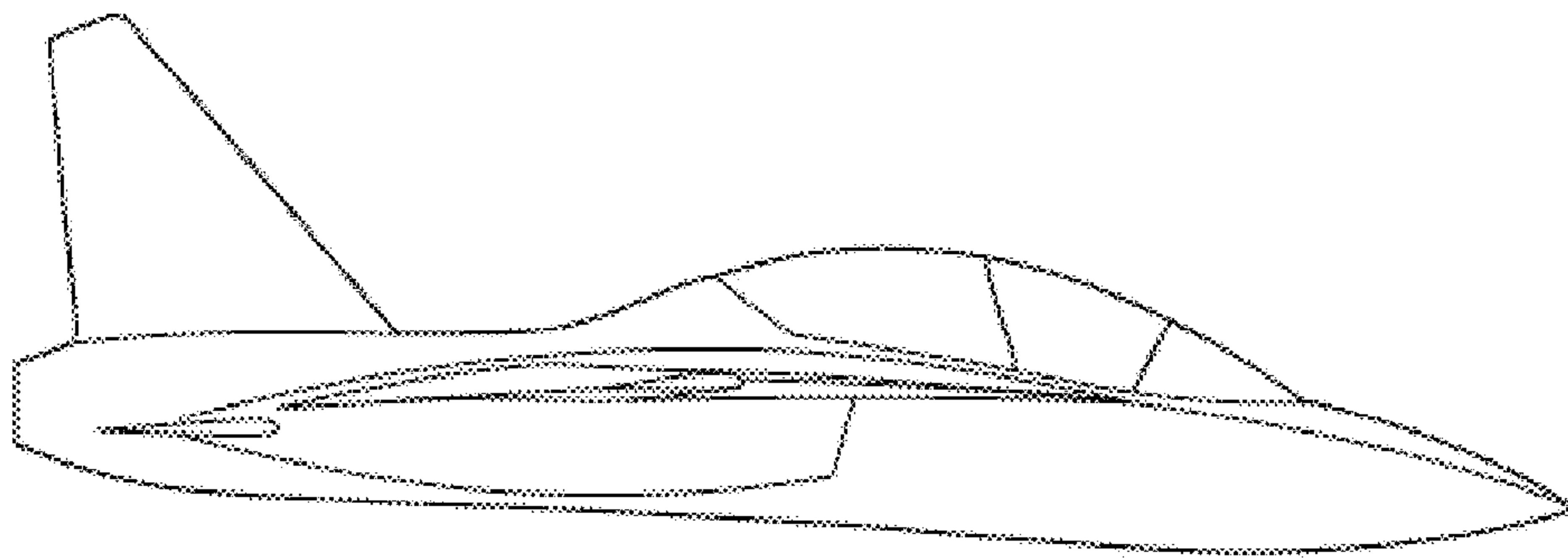


Fig. 2

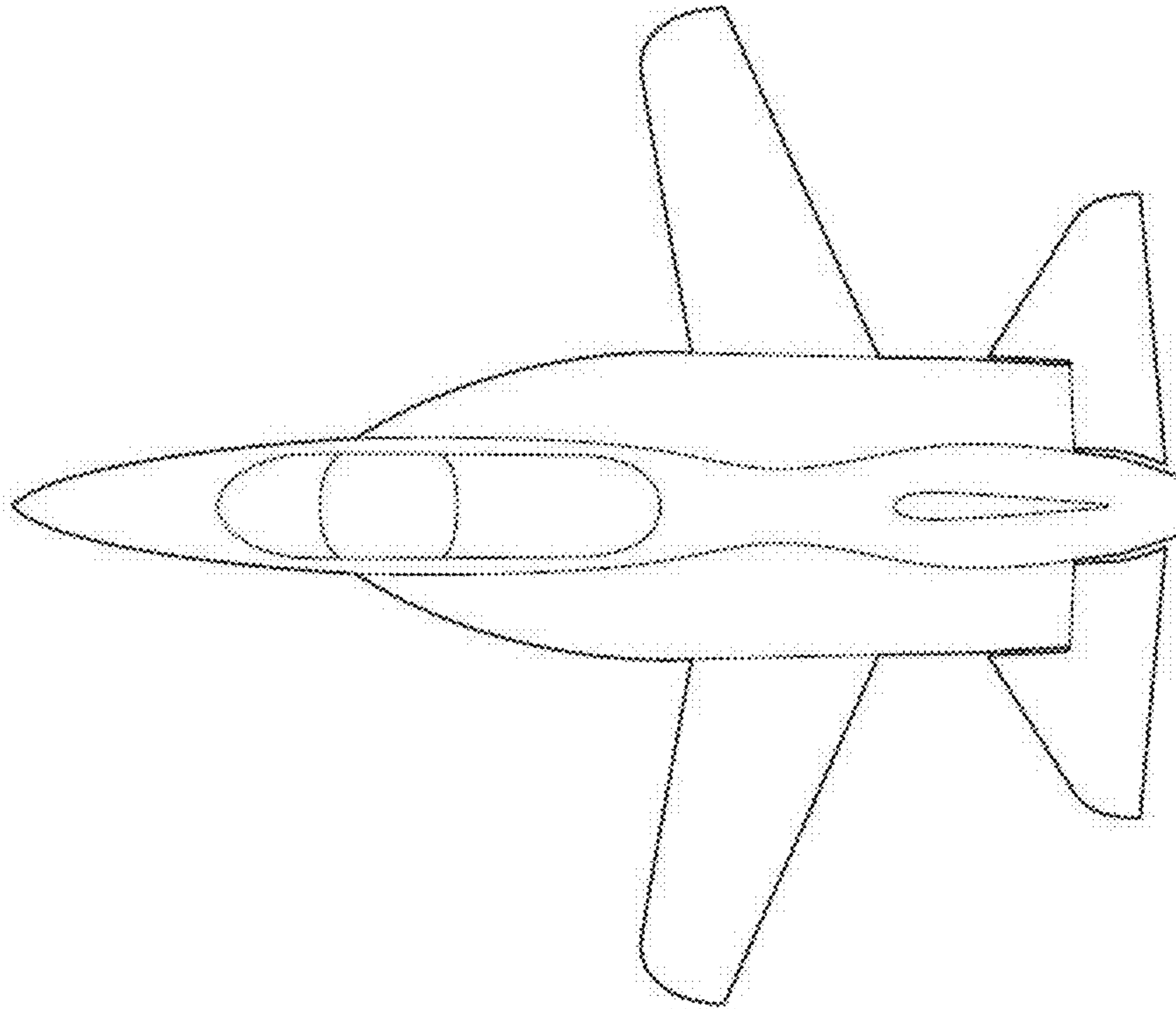


Fig. 3

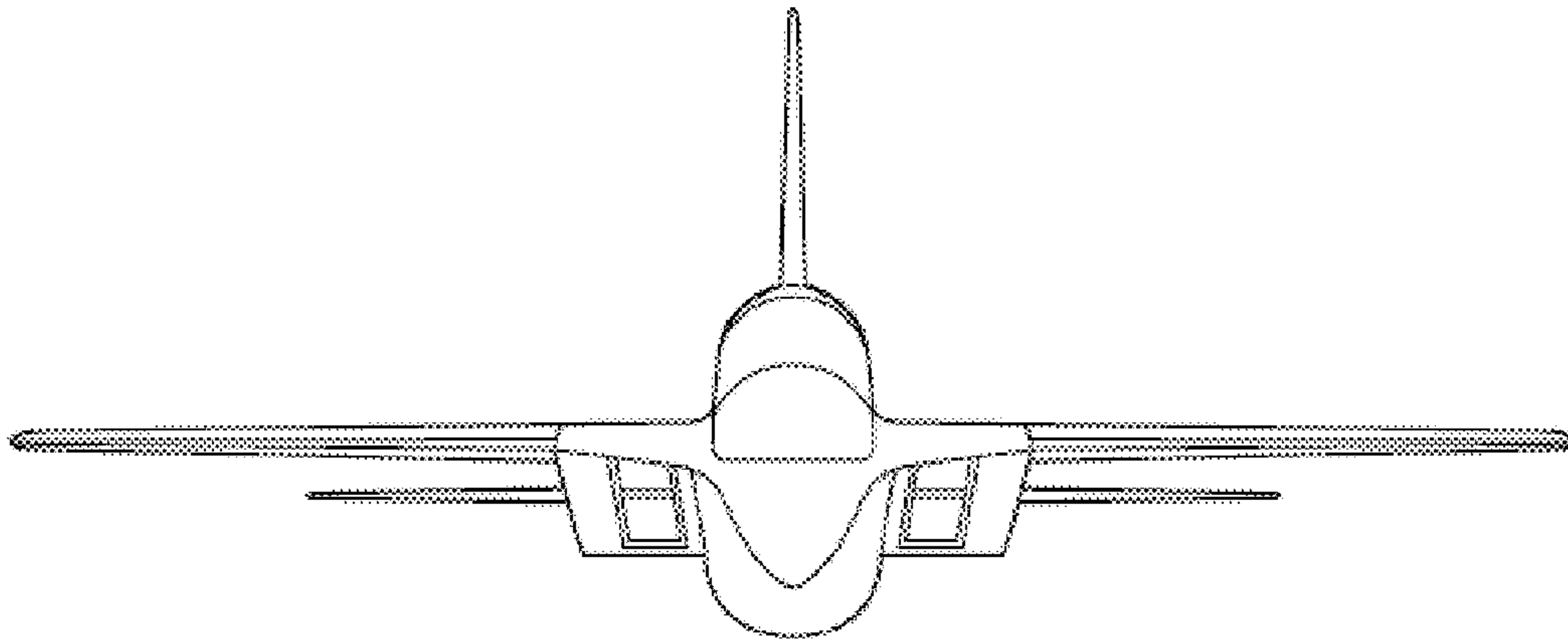


Fig. 4

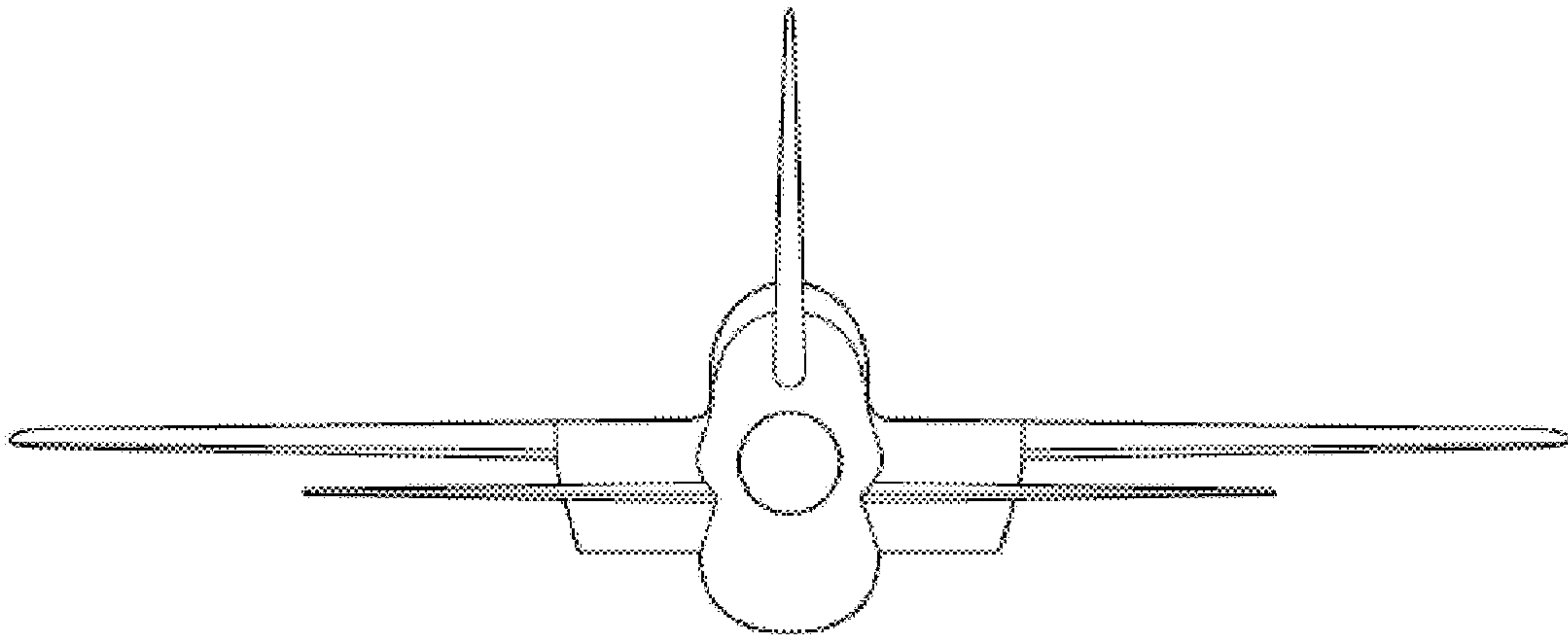


Fig. 5

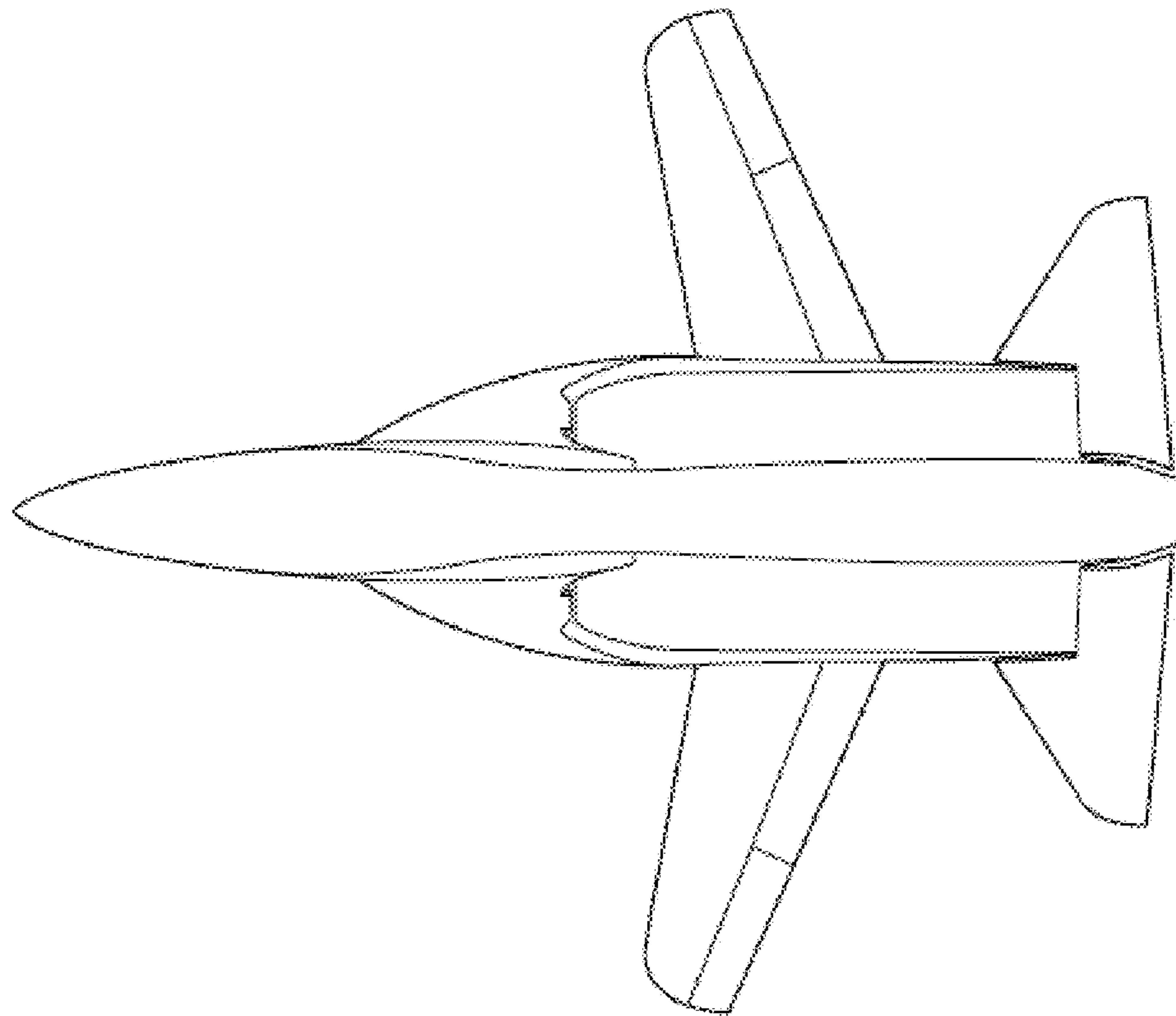


Fig. 6