



US00D690252S

(12) **United States Design Patent**
Bernoni

(10) **Patent No.:** **US D690,252 S**

(45) **Date of Patent:** **** Sep. 24, 2013**

(54) **WHEEL WITH HUB COVER**

(71) Applicant: **O.Z. S.p.A.**, Bassano del Grappa (DE)

(72) Inventor: **Claudio Bernoni**, Selvazzano Dentro (IT)

(73) Assignee: **O.Z. S.p.A.**, Bassano del Grappa, Vicenza (IT)

(**) Term: **14 Years**

(21) Appl. No.: **29/445,093**

(22) Filed: **Feb. 7, 2013**

(51) **LOC (9) Cl.** **12-16**

(52) **U.S. Cl.**
USPC **D12/211**

(58) **Field of Classification Search**
USPC D12/204–213; 301/37.101, 64.101,
301/65, 64.201

See application file for complete search history.

(56) **References Cited**

U.S. PATENT DOCUMENTS

D429,206 S *	8/2000	Ito	D12/211
D450,649 S *	11/2001	Penzes	D12/211
D473,836 S *	4/2003	Laengerer	D12/211
D596,548 S *	7/2009	Gallert	D12/211

D610,516 S *	2/2010	Dilber et al.	D12/211
D622,652 S *	8/2010	Geisler	D12/211
D632,239 S *	2/2011	Gallert	D12/211
D658,105 S *	4/2012	Hans et al.	D12/211
D659,066 S *	5/2012	Johnson	D12/209
D660,765 S *	5/2012	Gotschke et al.	D12/209
D666,959 S *	9/2012	Lucaora	D12/211

* cited by examiner

Primary Examiner — Stacia Cadmus

(74) *Attorney, Agent, or Firm* — Young & Thompson

(57) **CLAIM**

The ornamental design for a wheel with hub cover, as shown and described.

DESCRIPTION

FIG. 1 discloses a perspective view of a wheel with hub cover showing the new design;

FIG. 2 discloses a front view thereof; and,

FIG. 3 is an enlarged view of the central hub of a wheel with hub cover showing the new design that discloses in more detail the cover hub.

The broken line showing of the rear portions of the wheel in FIGS. 1 and 2 is included for the purpose of illustrating environment and forms no part of the claimed design. The broken lines which define the bounds of the claimed design in FIG. 3 form no part thereof.

1 Claim, 3 Drawing Sheets

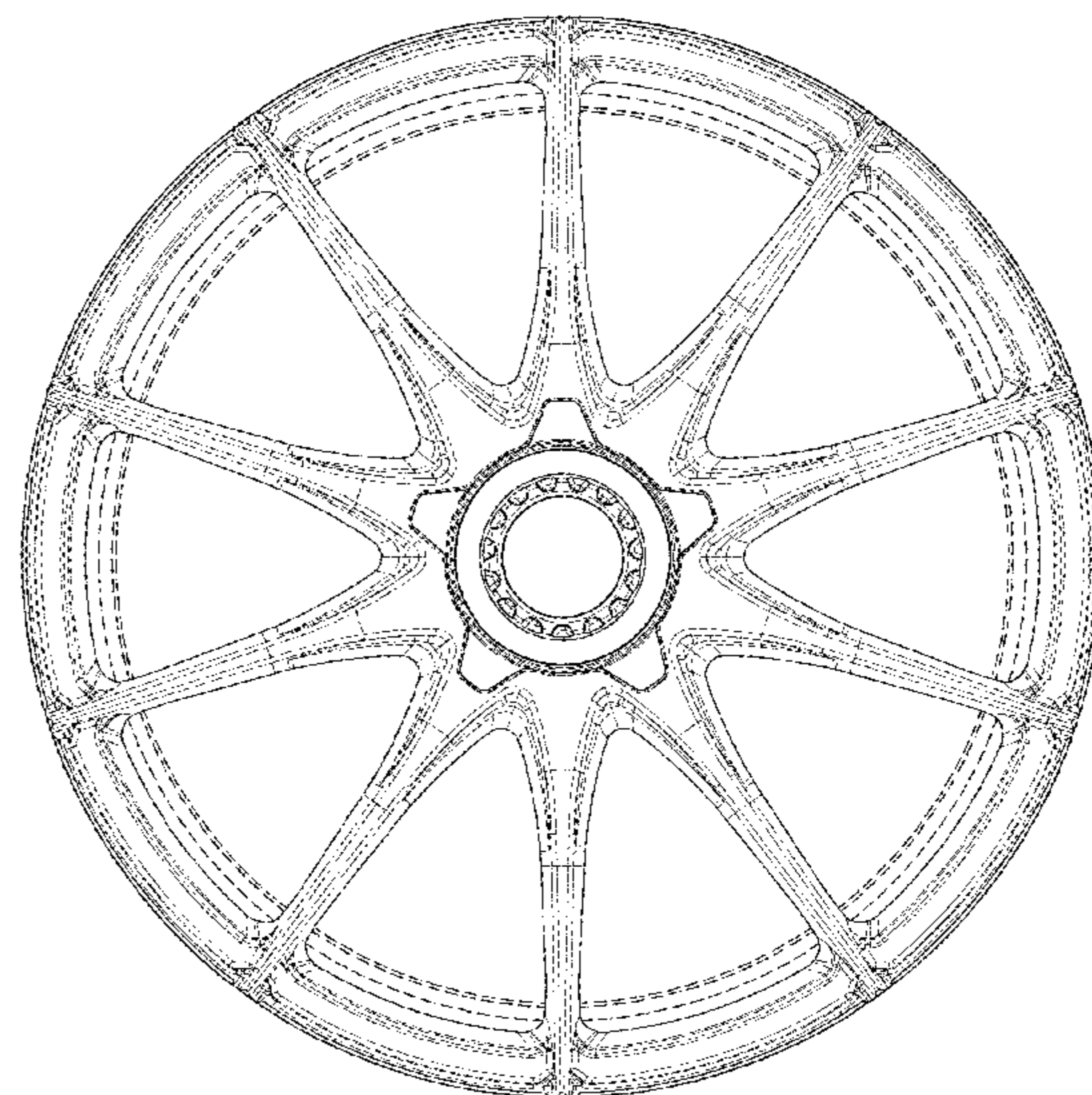
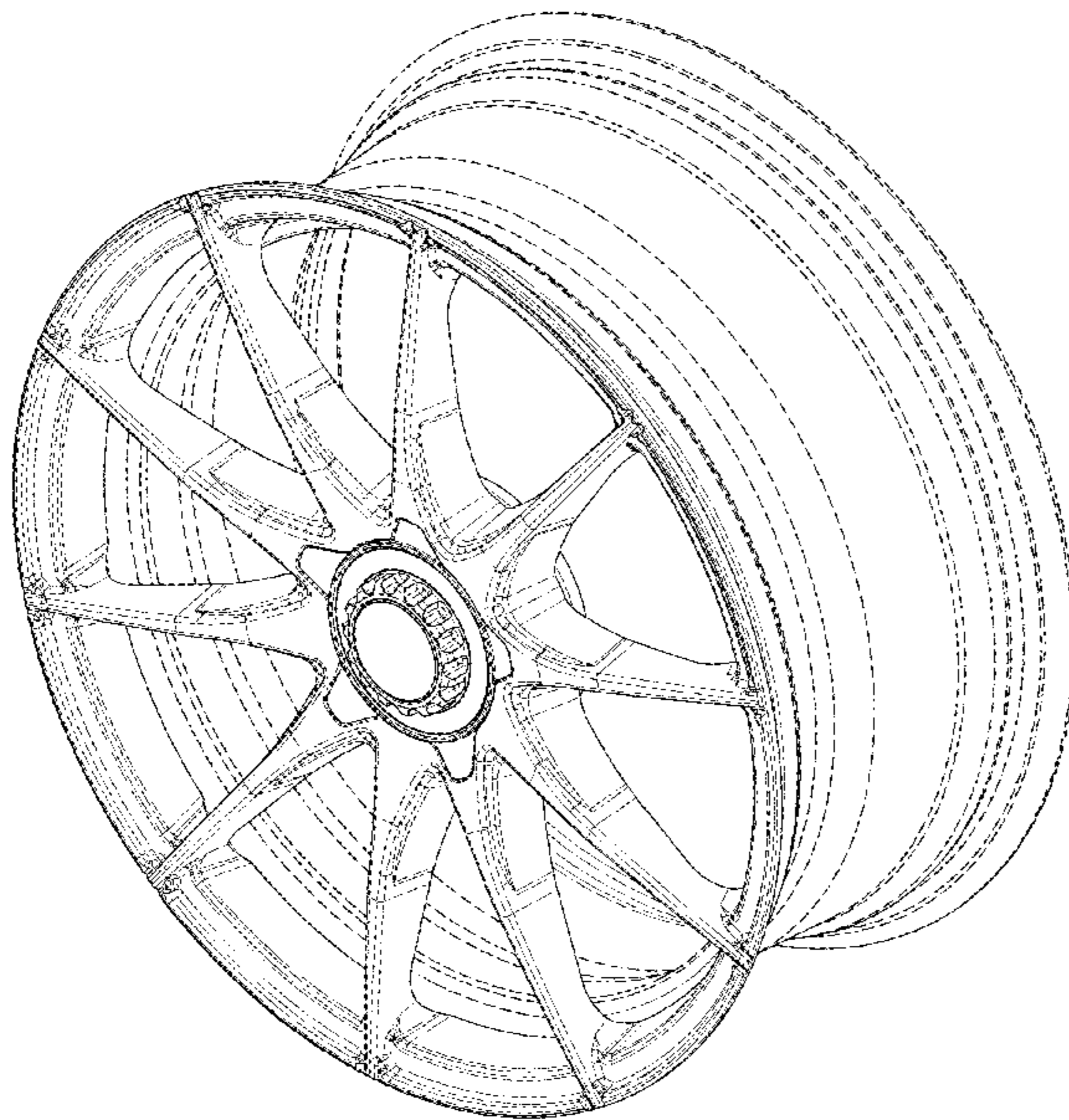


FIG.1

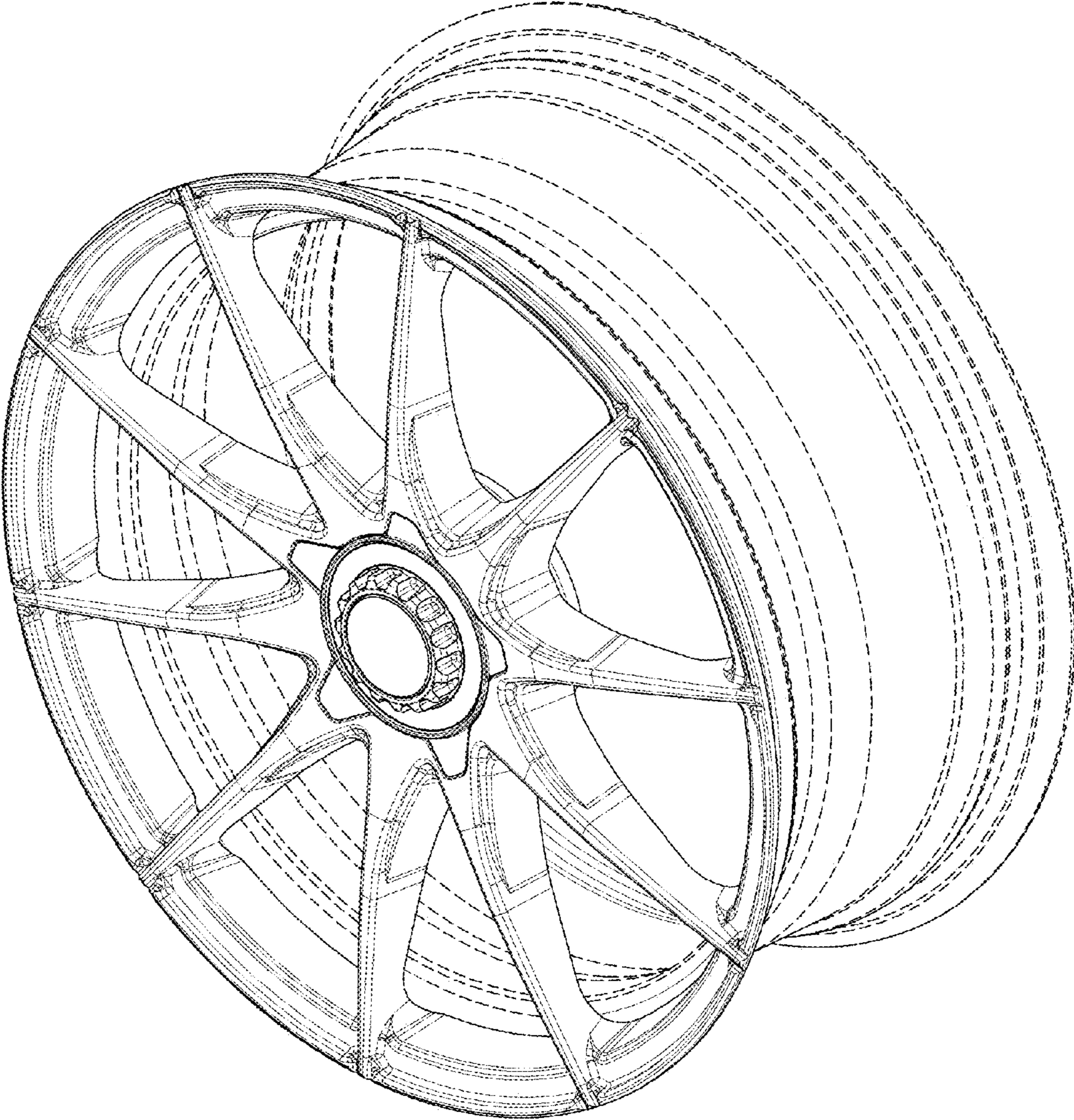


FIG.2

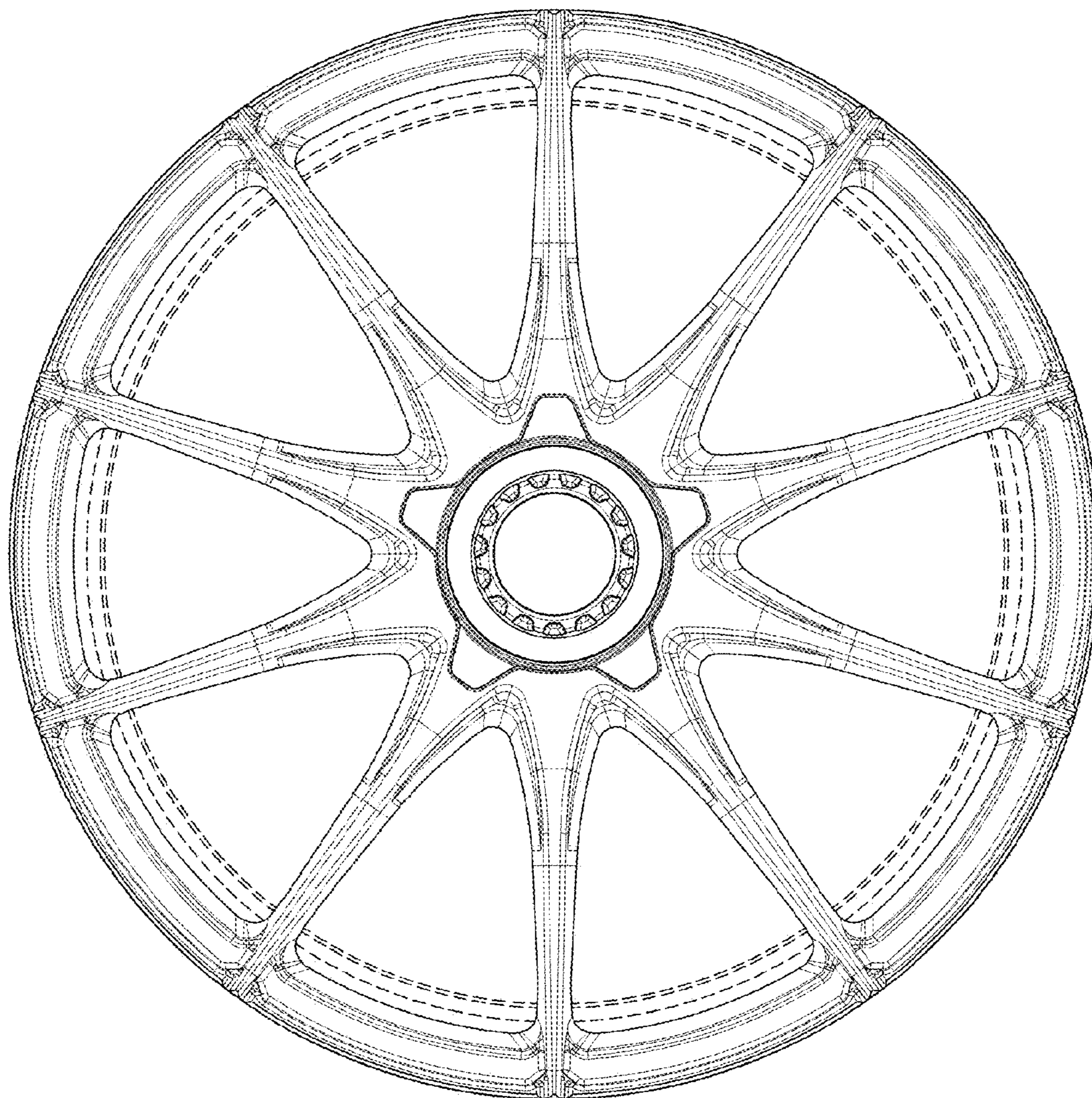


FIG.3

