



US00D690251S

(12) **United States Design Patent**
Webb

(10) **Patent No.:** **US D690,251 S**

(45) **Date of Patent:** **** Sep. 24, 2013**

(54) **WHEEL**

(71) Applicant: **Nicholas J. Webb**, Redding, CA (US)

(72) Inventor: **Nicholas J. Webb**, Redding, CA (US)

(**) Term: **14 Years**

(21) Appl. No.: **29/436,000**

(22) Filed: **Oct. 31, 2012**

(51) **LOC (9) Cl.** **12-16**

(52) **U.S. Cl.**
USPC **D12/211**

(58) **Field of Classification Search**
USPC D12/204-213; 301/37.101, 64.101,
301/65, 64.201

See application file for complete search history.

(56) **References Cited**

U.S. PATENT DOCUMENTS

D462,042 S * 8/2002 Bernardi D12/205
D548,160 S * 8/2007 Viandante D12/209
D596,547 S * 7/2009 Passarotto et al. D12/205

D599,268 S * 9/2009 Bernoni D12/211
D660,770 S * 5/2012 Mueller-Stolz et al. D12/211
D666,961 S * 9/2012 Chung D12/211

* cited by examiner

Primary Examiner — Stacia Cadmus

(74) *Attorney, Agent, or Firm* — Harness, Dickey & Pierce, PLC

(57) **CLAIM**

The ornamental design for a wheel, as shown and described.

DESCRIPTION

FIG. 1 is a perspective view of a wheel showing my new design;

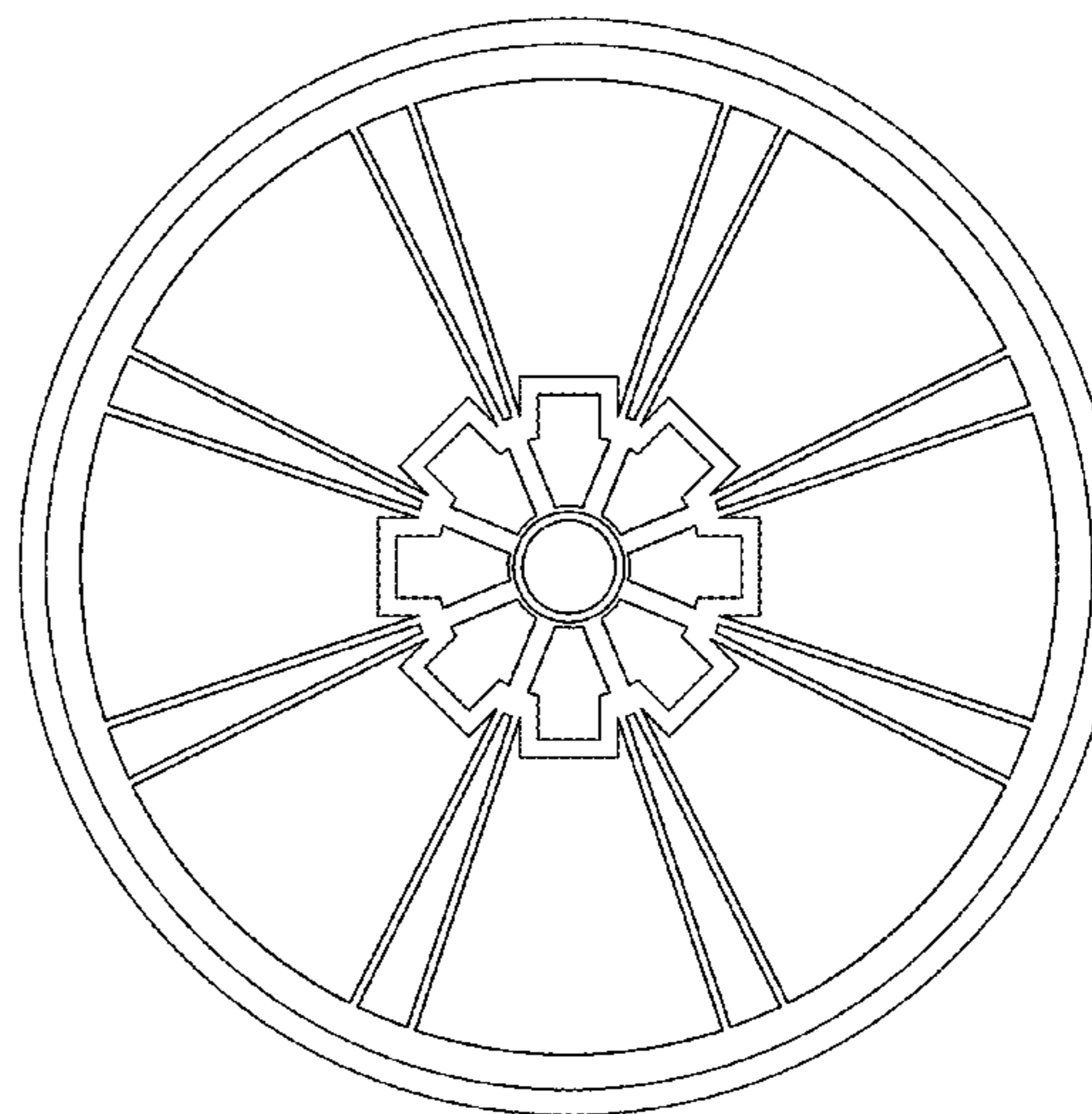
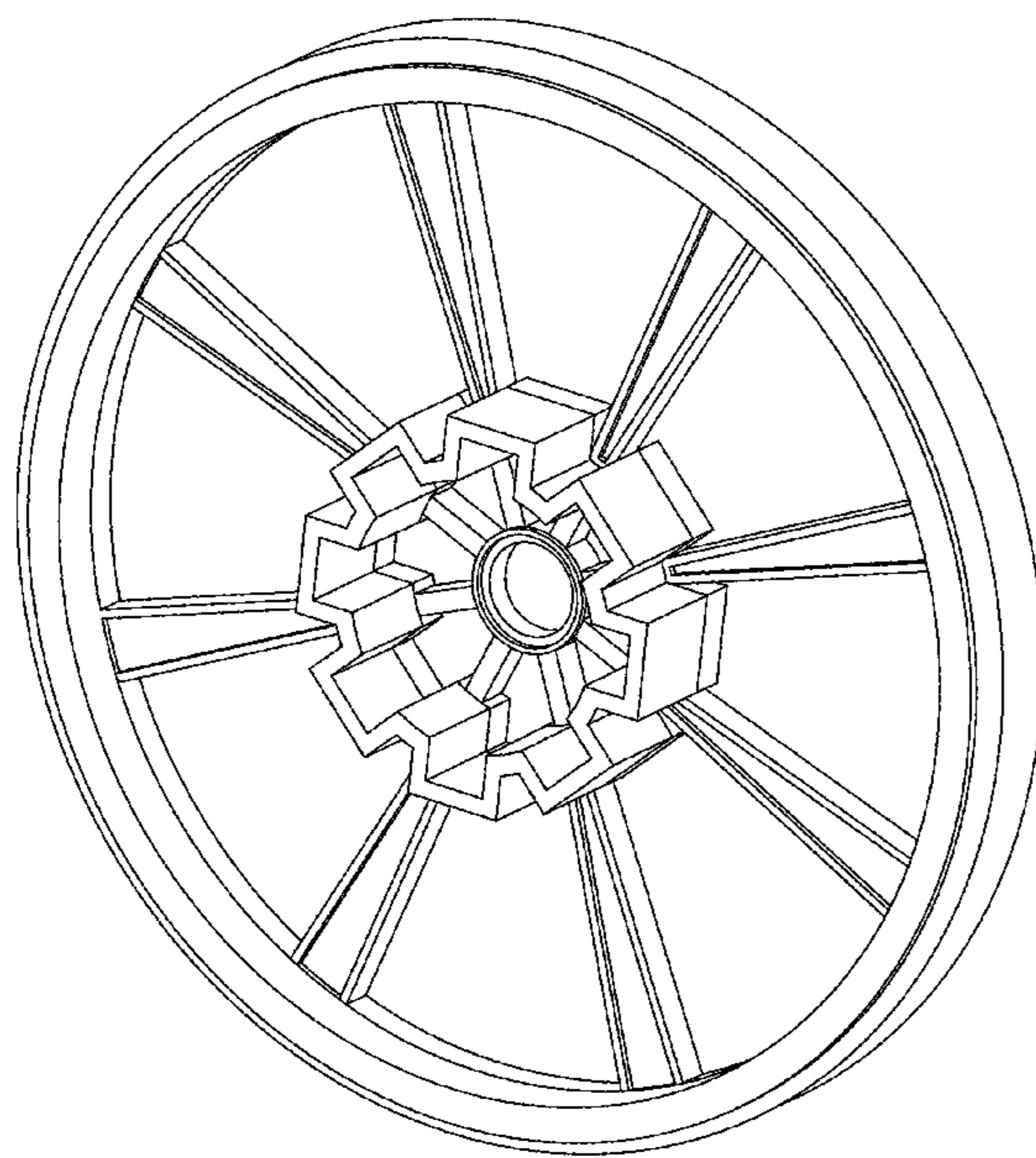
FIG. 2 is a front view of the wheel shown in FIG. 1;

FIG. 3 is a right side view of the wheel shown in FIG. 1;

FIG. 4 is a left side view of the wheel shown in FIG. 1; and,

FIG. 5 is a back view of the wheel shown in FIG. 1.

1 Claim, 3 Drawing Sheets



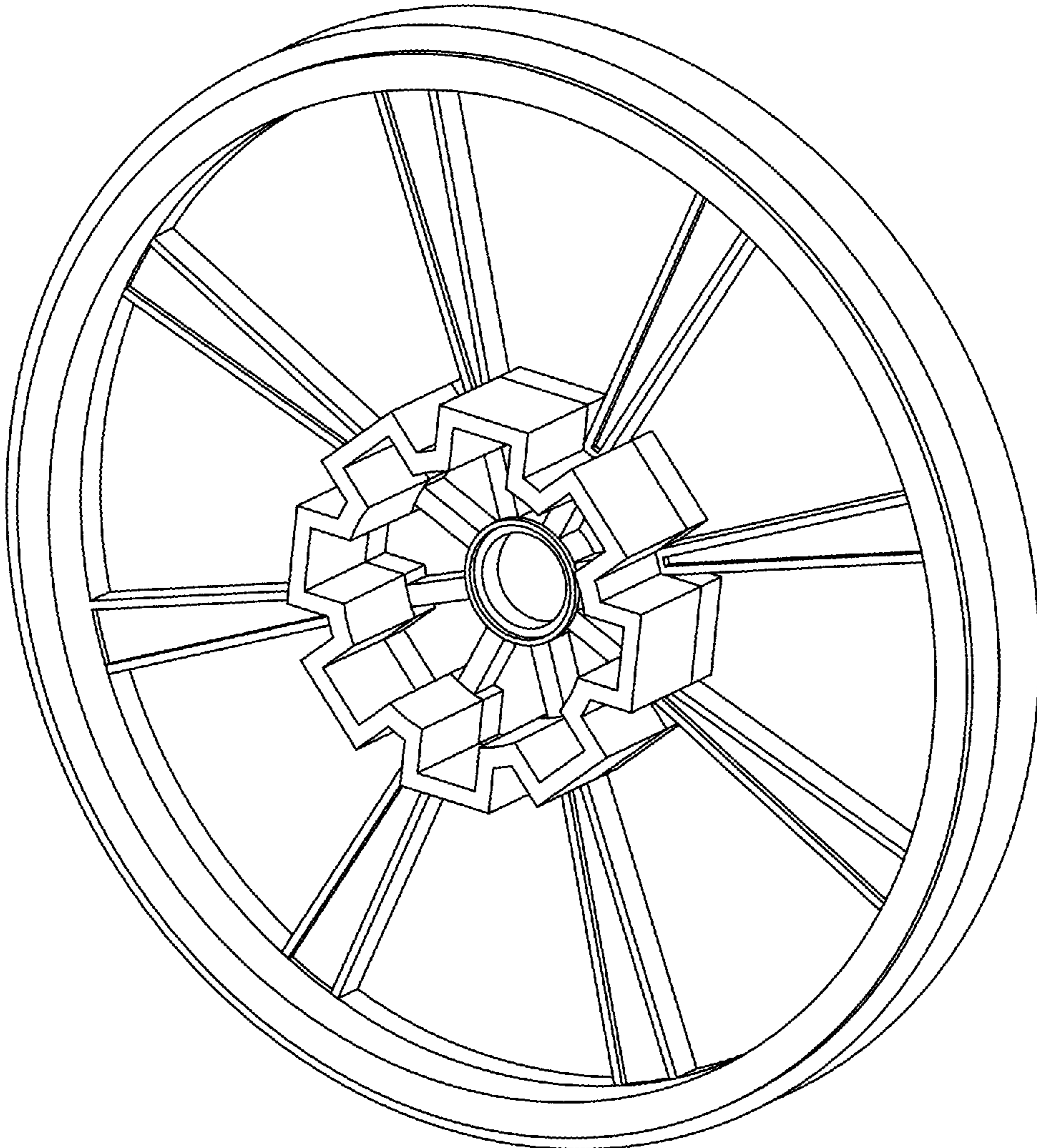


FIG - 1

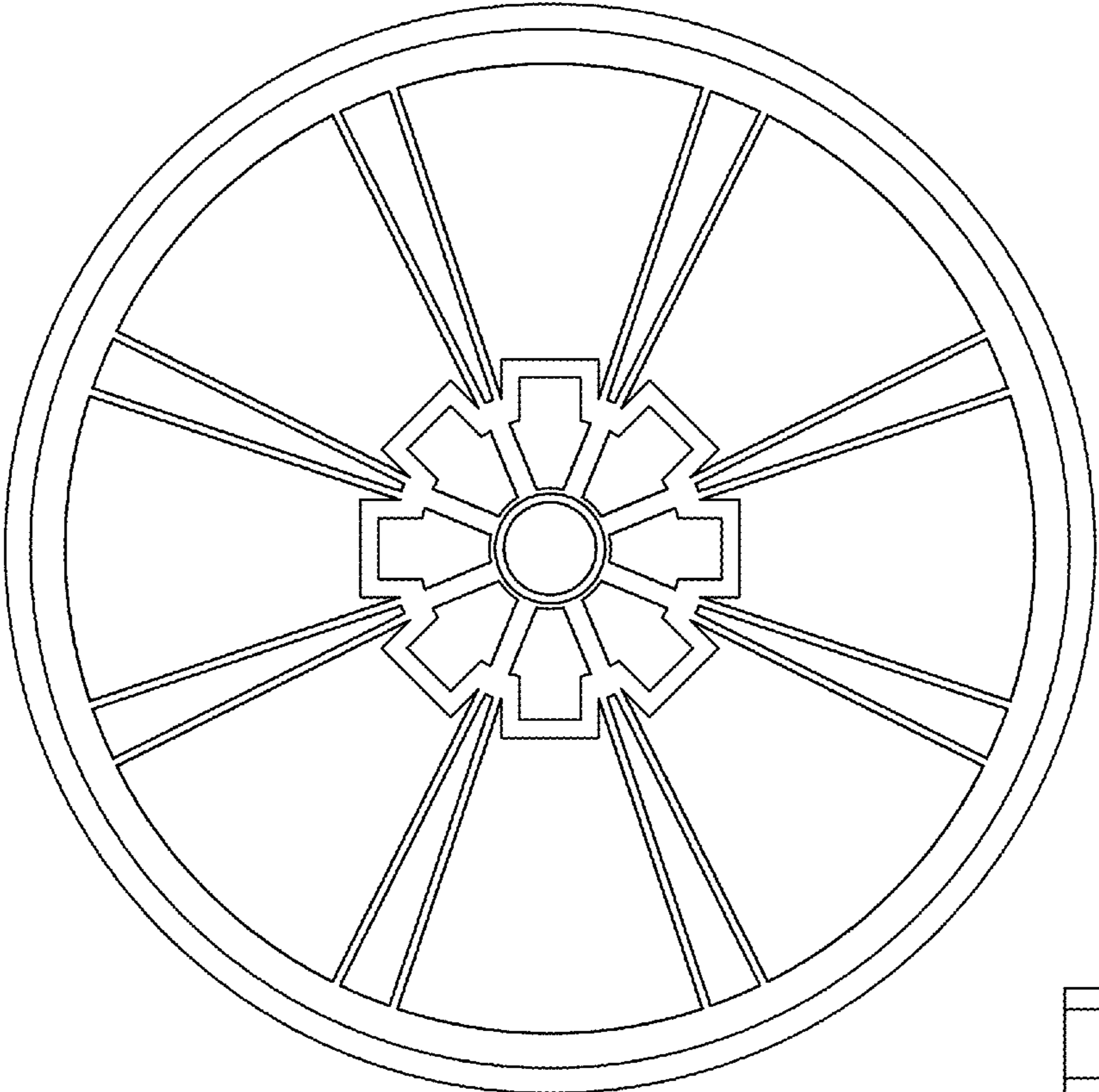


FIG - 2

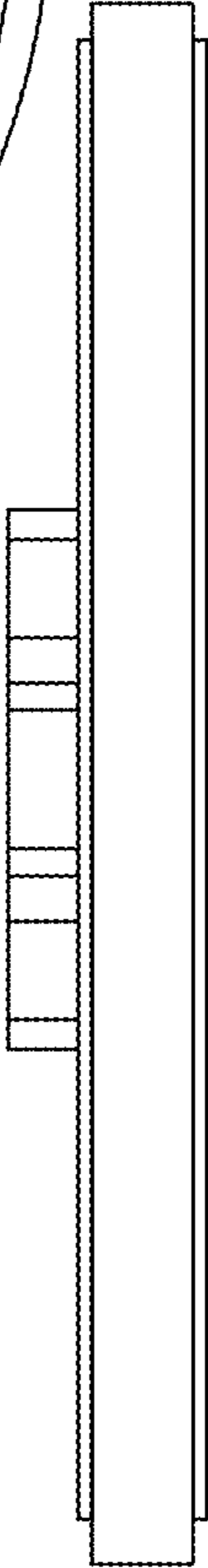


FIG - 3

