



US00D690248S

(12) **United States Design Patent**  
**Bildhaeuser**

(10) **Patent No.:** **US D690,248 S**

(45) **Date of Patent:** **\*\* Sep. 24, 2013**

(54) **WHEEL OR WHEEL COVER**

(75) **Inventor:** **Hans-Peter Bildhaeuser**, Aidlingen (DE)

(73) **Assignee:** **Daimler AG**, Stuttgart (DE)

(\*\*) **Term:** **14 Years**

(21) **Appl. No.:** **29/347,997**

(22) **Filed:** **Sep. 7, 2010**

(30) **Foreign Application Priority Data**

Mar. 8, 2010 (EM) ..... 001678699-0002

(51) **LOC (9) Cl.** ..... **12-16**

(52) **U.S. Cl.**  
USPC ..... **D12/209**

(58) **Field of Classification Search**  
USPC ..... D12/204–213; 301/37.101, 64.101,  
301/65, 64.201

See application file for complete search history.

(56) **References Cited**

**U.S. PATENT DOCUMENTS**

D432,479 S *	10/2000	Lee et al.	.....	D12/209
D436,907 S *	1/2001	Ong	.....	D12/209
D470,093 S *	2/2003	Frizzi	.....	D12/209
D505,371 S *	5/2005	Hueller	.....	D12/209
D515,997 S *	2/2006	Phillips	.....	D12/209
D538,215 S *	3/2007	Laengerer et al.	.....	D12/209
D540,236 S *	4/2007	Hamano	.....	D12/209

D550,140 S *	9/2007	Laengerer	.....	D12/211
D574,310 S *	8/2008	Huet	.....	D12/209
D585,802 S *	2/2009	Hieke	.....	D12/209
D589,425 S *	3/2009	Theiss	.....	D12/209
D593,477 S *	6/2009	Chen et al.	.....	D12/211
D604,222 S *	11/2009	Krisch	.....	D12/211
D623,110 S *	9/2010	Juergens et al.	.....	D12/209
D624,476 S *	9/2010	Goto et al.	.....	D12/209
D643,793 S *	8/2011	Juergens et al.	.....	D12/209
D649,105 S *	11/2011	Hilpert et al.	.....	D12/211
D662,868 S *	7/2012	Furst et al.	.....	D12/209
D667,355 S *	9/2012	Gotschke	.....	D12/209
D669,011 S *	10/2012	Chung	.....	D12/211
D673,094 S *	12/2012	Behmer et al.	.....	D12/209
D674,329 S *	1/2013	Bildhaeuser	.....	D12/209

\* cited by examiner

*Primary Examiner* — Stacia Cadmus

(74) *Attorney, Agent, or Firm* — Crowell & Moring LLP

(57) **CLAIM**

The ornamental design for a wheel or wheel cover, as shown and described.

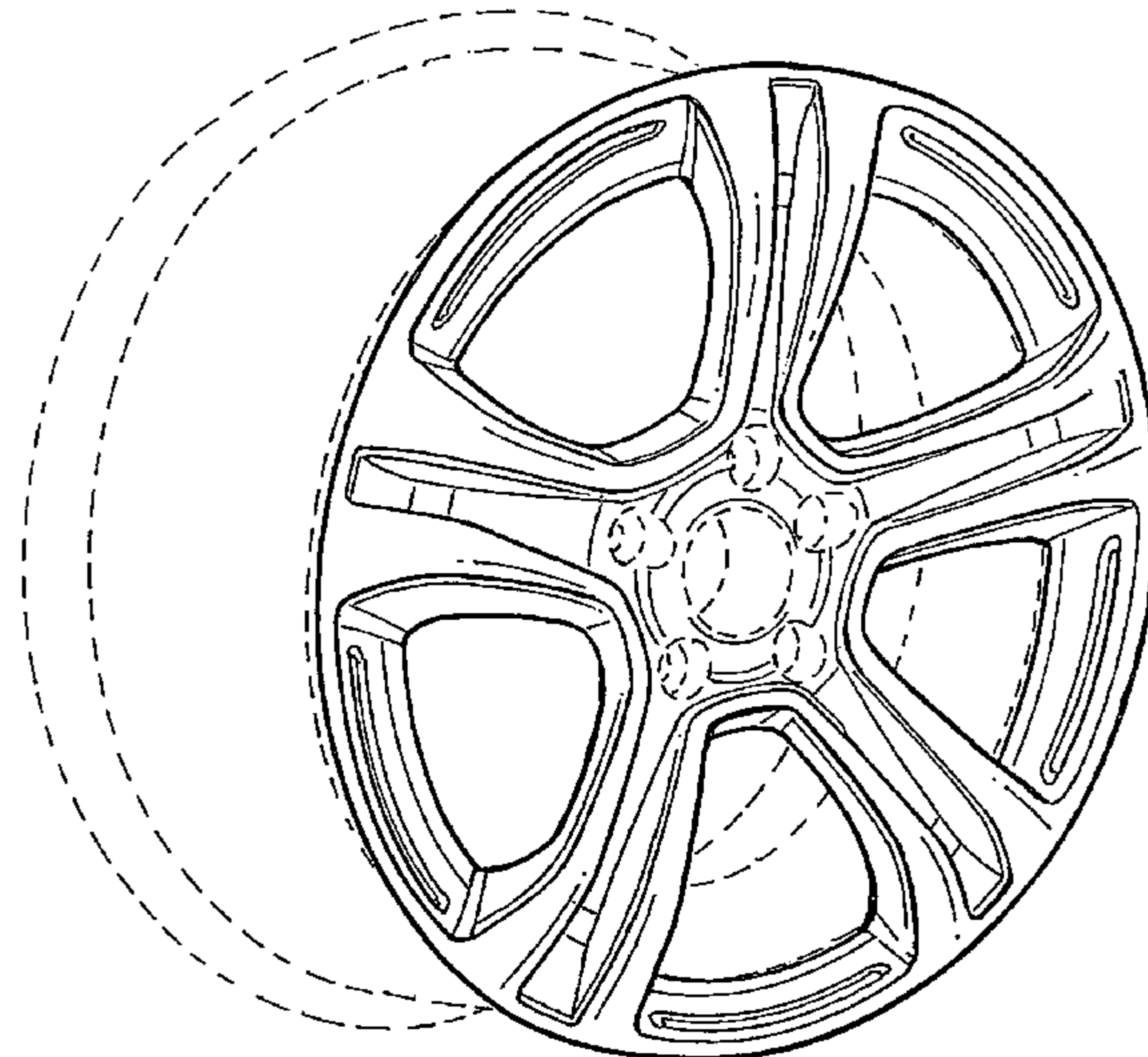
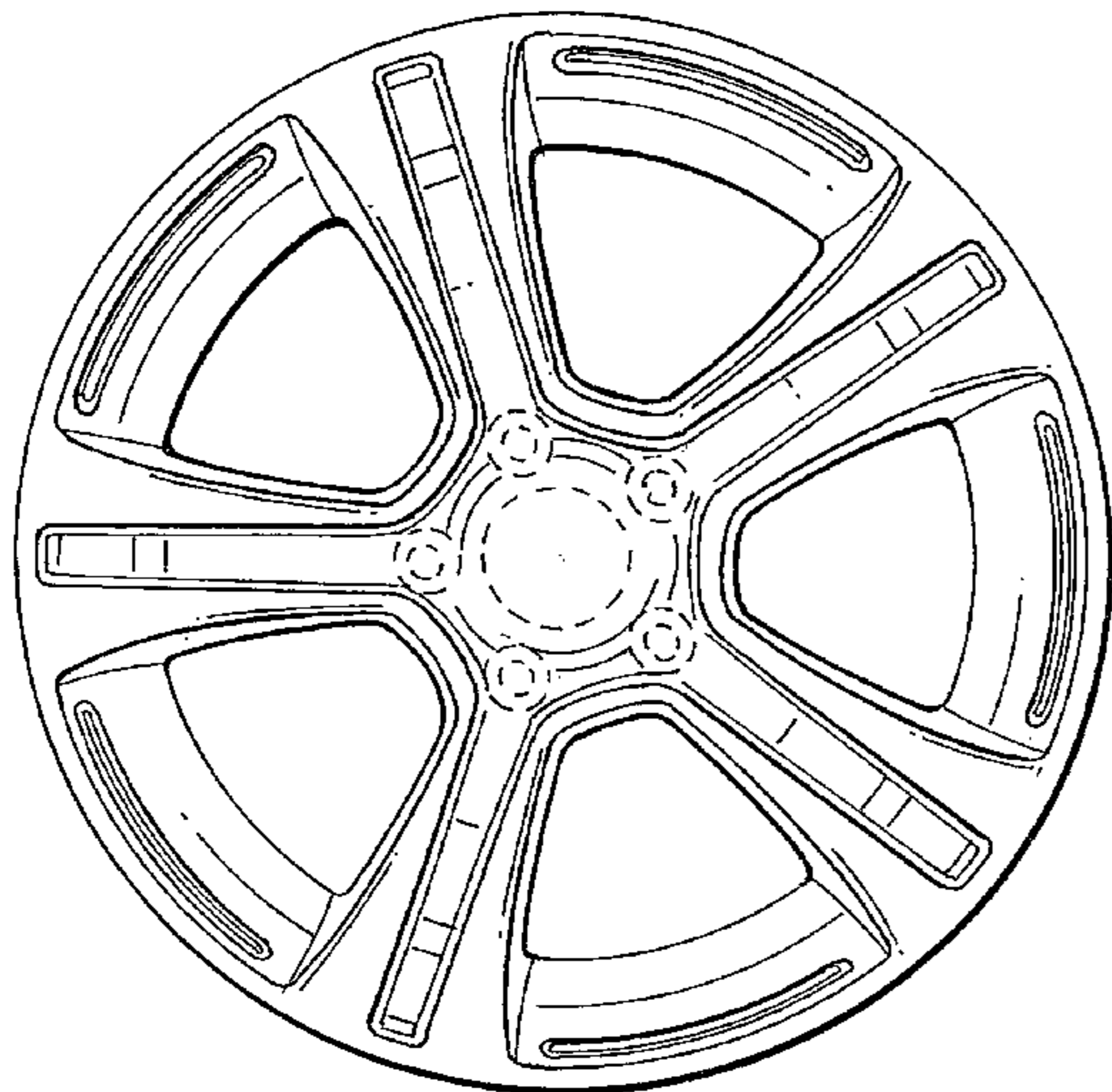
**DESCRIPTION**

FIG. 1 is a front view of a wheel or wheel cover according to my design; and,

FIG. 2 is a perspective view thereof.

The broken line showing of the rear of the wheel and the bolt holes and center opening in the central hub area is included for the purpose of illustrating environment and forms no part of the claimed design.

**1 Claim, 1 Drawing Sheet**



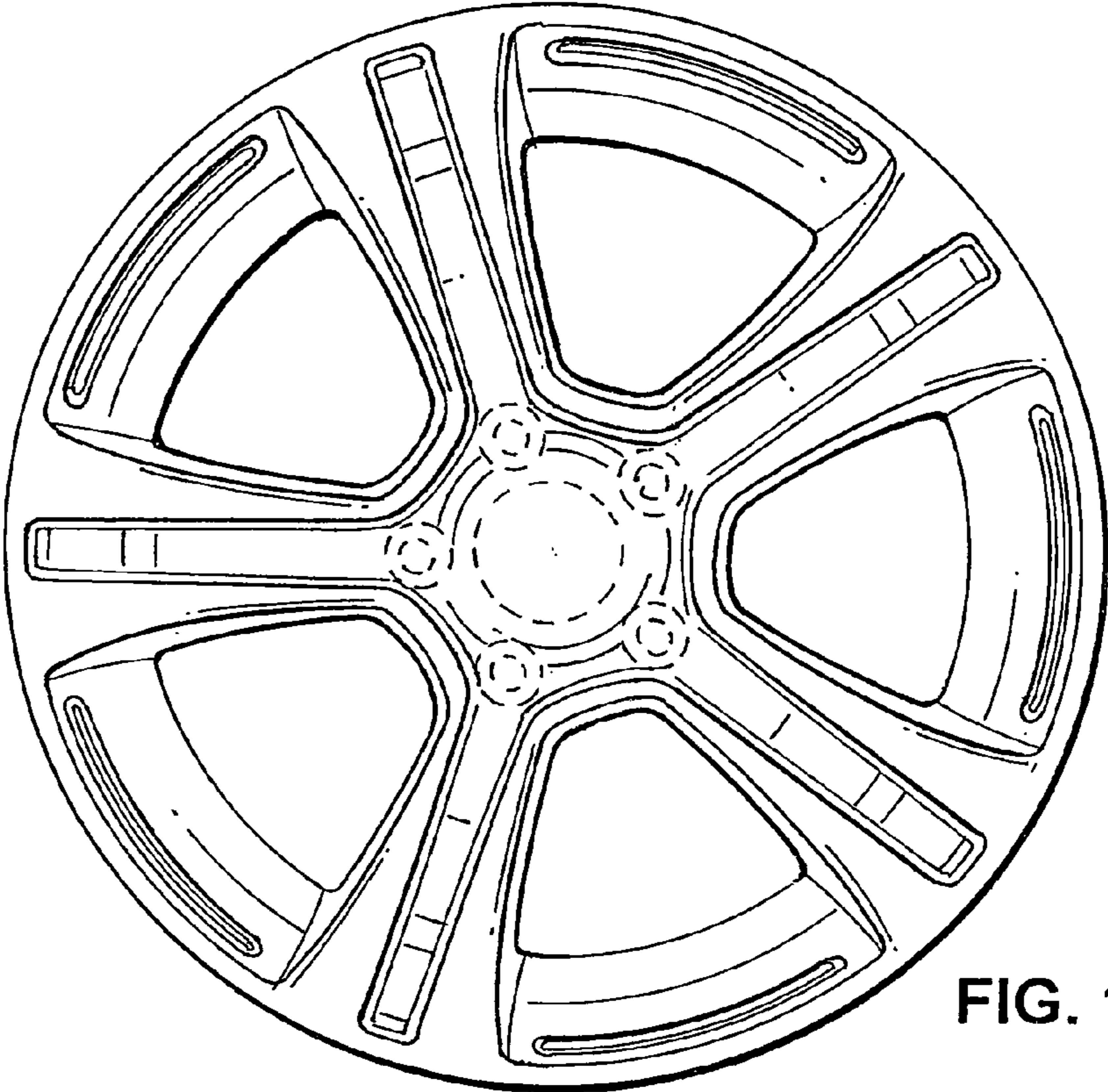


FIG. 1

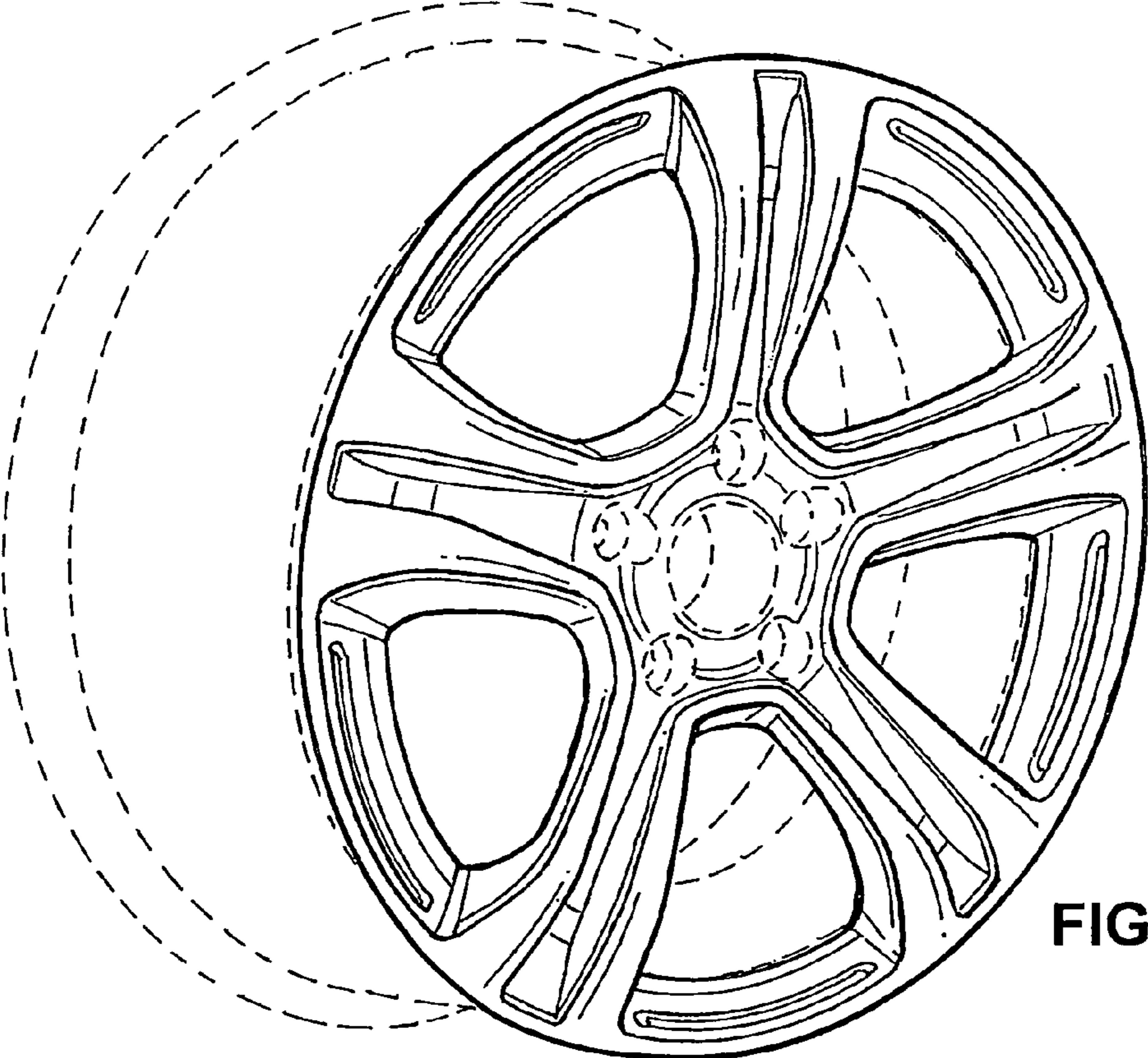


FIG. 2