

US00D690246S

(12) **United States Design Patent**
Giordano

(10) **Patent No.:** **US D690,246 S**

(45) **Date of Patent:** **** Sep. 24, 2013**

(54) **ACCESSORY REAR VIEW MIRROR MOUNT**

(71) Applicant: **Michael A. Giordano**, Rohnert Park, CA
(US)

(72) Inventor: **Michael A. Giordano**, Rohnert Park, CA
(US)

(**) Term: **14 Years**

(21) Appl. No.: **29/433,449**

(22) Filed: **Sep. 28, 2012**

(51) **LOC (9) Cl.** **12-16**

(52) **U.S. Cl.**
USPC **D12/187**

(58) **Field of Classification Search**
USPC D12/187, 188-189; D6/300, 309;
359/838, 841, 842, 843, 844, 868, 871, 604,
359/881, 514, 866; 248/479-483, 475.1
See application file for complete search history.

(56) **References Cited**

U.S. PATENT DOCUMENTS

D467,792 S * 12/2002 Zadak et al. D8/373
D470,397 S * 2/2003 Valiulis et al. D8/380

D534,109 S * 12/2006 Camm D12/187
D592,491 S * 5/2009 Kirby D8/380
7,780,298 B2 * 8/2010 Greathouse 359/842
D651,962 S * 1/2012 Barkdoll et al. D12/223
D656,884 S * 4/2012 Barkdoll et al. D12/223

* cited by examiner

Primary Examiner — Katrina A Betton

(74) *Attorney, Agent, or Firm* — Bay Area Technology Law
Group PC

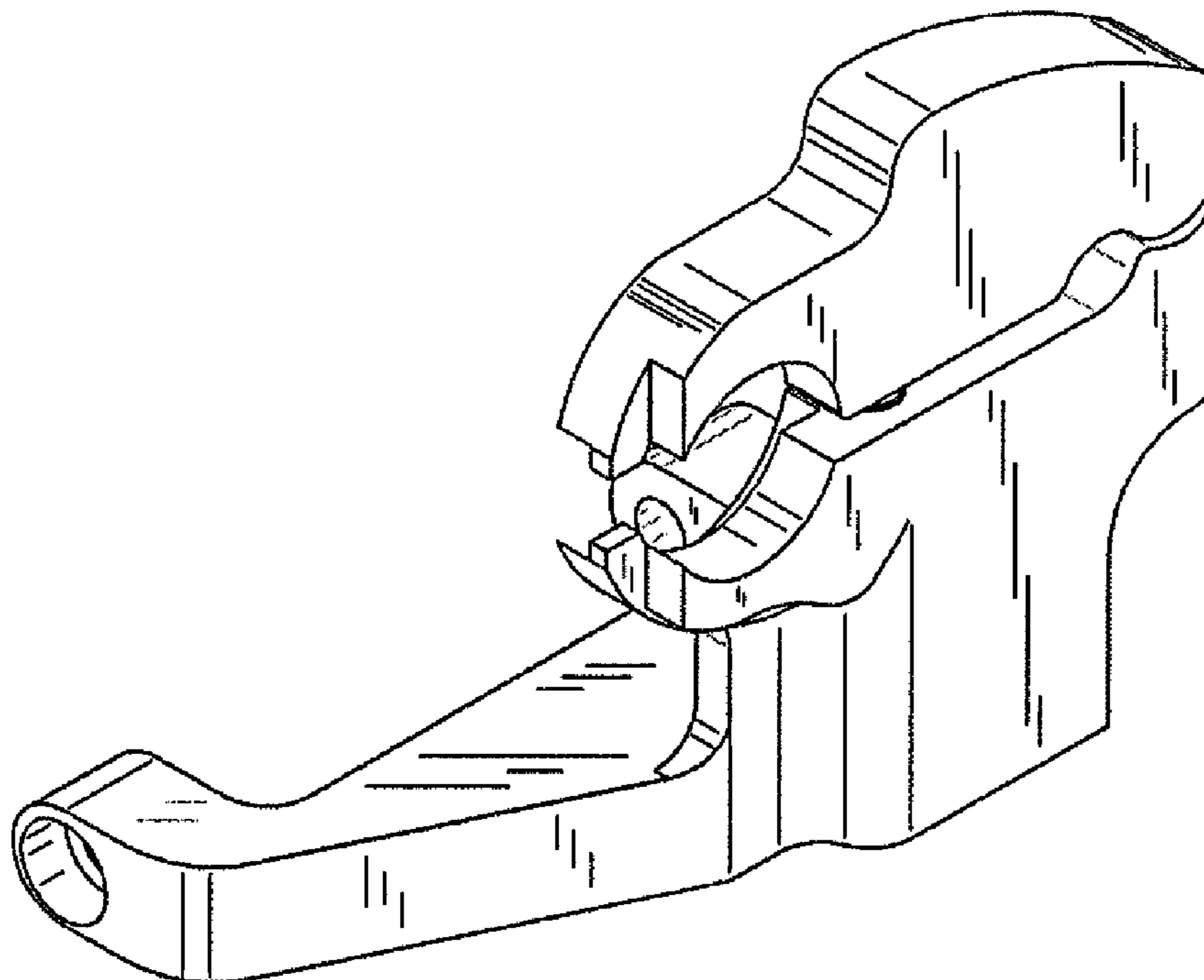
(57) **CLAIM**

The ornamental design for an accessory rear view mirror
mount, as shown and described.

DESCRIPTION

FIG. 1 is a perspective view of an accessory rear view mirror
mount showing my new design;
FIG. 2 is a right side view of FIG. 1;
FIG. 3 is a left side view of FIG. 1;
FIG. 4 is a rear view of FIG. 1;
FIG. 5 is a front view of FIG. 1;
FIG. 6 is a top plan view of FIG. 1; and,
FIG. 7 is a bottom plan view of FIG. 1.

1 Claim, 2 Drawing Sheets



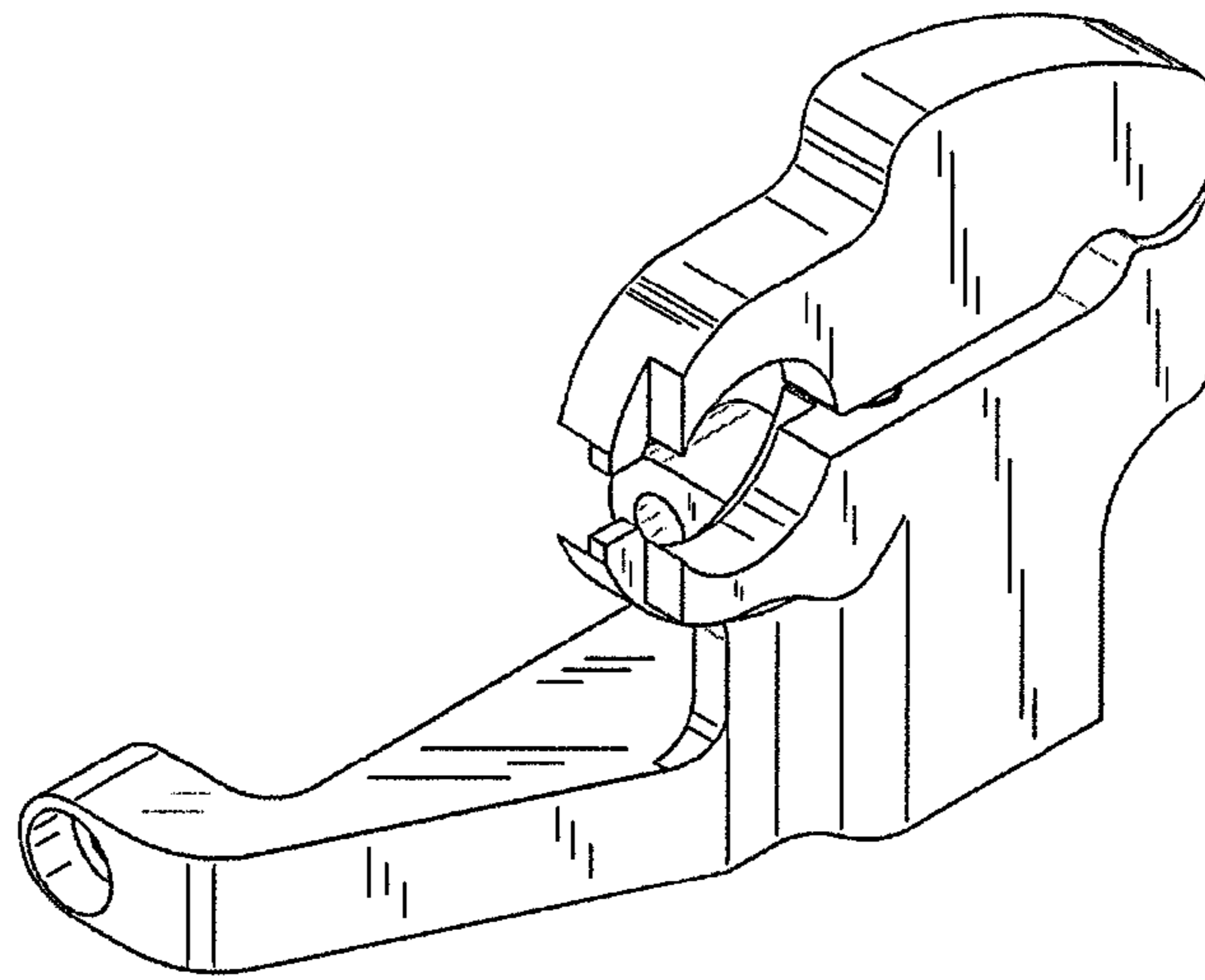


FIG. 1

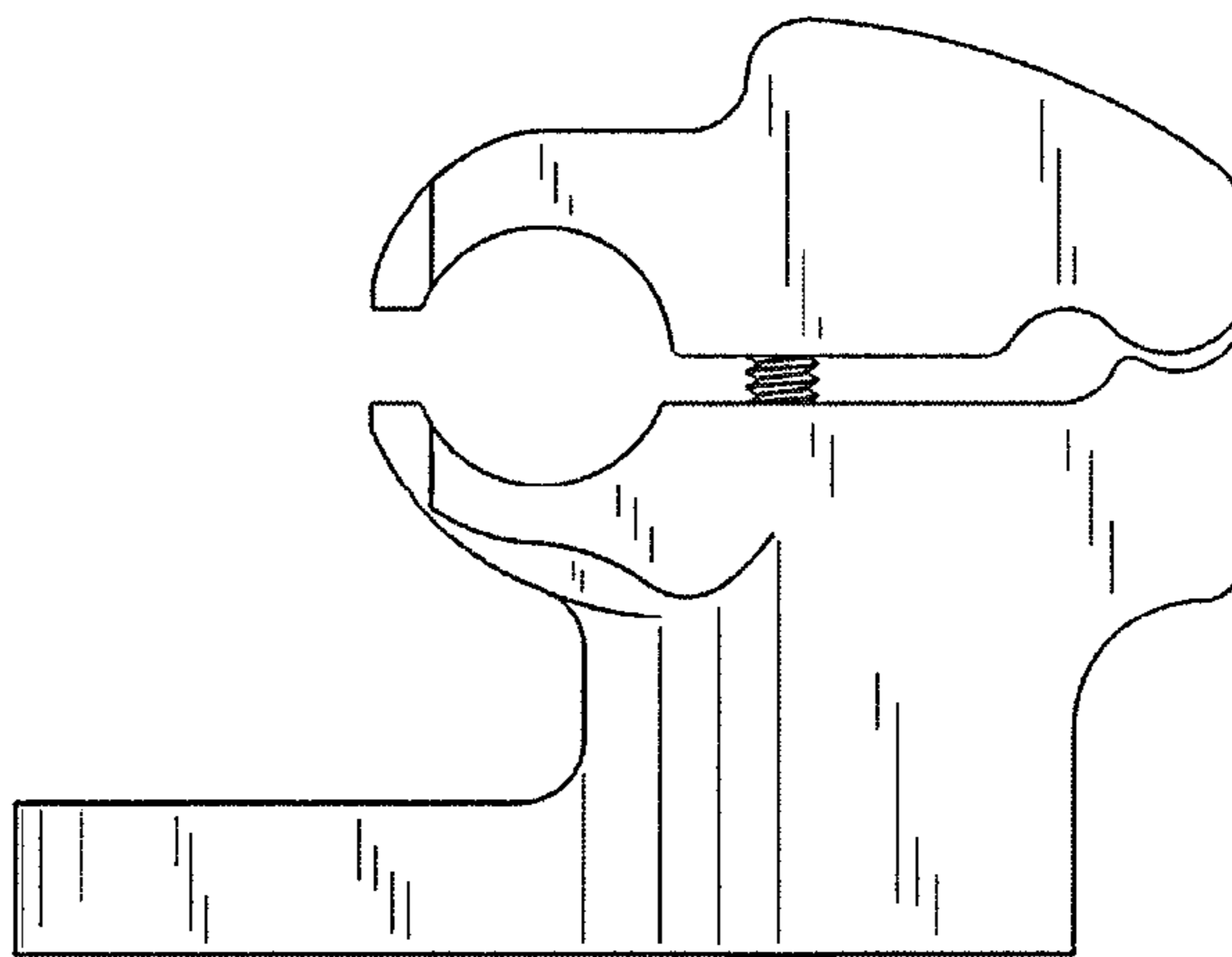


FIG. 2

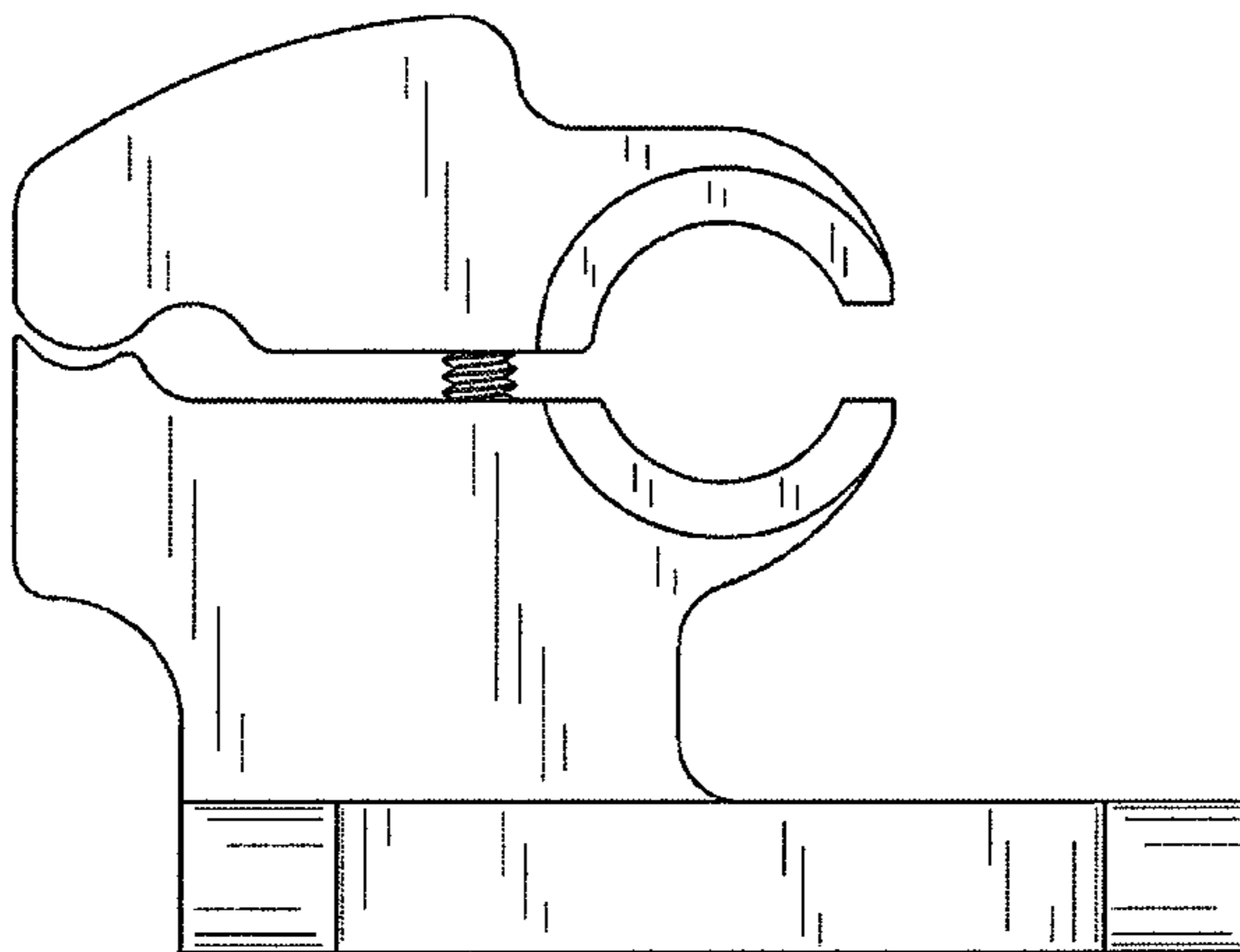


FIG. 3

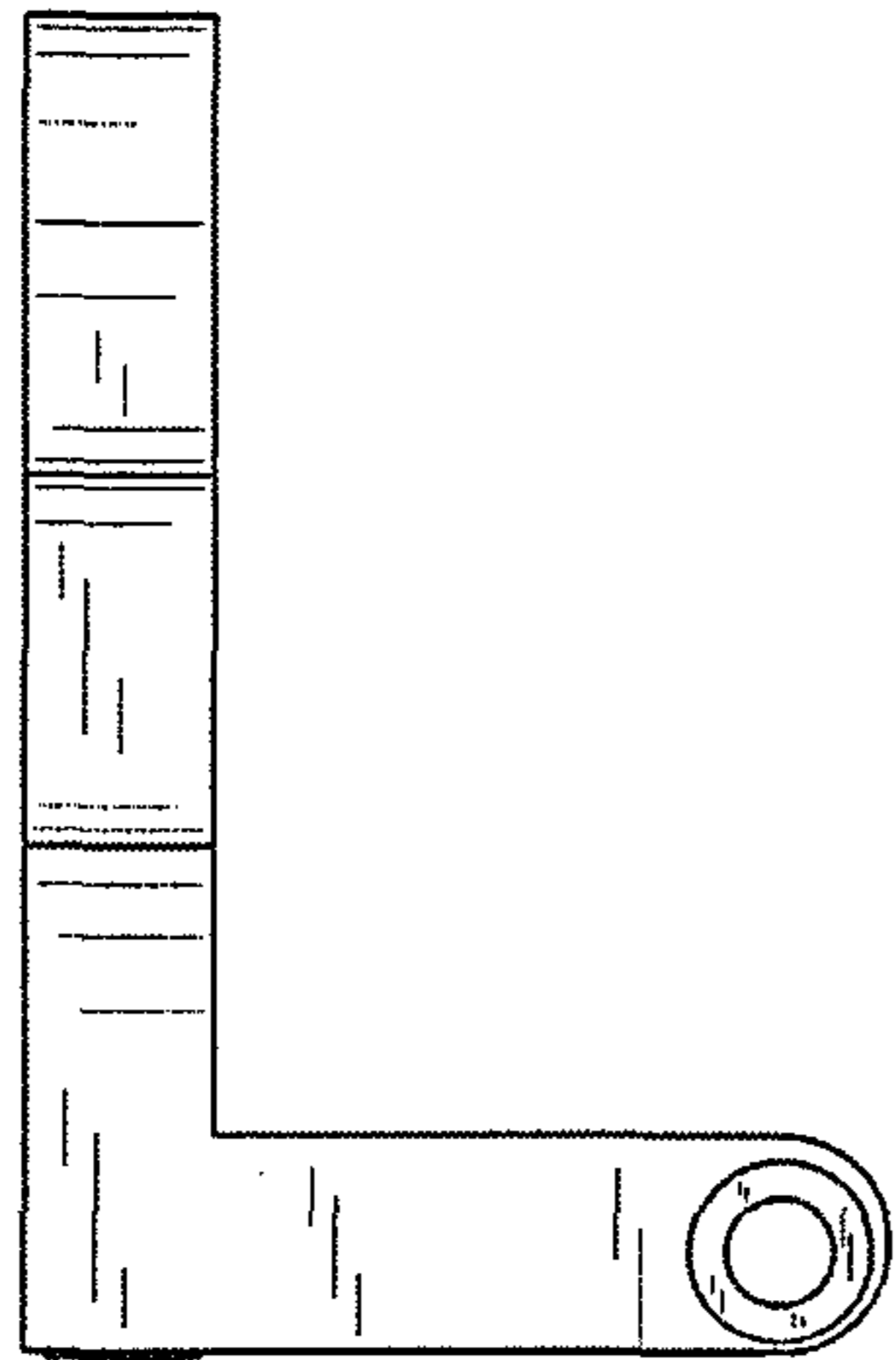


FIG. 4

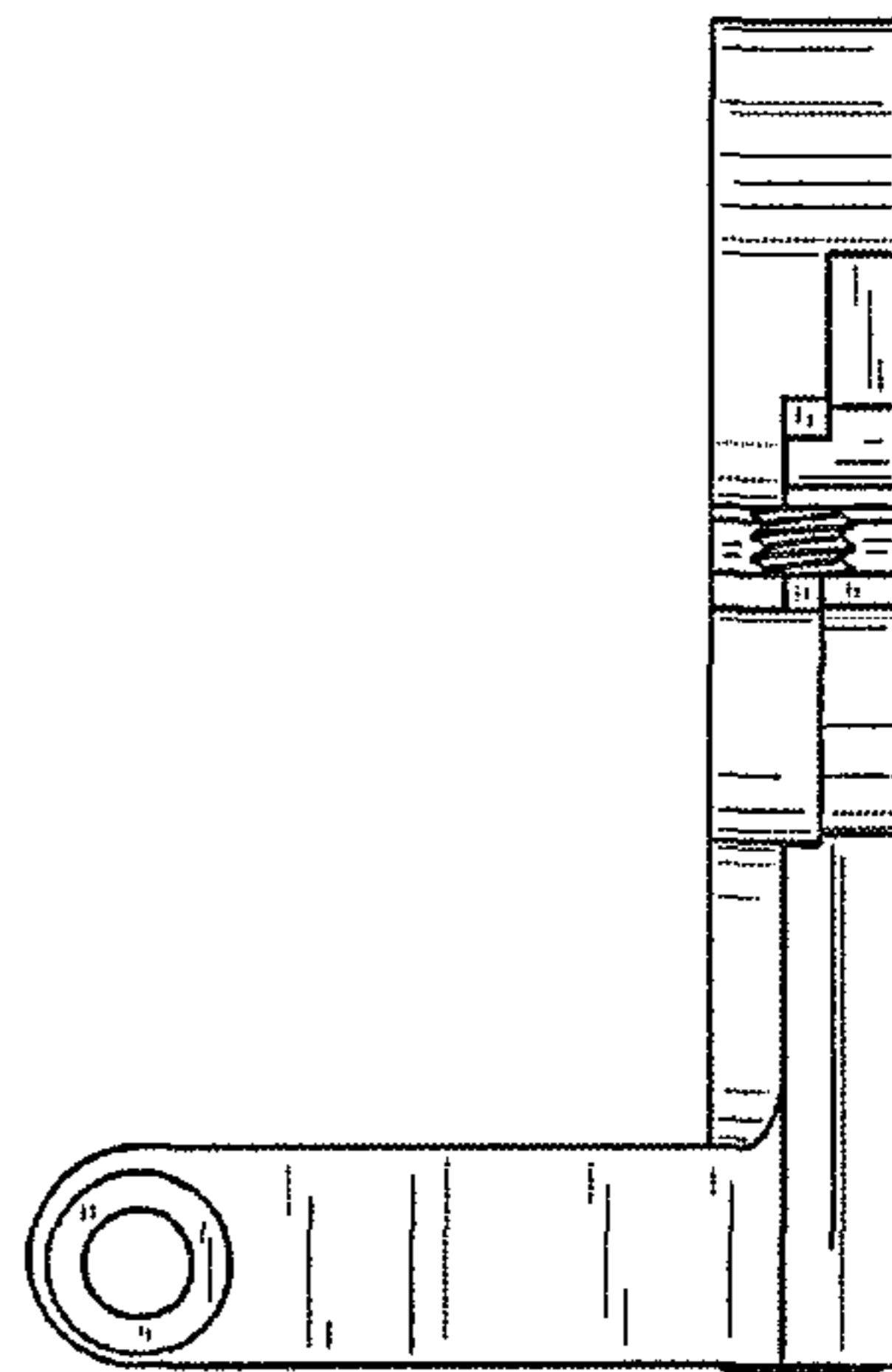


FIG. 5

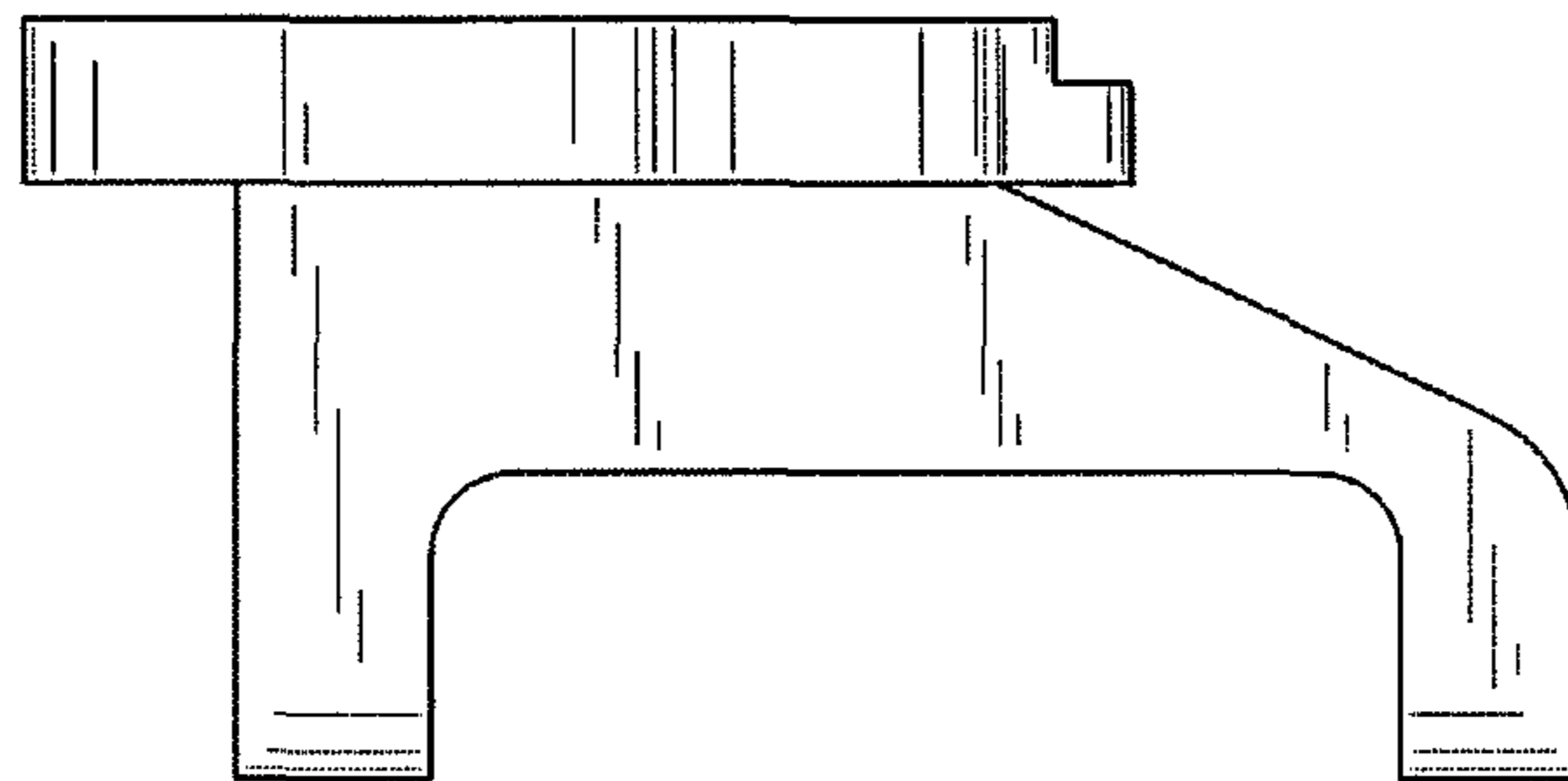


FIG. 6

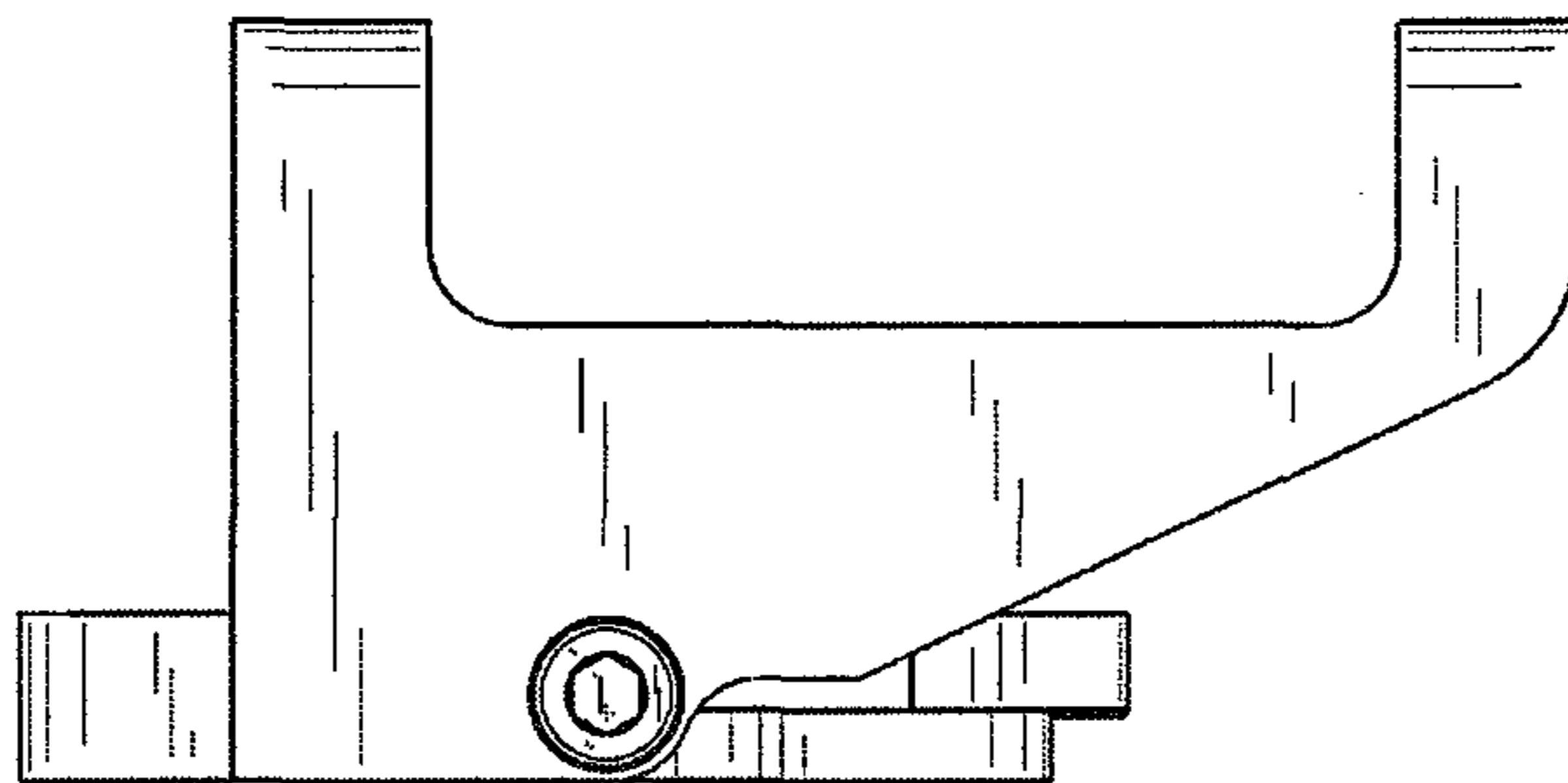


FIG. 7