



US00D690241S

(12) **United States Design Patent**  
**Gustafson**

(10) **Patent No.:** **US D690,241 S**

(45) **Date of Patent:** **\*\* Sep. 24, 2013**

(54) **TRAILER HITCH LOCK**

(71) Applicant: **Kenneth Gordon Gustafson**, Jackson, CA (US)

(72) Inventor: **Kenneth Gordon Gustafson**, Jackson, CA (US)

(\*\*) Term: **14 Years**

(21) Appl. No.: **29/443,685**

(22) Filed: **Jan. 21, 2013**

(51) **LOC (9) Cl.** ..... **12-16**

(52) **U.S. Cl.**

USPC ..... **D12/162**

(58) **Field of Classification Search**

USPC ..... D12/162, 159, 160, 161; 56/DIG. 14; 37/399; 280/406.2, 407, 407.1, 408, 411.1, 280/416.1, 416.2, 416.3, 418, 418.1, 433, 280/434, 435, 441.1, 441.2, 455.1, 456.1, 280/480, 493, 504, 507, 508; 224/42.11, 224/42.12, 401, 412, 413, 488, 494, 500-501, 224/519, 537; 135/88.05; 150/166  
See application file for complete search history.

(56) **References Cited**

**U.S. PATENT DOCUMENTS**

D487,694 S *	3/2004	Ter Braak	.....	D8/373
D496,888 S *	10/2004	Johnson, Jr.	.....	D12/162
D581,324 S *	11/2008	Fonk et al.	.....	D12/162
D647,007 S *	10/2011	Takano et al.	.....	D12/162
D661,627 S *	6/2012	Noone et al.	.....	D12/162

\* cited by examiner

*Primary Examiner* — Katrina A Betton

(74) *Attorney, Agent, or Firm* — QuickPatents; Kevin Prince

(57) **CLAIM**

I claim the ornamental design for a trailer hitch lock, as shown and described.

**DESCRIPTION**

FIG. 1 is a rear perspective view of a trailer hitch lock, showing my new design, illustrated with an enclosure and a locking pin;

FIG. 2 is a bottom perspective view thereof;

FIG. 3 is a front elevational view thereof;

FIG. 4 is a rear elevational view thereof, the locking pin omitted for clarity of illustration;

FIG. 5 is a left-side elevational view thereof;

FIG. 6 is a right-side elevational view thereof;

FIG. 7 is a top plan view thereof;

FIG. 8 is a bottom plan view thereof;

FIG. 9 is an enlarged perspective view of the locking pin thereof, the enclosure omitted for clarity of illustration;

FIG. 10 is a front elevational view of FIG. 9, the rear elevational view being a mirror image thereof;

FIG. 11 is a top plan view of FIG. 9, the bottom plan view being a mirror image thereof;

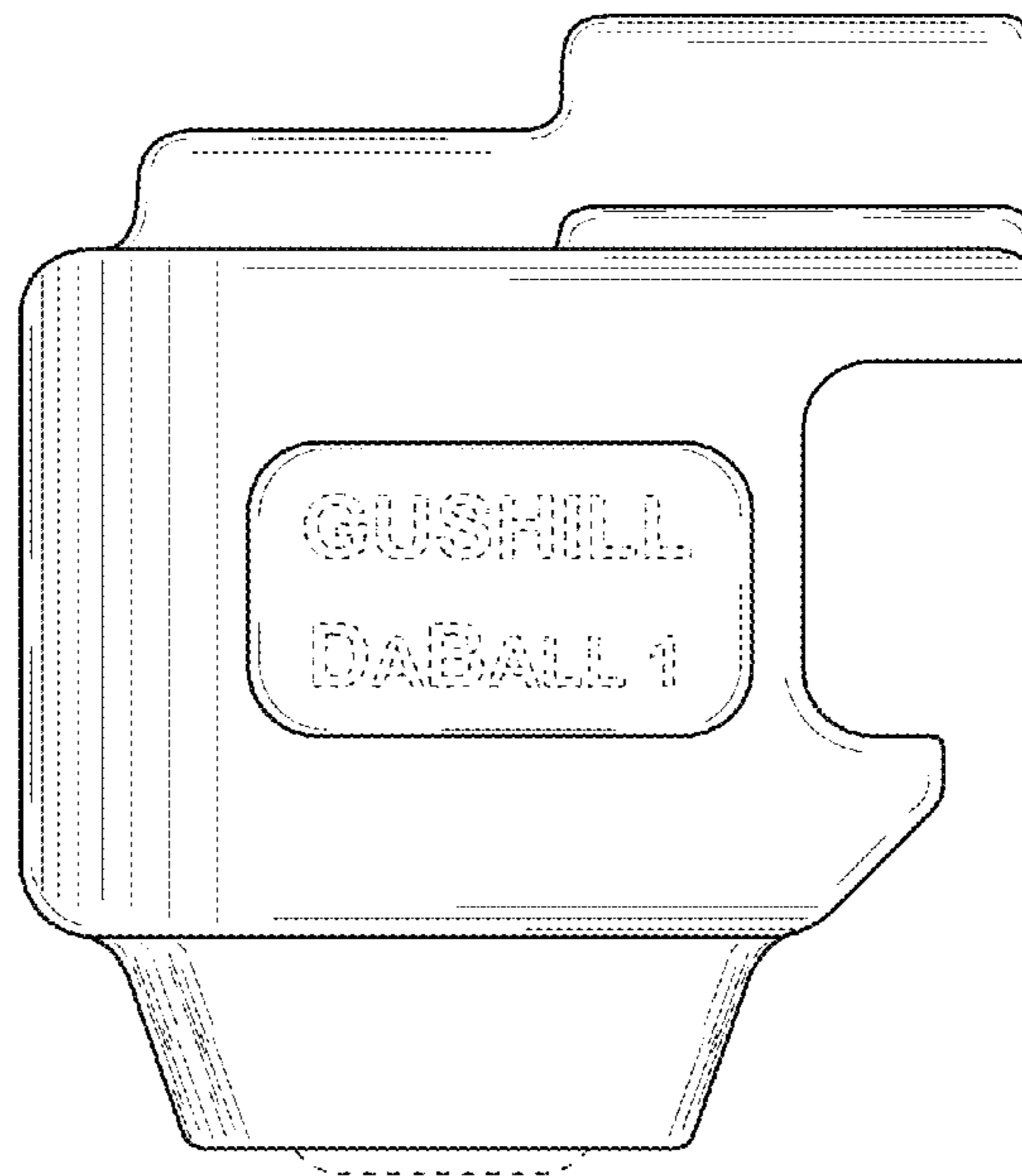
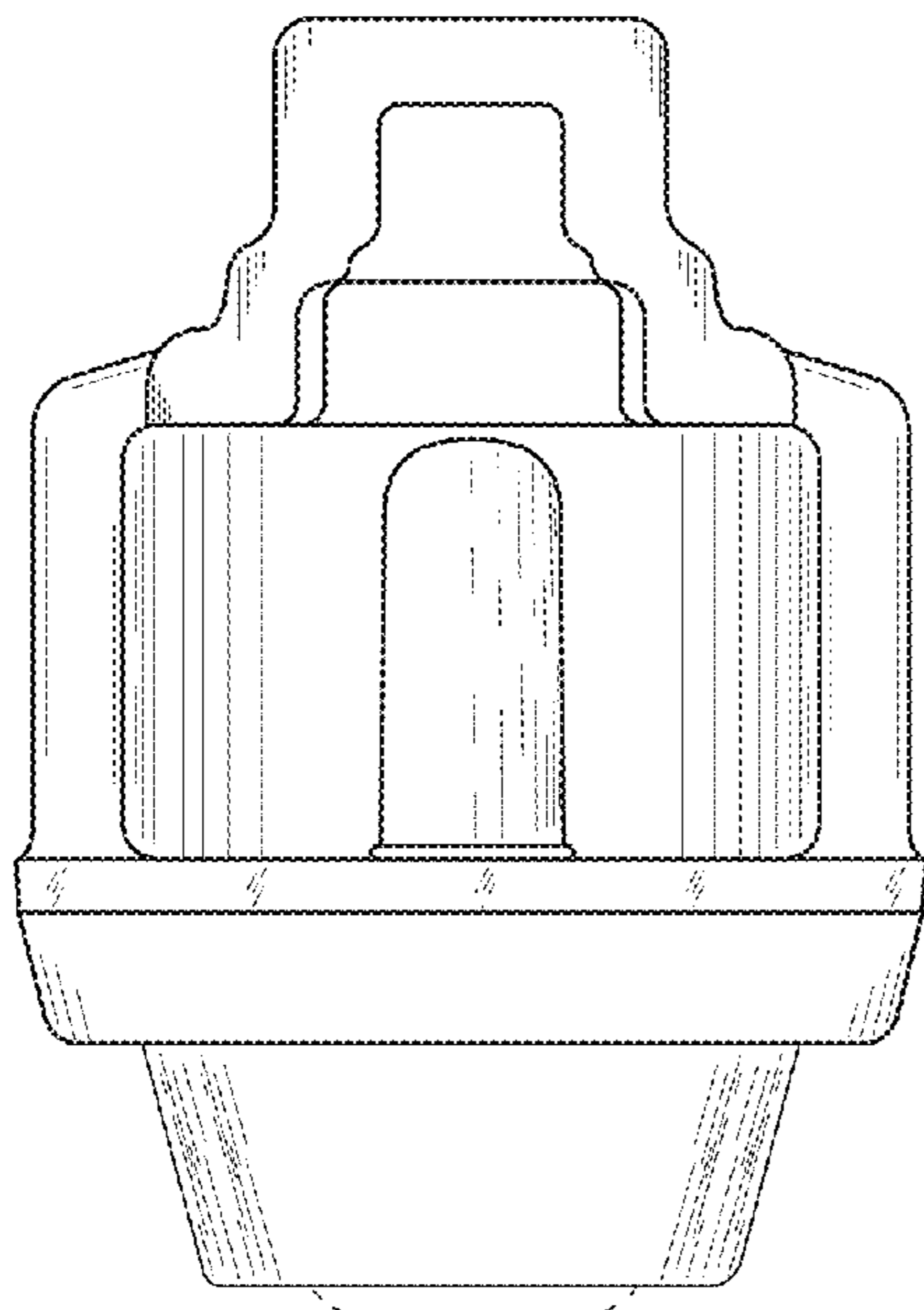
FIG. 12 is a right-side elevational view of FIG. 9;

FIG. 13 is a left-side elevational view of FIG. 9; and,

FIG. 14 is an exploded perspective view of FIG. 2.

The broken lines showing text in FIGS. 5 and 6 and a puck lock in FIGS. 3-6 and 8 depict environmental matter and form no part of the claimed design.

**1 Claim, 7 Drawing Sheets**



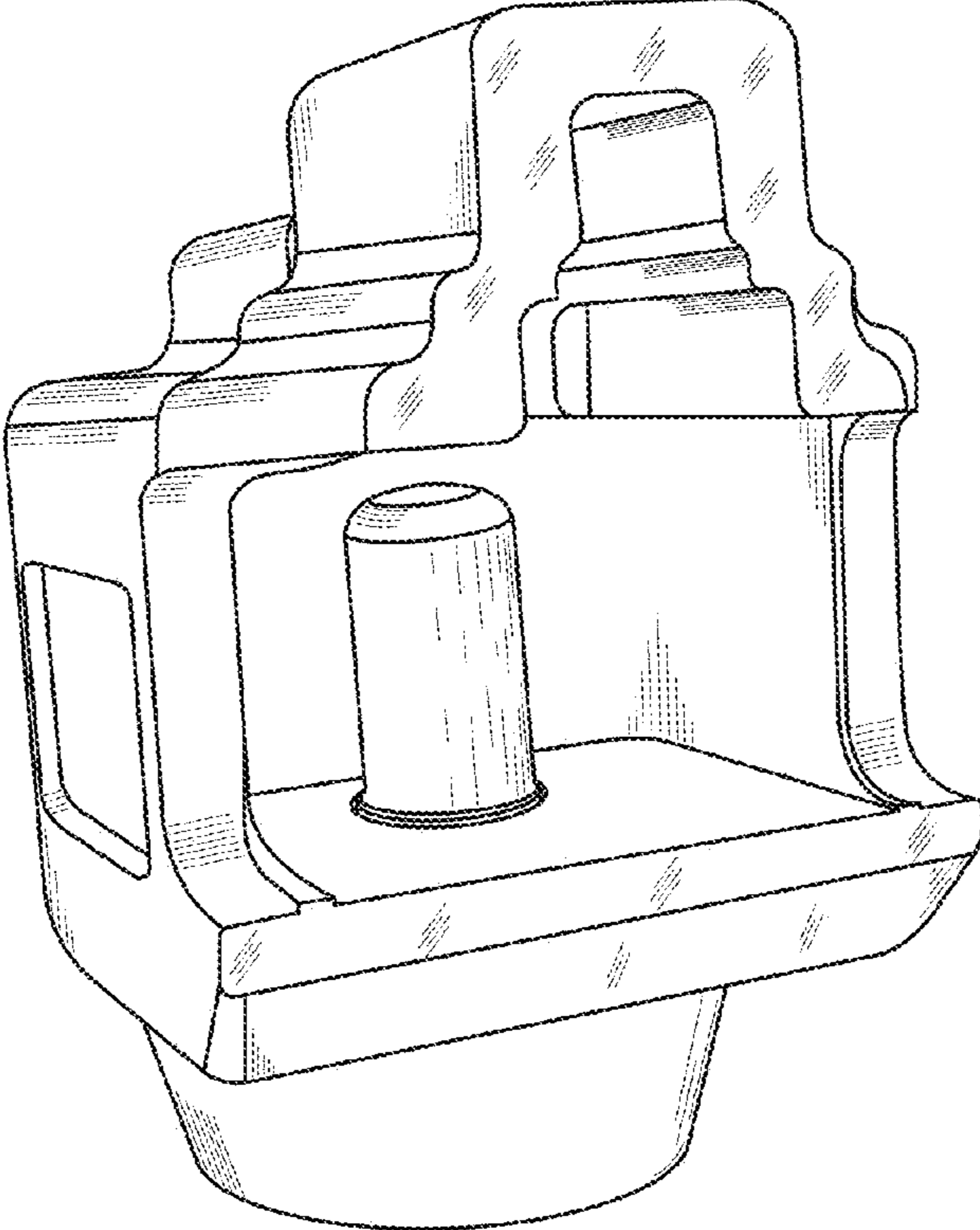


FIG. 1

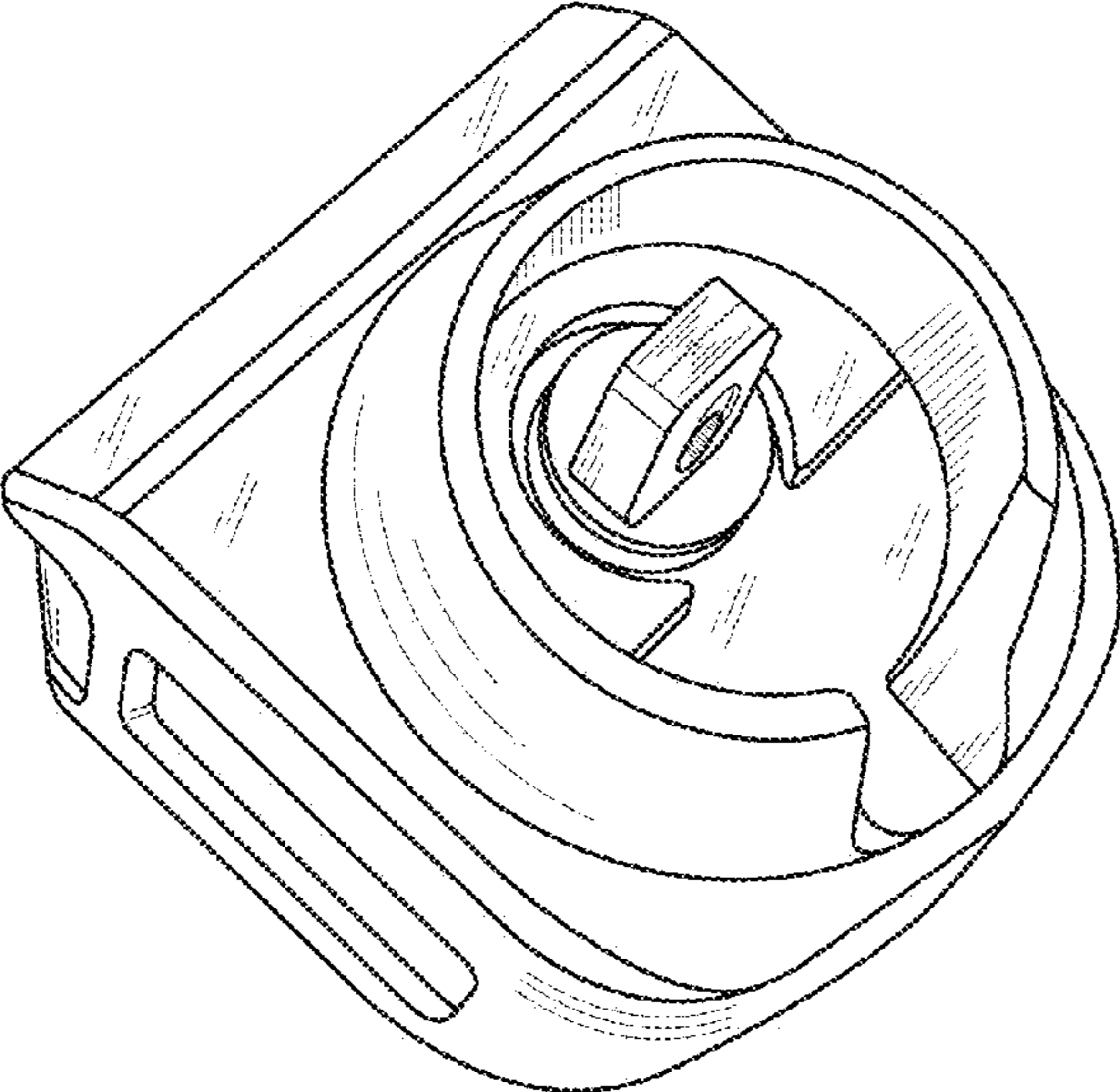


FIG. 2

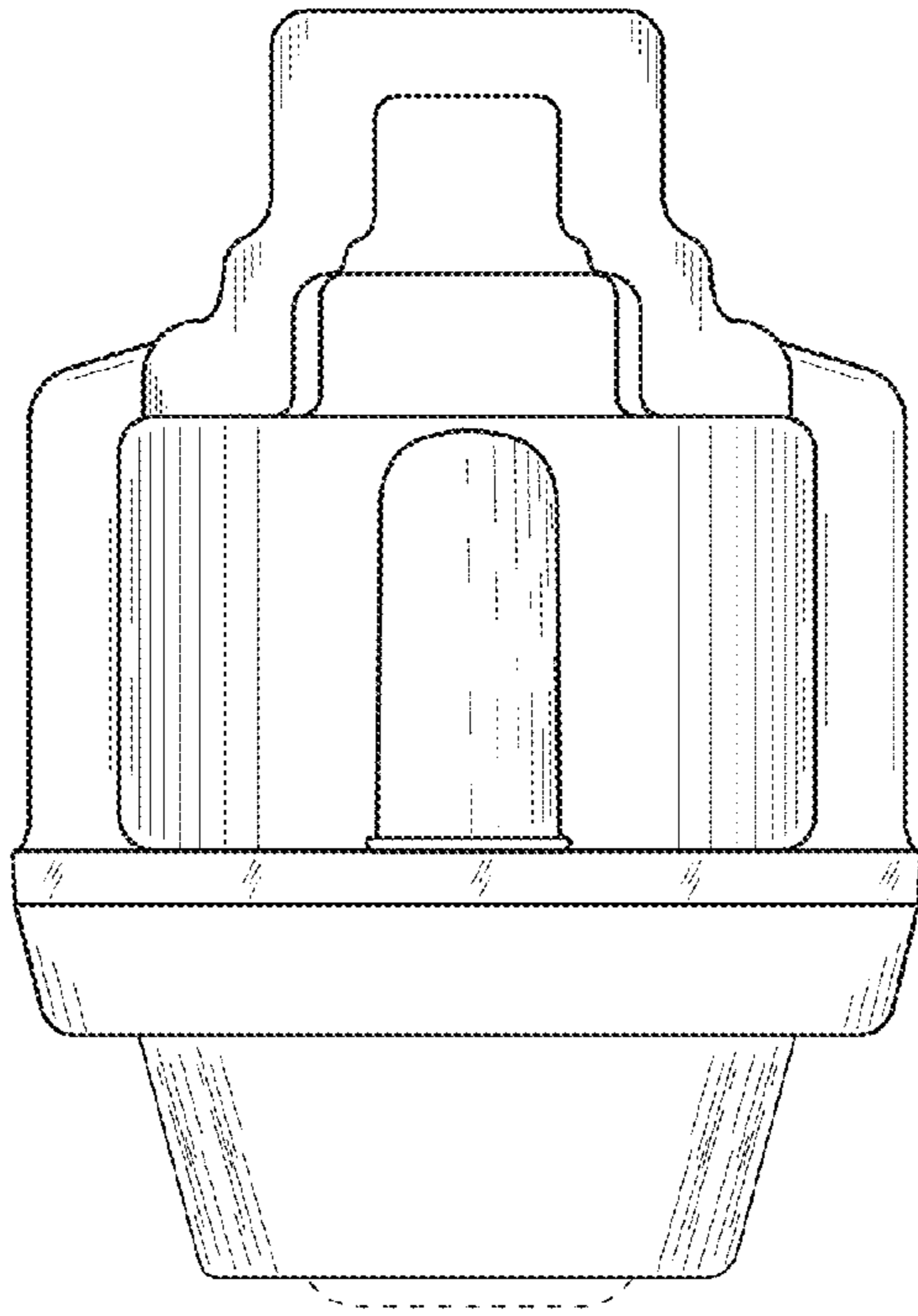


FIG. 3

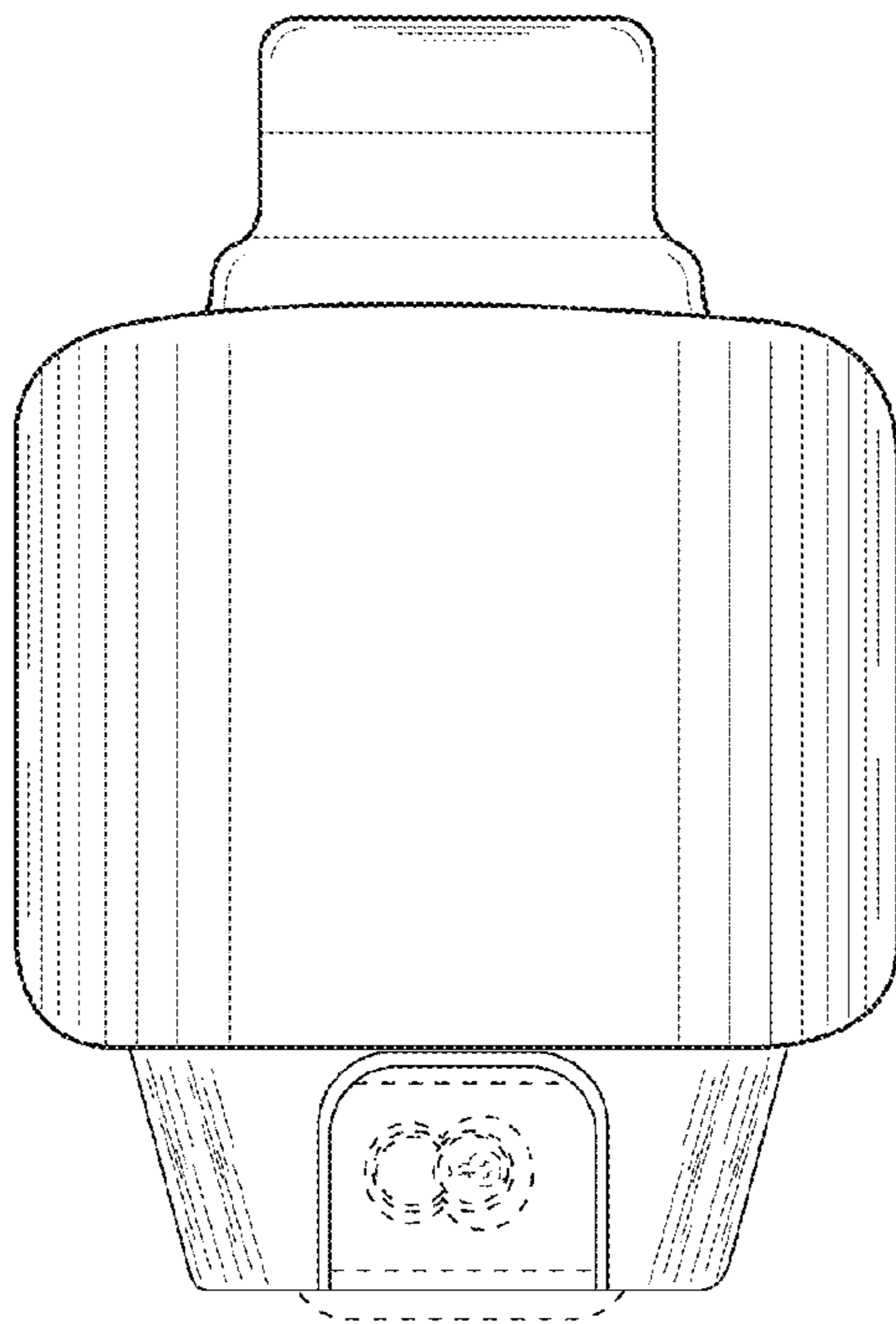


FIG. 4

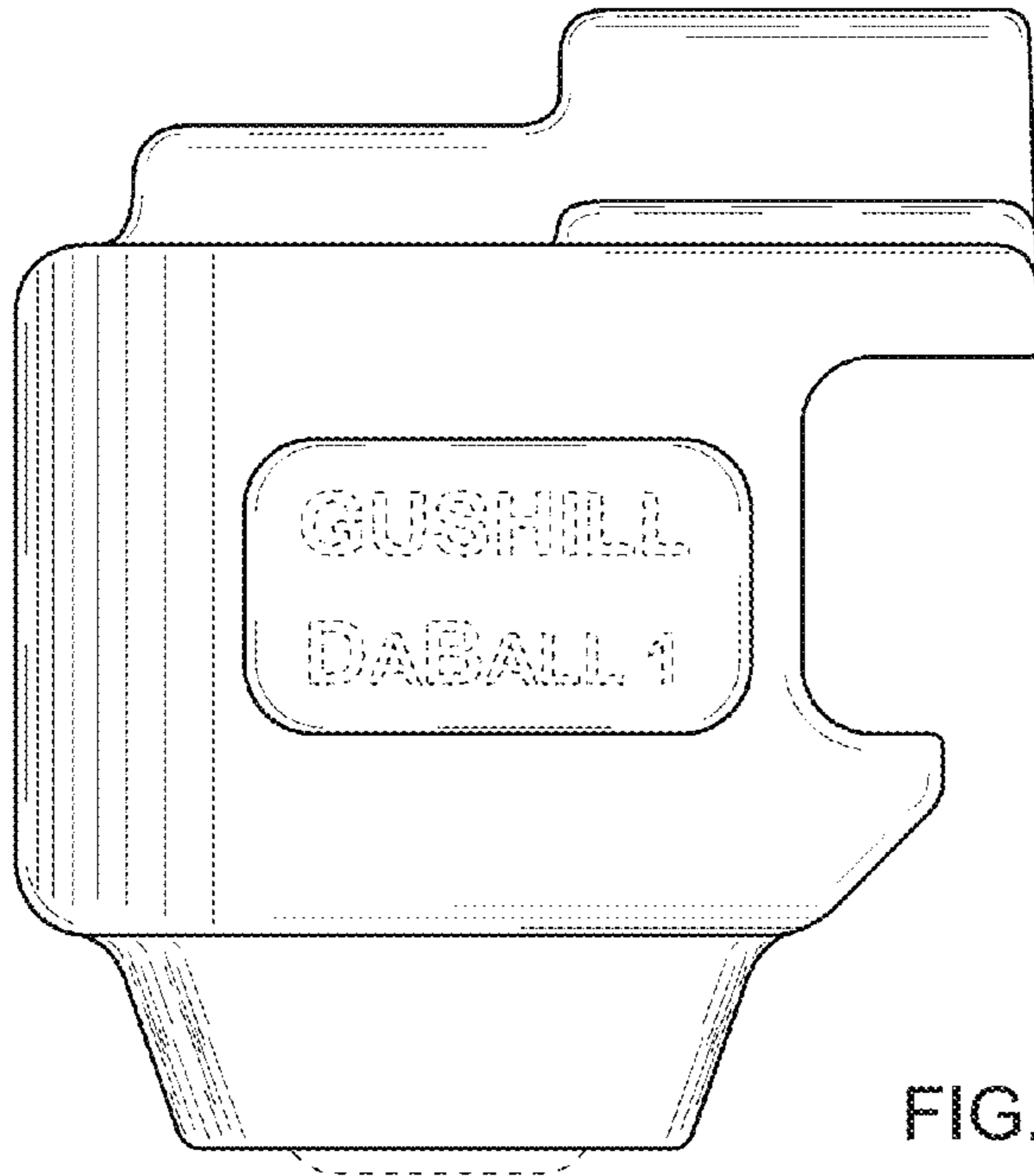


FIG. 5

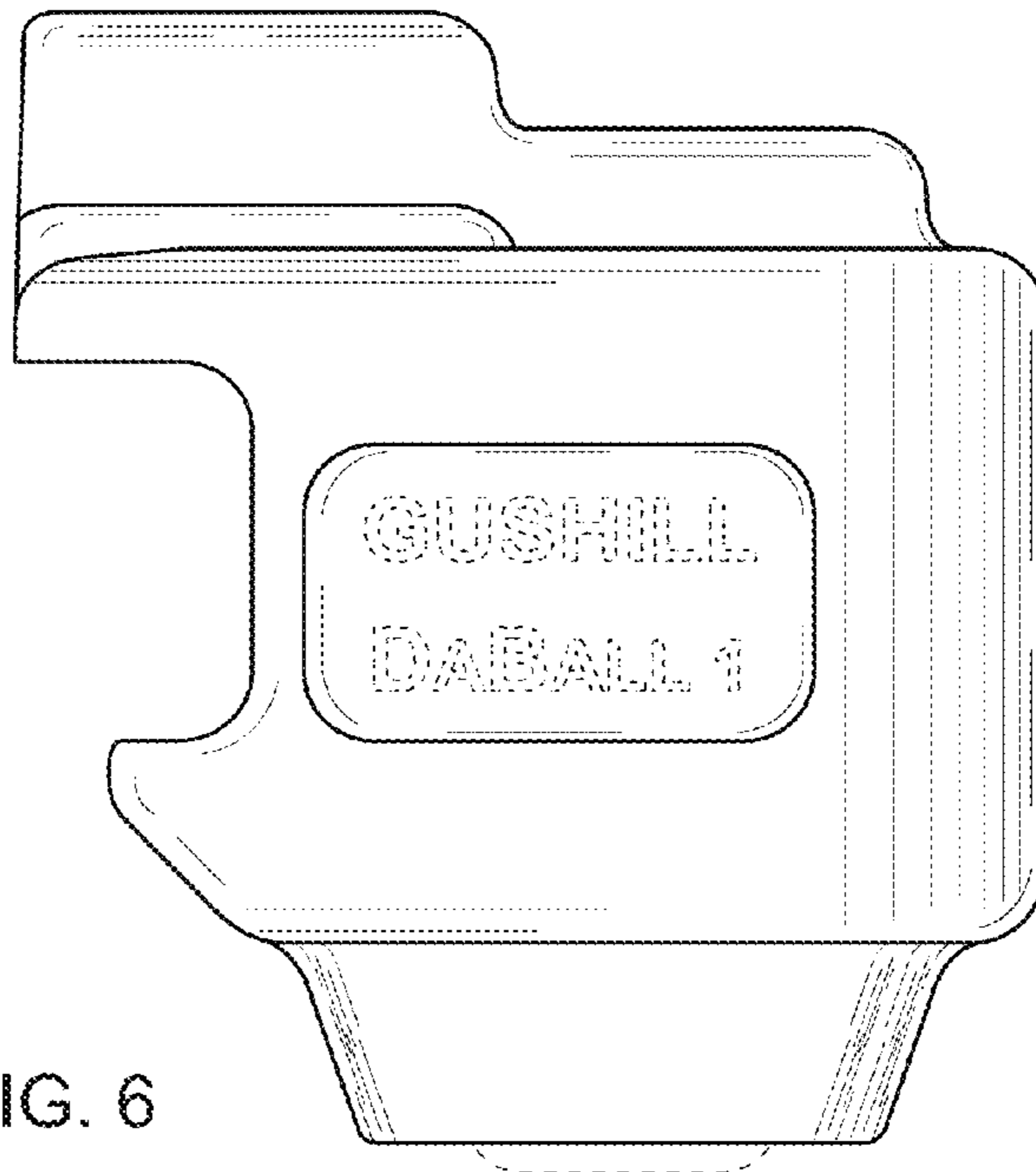


FIG. 6



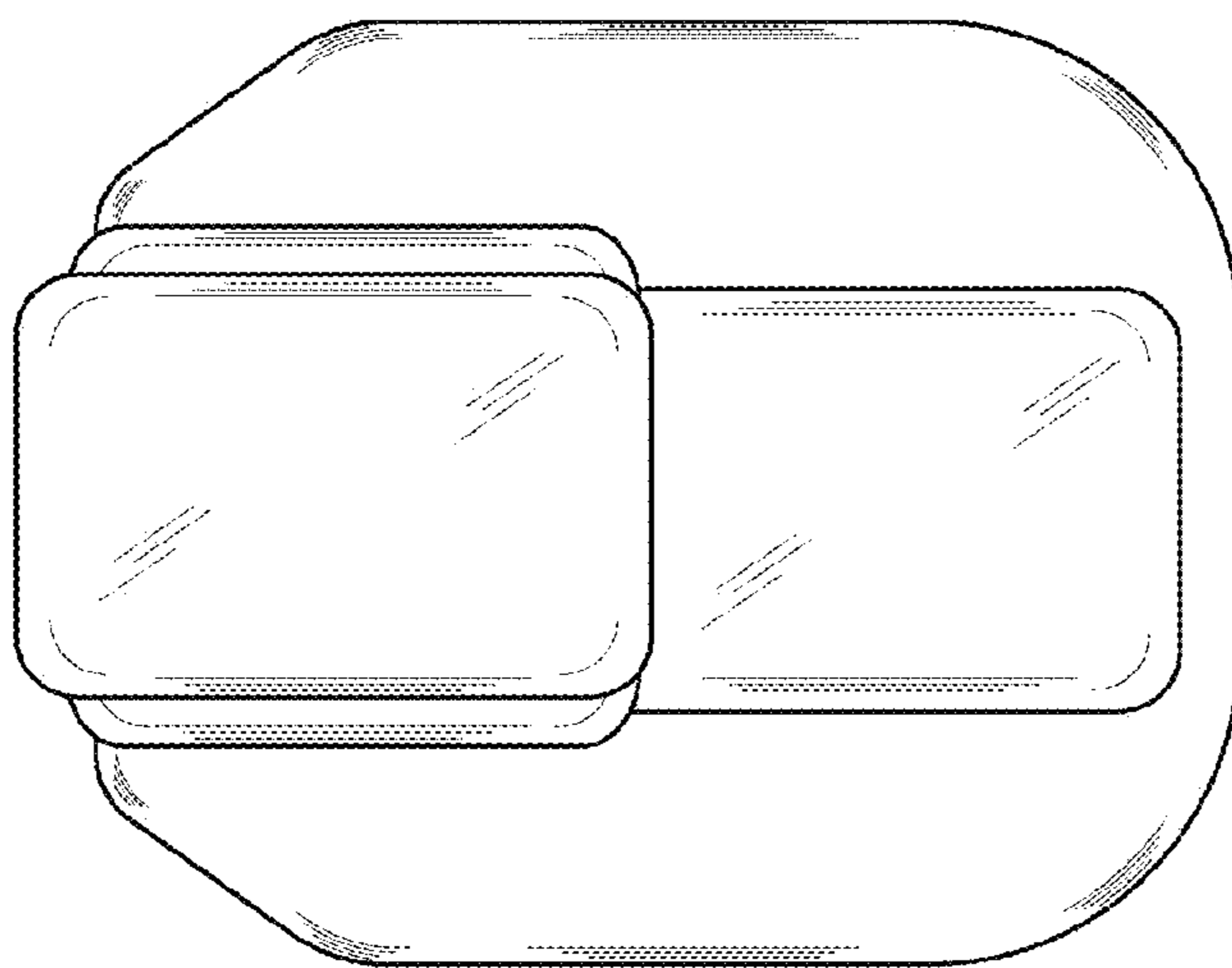


FIG. 7

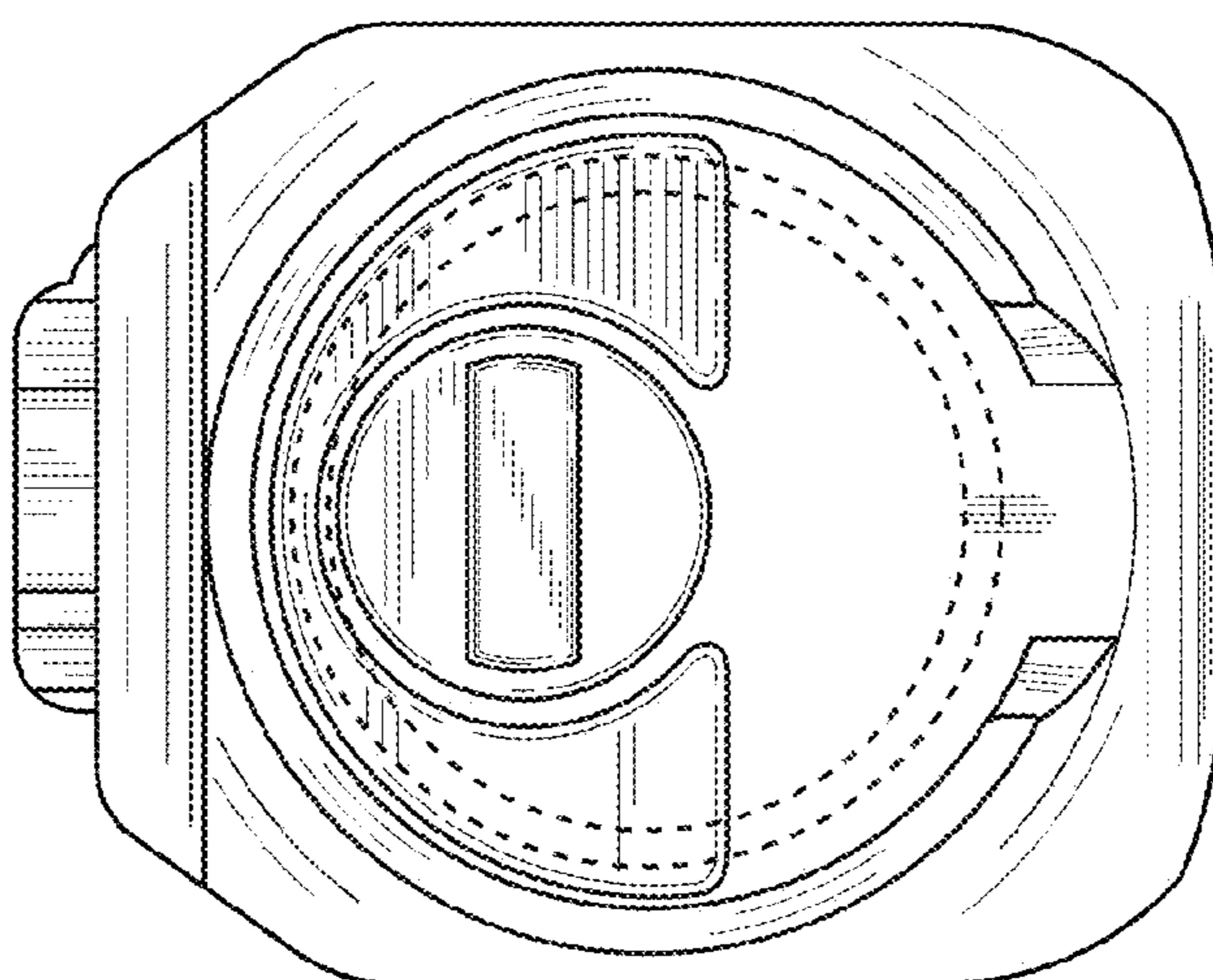


FIG. 8

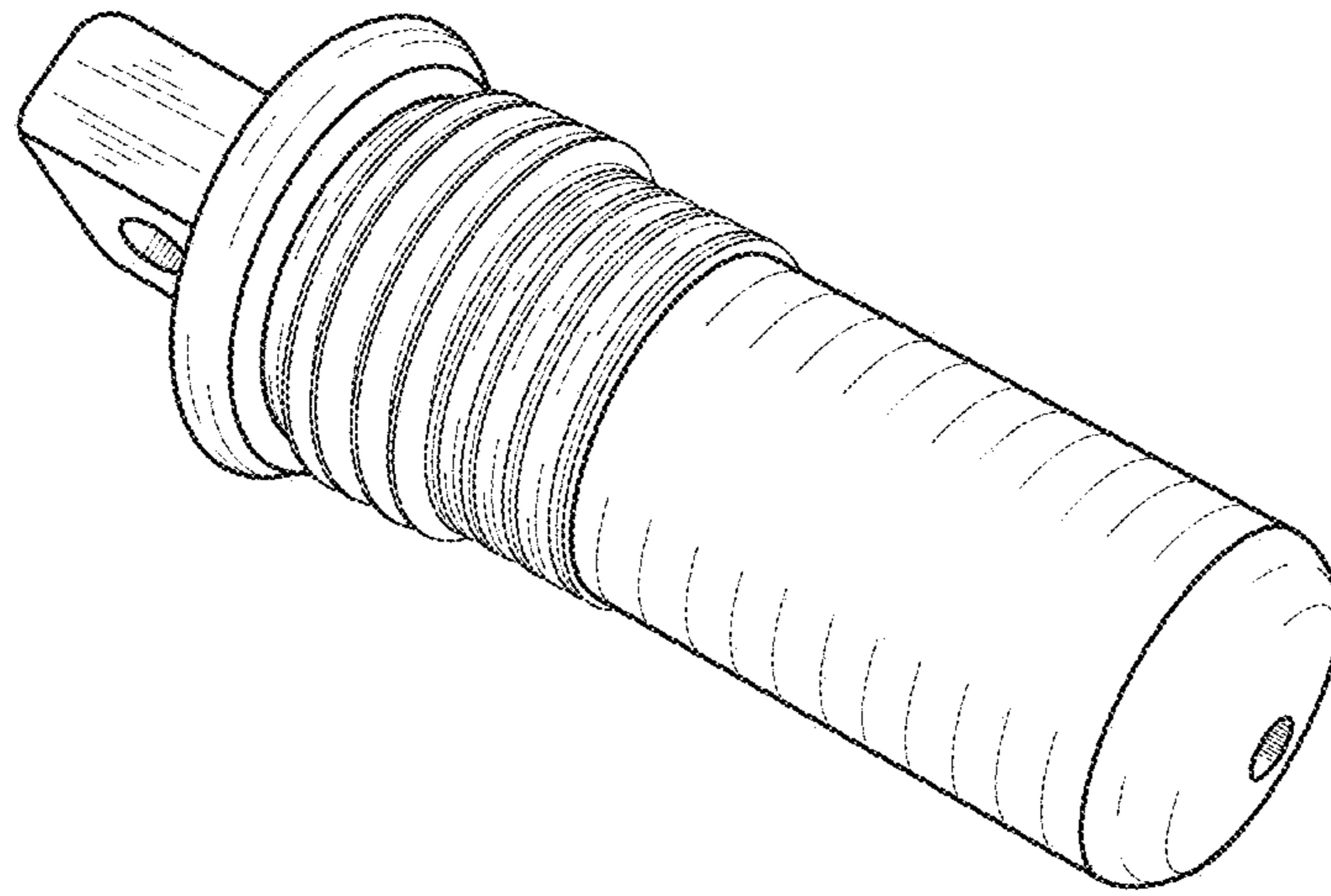


FIG. 9

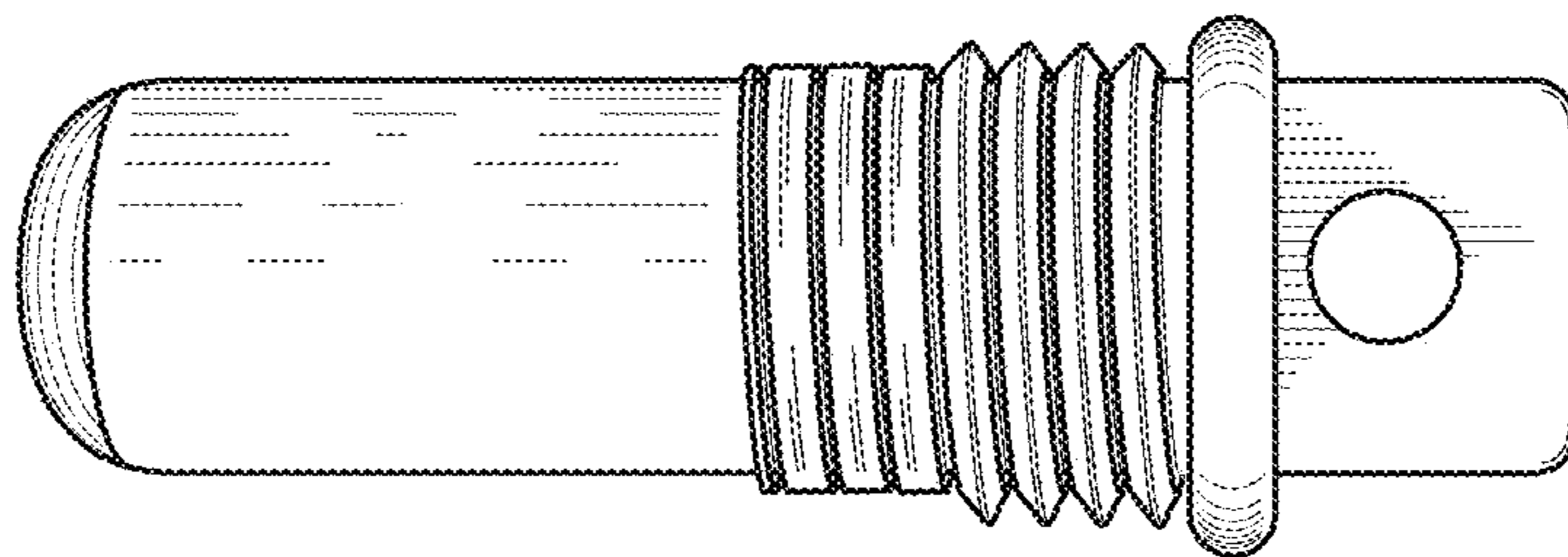


FIG. 10

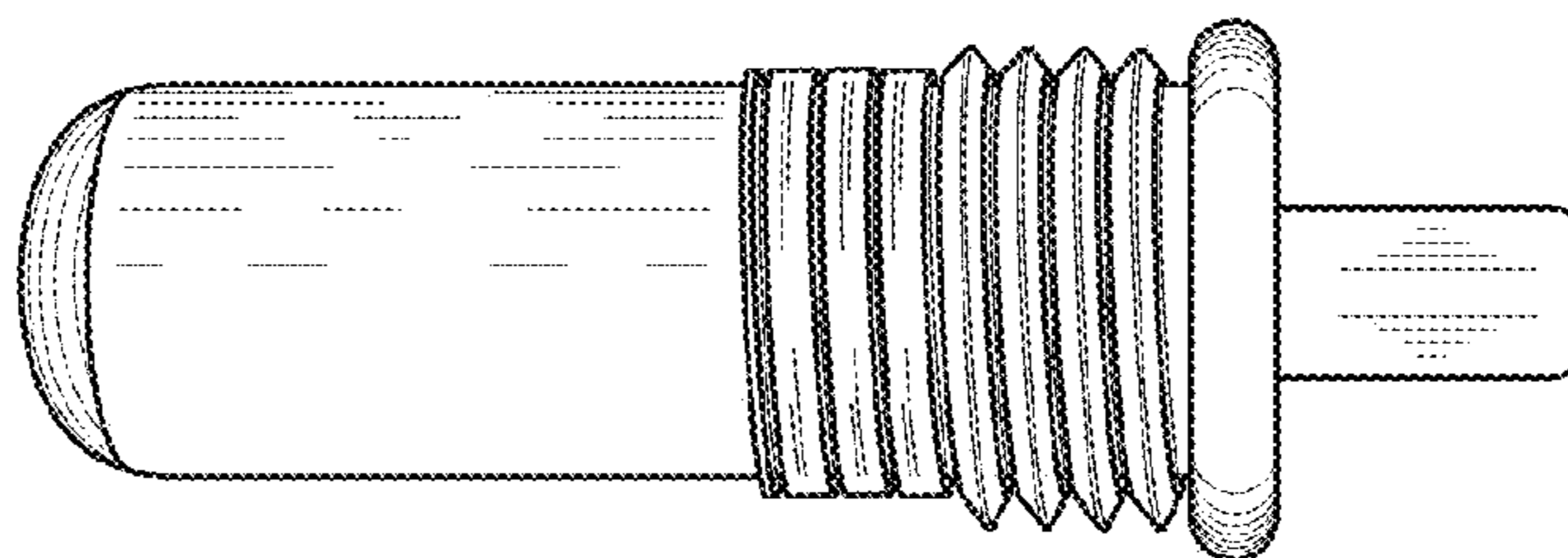


FIG. 11

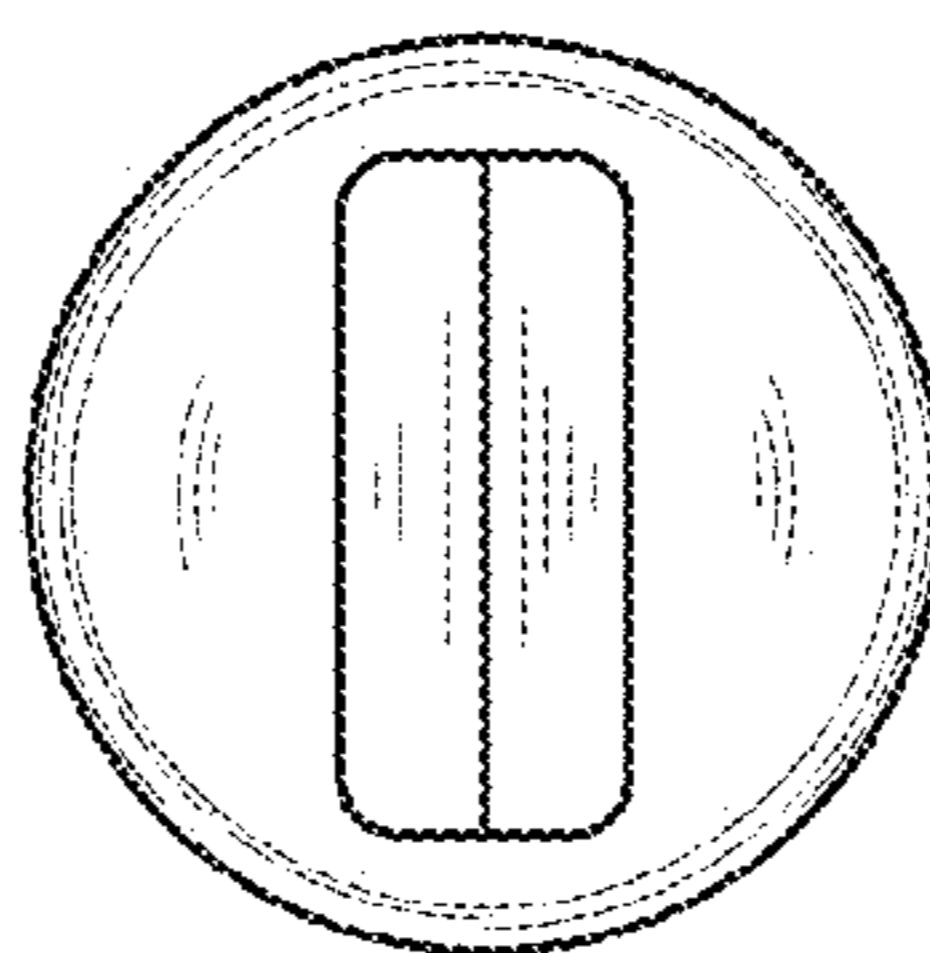


FIG. 12

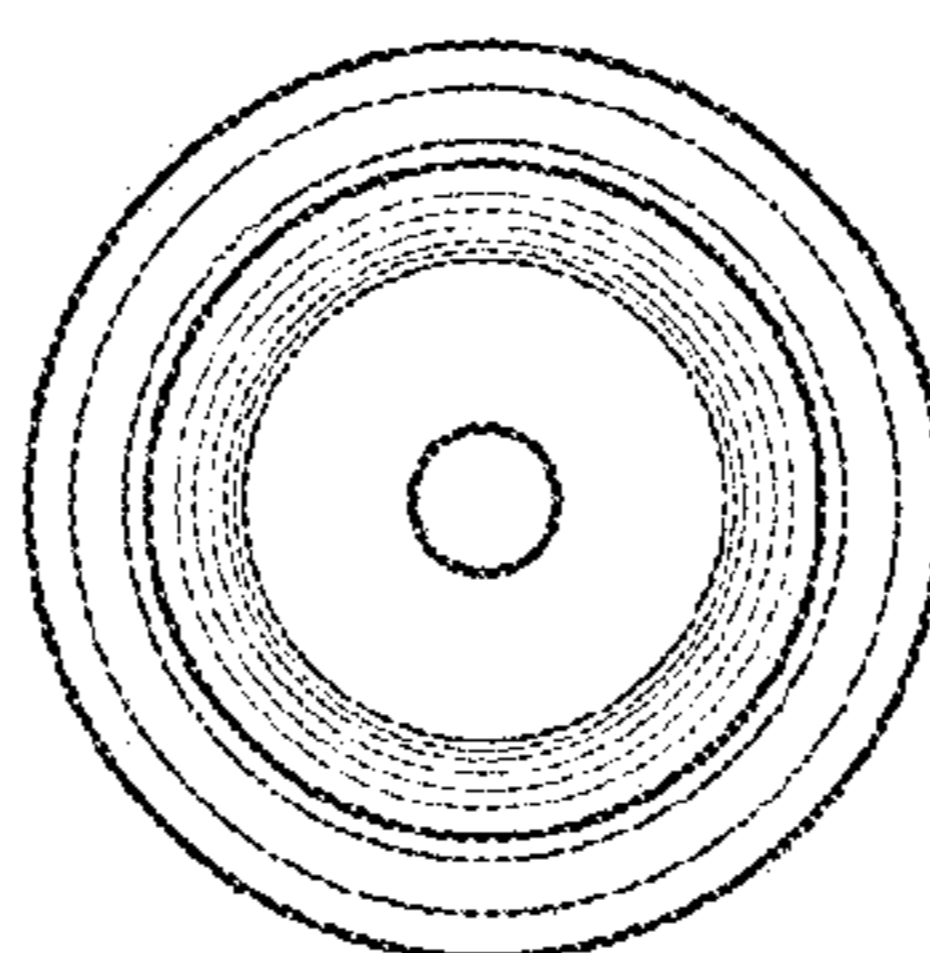


FIG. 13

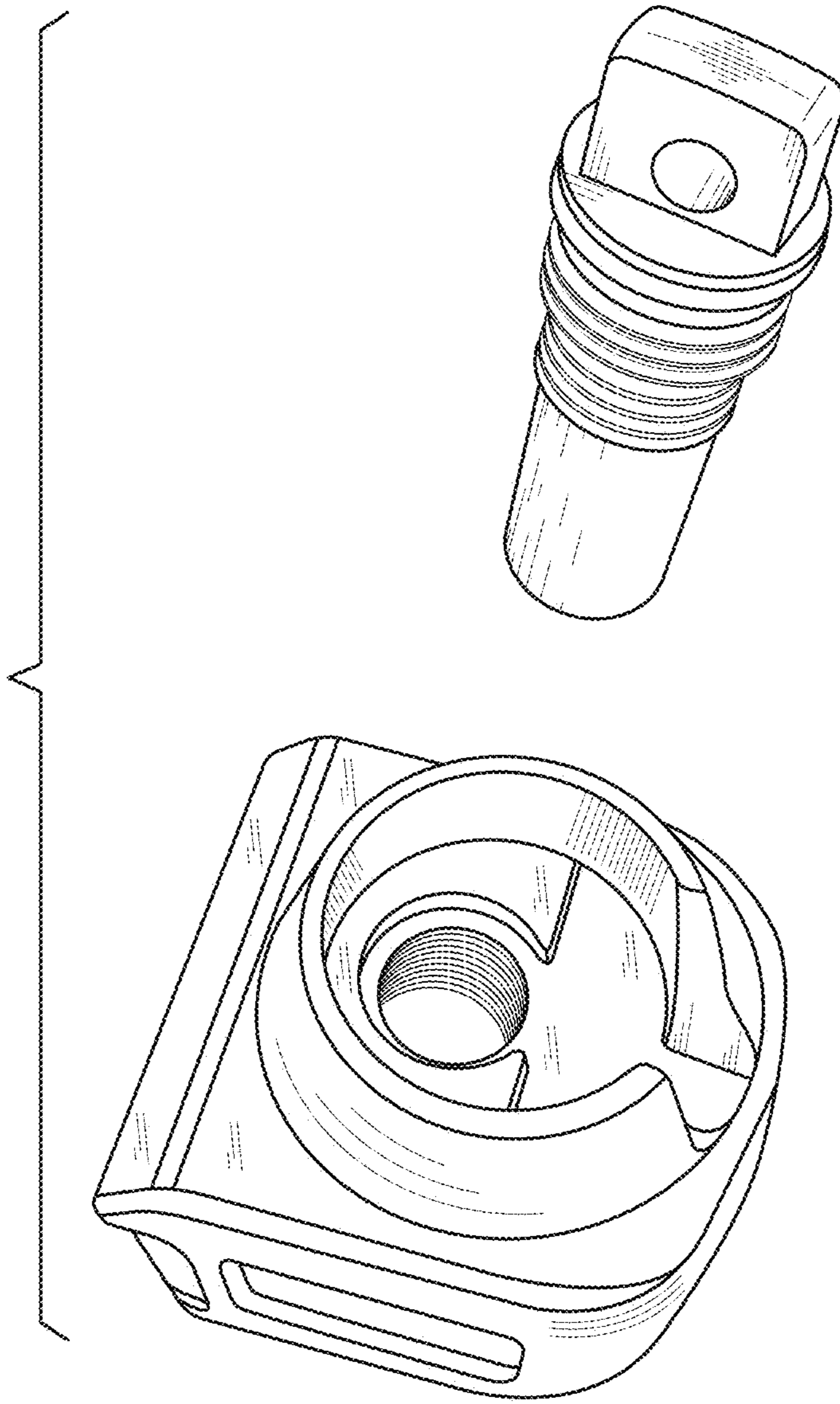


FIG. 14