

US00D690239S

(12) **United States Design Patent**  
**Uimonen**

(10) **Patent No.:** **US D690,239 S**

(45) **Date of Patent:** **\*\* \*Sep. 24, 2013**

(54) **BICYCLE FRAME**

(75) Inventor: **Joakim Uimonen**, Xinbei (TW)

(73) Assignee: **Mobility Holdings, Limited**, San Chung, New Taipei (TW)

(\* ) Notice: This patent is subject to a terminal disclaimer.

(\*\*) Term: **14 Years**

(21) Appl. No.: **29/423,464**

(22) Filed: **May 31, 2012**

(30) **Foreign Application Priority Data**

May 3, 2012 (EM) ..... 002003111-0003

(51) **LOC (9) Cl.** ..... **12-11**

(52) **U.S. Cl.**  
USPC ..... **D12/111**

(58) **Field of Classification Search**  
USPC ..... D12/111, 117, 119; 280/274-280,  
280/281.1, 288.1-288.3  
See application file for complete search history.

(56) **References Cited**

**U.S. PATENT DOCUMENTS**

D235,249 S \* 6/1975 Kitsuda ..... D12/111  
4,541,648 A \* 9/1985 Takamiya et al. .... 280/281.1

D622,638 S \* 8/2010 Uimonen ..... D12/111  
D632,615 S \* 2/2011 Uimonen ..... D12/111  
D666,946 S \* 9/2012 Uimonen ..... D12/111

\* cited by examiner

*Primary Examiner* — Susan M Lee

*Assistant Examiner* — Linda Brooks

(74) *Attorney, Agent, or Firm* — Paradise Patent Services, Inc.; George E. Darby

(57) **CLAIM**

The ornamental design for a bicycle frame, as shown and described.

**DESCRIPTION**

FIG. 1 is a perspective view of a bicycle frame showing my new design;

FIG. 2 is a view from one side of the bicycle frame shown in FIG. 1;

FIG. 3 is a view from the opposite side of the bicycle frame shown in FIG. 1;

FIG. 4 is a front view of the bicycle frame shown in FIG. 1;

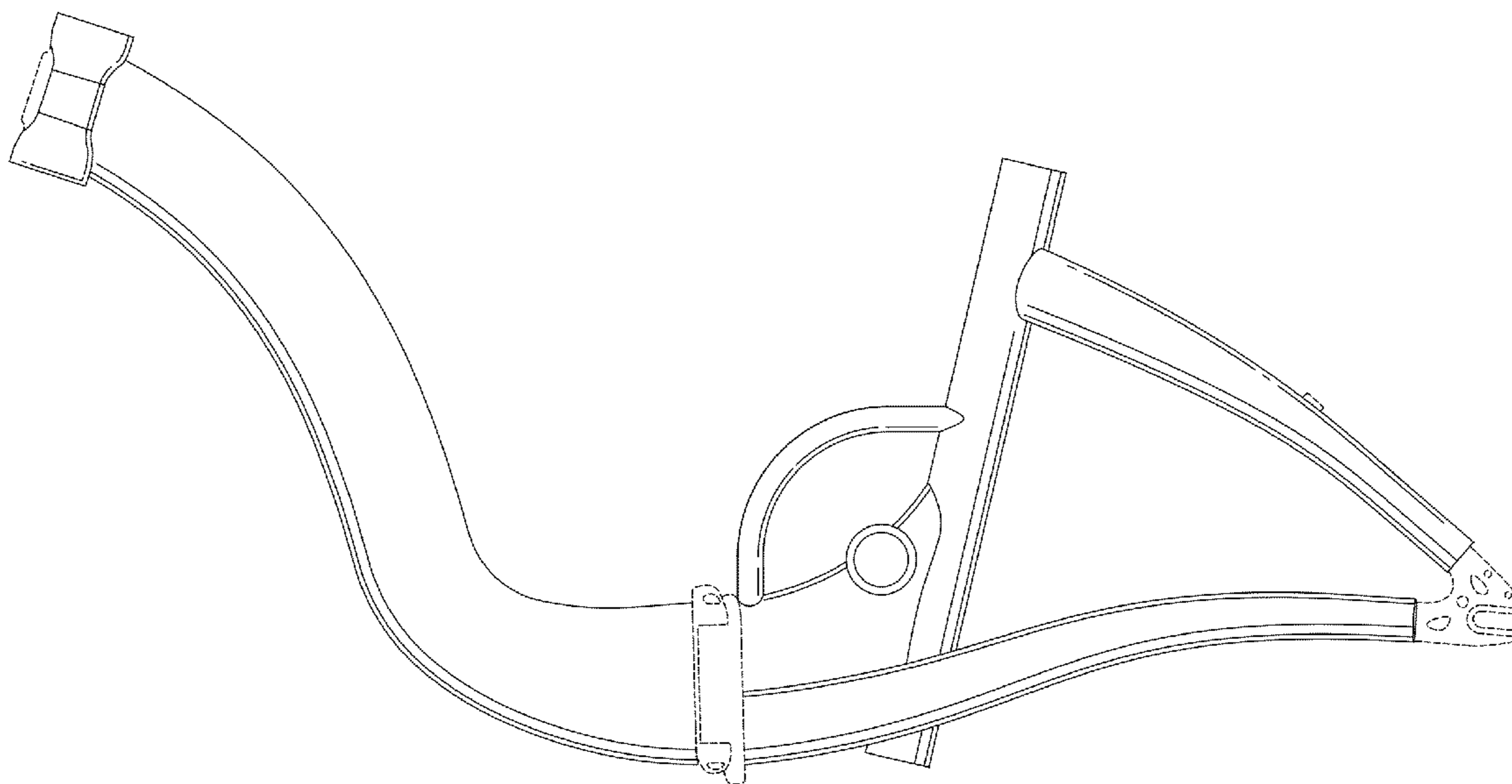
FIG. 5 is a rear view of the bicycle frame shown in FIG. 1;

FIG. 6 is a bottom plan view of the bicycle frame shown in FIG. 1; and,

FIG. 7 is a top plan view of the bicycle frame shown in FIG. 1.

The hinge, two brake bosses, two rear dropouts, head tube bracket, and an upper seat stay bracket are shown in broken lines for illustrative purposes only and form no part of the claimed design.

**1 Claim, 7 Drawing Sheets**



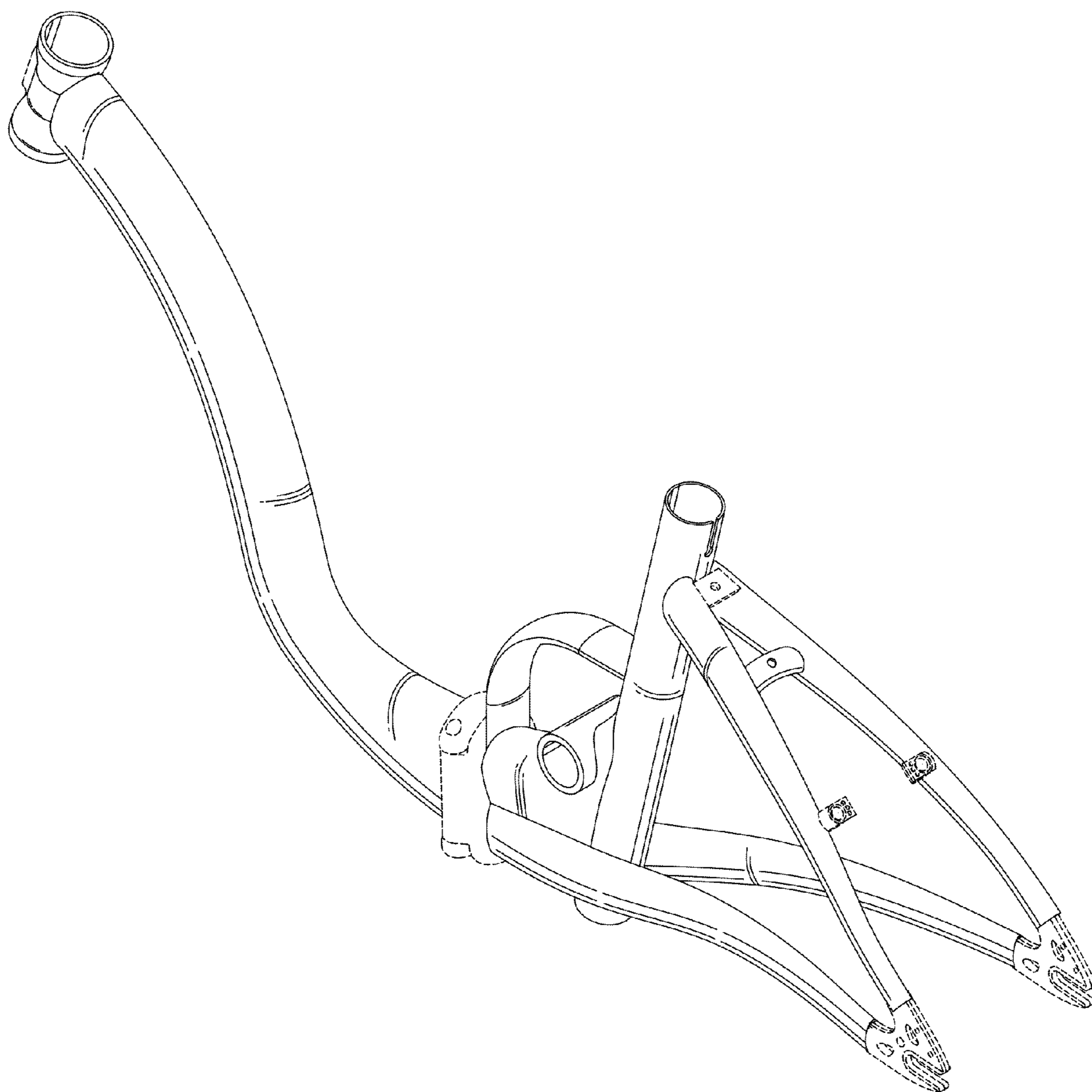


FIG. 1

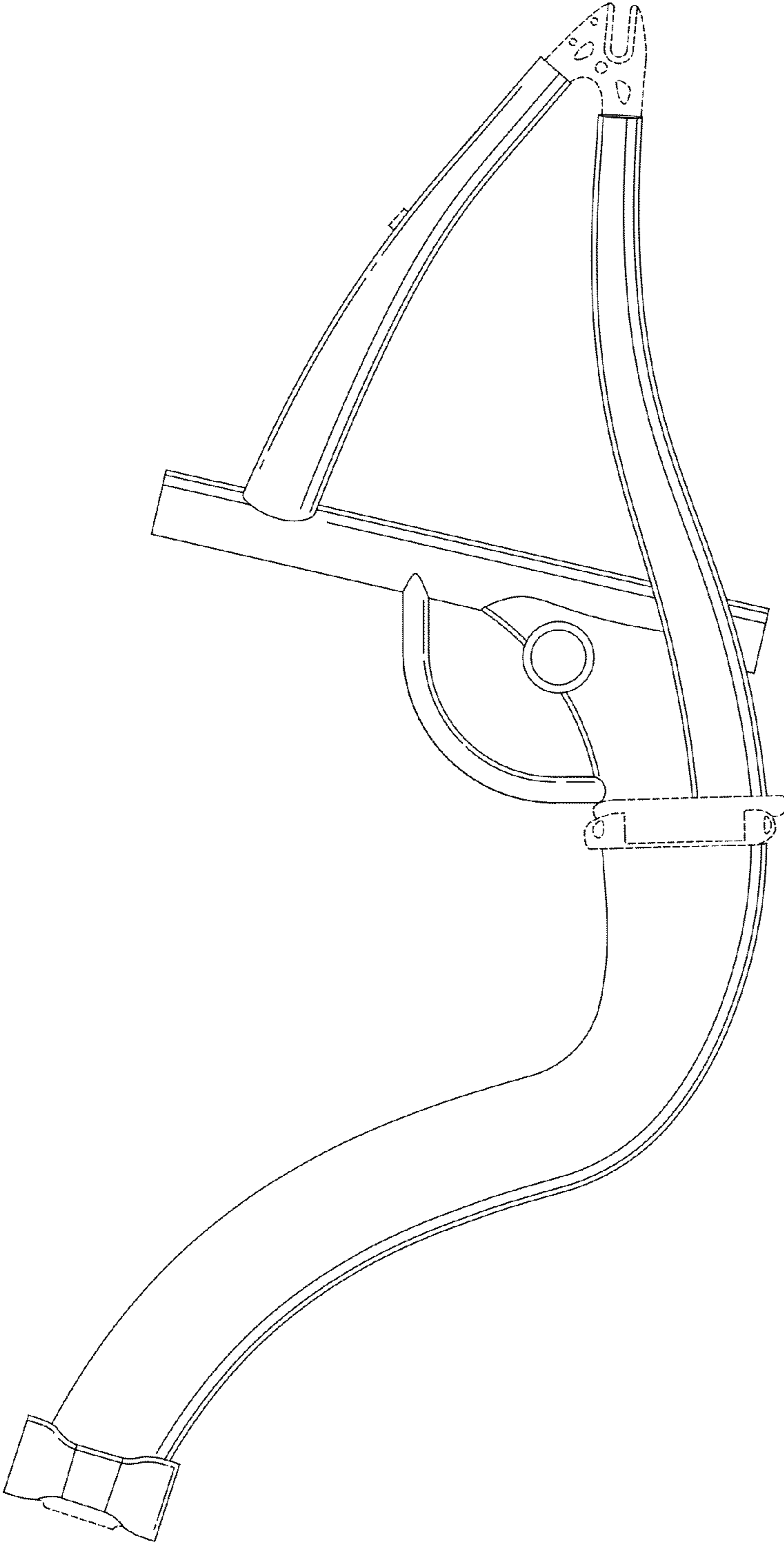


FIG. 2

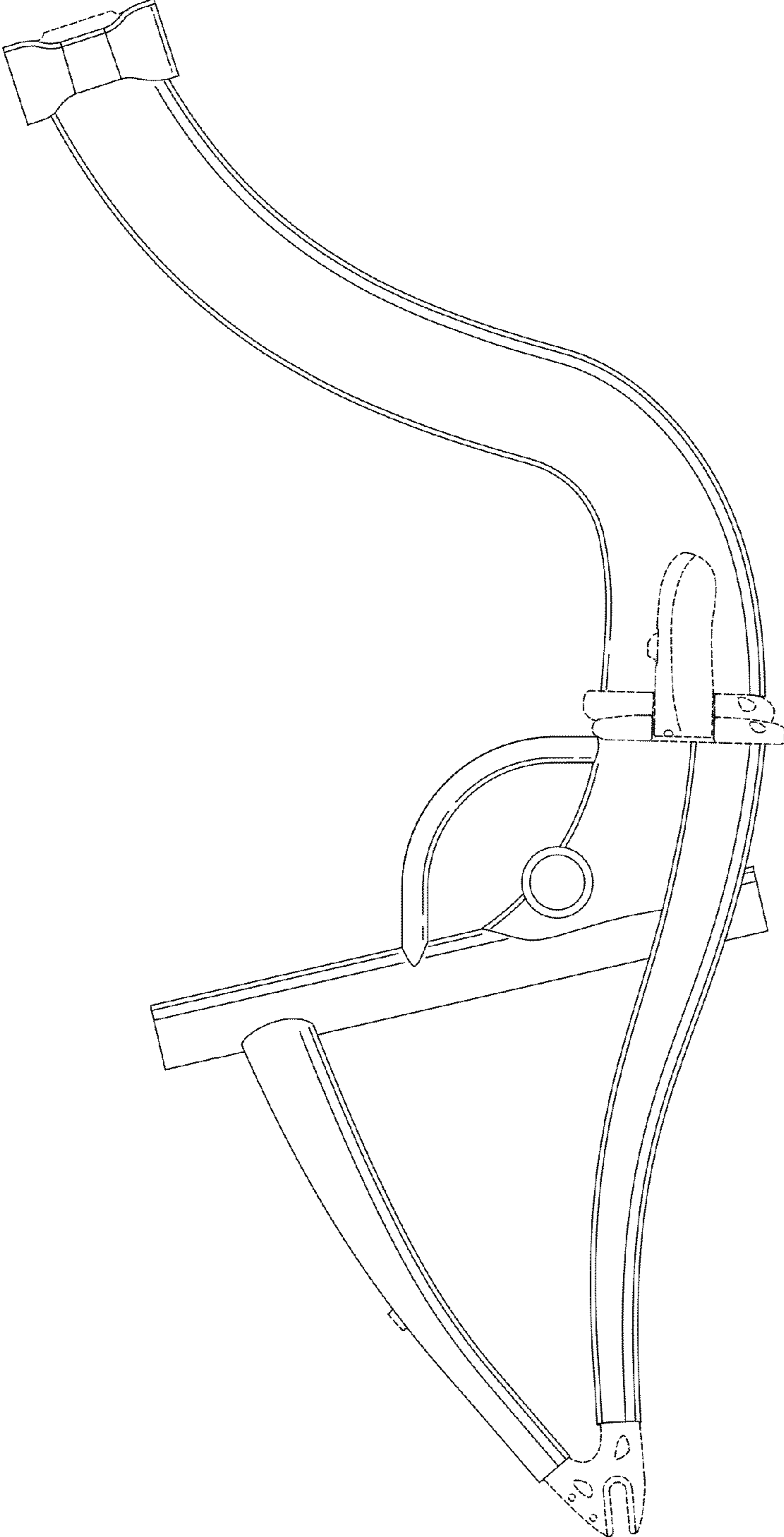


FIG. 3

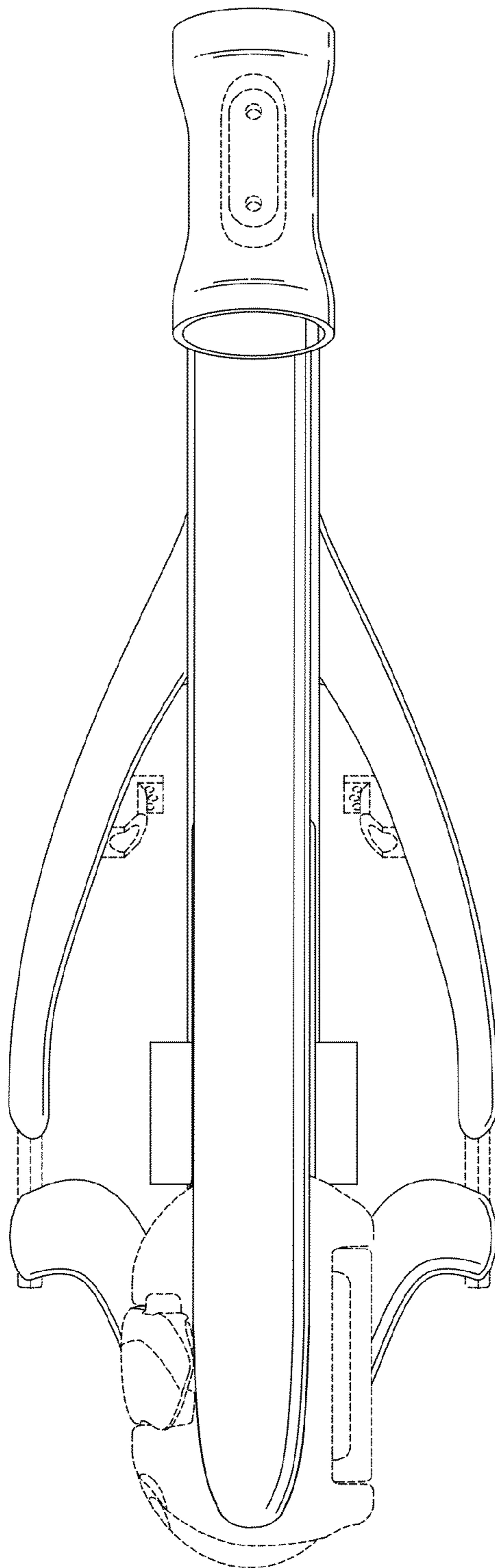


FIG. 4

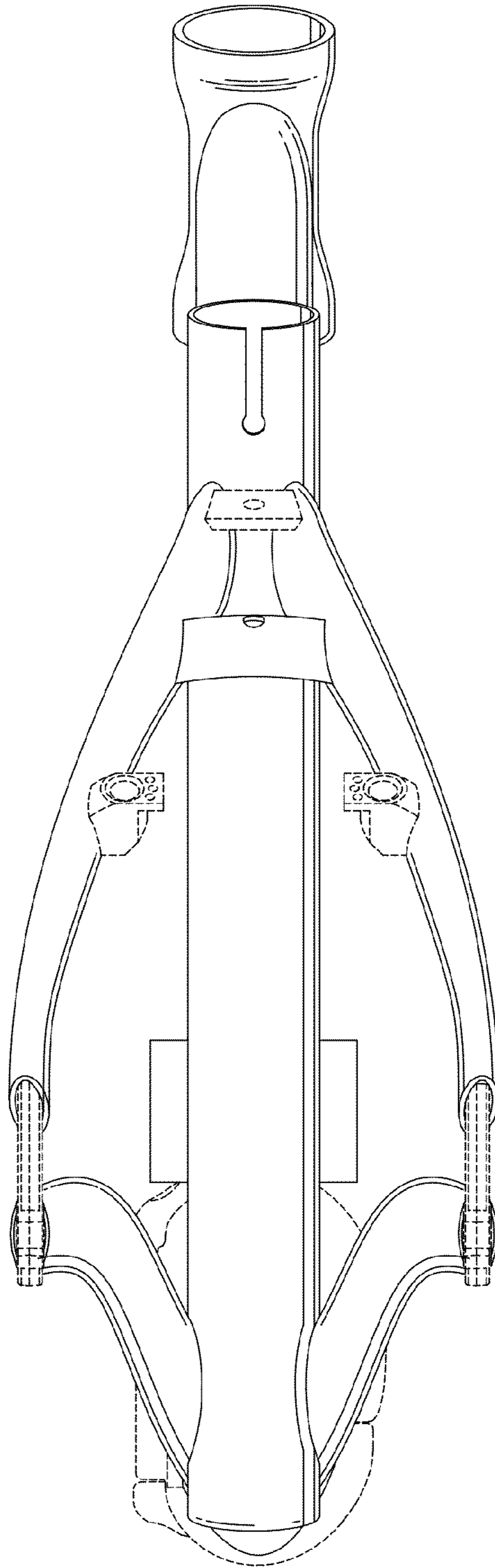


FIG. 5

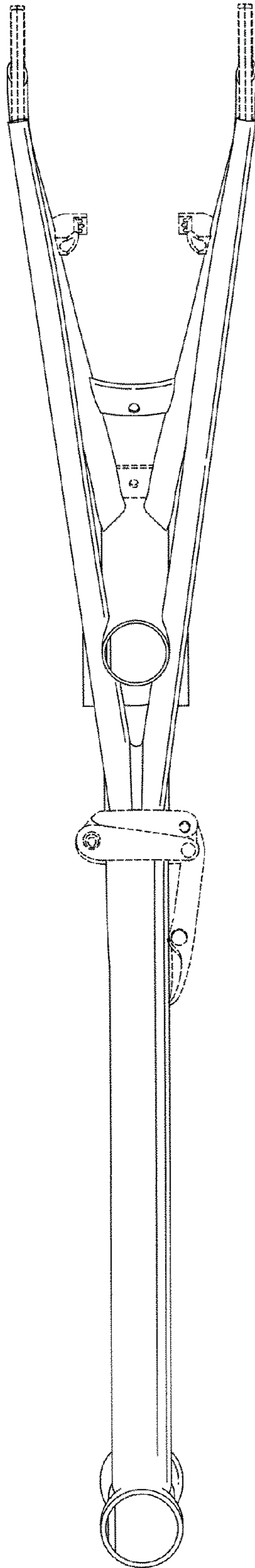


FIG. 6

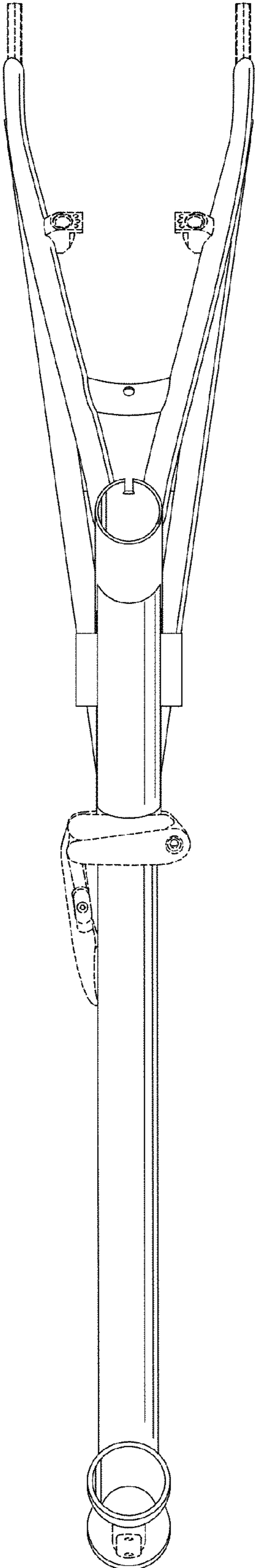


FIG. 7