



US00D690238S

(12) **United States Design Patent**
Uimonen

(10) **Patent No.:** **US D690,238 S**

(45) **Date of Patent:** **** Sep. 24, 2013**

(54) **BICYCLE FRAME**

(75) Inventor: **Joakim Uimonen**, Xinbei (TW)

(73) Assignee: **Mobility Holdings, Limited**, San Chung, New Taipei (TW)

(**) Term: **14 Years**

(21) Appl. No.: **29/423,463**

(22) Filed: **May 31, 2012**

(30) **Foreign Application Priority Data**

May 3, 2012 (EM) 002003111-0002

(51) **LOC (9) Cl.** **12-11**

(52) **U.S. Cl.**
USPC **D12/111**

(58) **Field of Classification Search**
USPC D12/111, 117, 119; 280/274-280,
280/281.1, 288.1-288.3

See application file for complete search history.

(56) **References Cited**

U.S. PATENT DOCUMENTS

D235,249 S * 6/1975 Kitsuda D12/111
4,541,648 A * 9/1985 Takamiya et al. 280/281.1
D610,047 S * 2/2010 Uimonen D12/111

* cited by examiner

Primary Examiner — Susan M Lee

Assistant Examiner — Linda Brooks

(74) *Attorney, Agent, or Firm* — Paradise Patent Services, Inc.; George E. Darby

(57) **CLAIM**

The ornamental design for a bicycle frame, as shown and described.

DESCRIPTION

FIG. 1 is a perspective view of a bicycle frame showing my new design;

FIG. 2 is a view from one side of the bicycle frame shown in FIG. 1;

FIG. 3 is a view from the opposite side of the bicycle frame shown in FIG. 1;

FIG. 4 is a front view of the bicycle frame shown in FIG. 1;

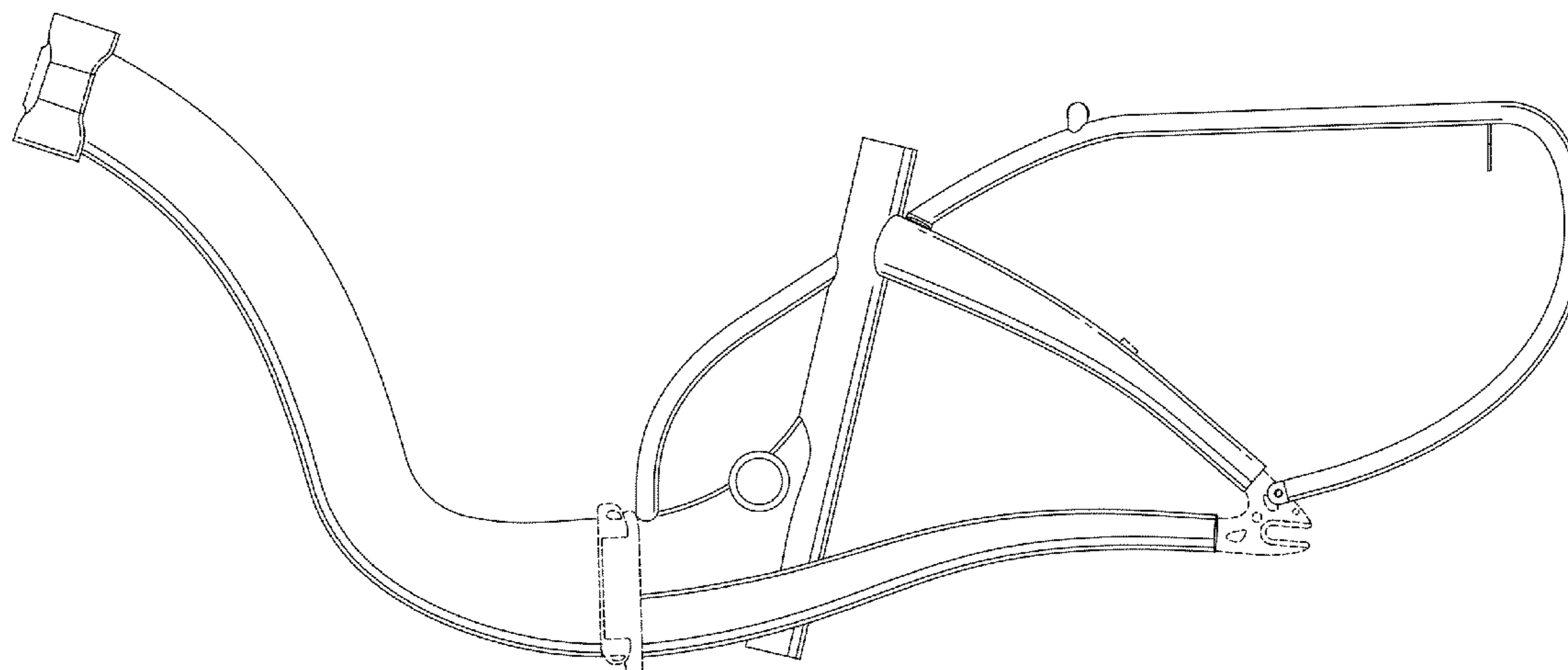
FIG. 5 is a rear view of the bicycle frame shown in FIG. 1;

FIG. 6 is a bottom plan view of the bicycle frame shown in FIG. 1; and,

FIG. 7 is a top plan view of the bicycle frame shown in FIG. 1.

The hinge, two brake bosses, two rear dropouts, head tube bracket, and an upper seat stay bracket are shown in broken lines for illustrative purposes only and form no part of the claimed design.

1 Claim, 7 Drawing Sheets



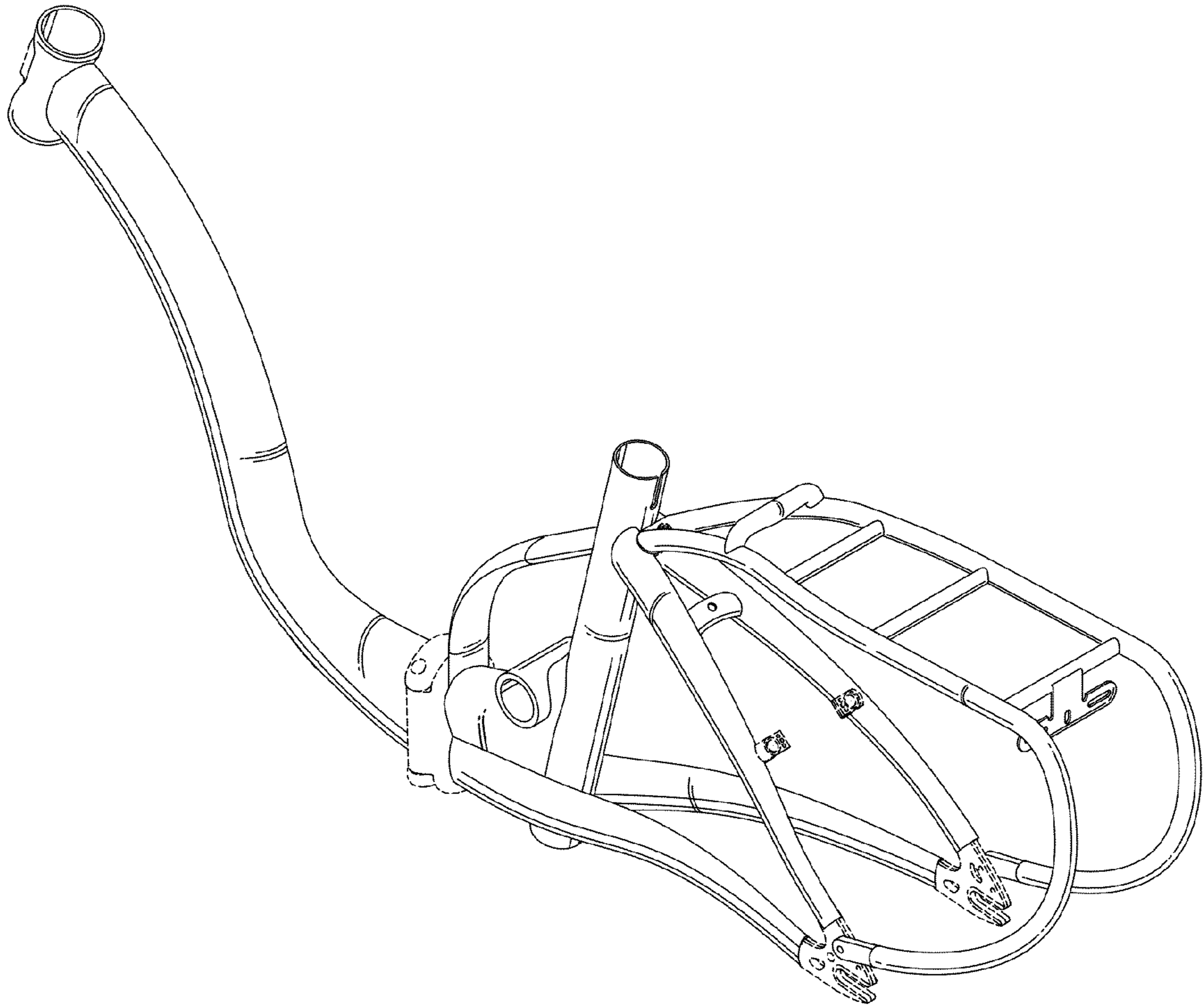


FIG. 1

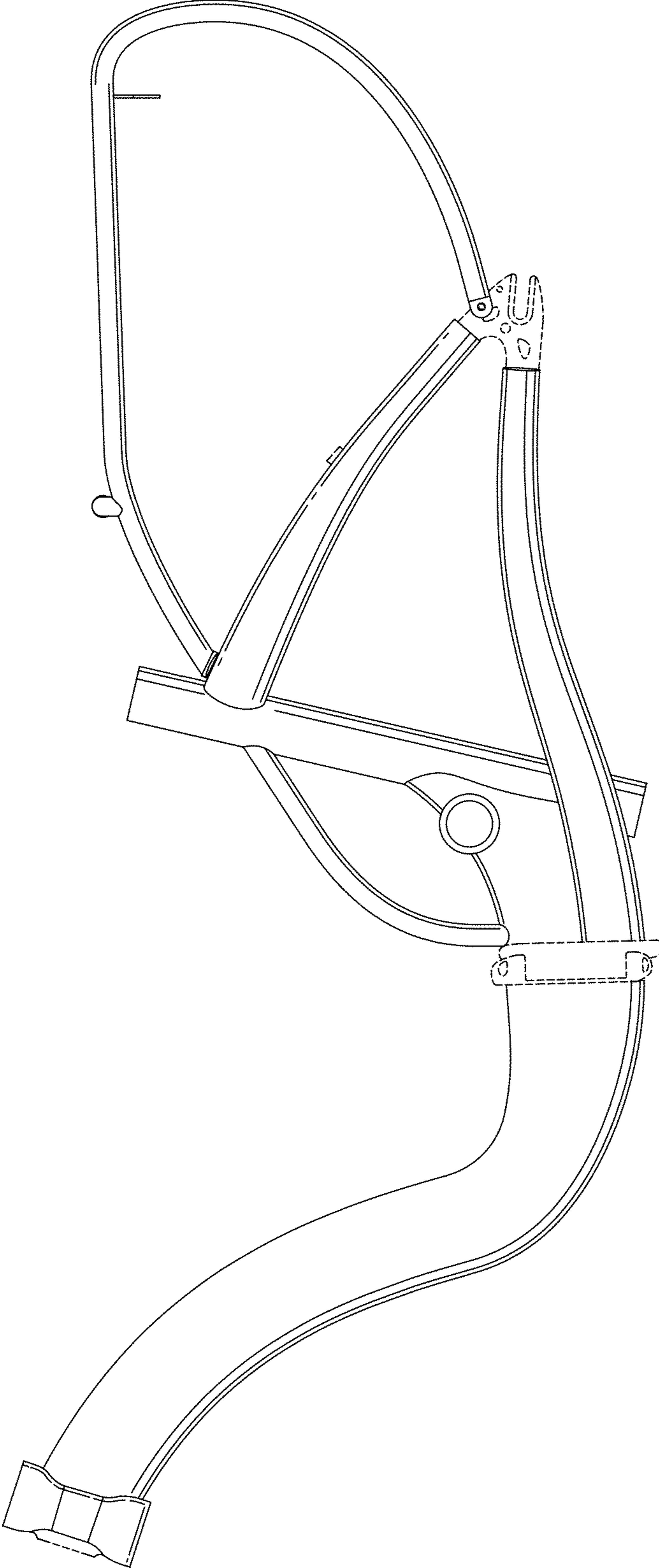


FIG. 2

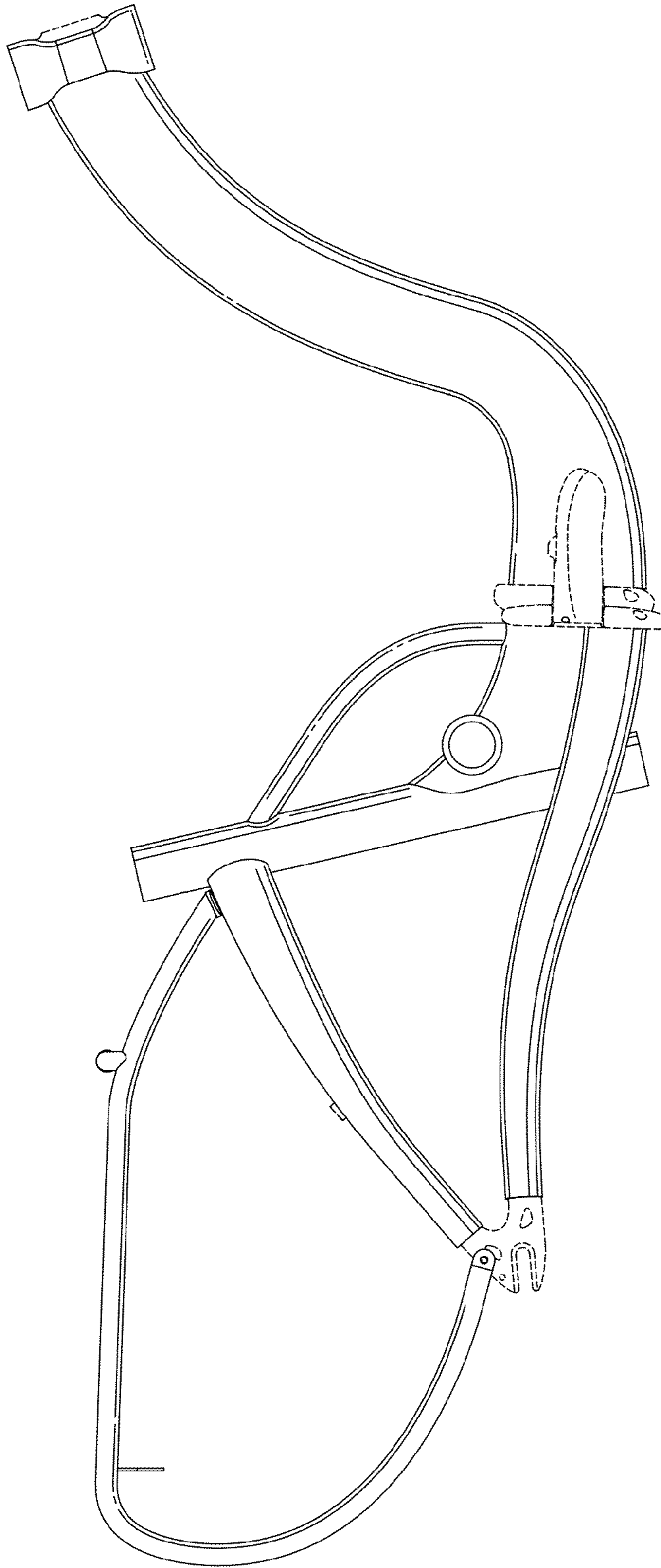


FIG. 3

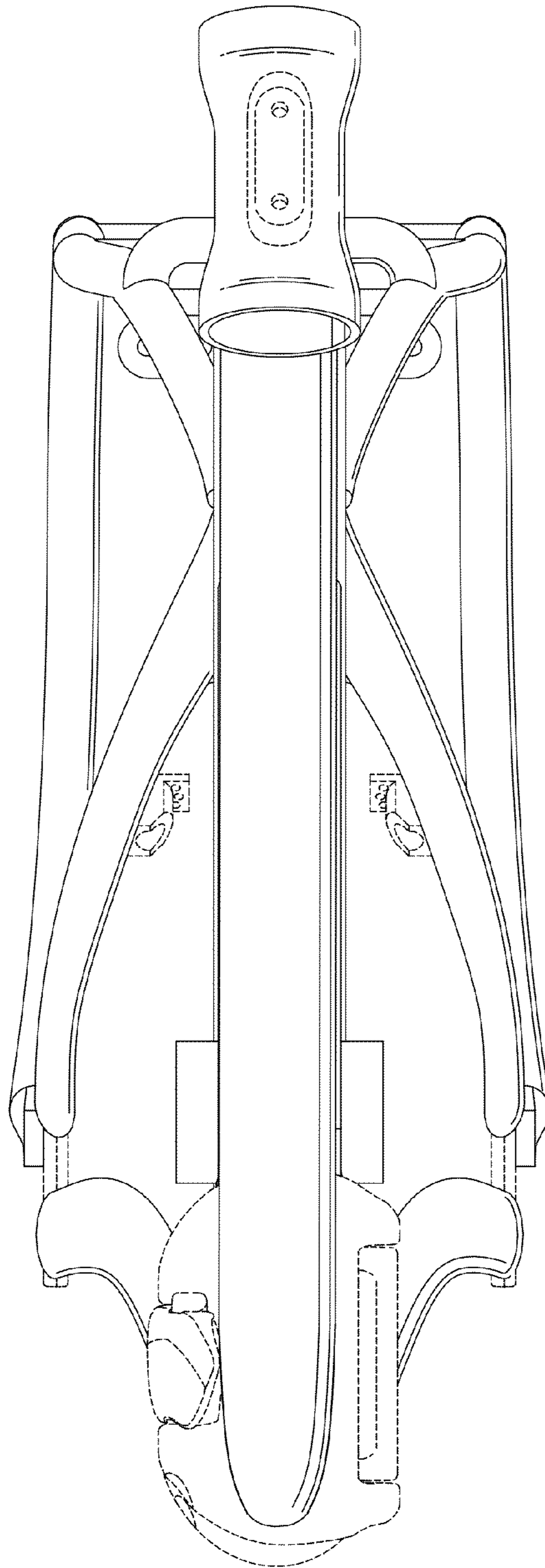


FIG. 4

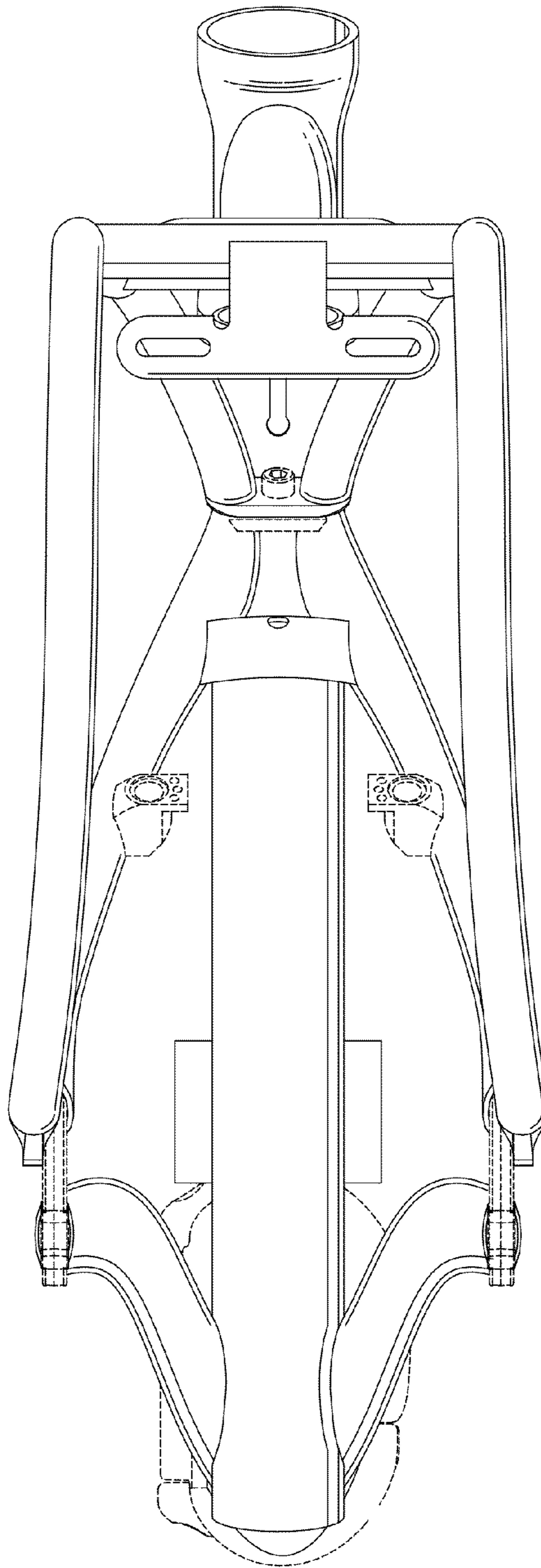


FIG. 5

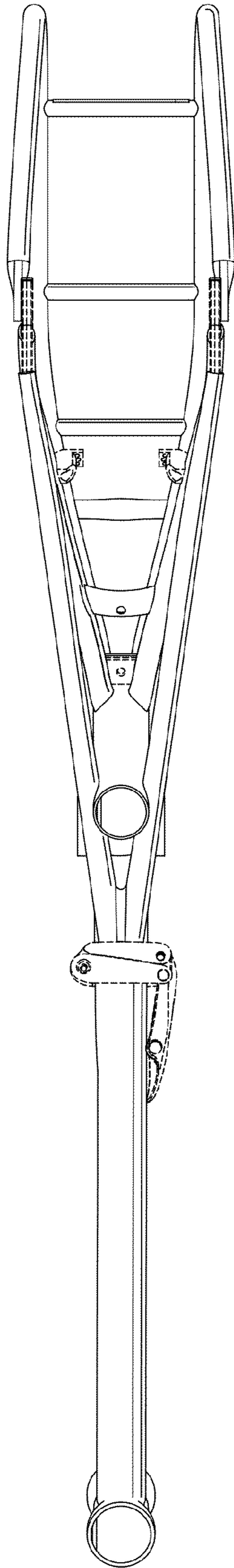


FIG. 6

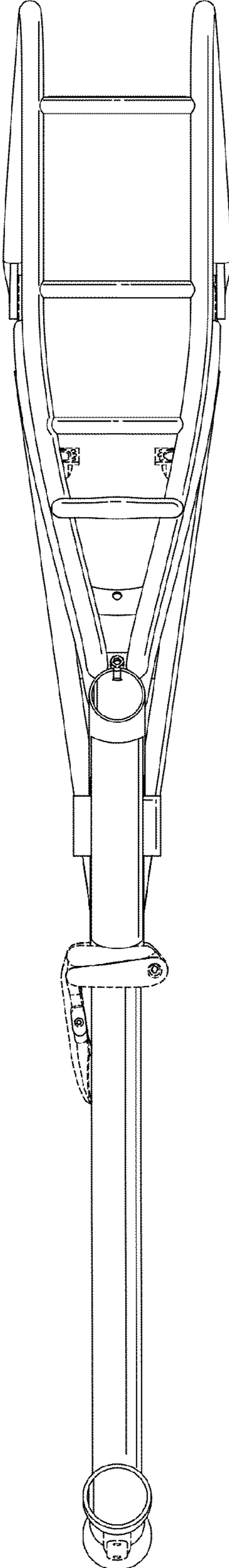


FIG. 7