

US00D690237S

(12) **United States Design Patent**
Carducci et al.

(10) **Patent No.:** **US D690,237 S**

(45) **Date of Patent:** **** Sep. 24, 2013**

(54) **MOTORCYCLE**

D531,090 S * 10/2006 Iimura D12/110
D559,738 S * 1/2008 Takigawa et al. D12/110
D582,318 S * 12/2008 Kishi et al. D12/110

(71) Applicant: **Carducci Dual Sport, LLC**, Sunnyvale,
CA (US)

(72) Inventors: **James Carducci**, Sunnyvale, CA (US);
Sherry Cordova, Sunnyvale, CA (US)

(73) Assignee: **Carducci Dual Sport, LLC**, Sunnyvale,
CA (US)

(**) Term: **14 Years**

(21) Appl. No.: **29/450,222**

(22) Filed: **Mar. 15, 2013**

(51) **LOC (9) Cl.** **12-11**

(52) **U.S. Cl.**
USPC **D12/110**

(58) **Field of Classification Search**
USPC D12/110, 111; 180/219, 220, 225,
180/229

See application file for complete search history.

(56) **References Cited**

U.S. PATENT DOCUMENTS

D268,999 S * 5/1983 Nakano et al. D12/110
D288,796 S * 3/1987 Nakano et al. D12/110
D516,468 S * 3/2006 Kuboshima et al. D12/110

OTHER PUBLICATIONS

Cycle World, Feb. 2012. Motorcycles on pp. 36 and 37, and the
motorcycle at the top of p. 60.*

* cited by examiner

Primary Examiner — Susan M Lee

Assistant Examiner — Linda Brooks

(74) *Attorney, Agent, or Firm* — Patterson & Sheridan, LLP

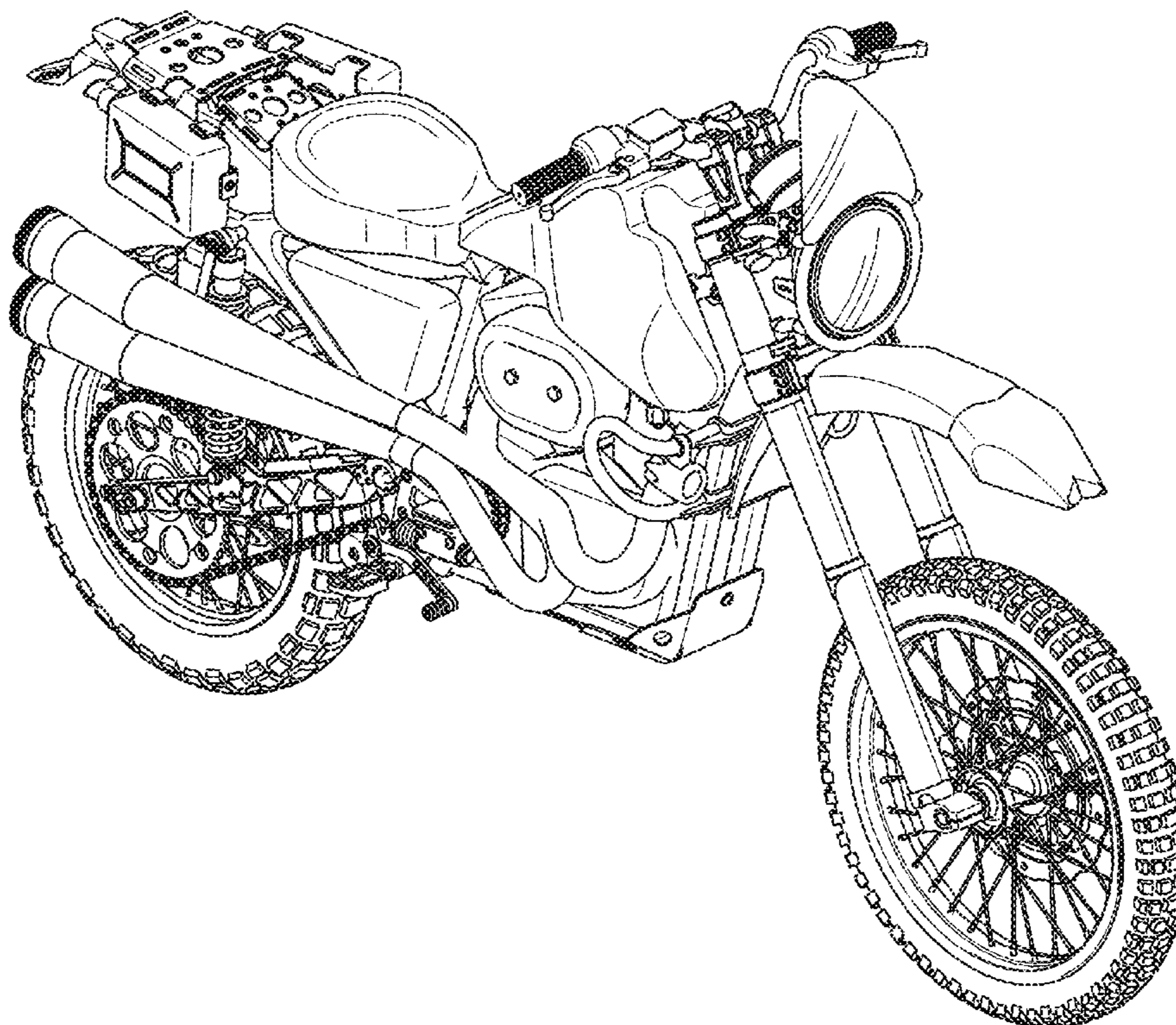
(57) **CLAIM**

The ornamental design for a motorcycle, as shown and
described.

DESCRIPTION

FIG. 1 is a perspective view of a motorcycle;
FIG. 2 is a rear perspective view of the motorcycle of FIG. 1;
FIG. 3 is a right side view of the motorcycle of FIG. 1;
FIG. 4 is a left side view of the motorcycle of FIG. 1;
FIG. 5 is a front view of the motorcycle of FIG. 1;
FIG. 6 is a rear view of the motorcycle of FIG. 1;
FIG. 7 is a top view of the motorcycle of FIG. 1; and,
FIG. 8 is a bottom view of the motorcycle of FIG. 1.

1 Claim, 7 Drawing Sheets



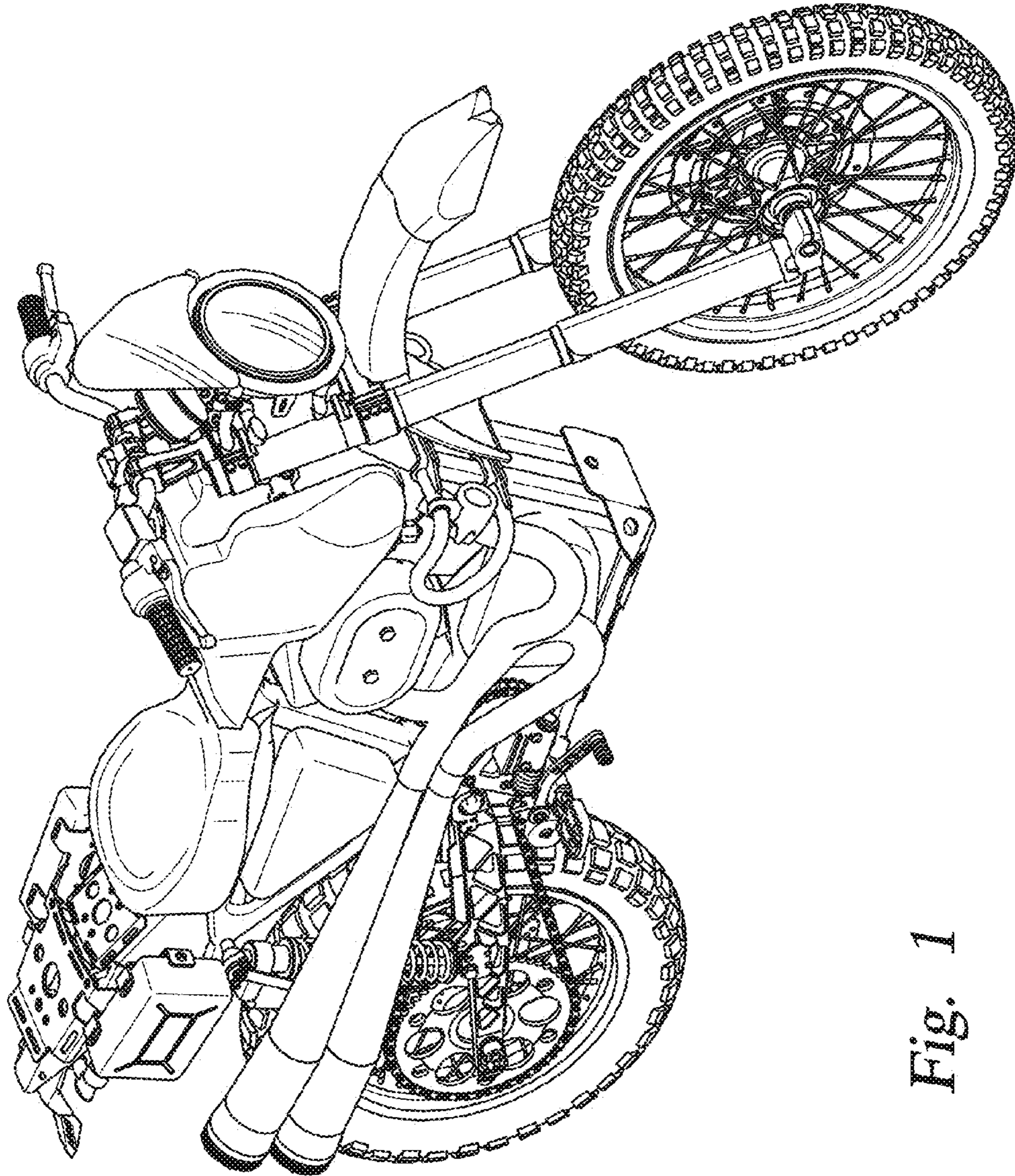


Fig. 1

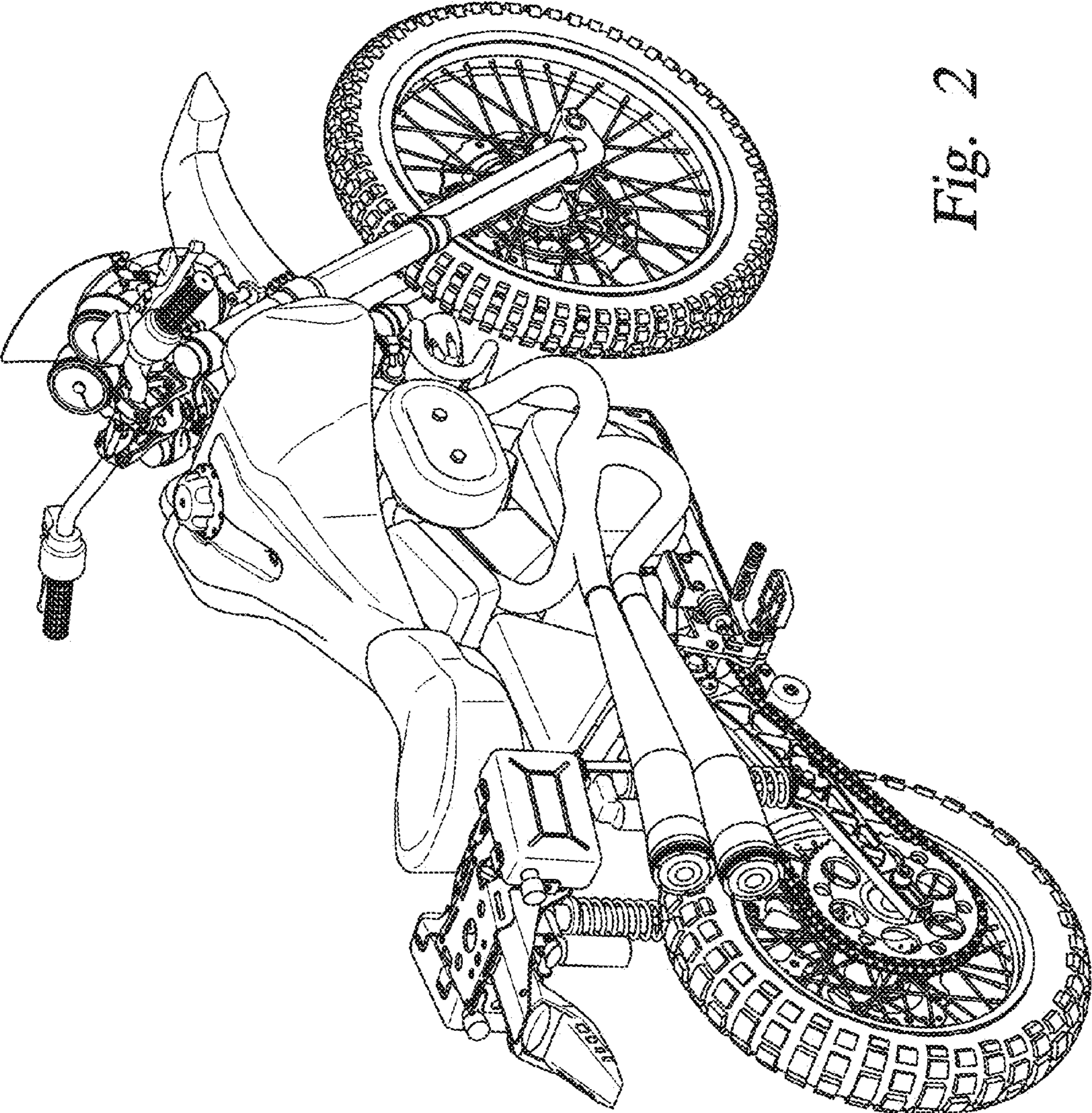


Fig. 2

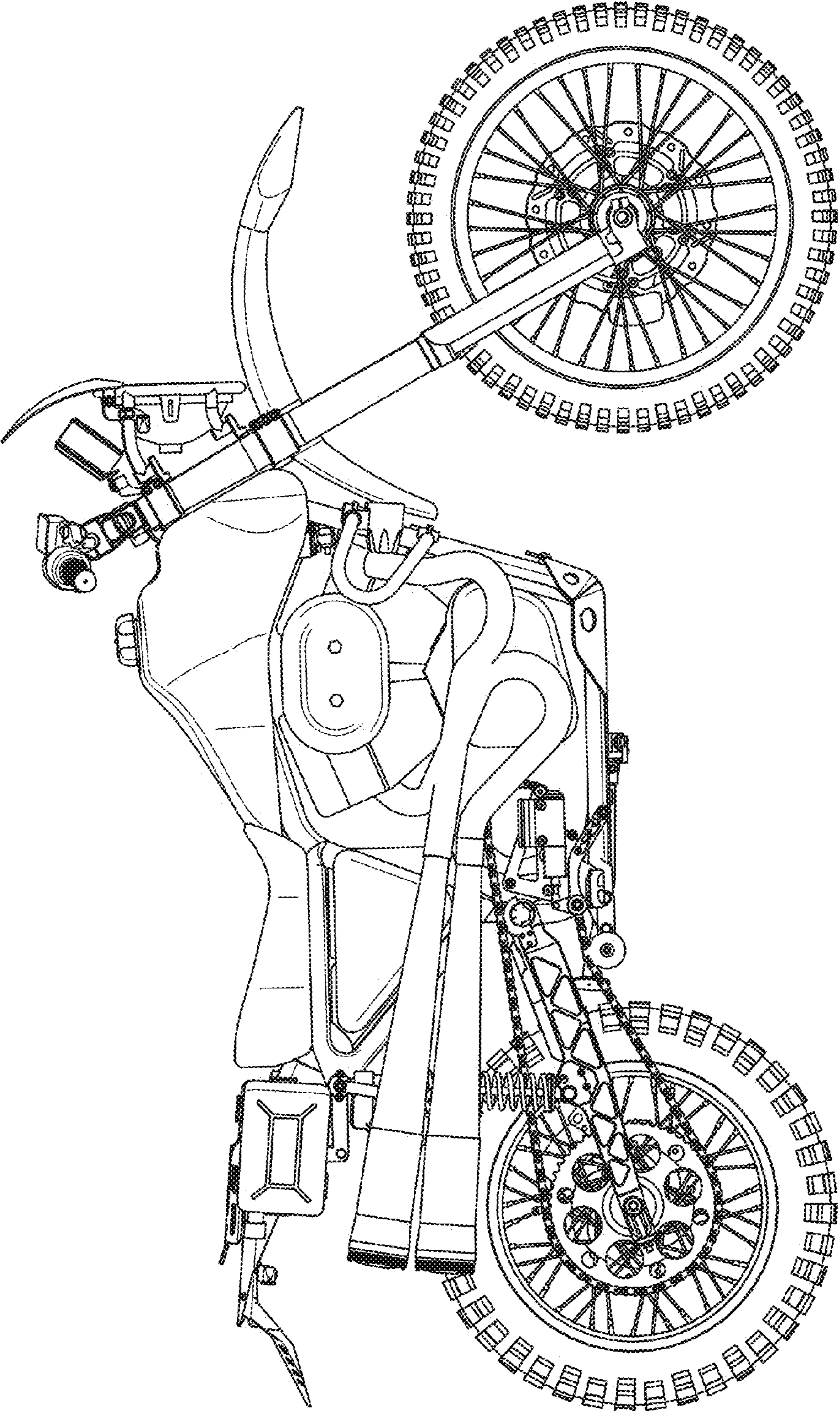


Fig. 3

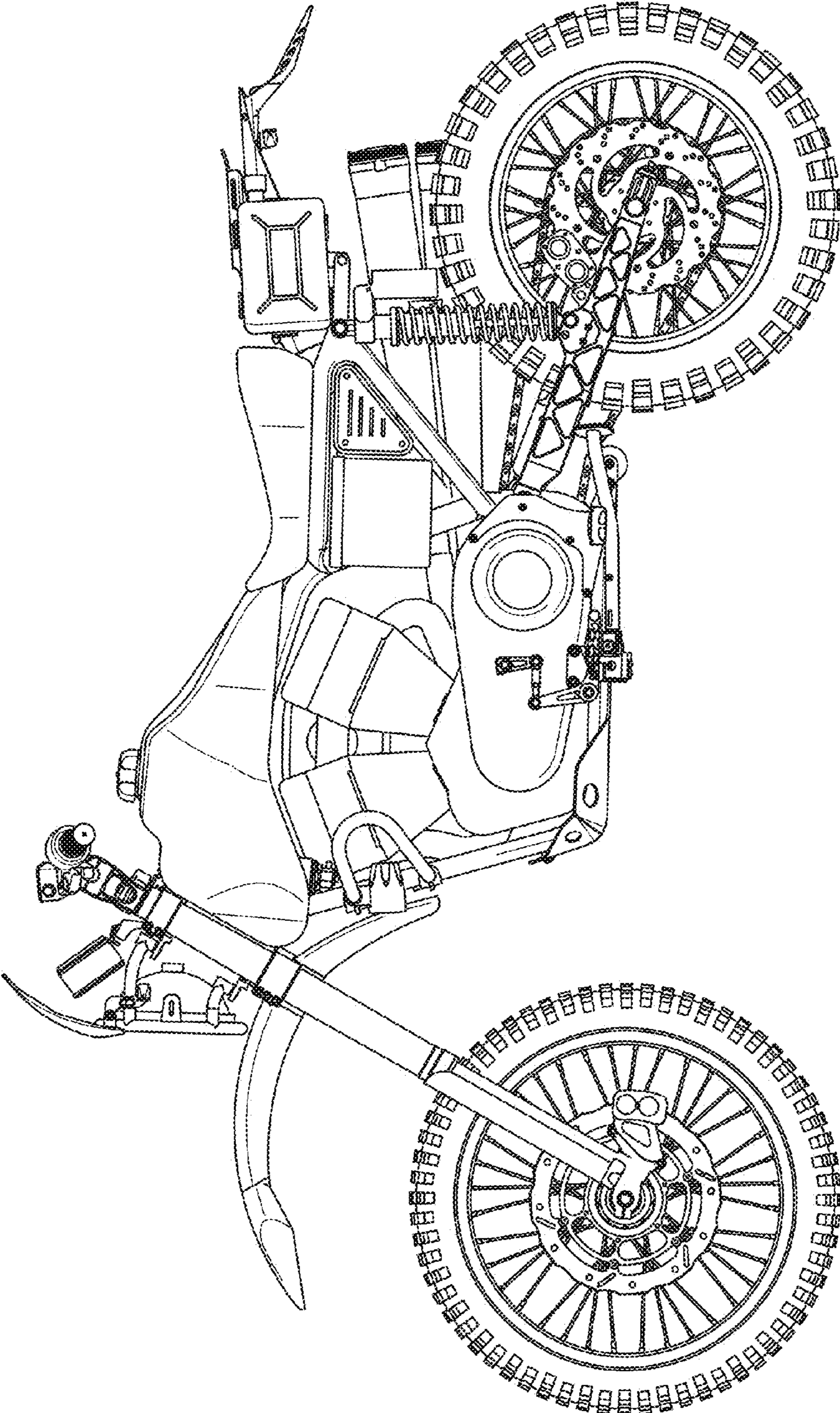


Fig. 4

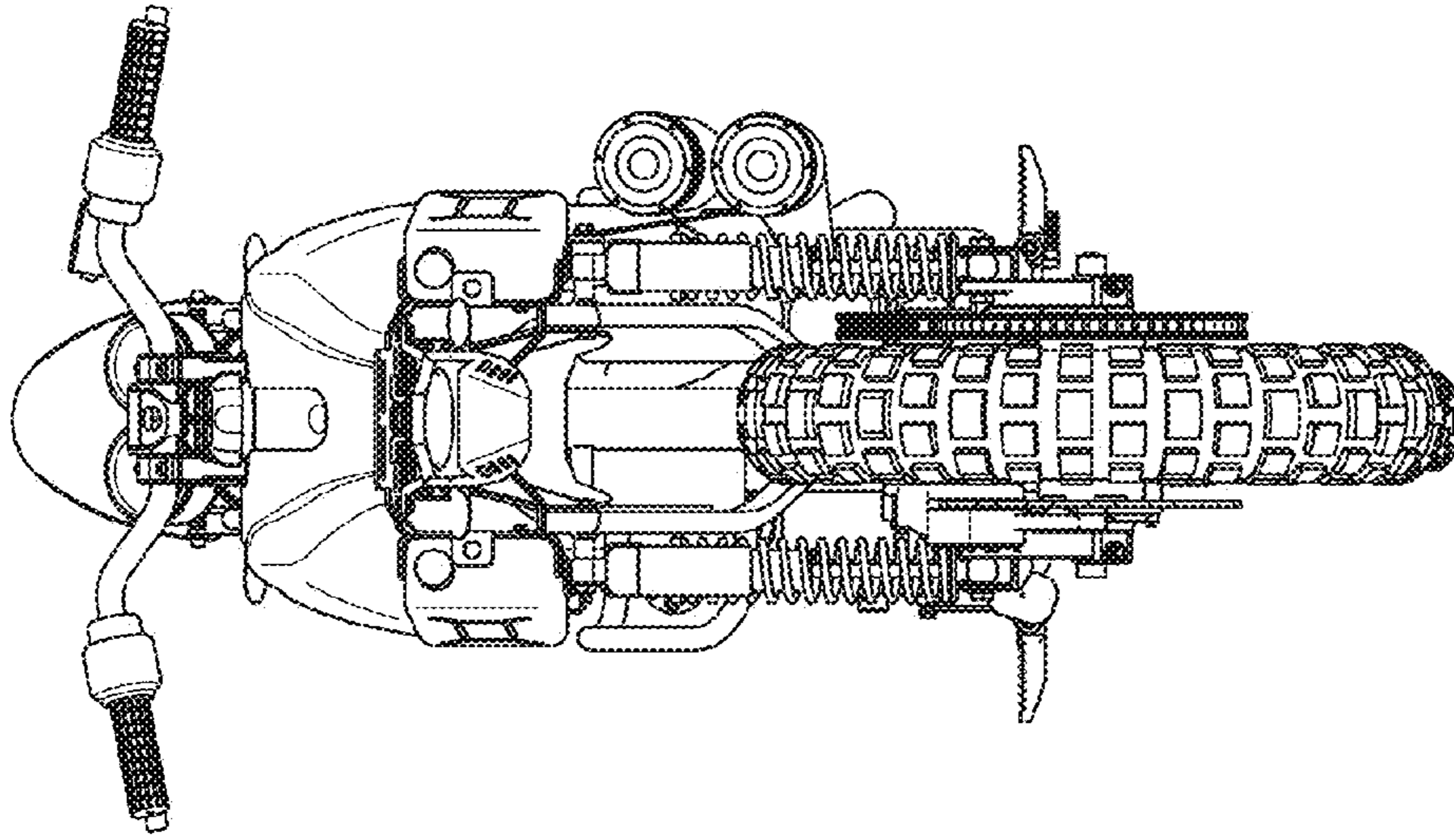


Fig. 5

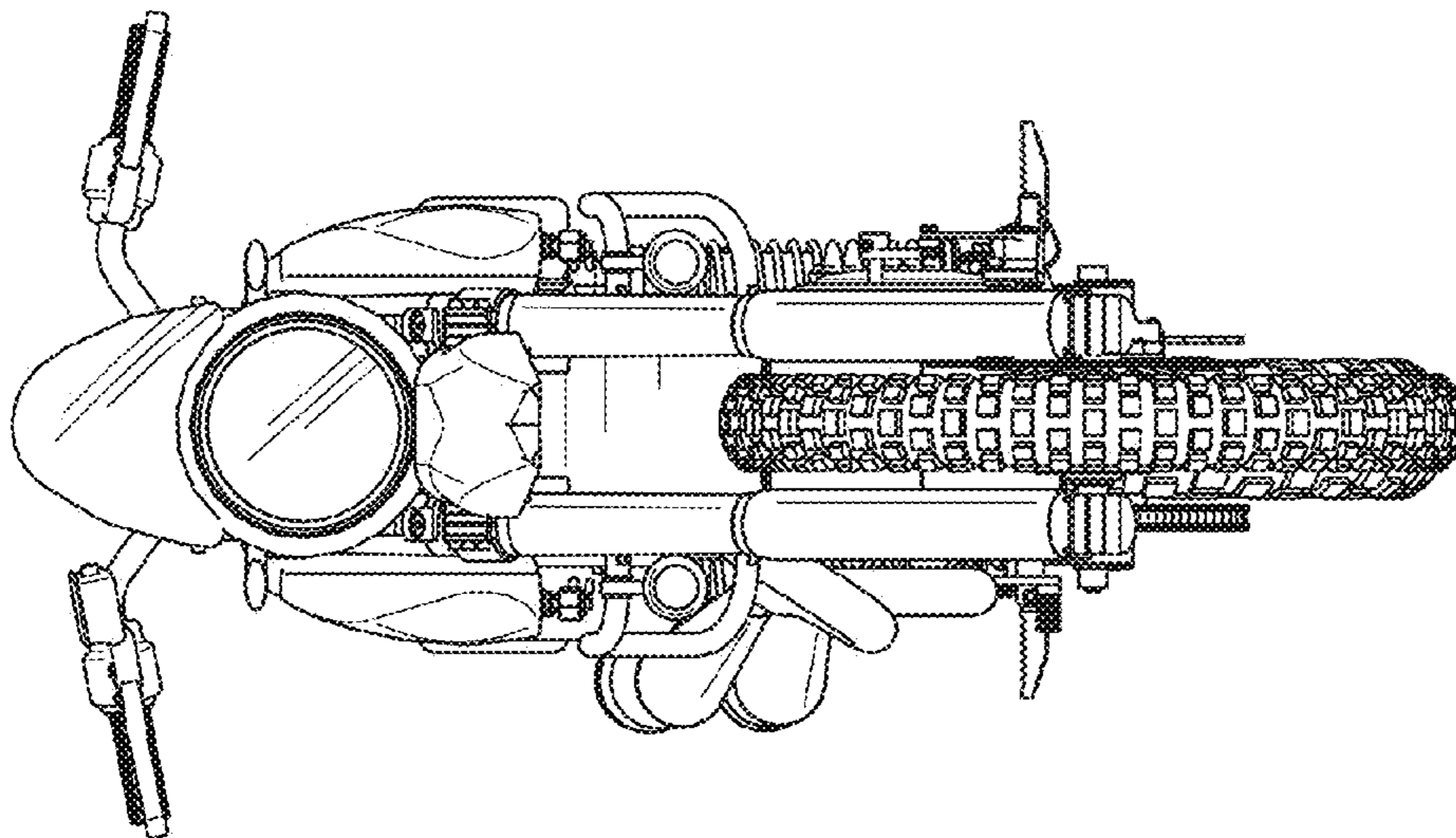


Fig. 6

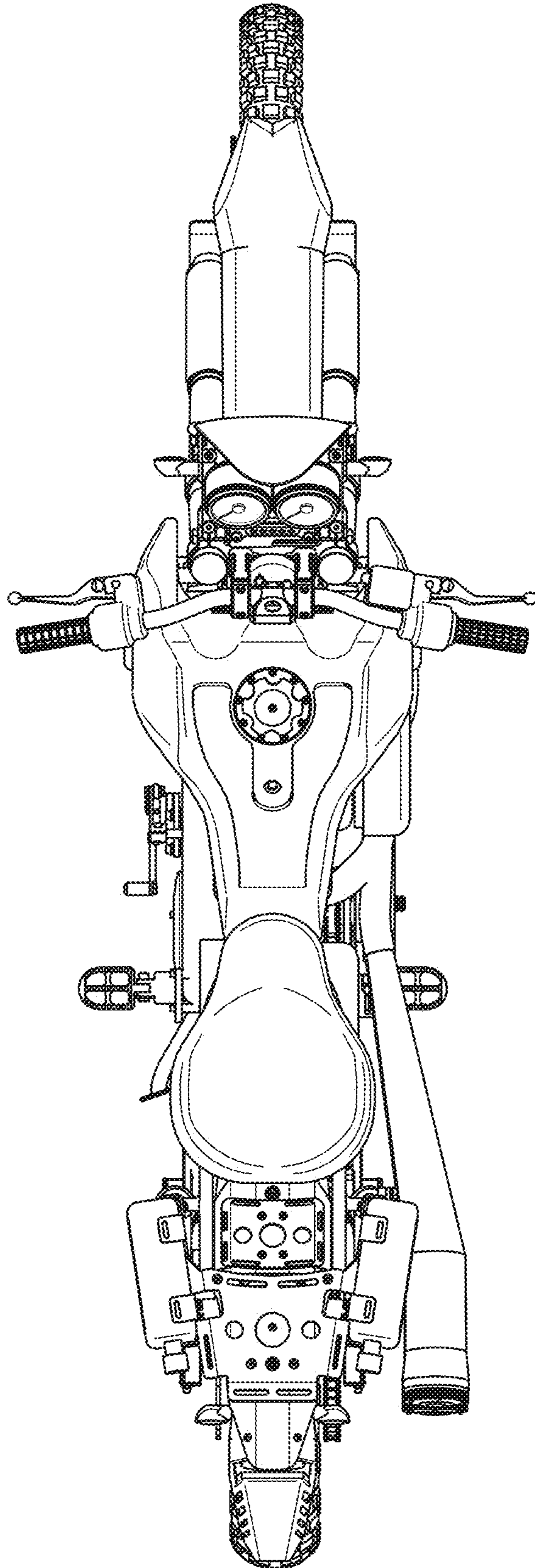


Fig. 7

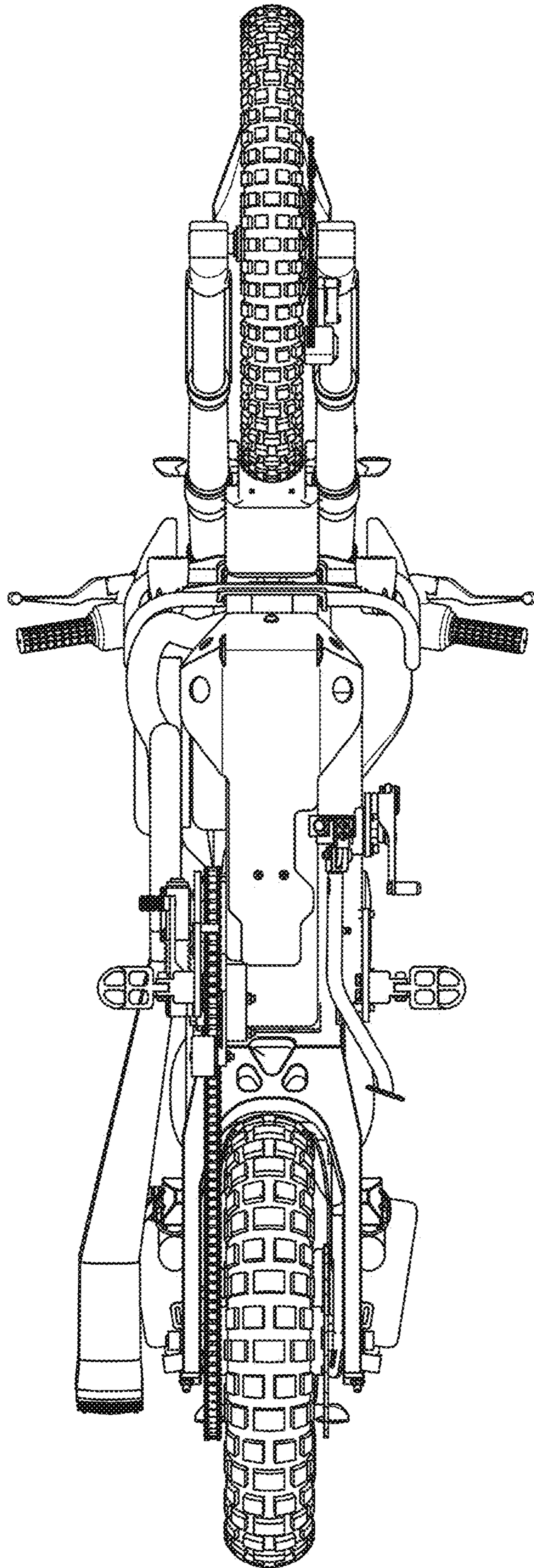


Fig. 8