



US00D690235S

(12) **United States Design Patent**  
**Wu et al.**

(10) **Patent No.:** **US D690,235 S**

(45) **Date of Patent:** **\*\* Sep. 24, 2013**

(54) **ELECTRIC SCOOTER**

(75) Inventors: **Wen-Yung Wu**, Kaohsiung (TW);  
**Kuo-Feng Huang**, Kaohsiung (TW);  
**Kai-Tong Yang**, Kaohsiung (TW)

(73) Assignee: **Kwang Yang Motor Co., Ltd.**,  
Kaohsiung (TW)

(\*\*) Term: **14 Years**

(21) Appl. No.: **29/422,786**

(22) Filed: **May 24, 2012**

(51) **LOC (9) Cl.** ..... **12-11**

(52) **U.S. Cl.**  
USPC ..... **D12/110**

(58) **Field of Classification Search**  
USPC ..... D12/110; 180/218–220, 206.1–206.8,  
180/205.1, 207.3, 65.1, 65.6–65.8

See application file for complete search history.

(56) **References Cited**

U.S. PATENT DOCUMENTS

D602,813 S \* 10/2009 Chao et al. .... D12/110  
D644,961 S \* 9/2011 Watanabe et al. .... D12/110  
D657,722 S \* 4/2012 Lambri et al. .... D12/110

\* cited by examiner

*Primary Examiner* — Susan M Lee

*Assistant Examiner* — Linda Brooks

(74) *Attorney, Agent, or Firm* — Leong C. Lei

(57) **CLAIM**

The ornamental design for an electric scooter, as shown and described.

**DESCRIPTION**

FIG. 1 is a perspective view of an electric scooter showing my new design;

FIG. 2 is a front elevational view thereof;

FIG. 3 is a rear elevational view thereof;

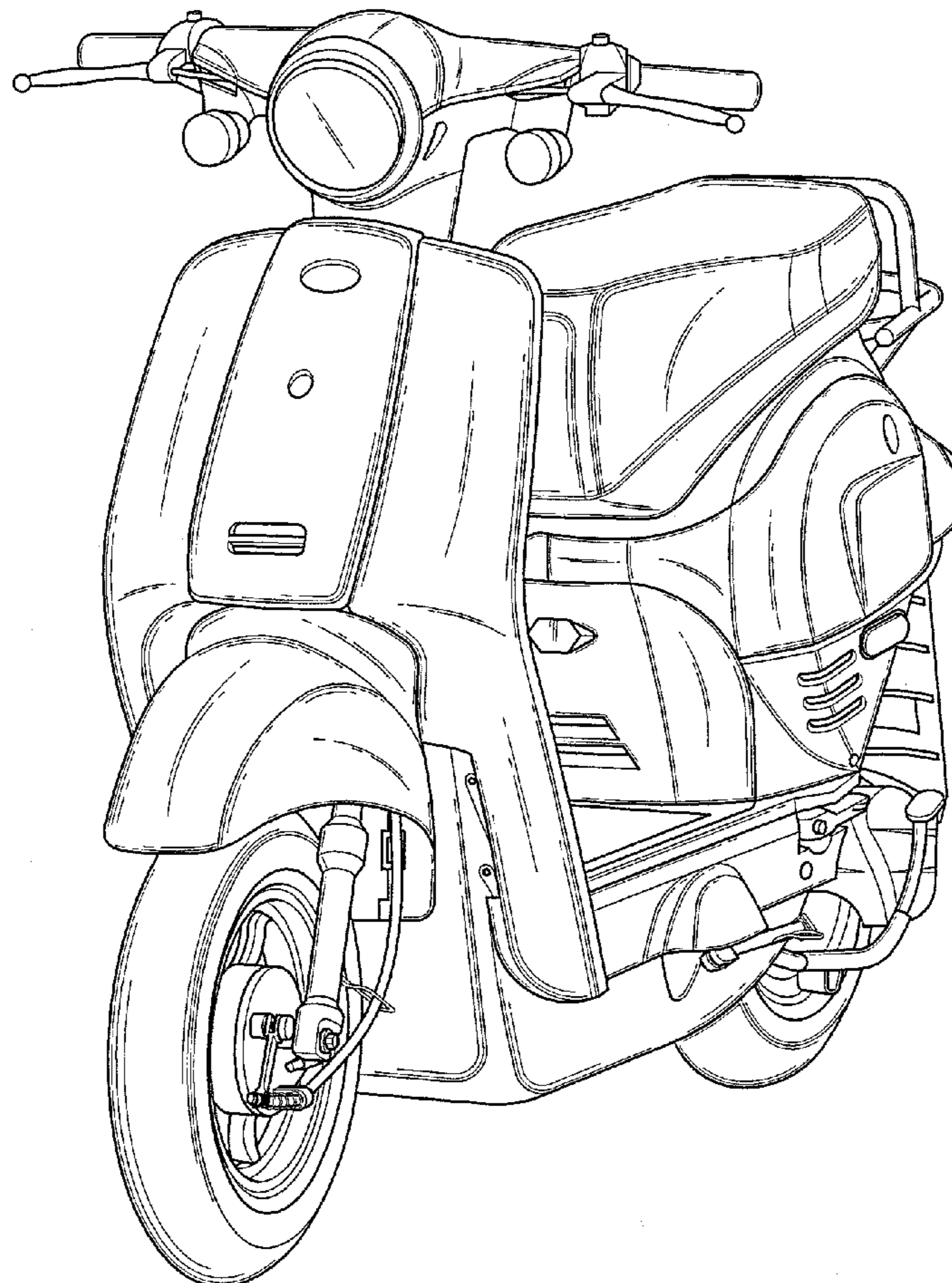
FIG. 4 is a left side elevational view thereof;

FIG. 5 is a right side elevational view thereof;

FIG. 6 is a top plan view thereof; and,

FIG. 7 is a bottom plan view thereof.

**1 Claim, 6 Drawing Sheets**



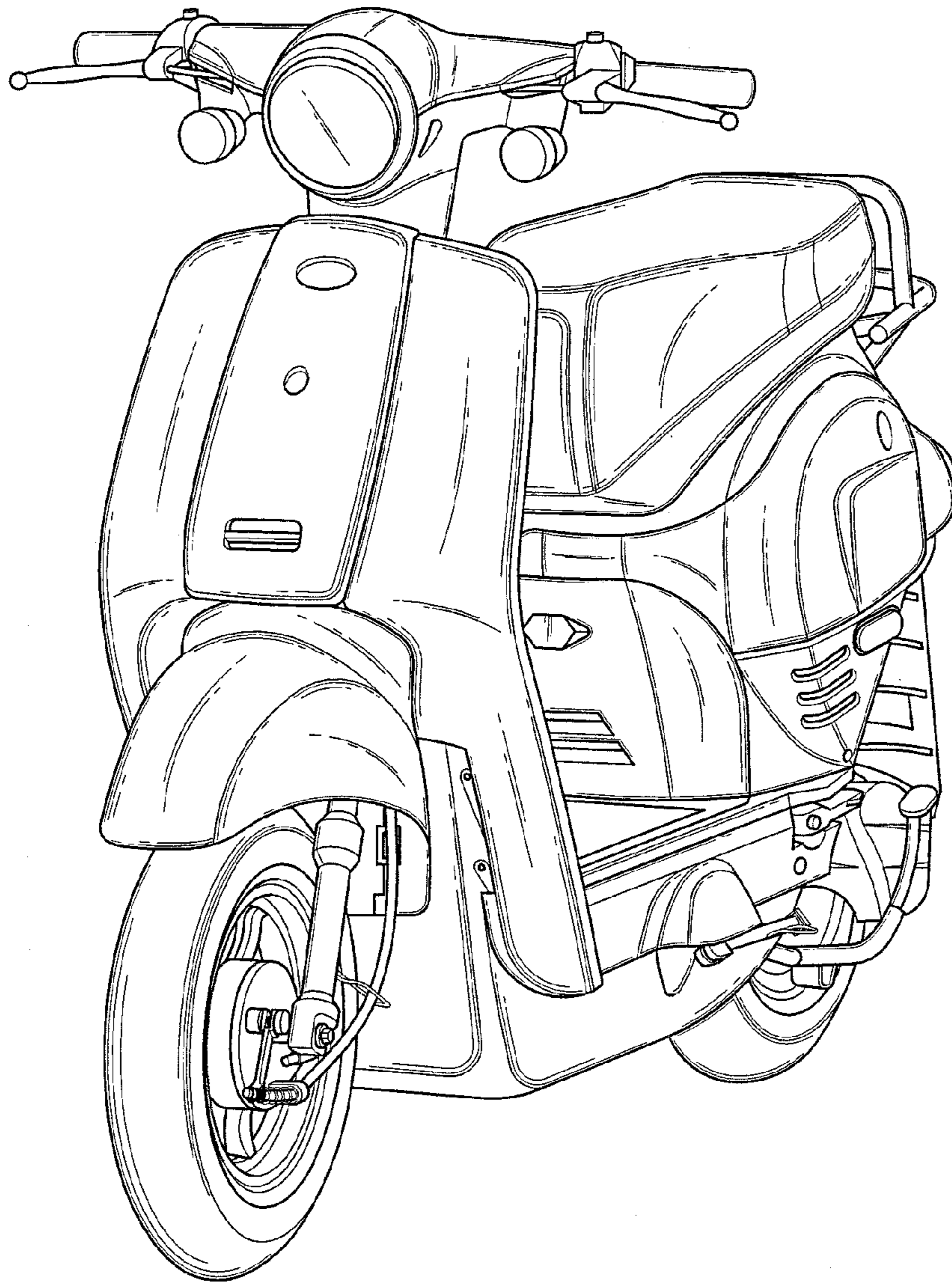


FIG.1

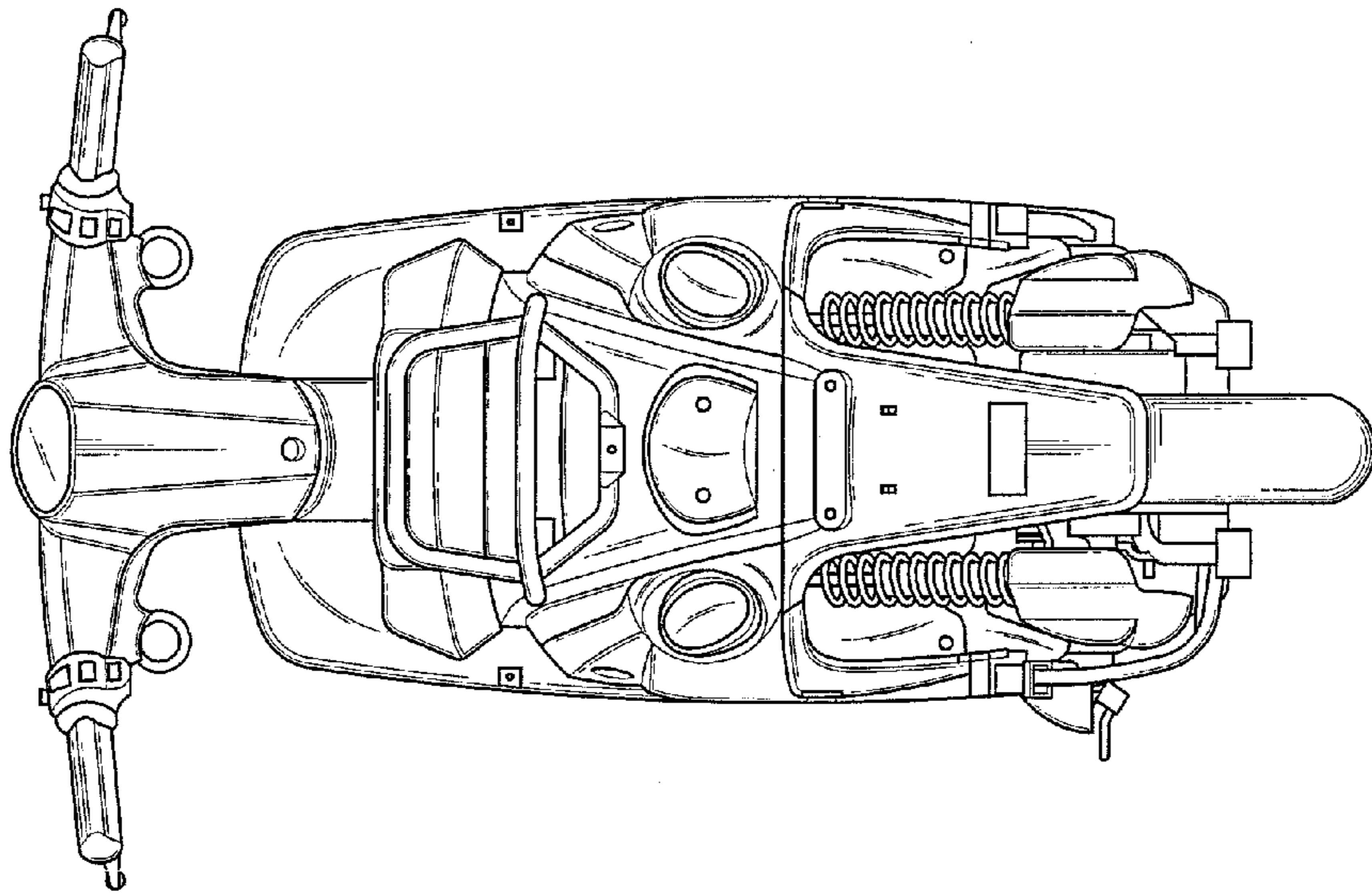


FIG.3

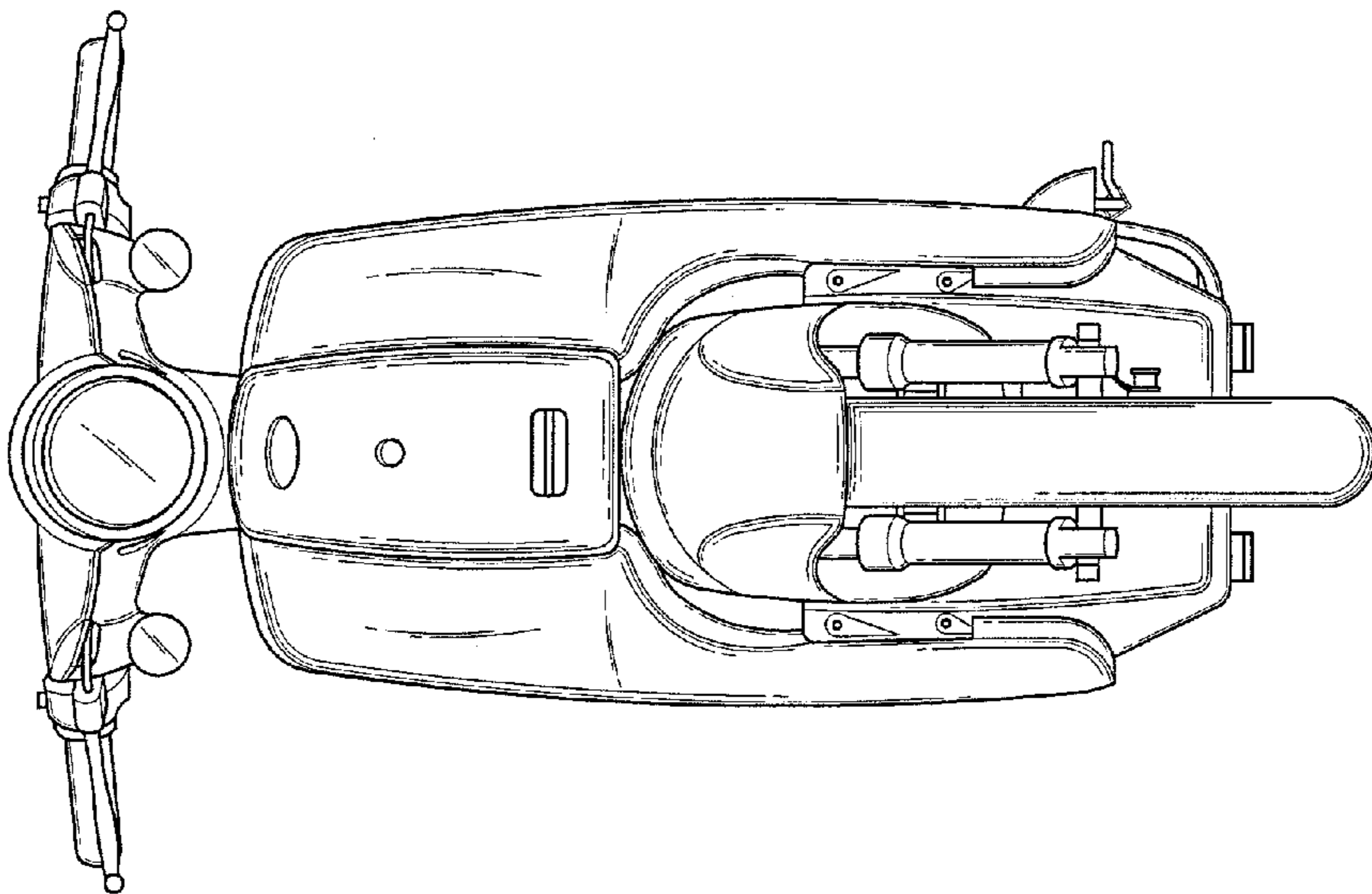


FIG.2

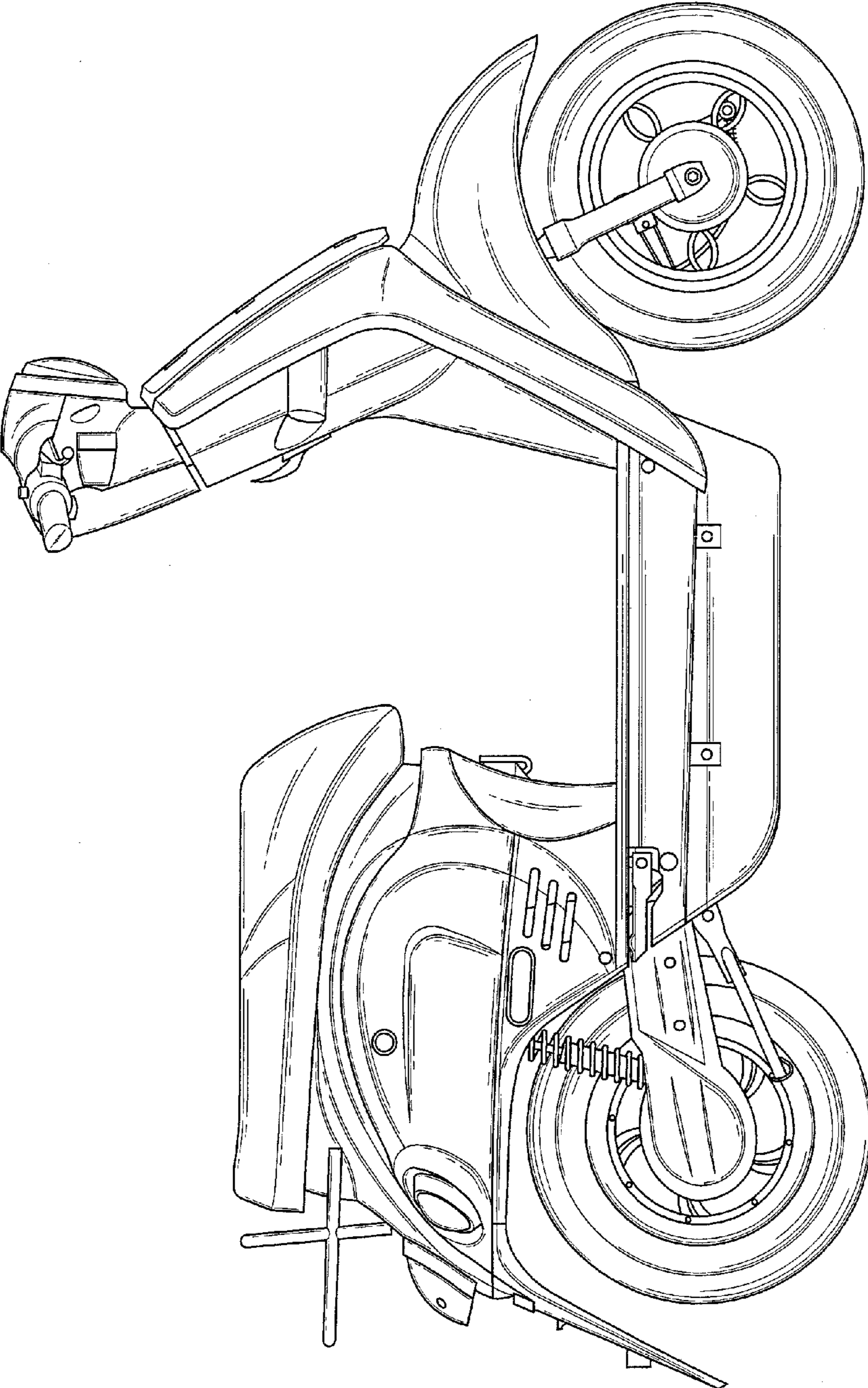


FIG.4

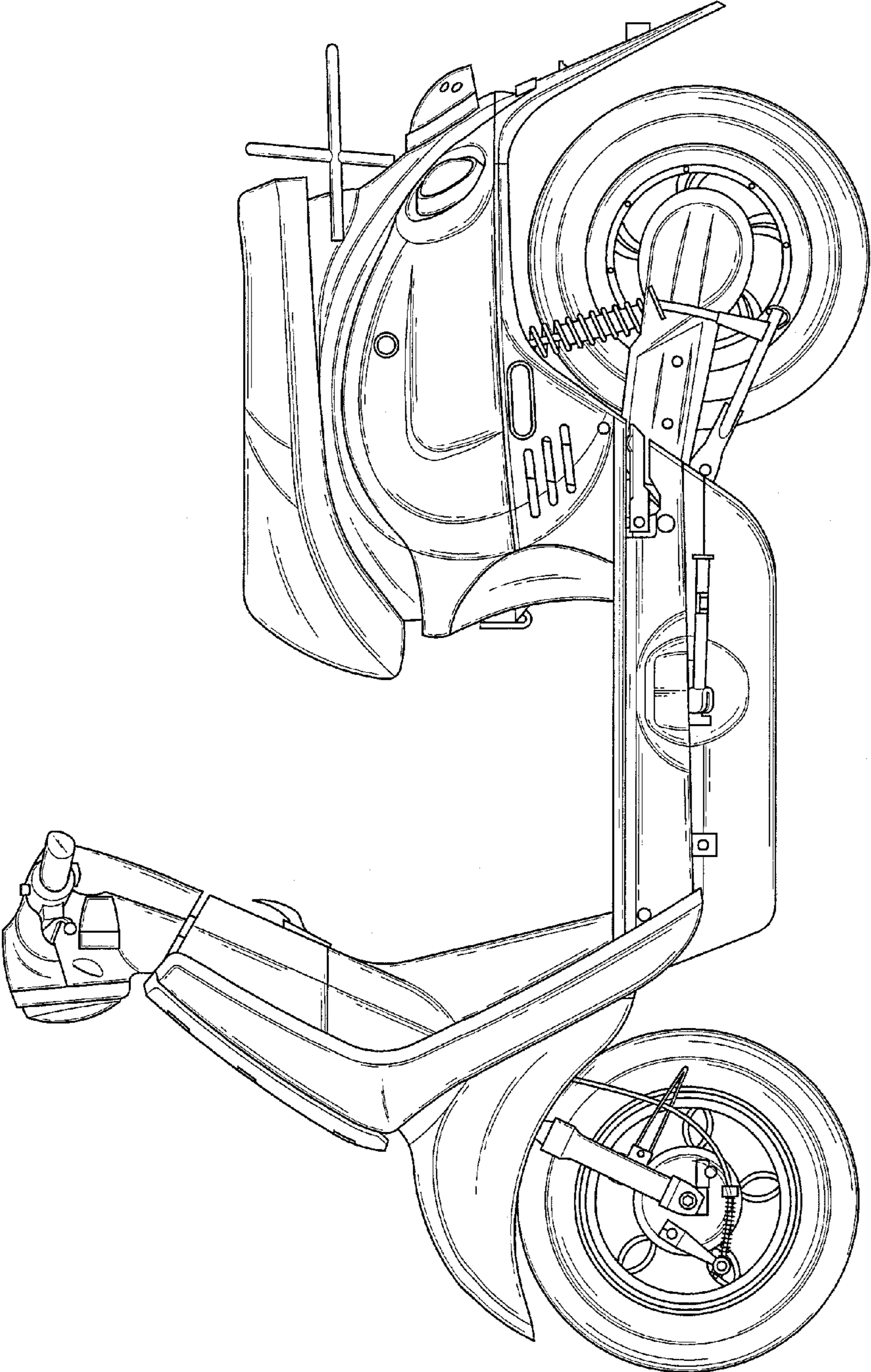


FIG.5

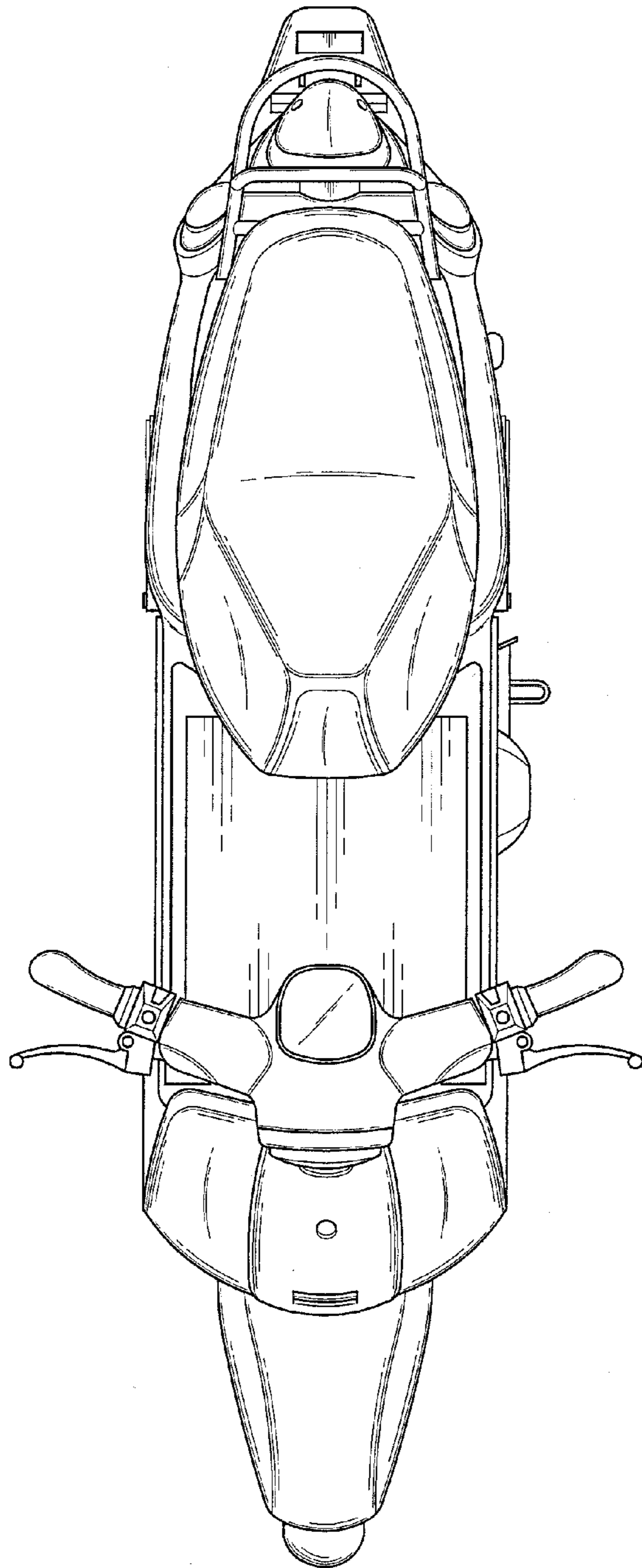


FIG.6

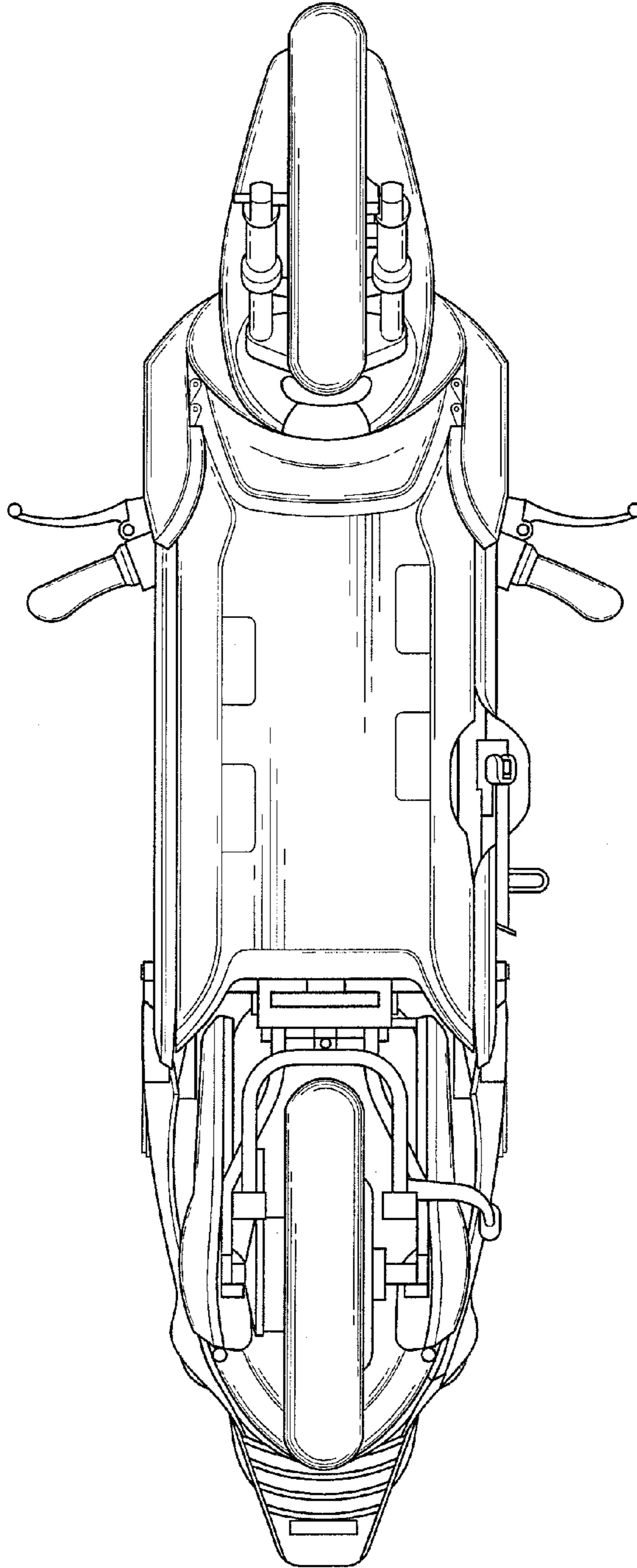


FIG. 7