



US00D690230S

(12) **United States Design Patent**
Moushegian et al.

(10) **Patent No.:** **US D690,230 S**

(45) **Date of Patent:** **** Sep. 24, 2013**

(54) **AUTOMOBILE BODY**

(75) Inventors: **Mark T. Moushegian**, San Diego, CA
(US); **Michael H. Nicholas**, Troy, MI
(US)

(73) Assignee: **Chrysler Group LLC**, Auburn Hills, MI
(US)

(**) Term: **14 Years**

(21) Appl. No.: **29/410,472**

(22) Filed: **Jan. 9, 2012**

(51) **LOC (9) Cl.** **12-08**

(52) **U.S. Cl.**
USPC **D12/91**

(58) **Field of Classification Search**
USPC D12/86, 88, 90, 91, 92; D21/424,
D21/433, 434; 296/181.1, 181.5
See application file for complete search history.

(56) **References Cited**

U.S. PATENT DOCUMENTS

D441,321 S	5/2001	Faurote et al.	
D447,983 S	9/2001	Stoddard et al.	
D463,758 S	10/2002	Meadows et al.	
D466,052 S	11/2002	Abbott et al.	
D466,443 S *	12/2002	Faurote et al.	D12/91
D553,049 S	10/2007	Opfer et al.	
D564,411 S	3/2008	Zavatski et al.	
D566,619 S *	4/2008	Bushell	D12/86
D624,456 S *	9/2010	Loeb	D12/86

D633,009 S *	2/2011	Matei et al.	D12/91
D641,289 S *	7/2011	Song et al.	D12/91
D641,662 S *	7/2011	Zavatski et al.	D12/91
D642,494 S *	8/2011	Loeb	D12/91
D646,606 S *	10/2011	Kato et al.	D12/91
D664,069 S *	7/2012	Dan et al.	D12/91
D671,456 S *	11/2012	Fujiyoshi et al.	D12/91
D673,078 S *	12/2012	Ramaciotti	D12/91
2007/0056231 A1 *	3/2007	DiMario et al.	52/204.53
2012/0169085 A1 *	7/2012	Verhee et al.	296/180.1

* cited by examiner

Primary Examiner — Philip S Hyder

Assistant Examiner — Darlington Ly

(74) *Attorney, Agent, or Firm* — Ralph E Smith

(57) **CLAIM**

The ornamental design for an automobile body, as shown and described.

DESCRIPTION

FIG. 1 is a front perspective view of an automobile body showing our new design;

FIG. 2 is a rear perspective view thereof;

FIG. 3 is a top view thereof;

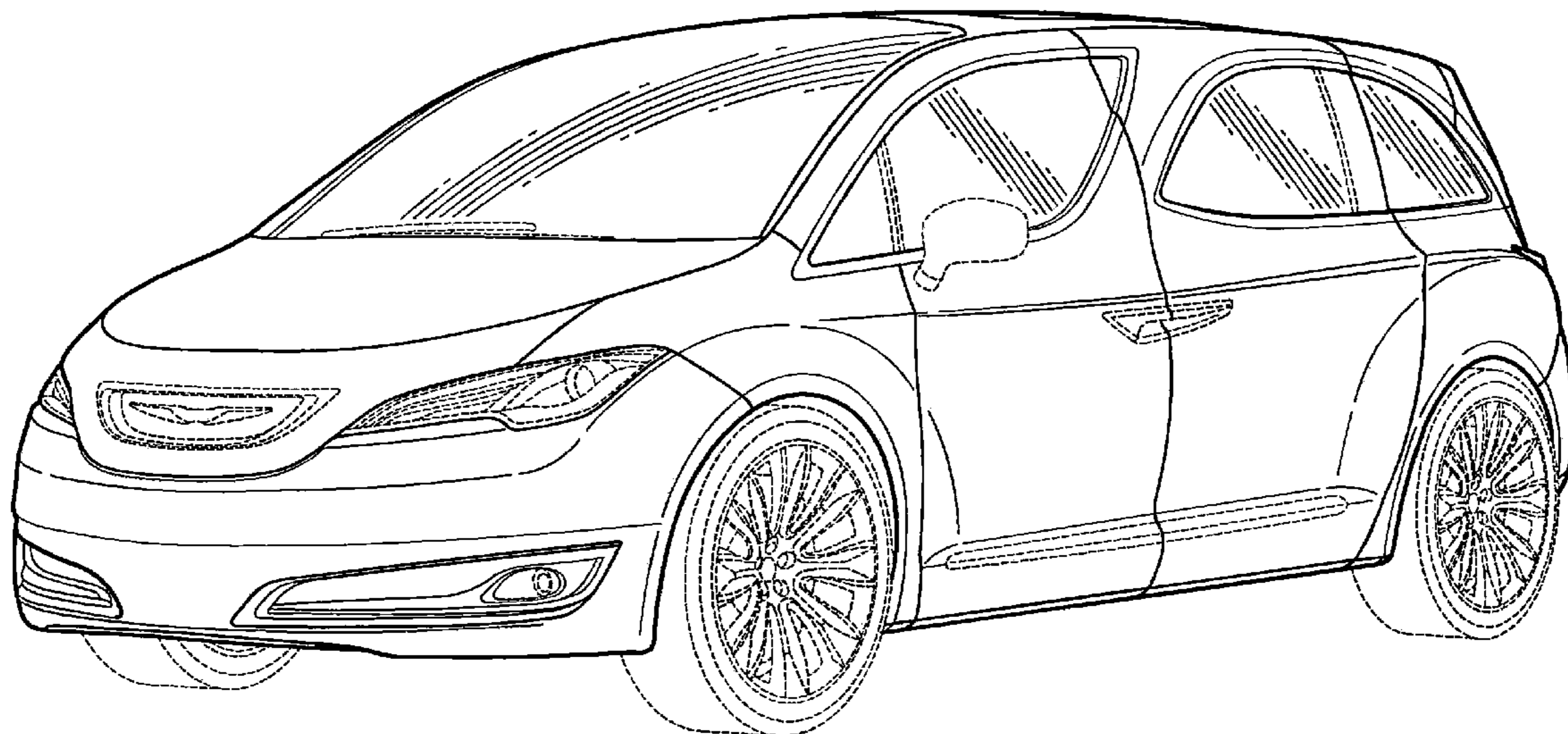
FIG. 4 is a side view thereof;

FIG. 5 is a front view thereof; and,

FIG. 6 is a rear view thereof.

It will be understood that the broken lines shown in the drawings illustrate portions of the automobile body that form no part of claimed design.

1 Claim, 5 Drawing Sheets



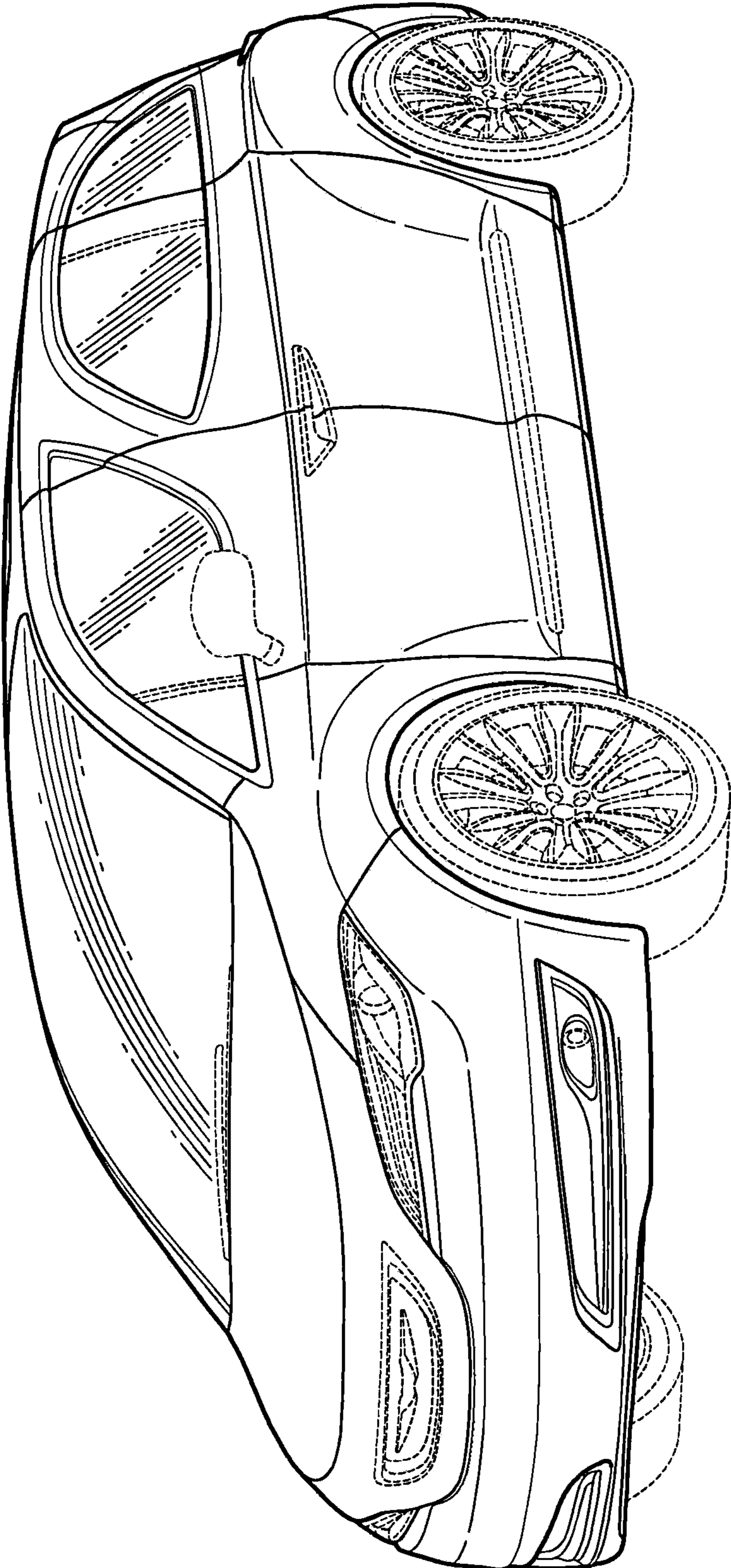


FIG. 1

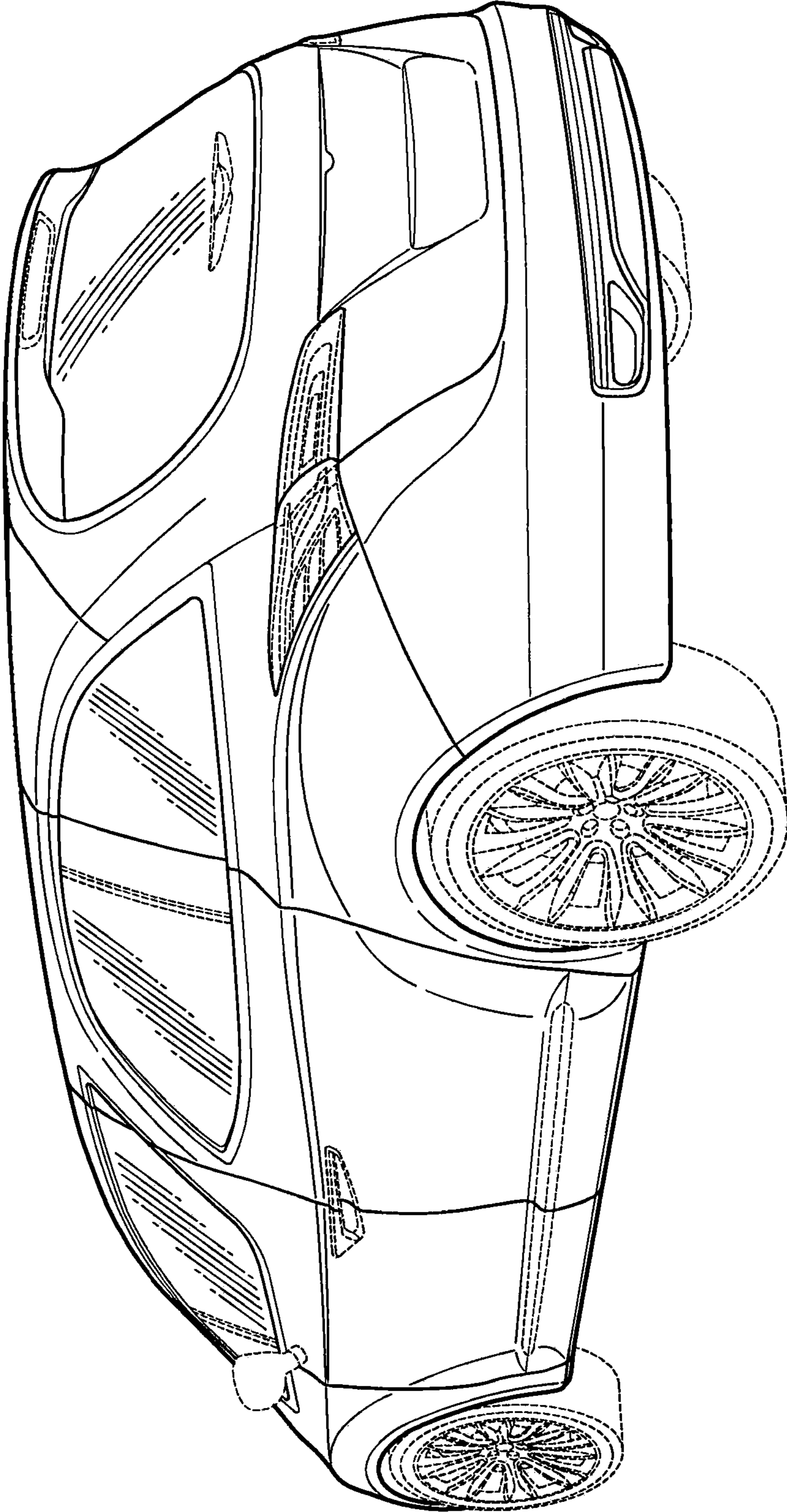


FIG. 2

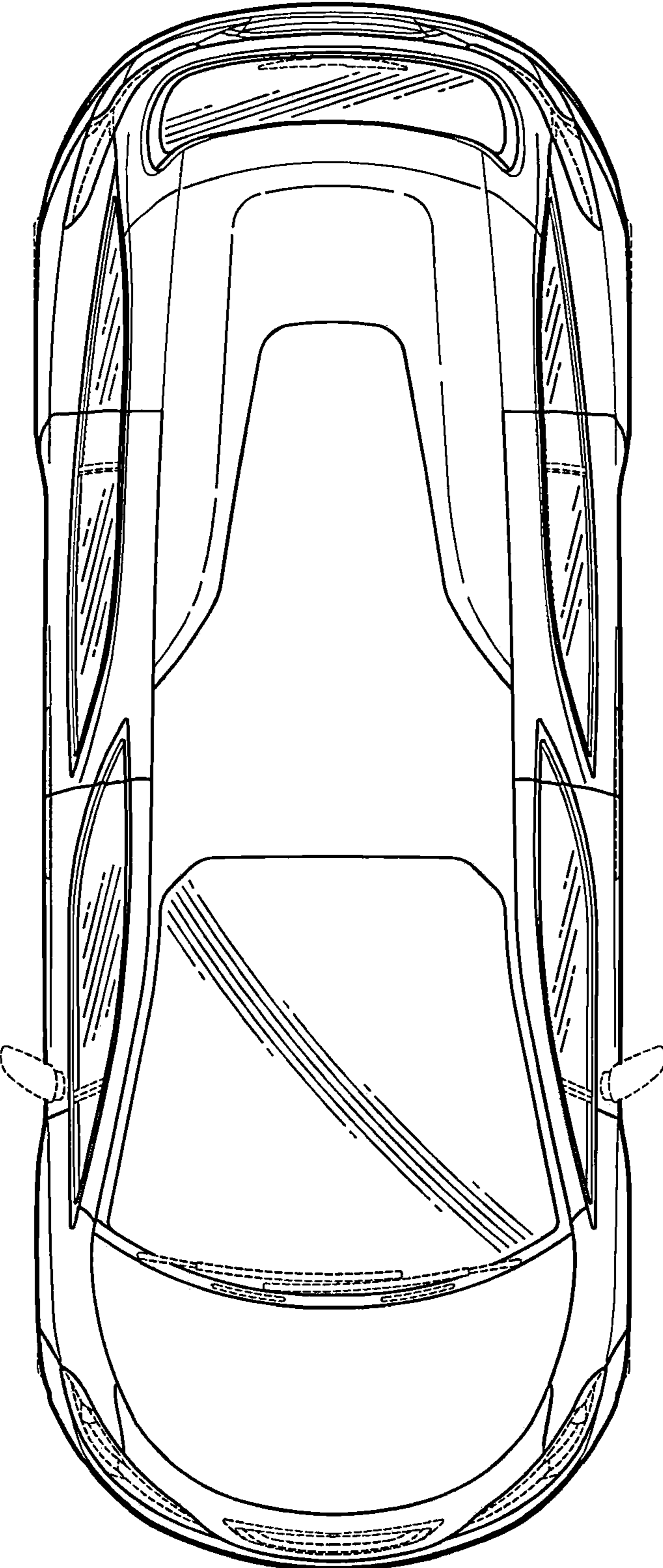


FIG. 3

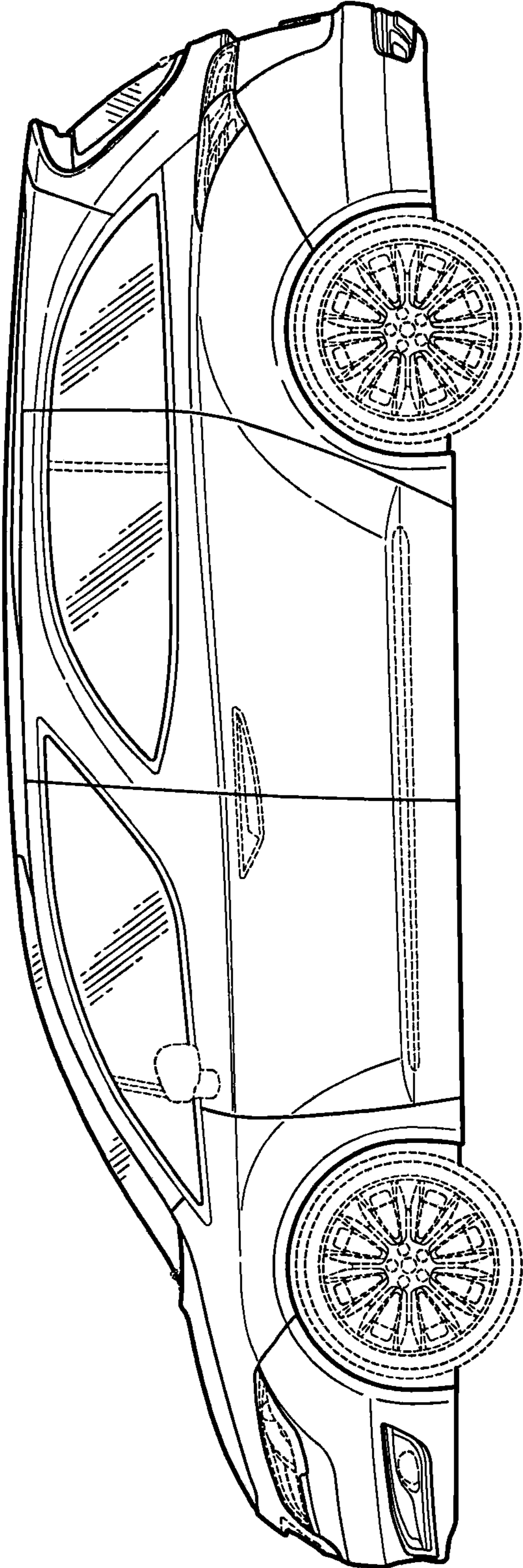


FIG. 4

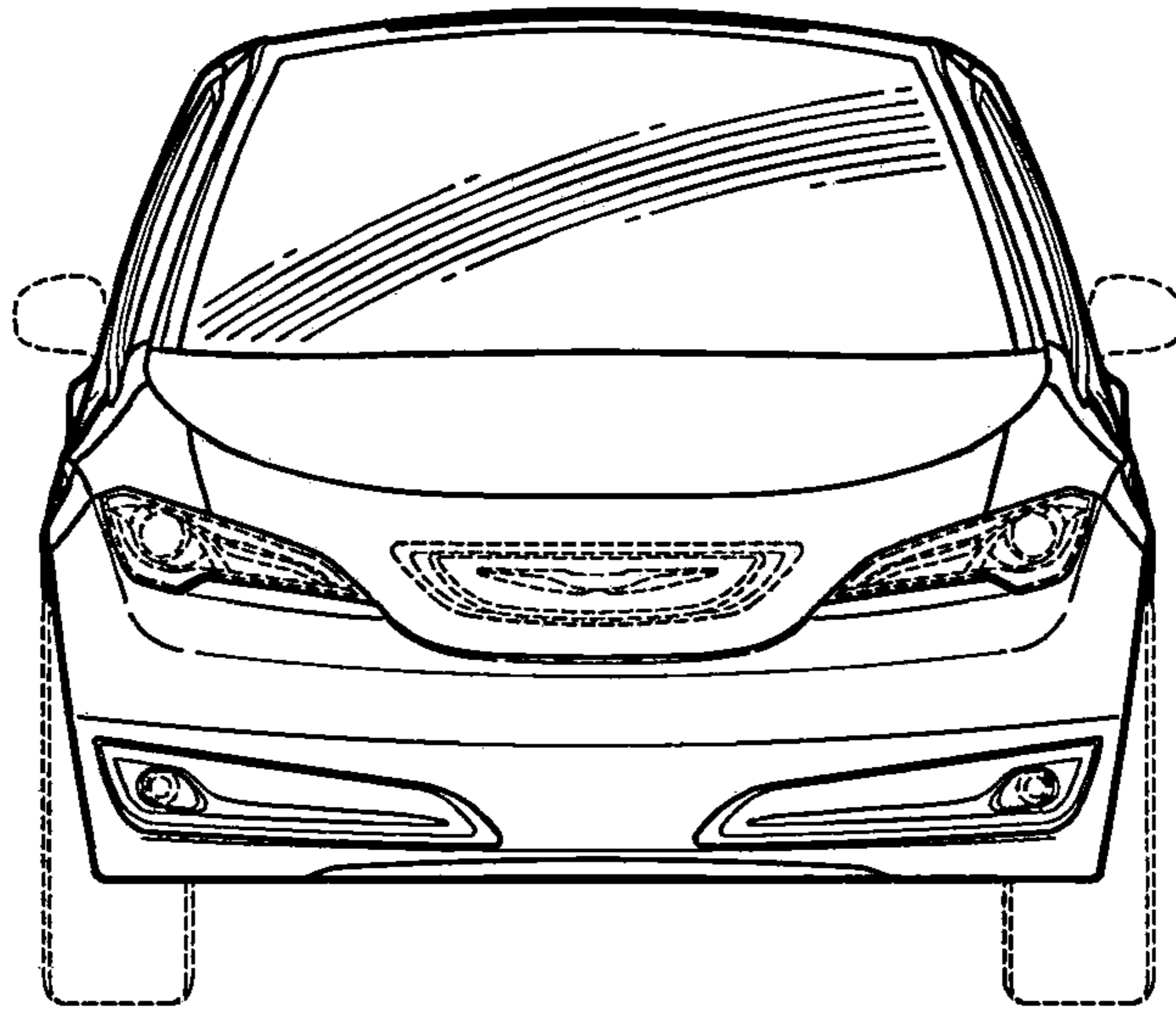


FIG. 5

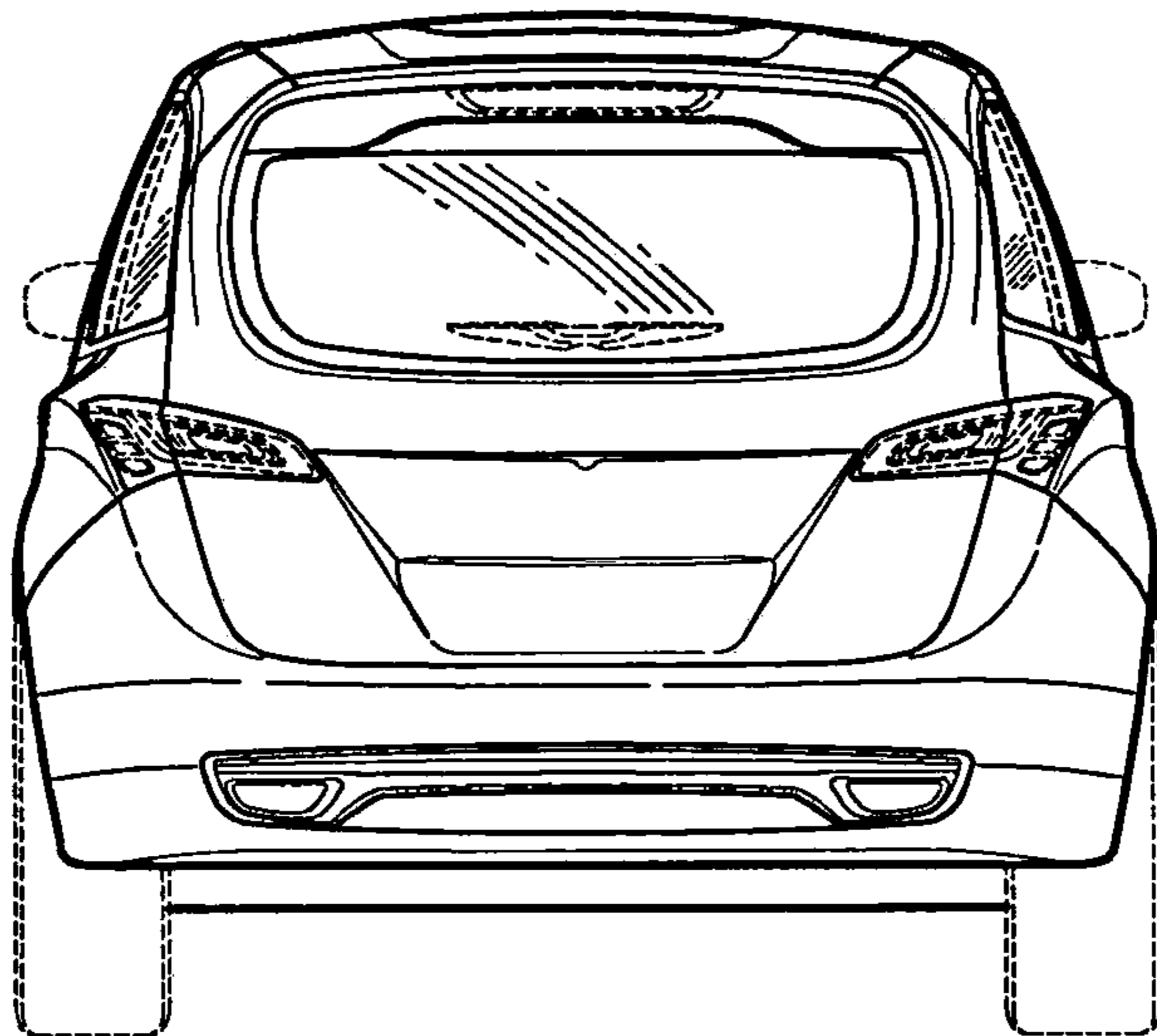


FIG. 6