



US00D690225S

(12) **United States Design Patent**
DuBow

(10) **Patent No.:** **US D690,225 S**

(45) **Date of Patent:** **** Sep. 24, 2013**

(54) **SLEIGH CORK CAGE ORNAMENT**

(75) Inventor: **Ardeen DuBow**, Santa Ana, CA (US)

(73) Assignee: **Epic Products, Inc.**, Santa Ana, CA (US)

(**) Term: **14 Years**

(21) Appl. No.: **29/404,742**

(22) Filed: **Oct. 25, 2011**

(51) **LOC (9) Cl.** **11-05**

(52) **U.S. Cl.**
USPC **D11/125; D11/157**

(58) **Field of Classification Search**
USPC D11/117, 121, 125, 131, 132, 133,
D11/138, 157, 163; D21/769; 428/7, 8,
428/9, 12; D3/270, 271.1; D9/600, 681;
D7/560, 563, 564, 571, 604, 628, 606, 601,
D7/625

See application file for complete search history.

(56) **References Cited**

U.S. PATENT DOCUMENTS

D25,135 S *	2/1896	Moyer	D12/9
579,917 A *	3/1897	Caffrey	280/24
1,065,876 A *	6/1913	Kennard	280/24
D112,958 S *	1/1939	Lynch	D12/10
D148,209 S *	12/1947	Arnold	D11/129
D151,116 S *	9/1948	Biener	D11/125
D152,220 S *	12/1948	Shailer	D12/10
D159,393 S *	7/1950	Roche	D9/672
D167,660 S *	9/1952	Schrager	D11/129
D170,939 S *	11/1953	Petry	D11/129
2,765,583 A *	10/1956	Gamble	40/420
2,821,801 A *	2/1958	Pruitt, Sr.	40/420
D182,595 S *	4/1958	Jackson	D11/130.1
D187,035 S *	1/1960	Singer	D12/6
D202,941 S *	11/1965	Krause	D19/2
3,224,660 A *	12/1965	Willis et al.	229/116.3

D211,366 S *	6/1968	Kadmon	D11/129
D234,584 S *	3/1975	Morris	D12/6
4,190,979 A *	3/1980	Singer	446/93
D264,282 S *	5/1982	Blavat	D11/130.1
D275,845 S *	10/1984	Kelly	D11/129
D281,212 S *	11/1985	Appleby	D7/699
4,561,666 A *	12/1985	Aumann	280/20
D337,899 S *	8/1993	Mattikow	D6/407
5,379,202 A *	1/1995	Daun	362/249.16
D374,412 S *	10/1996	Dauberman, Jr.	D11/158
D389,089 S *	1/1998	Lal et al.	D11/125
D392,210 S *	3/1998	Chong	D11/129
D513,906 S *	1/2006	Holland	D6/451
D521,636 S *	5/2006	Holland	D23/410
D620,388 S *	7/2010	Chen et al.	D11/125
D628,119 S *	11/2010	Sandberg	D11/121
D682,149 S *	5/2013	Dubow	D11/157
2010/0159080 A1 *	6/2010	Steele et al.	426/89

* cited by examiner

Primary Examiner — Elizabeth J Oswecki

(74) *Attorney, Agent, or Firm* — Nath, Goldberg & Meyer;
Jerald L. Meyer; Scott C. Langford

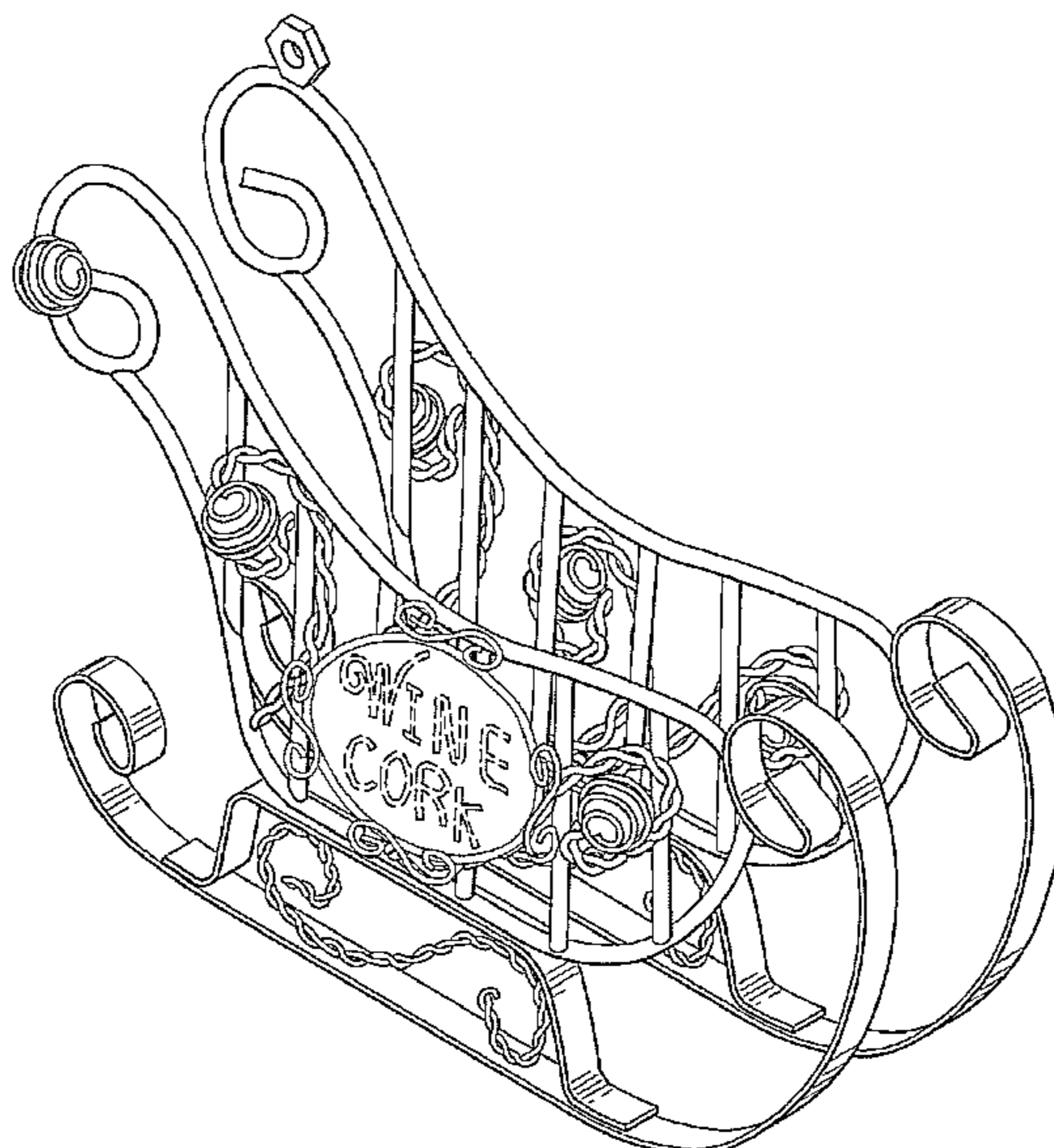
(57) **CLAIM**

The ornamental design for a sleigh cork cage ornament, as shown and described.

DESCRIPTION

FIG. 1 is a perspective view of a sleigh cork cage ornament showing my new design;
FIG. 2 is a right side elevation view thereof;
FIG. 3 is a left side elevation view thereof;
FIG. 4 is a front elevation view thereof;
FIG. 5 is a rear elevation view thereof;
FIG. 6 is a top plan view thereof; and,
FIG. 7 is a bottom plan view thereof.
The broken lines shown in the drawings represent portions of the sleigh cork cage ornament that form no part of the claimed design.

1 Claim, 4 Drawing Sheets



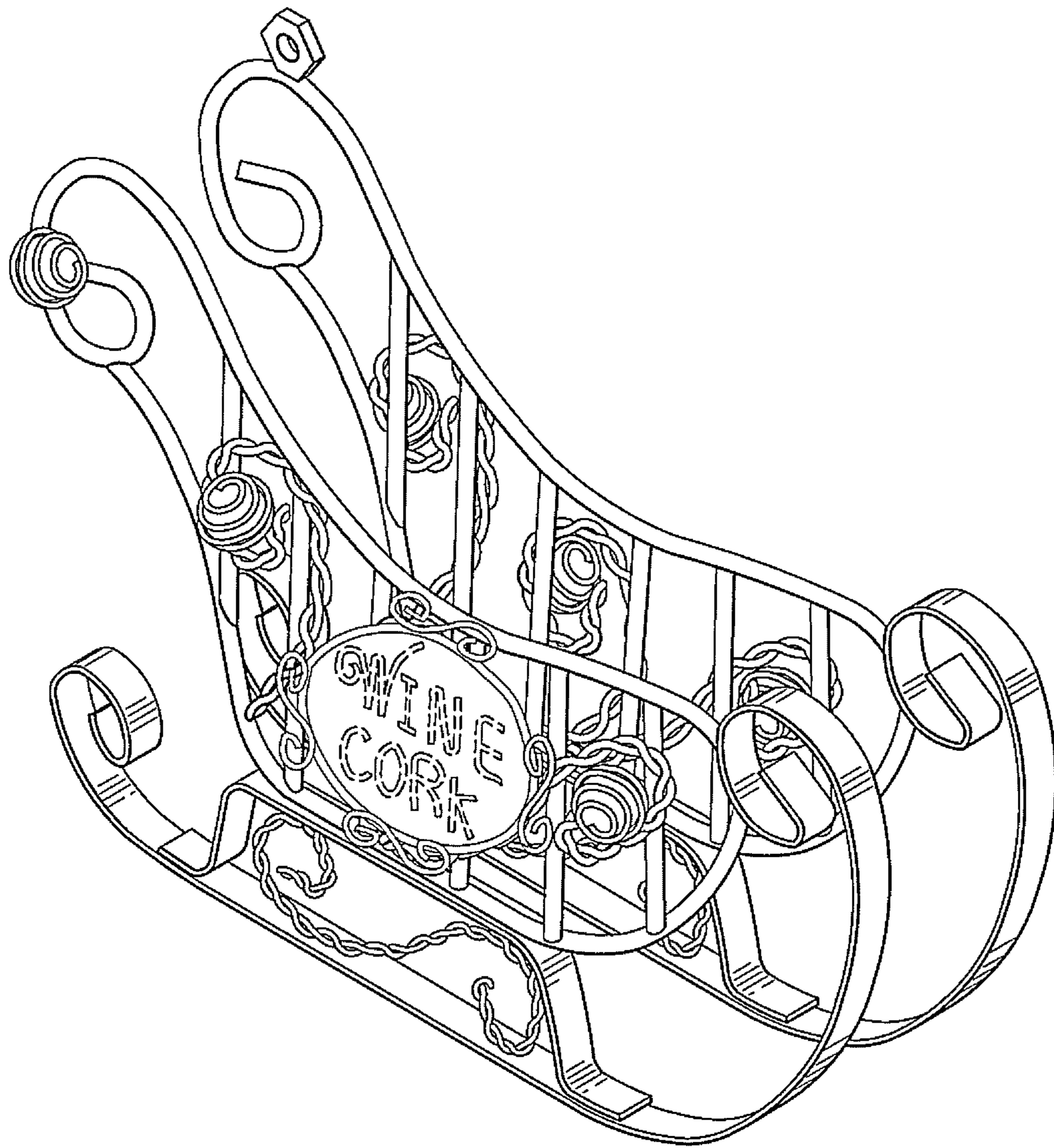


FIG. 1

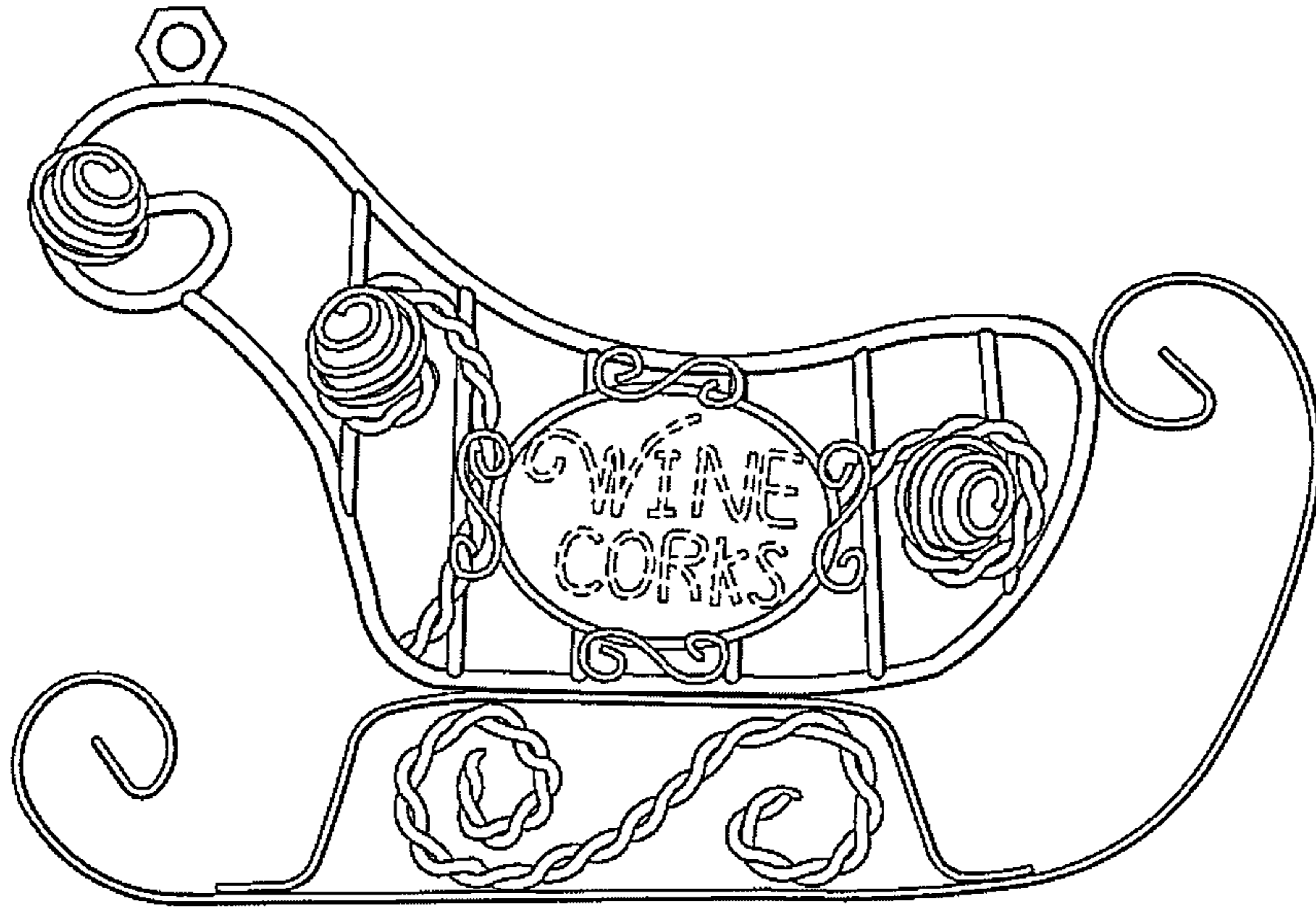


FIG. 2

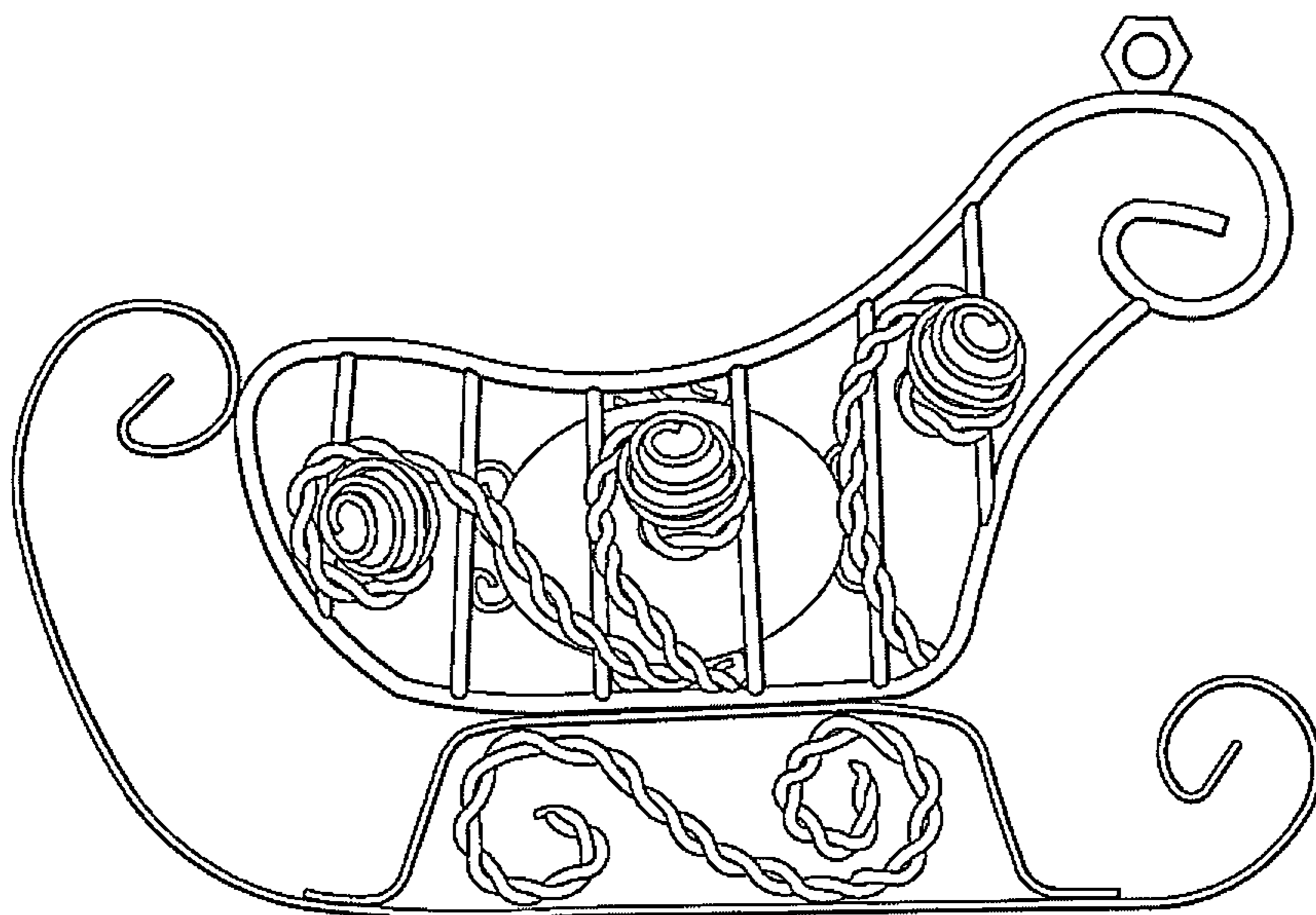


FIG. 3

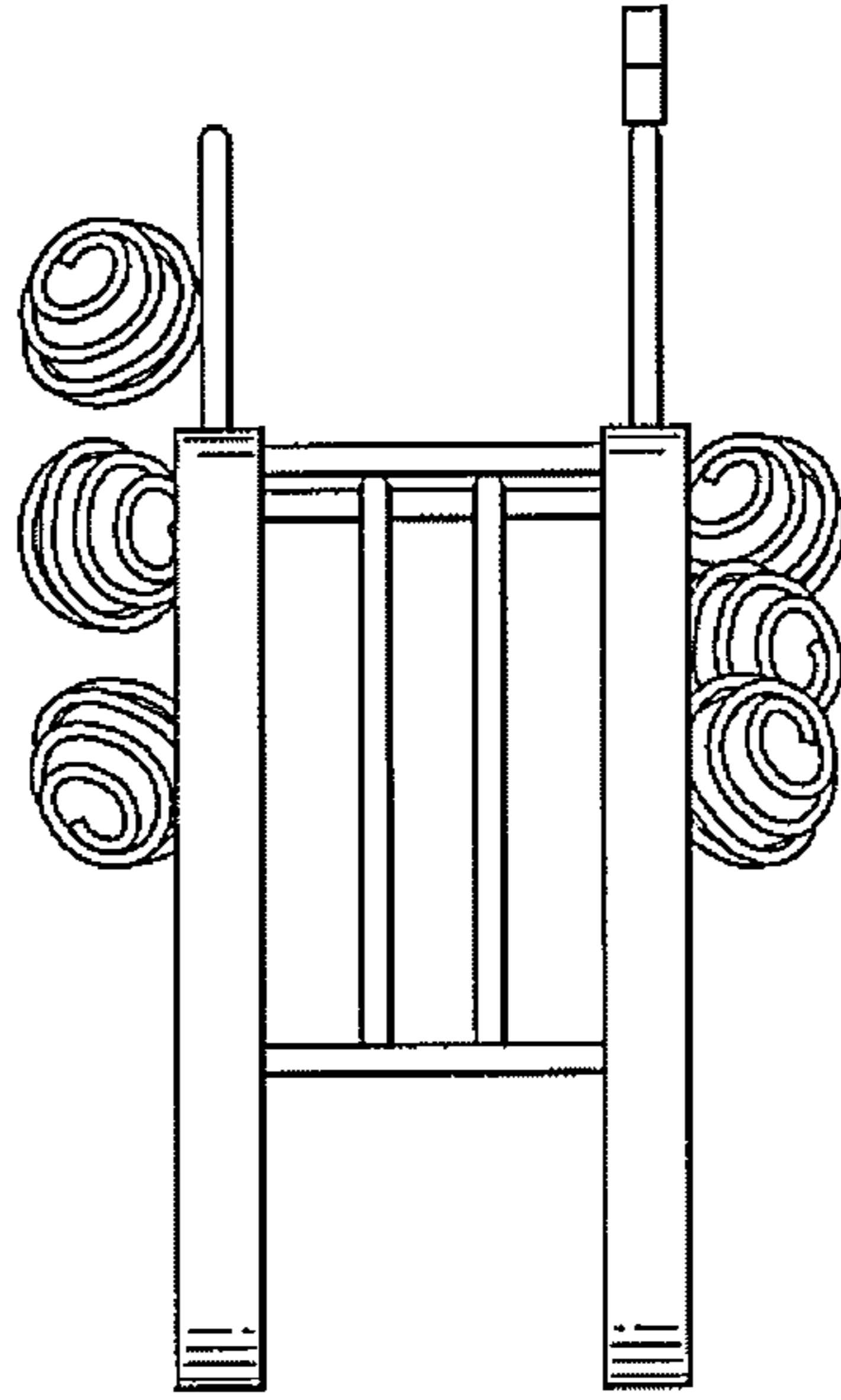


FIG. 4

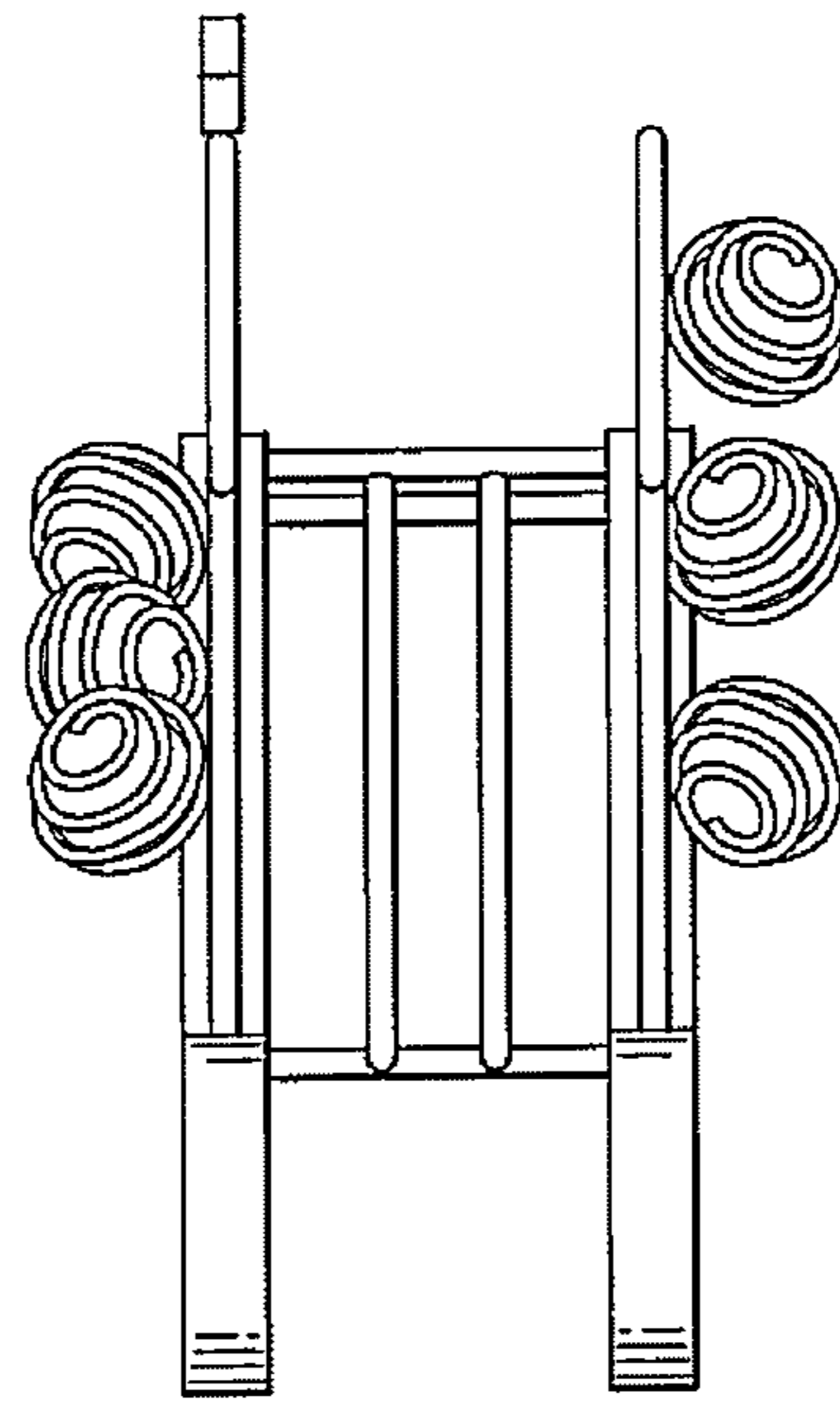


FIG. 5

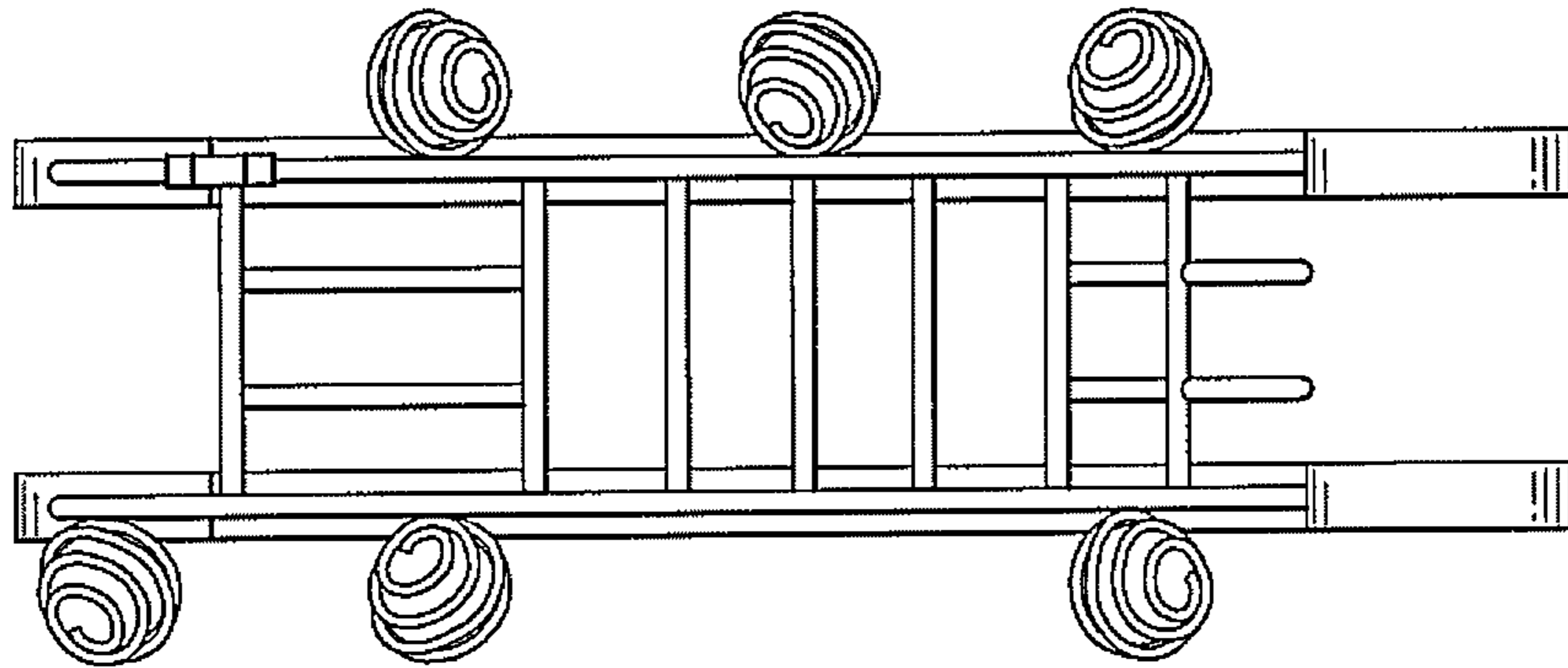


FIG. 6

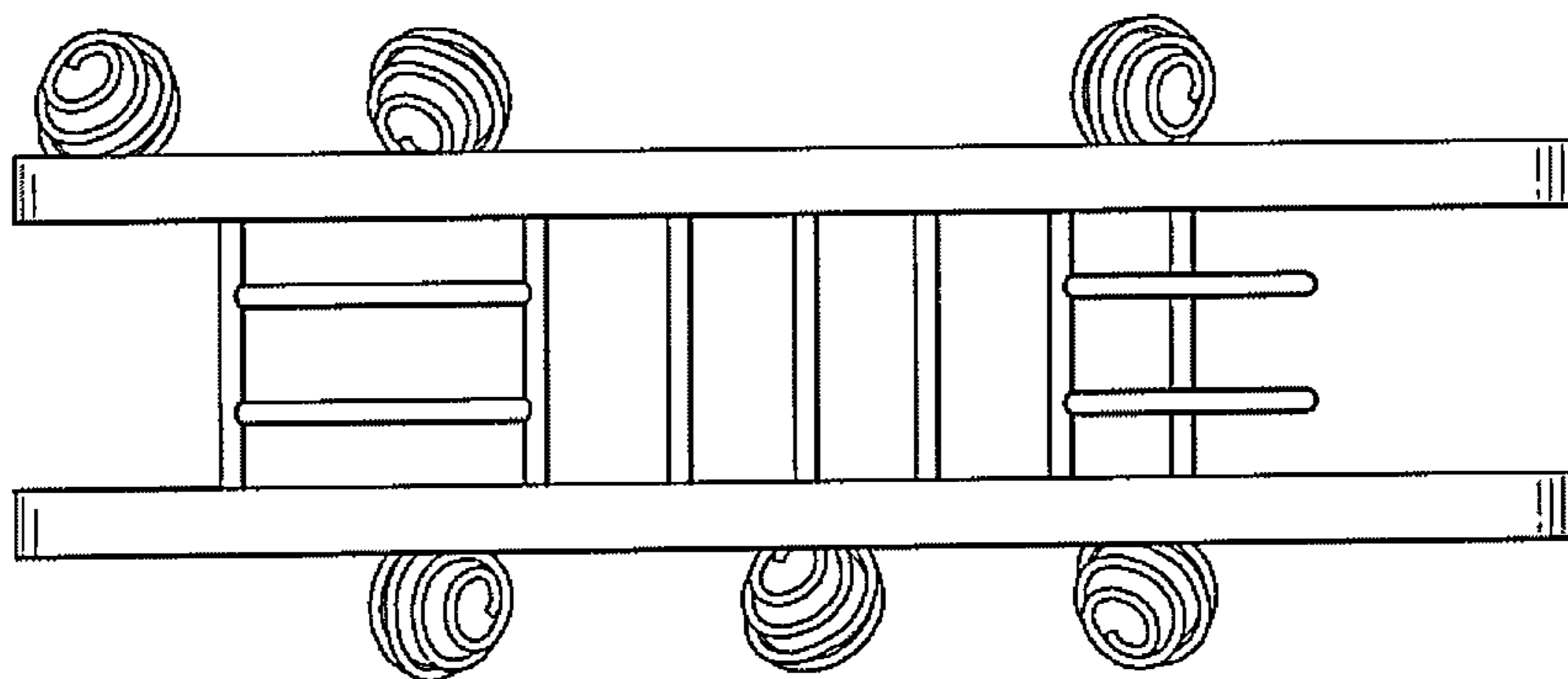


FIG. 7