



US00D690223S

(12) **United States Design Patent**  
**Hardy**

(10) **Patent No.:** **US D690,223 S**

(45) **Date of Patent:** **\*\* Sep. 24, 2013**

(54) **BRACELET CLASP**

(71) Applicant: **Hermes Sellier (Societe par Actions Simplifree)**, Paris (FR)

(72) Inventor: **Pierre Hardy**, Paris (FR)

(73) Assignee: **Hermes Sellier (Societe par Actions Simplifree)**, Paris (FR)

(\*\*) Term: **14 Years**

(21) Appl. No.: **29/442,339**

(22) Filed: **Feb. 7, 2013**

(51) **LOC (9) Cl.** ..... **11-01**

(52) **U.S. Cl.**  
USPC ..... **D11/88**

(58) **Field of Classification Search**  
USPC ..... D11/1-2, 40-88, 91, 206, 214, 216,  
D11/215; 63/1.1, 12, 13, 20, 14.1-14.8;  
24/711.1, 705, 706.9, 253  
See application file for complete search history.

(56) **References Cited**

**U.S. PATENT DOCUMENTS**

- 3,736,770 A \* 6/1973 Kelrick ..... 63/15.7
- 4,815,180 A \* 3/1989 Elsener ..... 24/616
- D331,724 S \* 12/1992 Klein ..... D11/26
- D343,595 S \* 1/1994 Perrin et al. .... D11/206
- 5,816,073 A \* 10/1998 Bardisbanyan ..... 63/12

- D408,754 S \* 4/1999 Perrin et al. .... D11/42
- 6,843,072 B1 \* 1/2005 Lau ..... 63/12
- 7,107,789 B1 \* 9/2006 Bruner ..... 63/15.7
- 7,347,065 B1 \* 3/2008 DeGolyer ..... 63/7
- 7,770,413 B2 \* 8/2010 Tyler ..... 63/12
- 7,878,024 B2 \* 2/2011 Baik ..... 63/12

\* cited by examiner

*Primary Examiner* — Zenia Bennett

(74) *Attorney, Agent, or Firm* — Foley & Lardner LLP

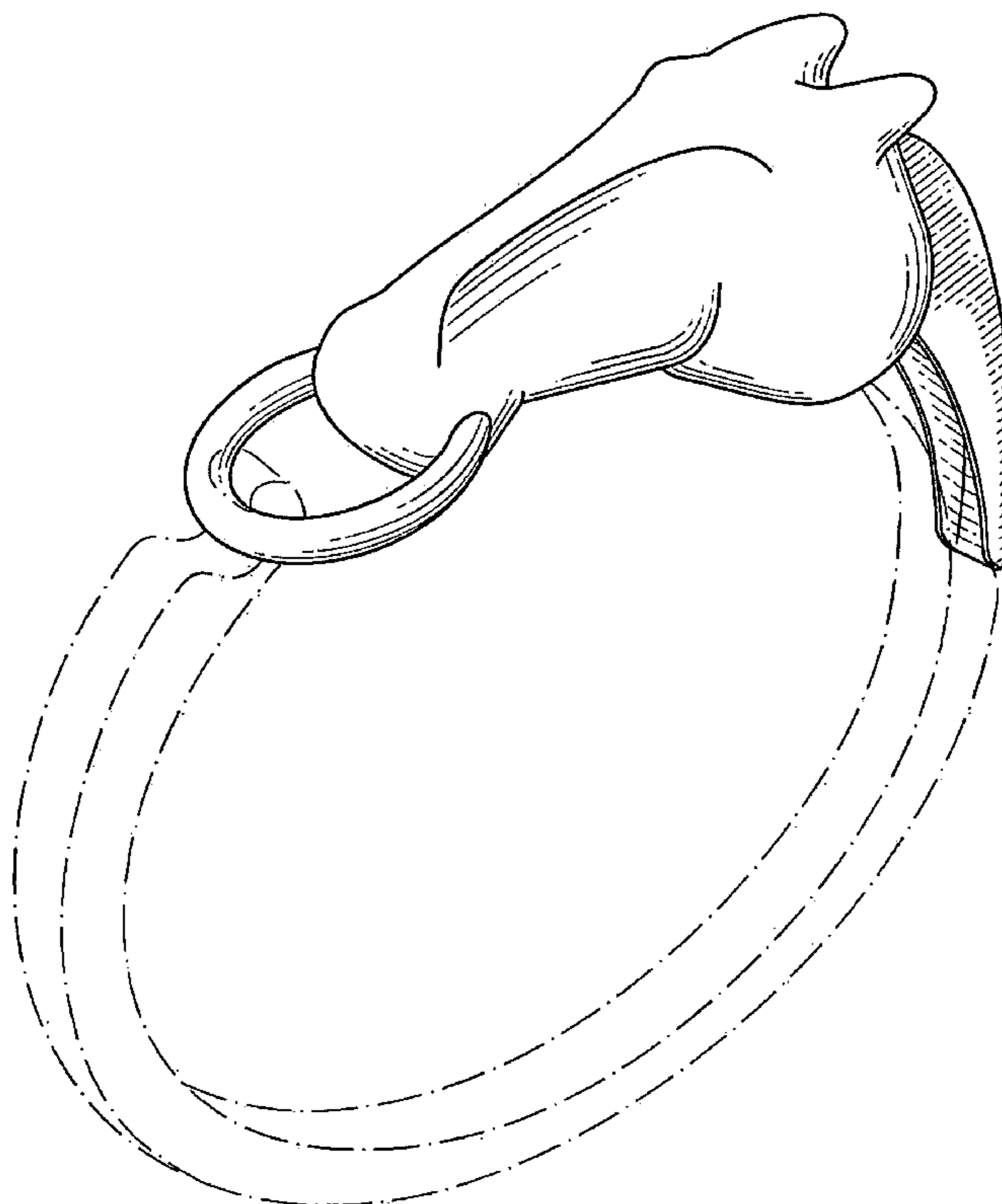
(57) **CLAIM**

The ornamental design for a bracelet clasp, as shown and described.

**DESCRIPTION**

FIG. 1 is a front view of a bracelet clasp of the claimed design; FIG. 2 is a rear view of the bracelet clasp shown in FIG. 1; FIG. 3 is a left side view of the bracelet clasp shown in FIG. 1; FIG. 4 is a right side view of the bracelet clasp shown in FIG. 1; FIG. 5 is a top view of the bracelet clasp shown in FIG. 1; FIG. 6 is a bottom view of the bracelet clasp shown in FIG. 1; FIG. 7 is a perspective view of the bracelet clasp shown in FIG. 1 in a closed position; and, FIG. 8 is a perspective view of the bracelet clasp shown in FIG. 1 in an open position. The broken lines in the drawing are for illustrative purposes only and form no part of the claimed design.

**1 Claim, 7 Drawing Sheets**



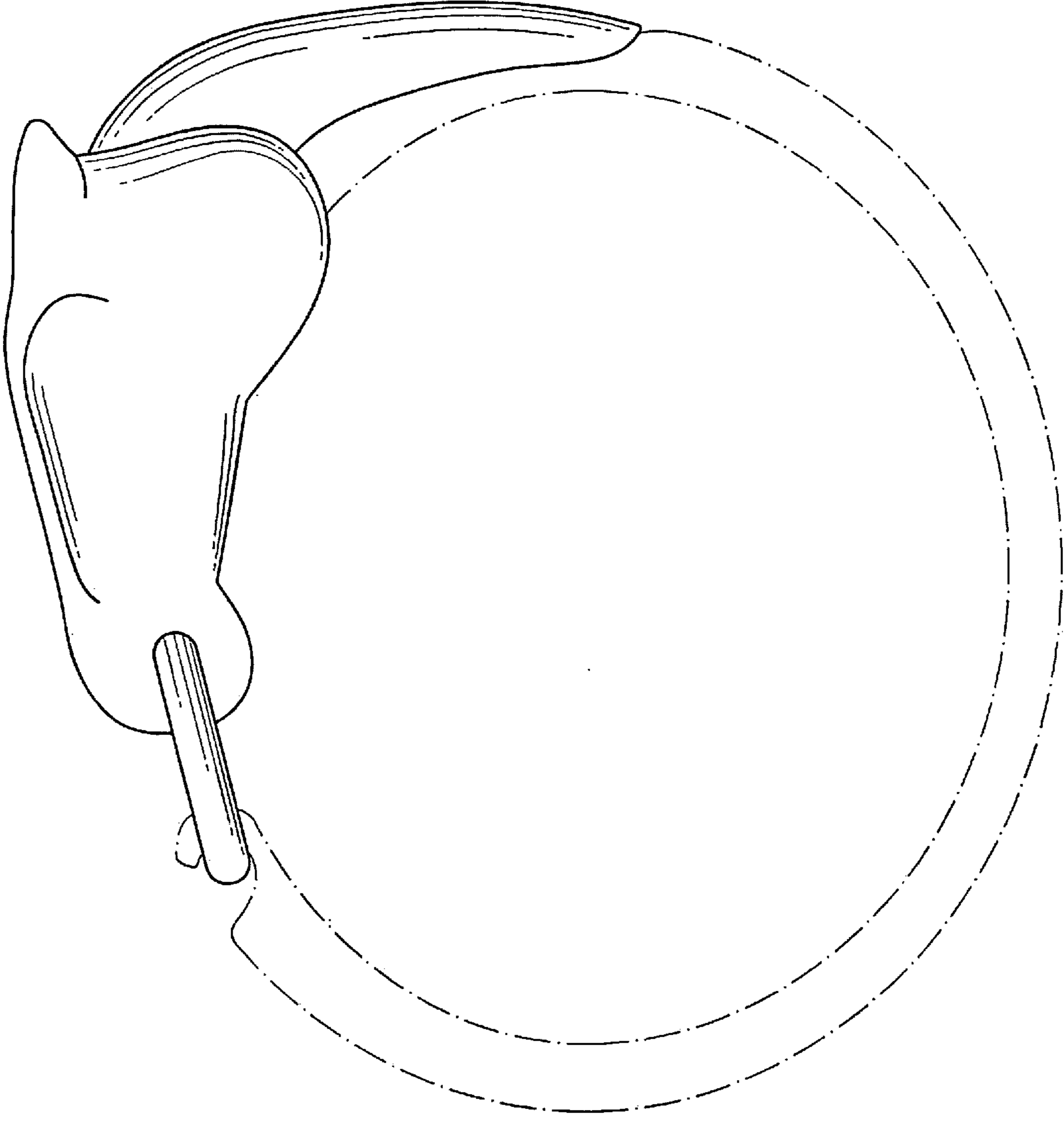


Fig. 1

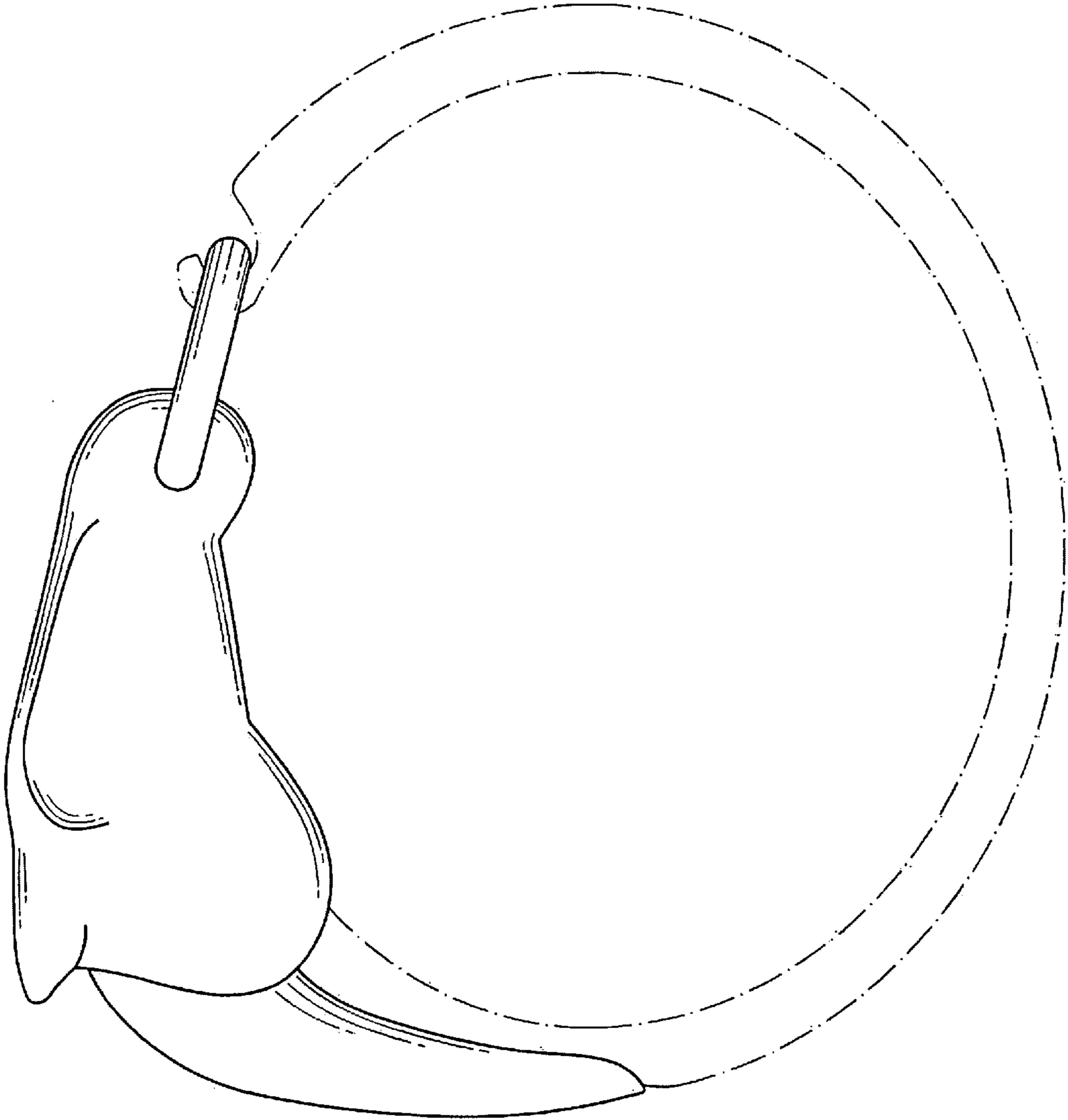


Fig. 2

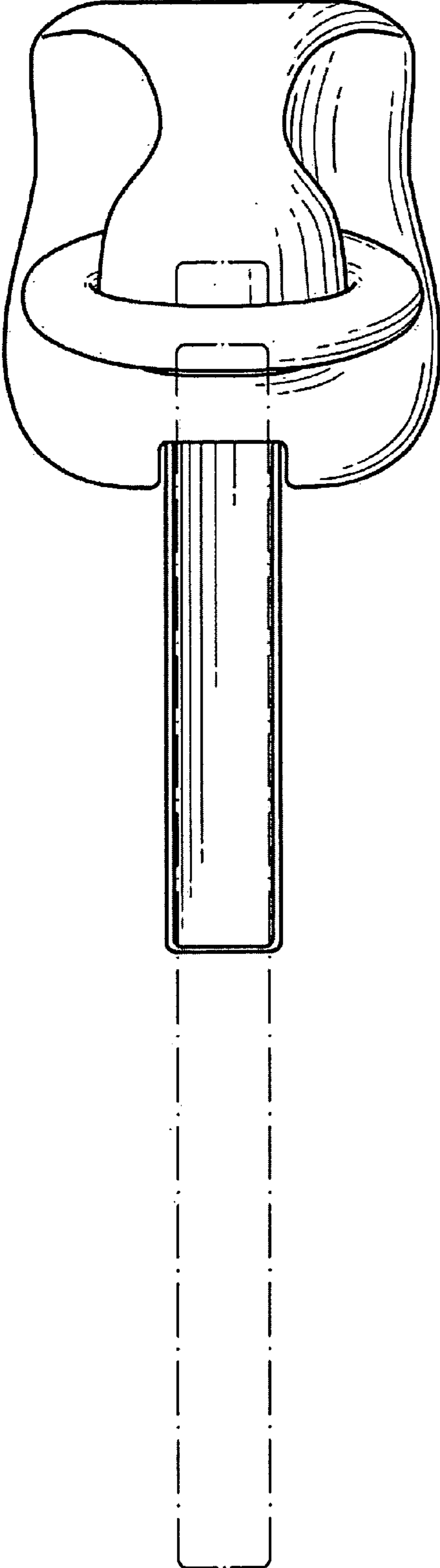


Fig. 3

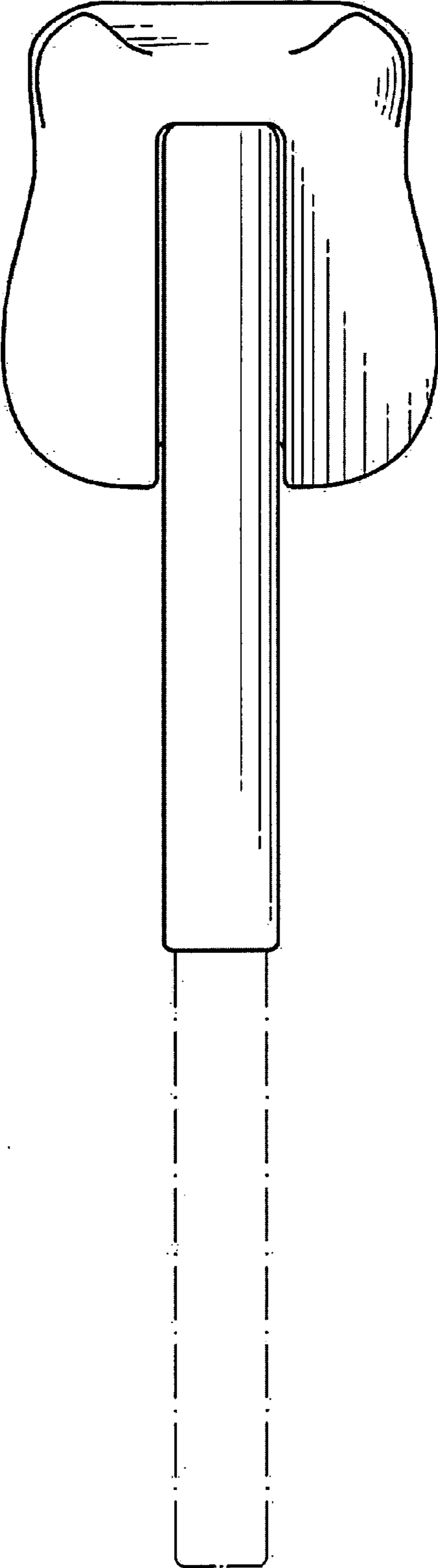


Fig. 4

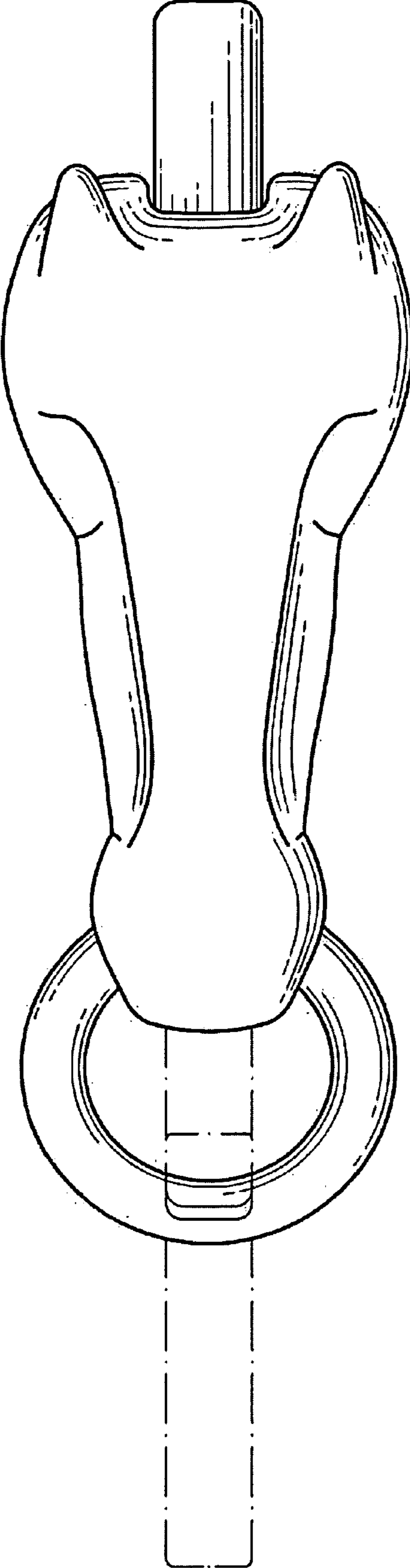


Fig. 5

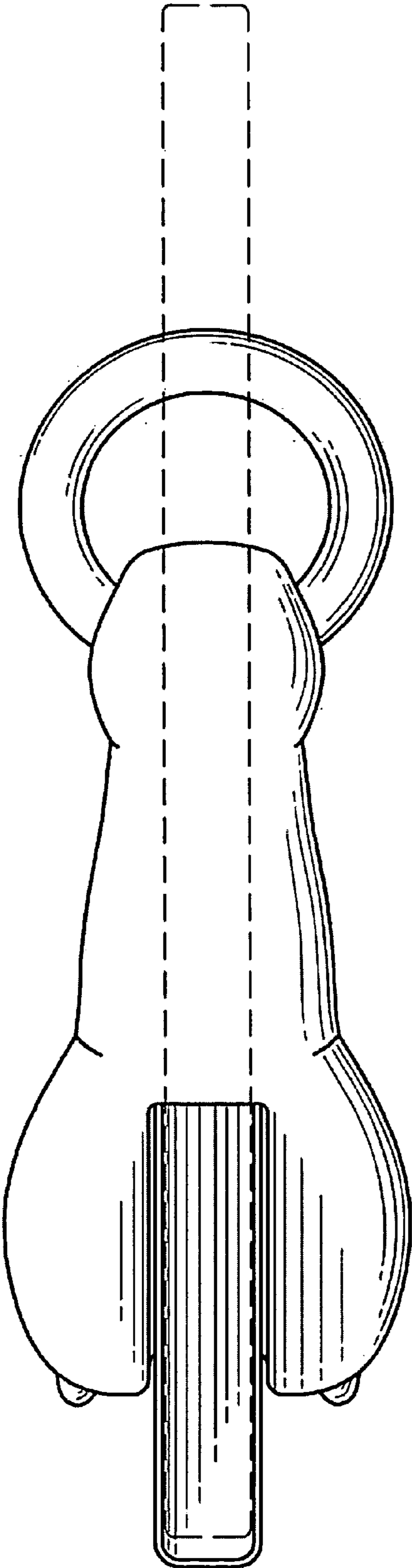


Fig. 6

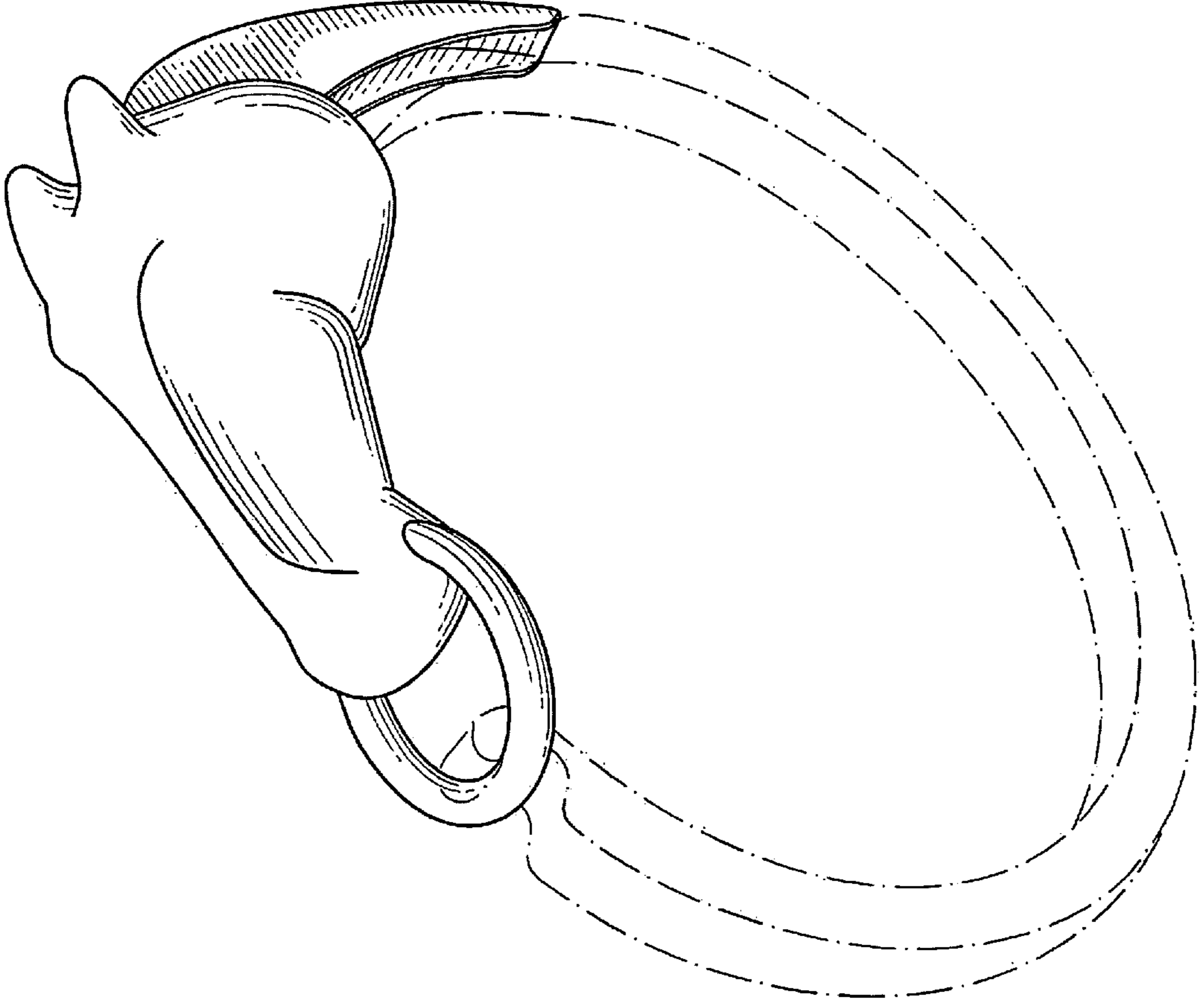


Fig. 7