



US00D690220S

(12) **United States Design Patent**
Huskinson

(10) **Patent No.:** **US D690,220 S**

(45) **Date of Patent:** **** Sep. 24, 2013**

(54) **CLASS RING WRAP**

(71) Applicant: **Emily M. Huskinson**, College Station,
TX (US)

(72) Inventor: **Emily M. Huskinson**, College Station,
TX (US)

(**) Term: **14 Years**

(21) Appl. No.: **29/448,764**

(22) Filed: **Mar. 13, 2013**

(51) **LOC (9) Cl.** **11-01**

(52) **U.S. Cl.**
USPC **D11/26**

(58) **Field of Classification Search**
USPC D11/2-6, 26-39; 63/3, 3.1, 3.2,
63/15, 15.1-15.4, 15.45, 15.5, 15.6, 15.65,
63/26-297

See application file for complete search history.

(56) **References Cited**

U.S. PATENT DOCUMENTS

1,178,186	A *	4/1916	Spaney	63/15.4
D154,994	S *	8/1949	Dampitz	D11/34
D264,827	S *	6/1982	Cunningham	D11/34
5,253,490	A *	10/1993	Doganay	63/15.4
5,419,158	A *	5/1995	Sandberg et al.	63/15.4
D374,411	S *	10/1996	Ambar	D11/34
D377,769	S *	2/1997	Roemer	D11/26
5,682,768	A *	11/1997	Nissenbaum	63/15.1

5,727,399	A *	3/1998	Bergagnini	63/15.4
6,131,408	A *	10/2000	Gill	63/15.8
D438,486	S *	3/2001	Ghemati	D11/26
D449,245	S *	10/2001	Ambar	D11/36
D490,338	S *	5/2004	Hurwitz	D11/34
D525,555	S *	7/2006	Sandberg	D11/34
D615,446	S *	5/2010	Vagal	D11/34
D647,419	S *	10/2011	Wong	D11/34
D679,214	S *	4/2013	Huskinson	D11/26

* cited by examiner

Primary Examiner — Jennifer Rivard

Assistant Examiner — Melanie Pellegrini

(74) *Attorney, Agent, or Firm* — Douglas Baldwin

(57) **CLAIM**

I claim the ornamental design for a class ring wrap, as shown and described.

DESCRIPTION

FIG. 1 is a top and left side perspective view of a class ring wrap showing my new design;

FIG. 2 is a left side elevation view thereof, the right side elevational being identical;

FIG. 3 is a front elevational view thereof, the rear elevational view being identical;

FIG. 4 is a top plan view thereof; and,

FIG. 5 is a bottom plan view thereof.

The broken lines shown in the drawings illustrate portions of the class ring wrap and form no part of the claimed design.

1 Claim, 3 Drawing Sheets





FIG. 1

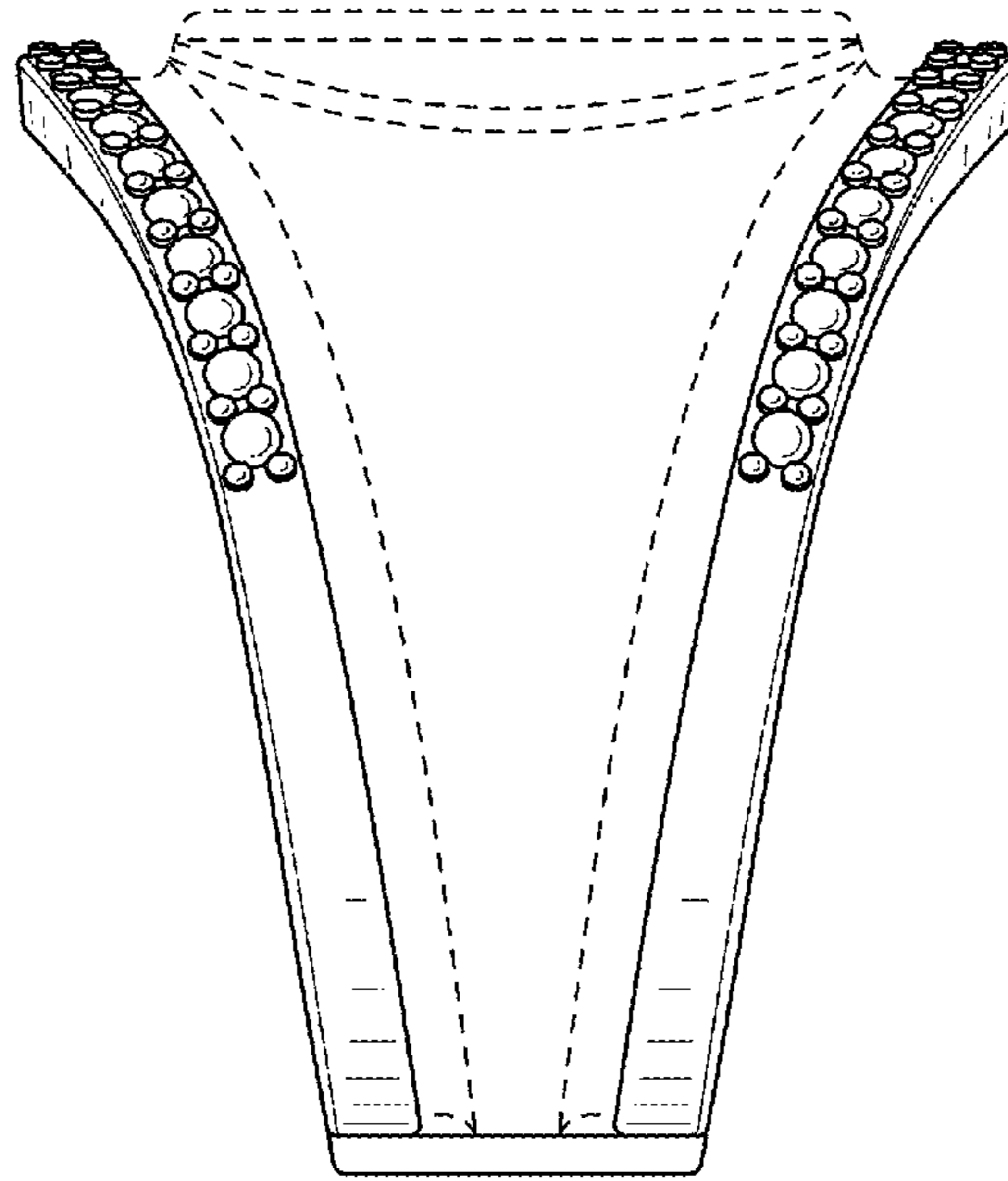


FIG. 2

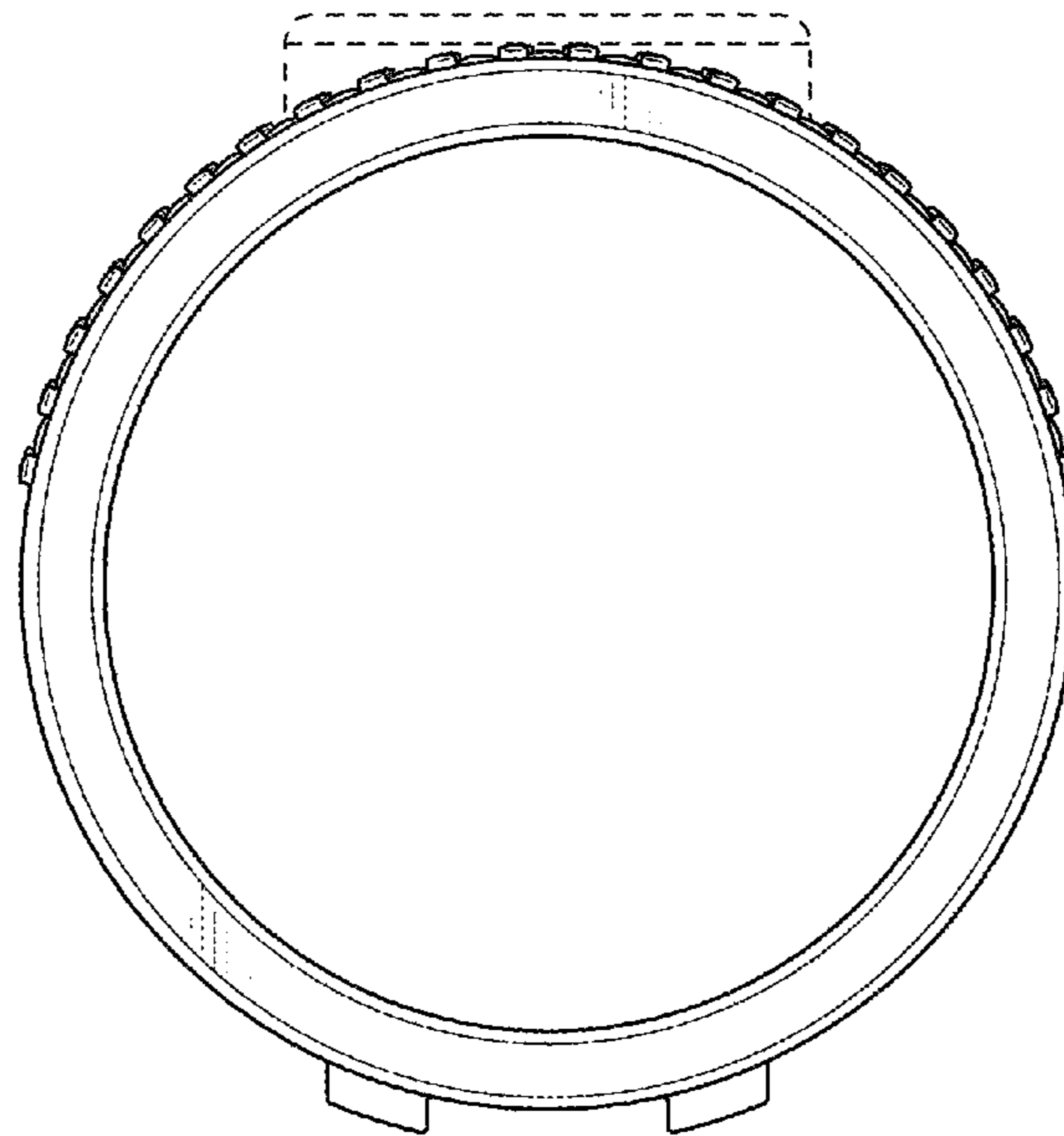


FIG. 3

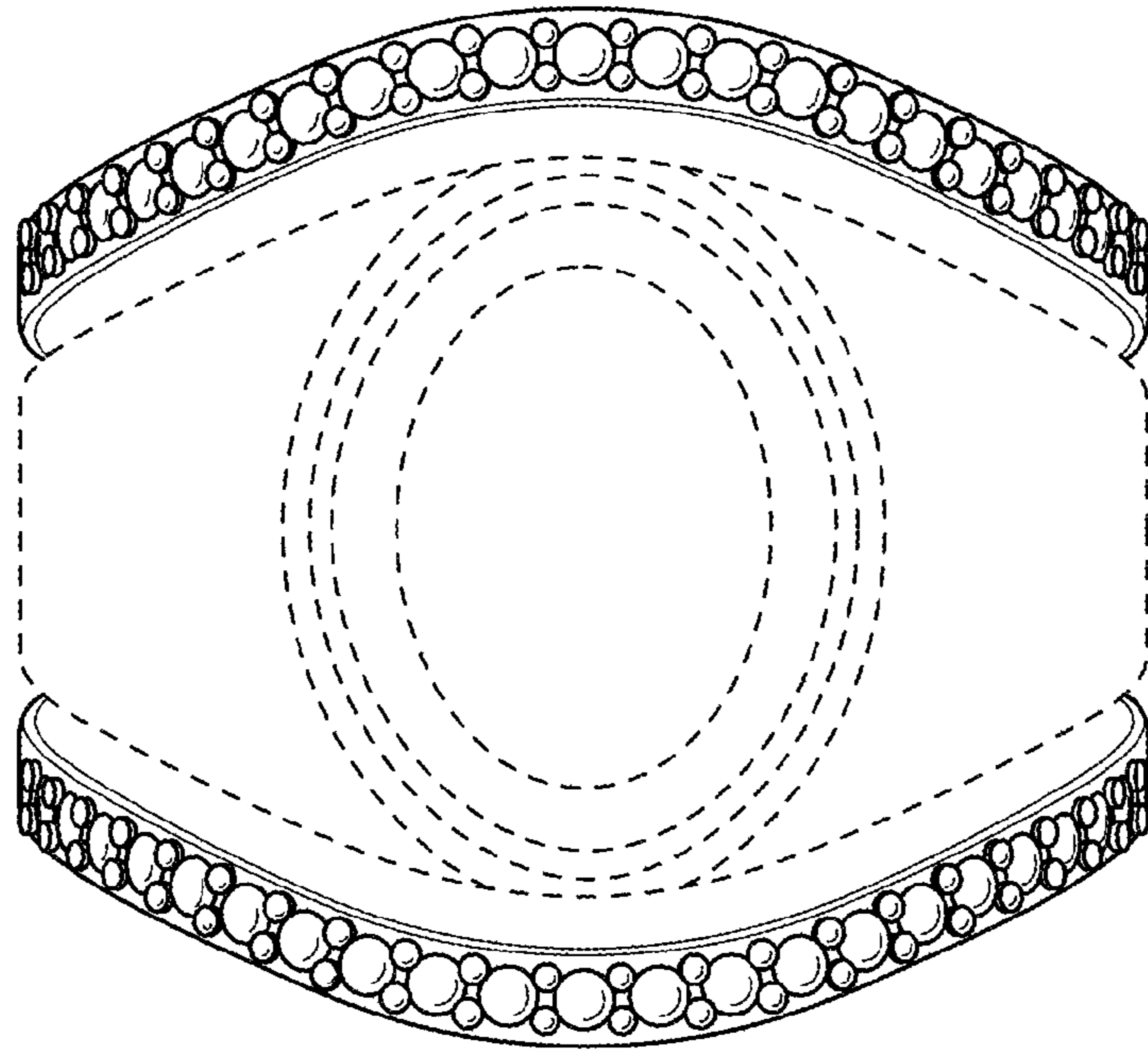


FIG. 4

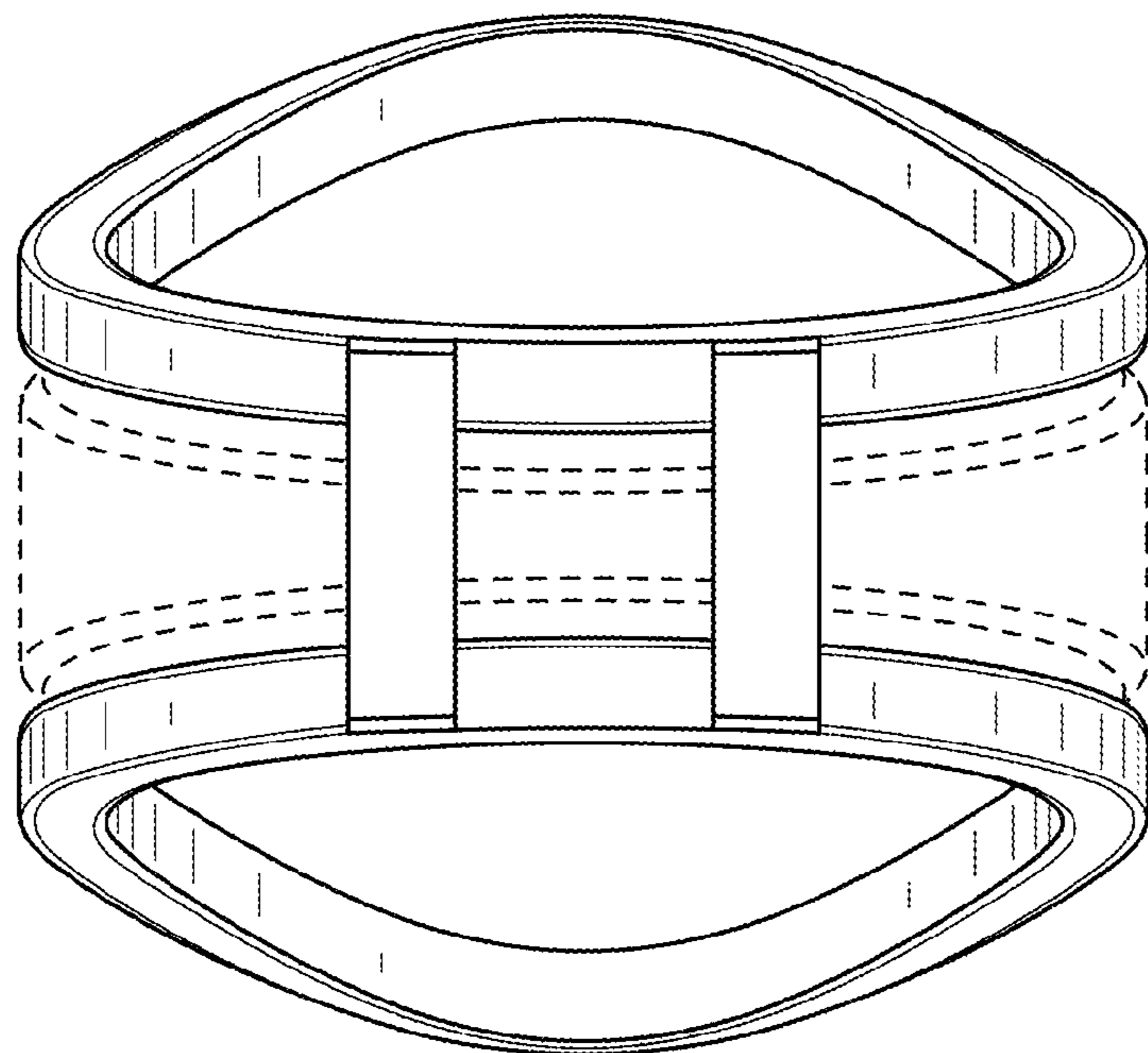


FIG. 5