



US00D690218S

(12) **United States Design Patent**
Cobbett et al.

(10) **Patent No.:** **US D690,218 S**

(45) **Date of Patent:** **** *Sep. 24, 2013**

(54) **WRISTBAND WITH ILLUMINATED FEATURES**

- (71) Applicant: **NIKE, Inc.**, Beaverton, OR (US)
- (72) Inventors: **Jamian R. Cobbett**, Portland, OR (US); **Steve Jarvis**, Portland, OR (US); **Kyle Schepke**, Portland, OR (US); **Michel Alvarez**, Miami Beach, FL (US); **Chris Harsacky**, San Francisco, CA (US); **Anh Nguyen**, San Mateo, CA (US); **Andrew Roberts**, San Francisco, CA (US); **Kyle Swen**, San Carlos, CA (US); **William D. Webb**, San Francisco, CA (US)
- (73) Assignee: **NIKE, Inc.**, Beaverton, OR (US)
- (*) Notice: This patent is subject to a terminal disclaimer.
- (**) Term: **14 Years**
- (21) Appl. No.: **29/447,670**
- (22) Filed: **Mar. 5, 2013**

Related U.S. Application Data

- (63) Continuation of application No. 29/419,619, filed on Apr. 30, 2012, now Pat. No. Des. 677,190.
- (51) **LOC (9) Cl.** **11-01**
- (52) **U.S. Cl.**
USPC **D11/3**
- (58) **Field of Classification Search**
USPC D11/1-39; 63/3, 3.1, 3.2, 5, 15.1-15.4, 63/15.45, 15.5, 15.6, 15.65, 15.7, 26-28; D10/30, 31, 32; D13/180; D26/2, 85, 118, D26/120, 128

See application file for complete search history.

(56) **References Cited**

U.S. PATENT DOCUMENTS

2,189,096 A	2/1940	Vera Alonge
D262,527 S	1/1982	Goldberg
D263,869 S	4/1982	Sumiyasu
D293,561 S	1/1988	Bulgari
5,218,577 A	6/1993	Seager
D353,781 S	12/1994	Braisted
D355,858 S	2/1995	Sugita
D356,433 S	3/1995	Humphrey
5,418,760 A	5/1995	Kawashima et al.
D380,699 S	7/1997	Kaufmann

(Continued)

OTHER PUBLICATIONS

The Retsu by Saishin, 1 color page included, disclosure date unknown but prior to filing date of the instant application.

(Continued)

Primary Examiner — Cathron Brooks

Assistant Examiner — Melanie Pellegrini

(74) *Attorney, Agent, or Firm* — Banner & Witcoff, Ltd.

(57) **CLAIM**

The ornamental design for a wristband with illuminated features, as shown and described.

DESCRIPTION

FIG. 1 is a front perspective view of a wristband with illuminated features showing our new design;

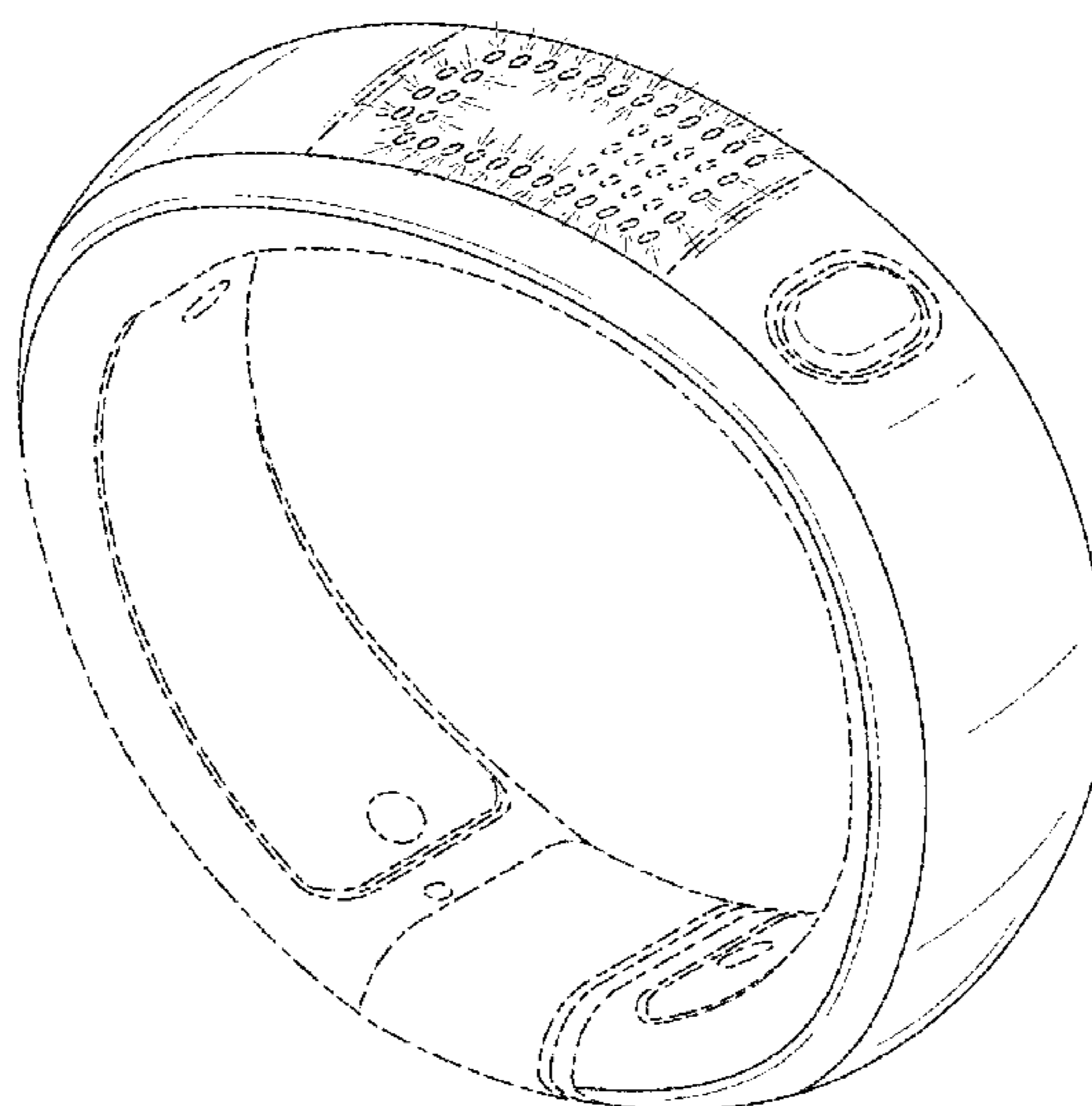
FIG. 2 is a front view thereof;

FIG. 3 is a front perspective view of the wristband of FIGS. 1-2 depicted without radiating lines for clarity; and,

FIG. 4 is a front view thereof.

The twelve unshaded circular regions within claimed area, demarcated by broken lines, form no part of the claimed design. The broken lines showing the remainder of the wristband are for environmental purposes only and form no part of the claimed design. The circular regions in the claimed area with radiating lines represent illuminated features.

1 Claim, 2 Drawing Sheets



(56)

References Cited

U.S. PATENT DOCUMENTS

D392,585 S 3/1998 Kohl
 D402,645 S 12/1998 Garguilo
 D426,637 S 6/2000 Ochi et al.
 6,158,884 A 12/2000 Lebby et al.
 D460,430 S 7/2002 Wada et al.
 D466,487 S 12/2002 Wada et al.
 D466,488 S 12/2002 Wada et al.
 D468,648 S 1/2003 Starck
 D471,471 S 3/2003 Fu et al.
 D473,155 S 4/2003 Bonnet
 6,775,205 B1 8/2004 Sporn
 D495,611 S 9/2004 Jørgensen
 D511,309 S 11/2005 Hardy
 D533,085 S 12/2006 Mourgue
 D539,670 S 4/2007 Behling
 D543,192 S 5/2007 Jung
 D545,232 S 6/2007 Waldman
 D548,128 S 8/2007 Andren et al.
 D549,221 S 8/2007 Yagi
 D550,112 S 9/2007 Andren et al.
 D553,536 S 10/2007 Andren et al.
 D554,004 S 10/2007 Kraft
 D556,194 S 11/2007 Rambosek et al.
 D558,198 S 12/2007 Blankenship et al.
 D560,134 S 1/2008 Chen
 D562,175 S 2/2008 Miller
 D564,367 S 3/2008 Molyneux
 D565,427 S 4/2008 Ellner et al.
 D567,227 S 4/2008 Hada
 D567,676 S 4/2008 Tang
 D568,768 S 5/2008 Tang
 D571,684 S 6/2008 Kim et al.
 D576,501 S 9/2008 Tang
 D576,908 S 9/2008 Gruenke
 D580,277 S 11/2008 Brady et al.
 D583,815 S 12/2008 Giovannoni
 D589,374 S 3/2009 Tang

D597,881 S 8/2009 Hou
 D600,570 S 9/2009 Zinder
 D600,571 S 9/2009 Singer
 D603,741 S 11/2009 Waldman
 D604,654 S 11/2009 Calvani
 D606,423 S 12/2009 Mille
 D607,362 S 1/2010 Graff
 D608,236 S 1/2010 Akdemir
 D611,357 S 3/2010 Giroud
 D621,726 S 8/2010 Lattmann
 D626,435 S 11/2010 Tanaka et al.
 D633,085 S 2/2011 Chiu
 D633,399 S 3/2011 Zinder
 D638,723 S 5/2011 Ong
 D640,367 S 6/2011 Lin et al.
 D643,428 S 8/2011 Janky et al.
 8,028,413 B2 10/2011 Miller
 D651,535 S 1/2012 Rodarmel
 D656,615 S 3/2012 Tzeng
 D659,580 S 5/2012 Veit
 D661,275 S 6/2012 Roka
 D664,880 S 8/2012 Cobbett et al.
 D664,881 S 8/2012 Cobbett et al.
 D664,882 S 8/2012 Cobbett et al.
 D669,382 S 10/2012 Alvarez et al.
 D669,383 S 10/2012 Cobbett et al.
 D669,384 S 10/2012 Alvarez et al.
 D671,858 S 12/2012 Cobbett et al.
 D677,190 S * 3/2013 Cobbett et al. D11/3
 D680,020 S * 4/2013 Cobbett et al. D11/3
 2005/0237704 A1 10/2005 Ceresoli
 2008/0236195 A1 10/2008 Woebke
 2009/0133438 A1 5/2009 Stampfli et al.

OTHER PUBLICATIONS

Various LED watches, 32 color pages included, disclosure date unknown but prior to filing date of the instant application.

* cited by examiner

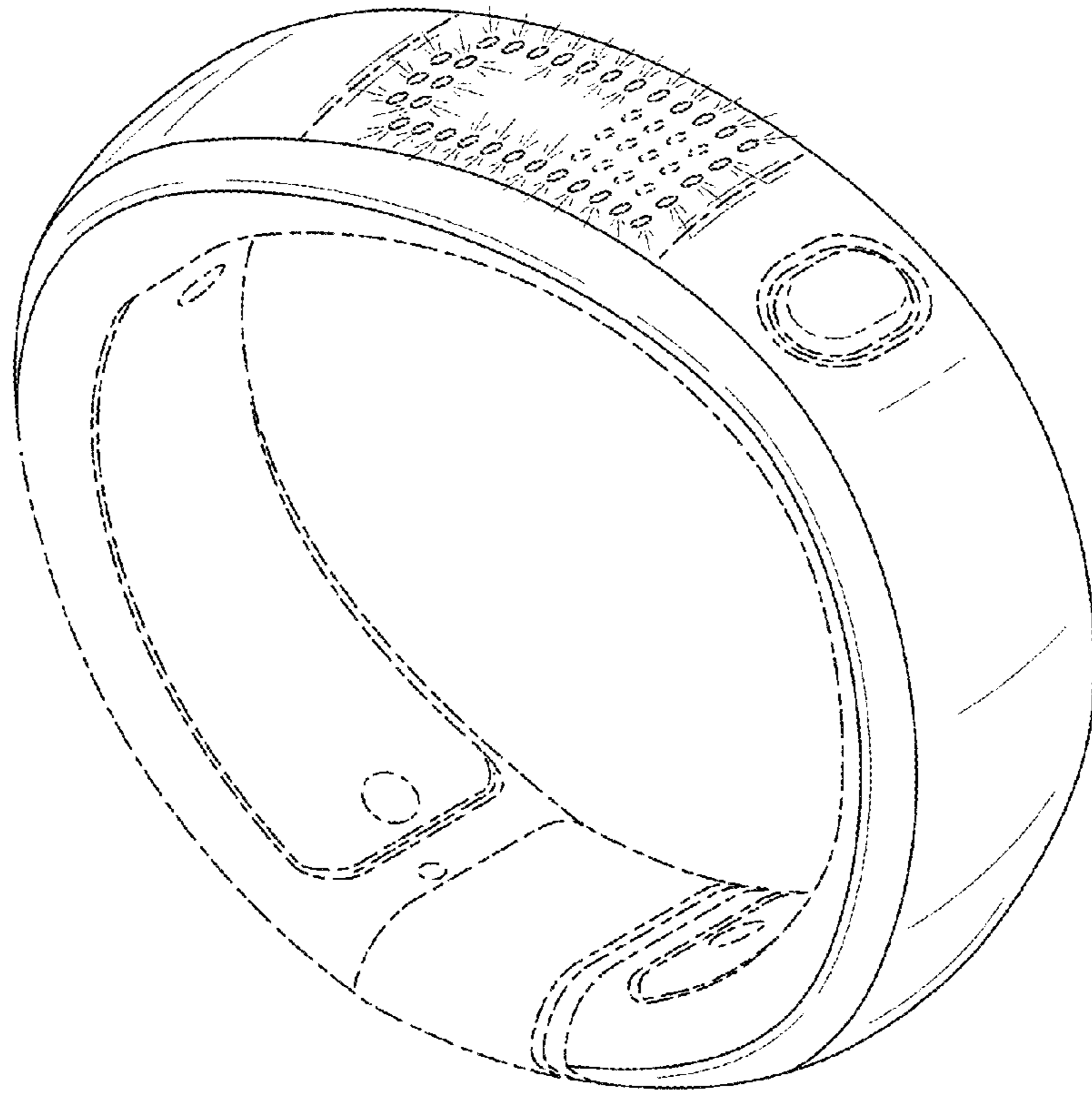


FIG. 1

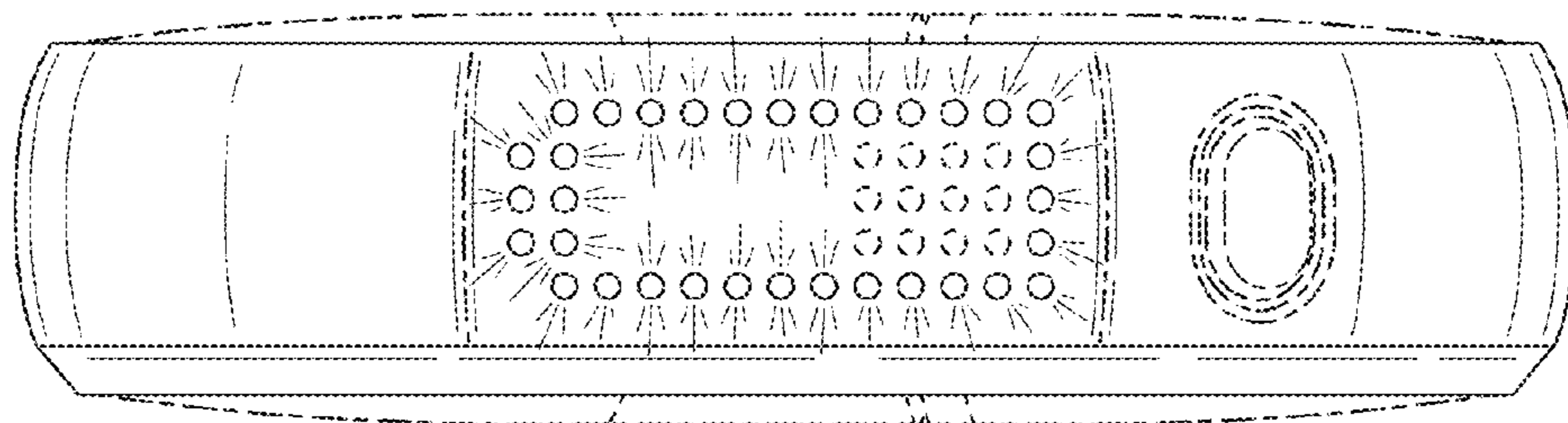


FIG. 2

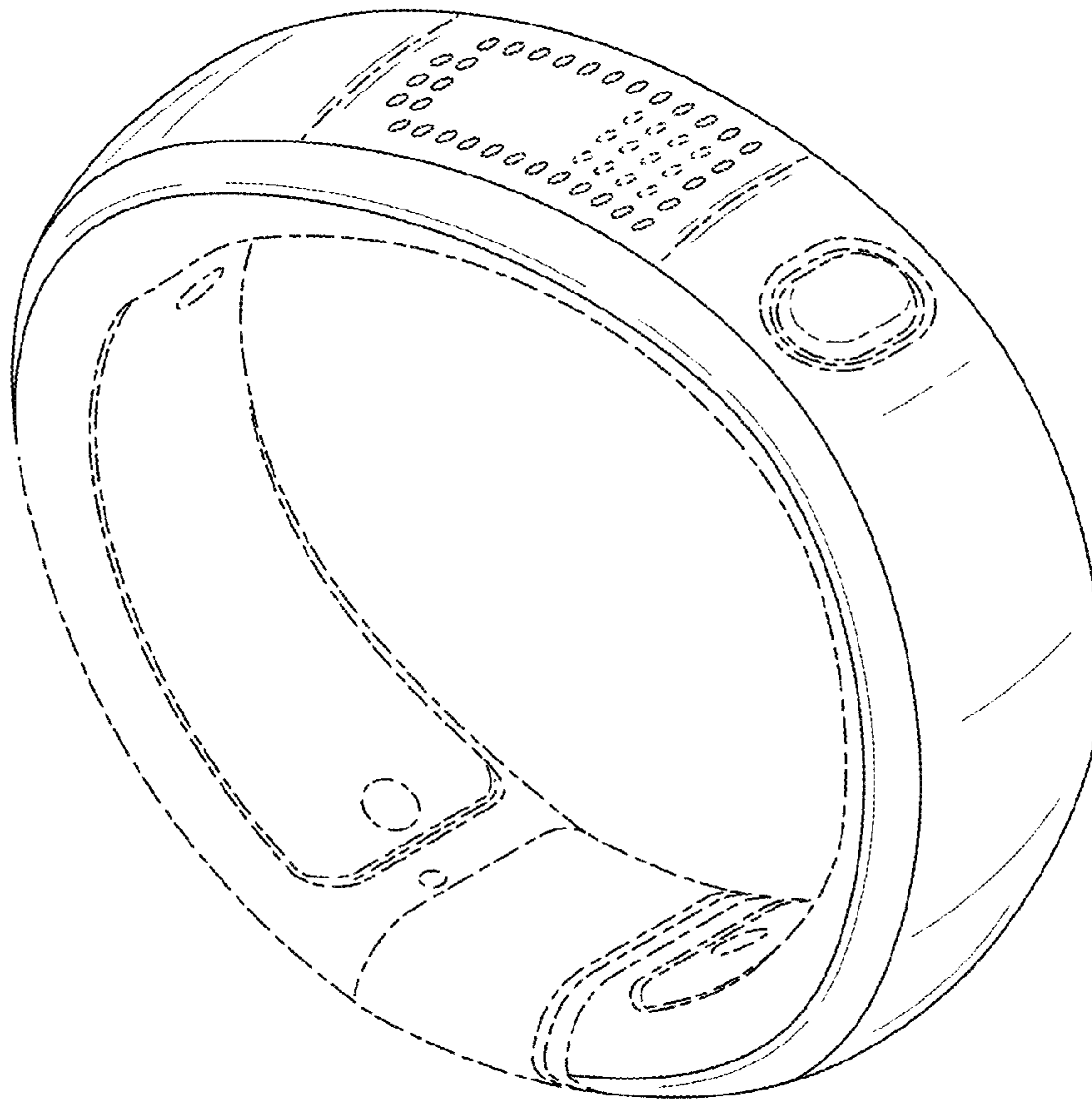


FIG. 3

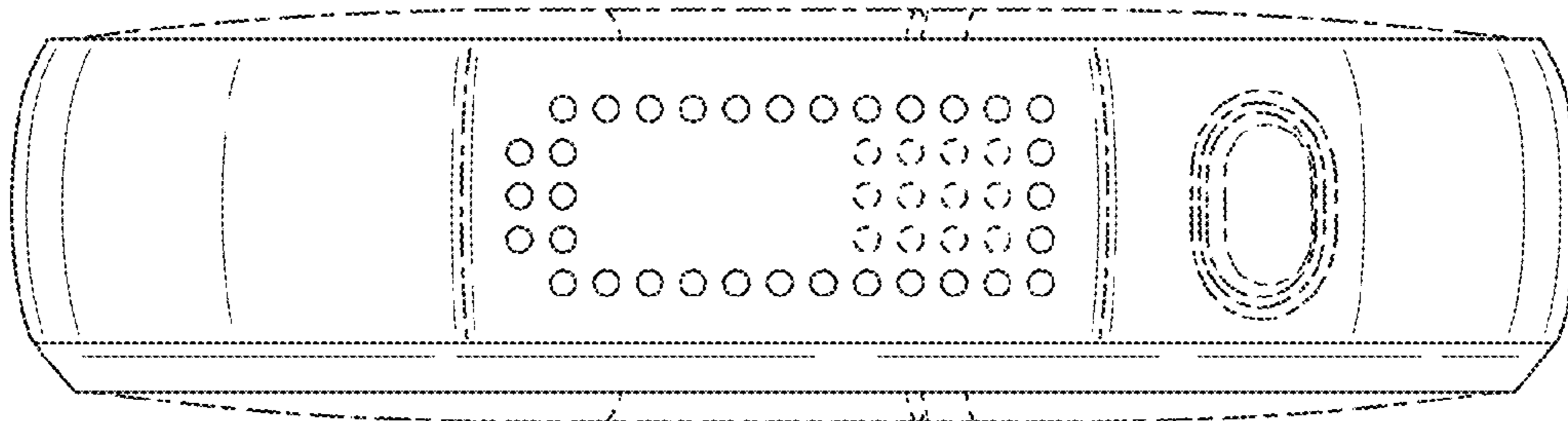


FIG. 4