



US00D690215S

(12) **United States Design Patent**  
**Matuschek et al.**

(10) **Patent No.:** **US D690,215 S**

(45) **Date of Patent:** **\*\* Sep. 24, 2013**

(54) **LASER DISTANCE MEASUREMENT DEVICE**

(56) **References Cited**

(75) Inventors: **Walter Matuschek**, Aalen (DE);  
**Graham Keevy**, Aalen (DE)

U.S. PATENT DOCUMENTS

D578,909 S 10/2008 Chung et al.  
D670,582 S \* 11/2012 Matuschek et al. .... D10/70

(73) Assignee: **Hilti Aktiengesellschaft**, Schaan (LI)

\* cited by examiner

(\*\*) Term: **14 Years**

*Primary Examiner* — Antoine D Davis

(21) Appl. No.: **29/431,932**

(74) *Attorney, Agent, or Firm* — Crowell & Moring LLP

(22) Filed: **Sep. 12, 2012**

(57) **CLAIM**

The ornamental design for a laser distance measurement device, as shown and described.

**Related U.S. Application Data**

(62) Division of application No. 29/393,485, filed on Jun. 6, 2011, now Pat. No. Des. 670,581.

**DESCRIPTION**

(30) **Foreign Application Priority Data**

Dec. 7, 2010 (WO) ..... DM/074 987

This application contains subject matter related to the following co-pending U.S. design patent application:

(51) **LOC (9) Cl.** ..... **10-04**

Application Ser. No. 29/393,486, filed Jun. 6, 2011 and entitled "Laser Distance Measurement Device."

(52) **U.S. Cl.**

FIG. 1 is a left, front perspective view of a laser distance measurement device according to our design, the right, front perspective view being mirror symmetrical;

USPC ..... **D10/70; D10/103**

FIG. 2 is a front view thereof; and,

(58) **Field of Classification Search**

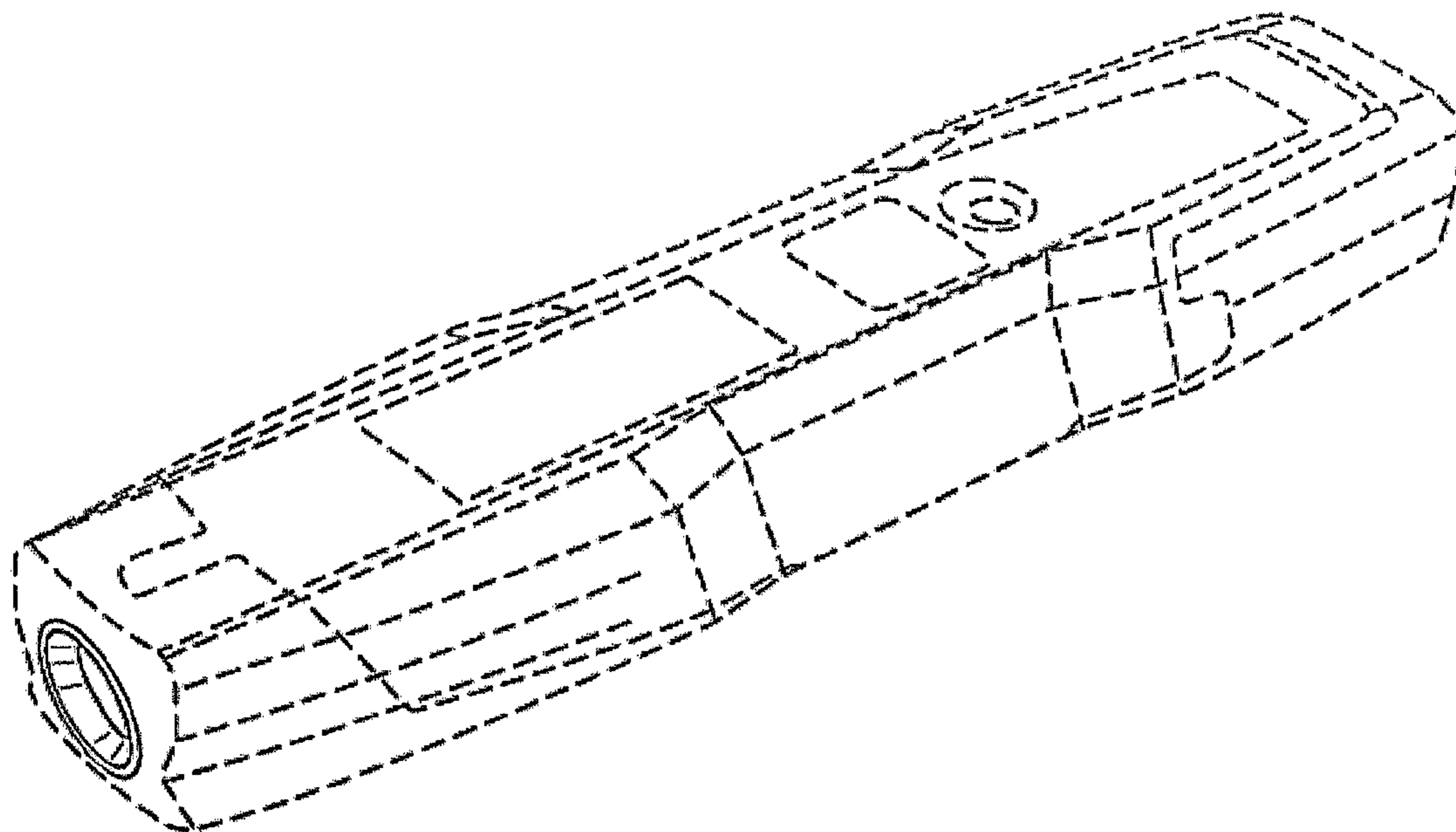
USPC ..... D10/78, 70, 103; 324/72.5, 556, 324/133, 149, 503, 543, 555, 66, 72, 754, 324/115, 141; 340/635, 687; 73/597, 615, 73/624, 627, 644; 356/3.01-5.15

FIG. 3 is a front, top perspective view thereof.

The broken lines are for illustrative purposes only and form no part of the claimed design.

See application file for complete search history.

**1 Claim, 3 Drawing Sheets**



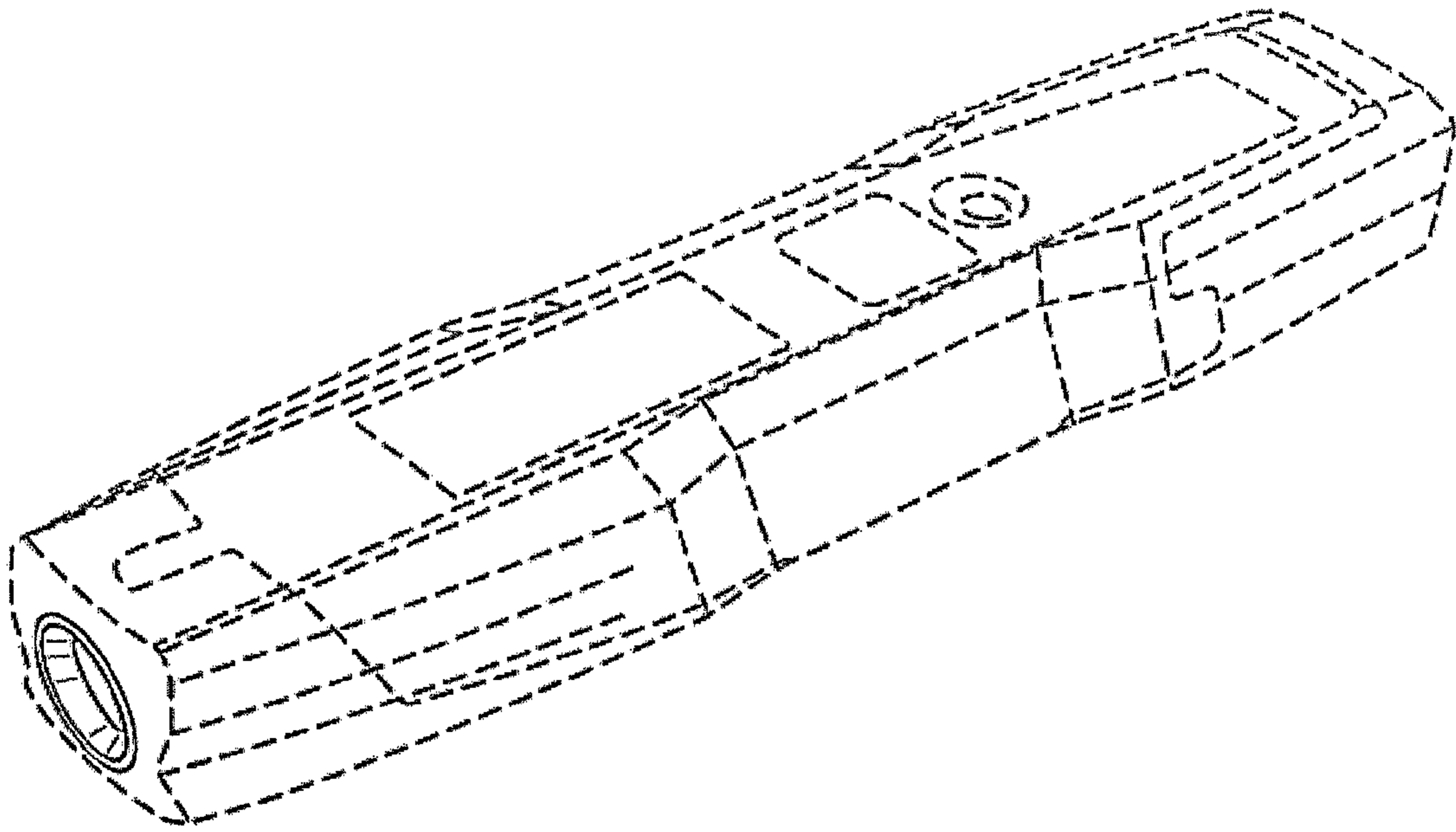


FIG. 1

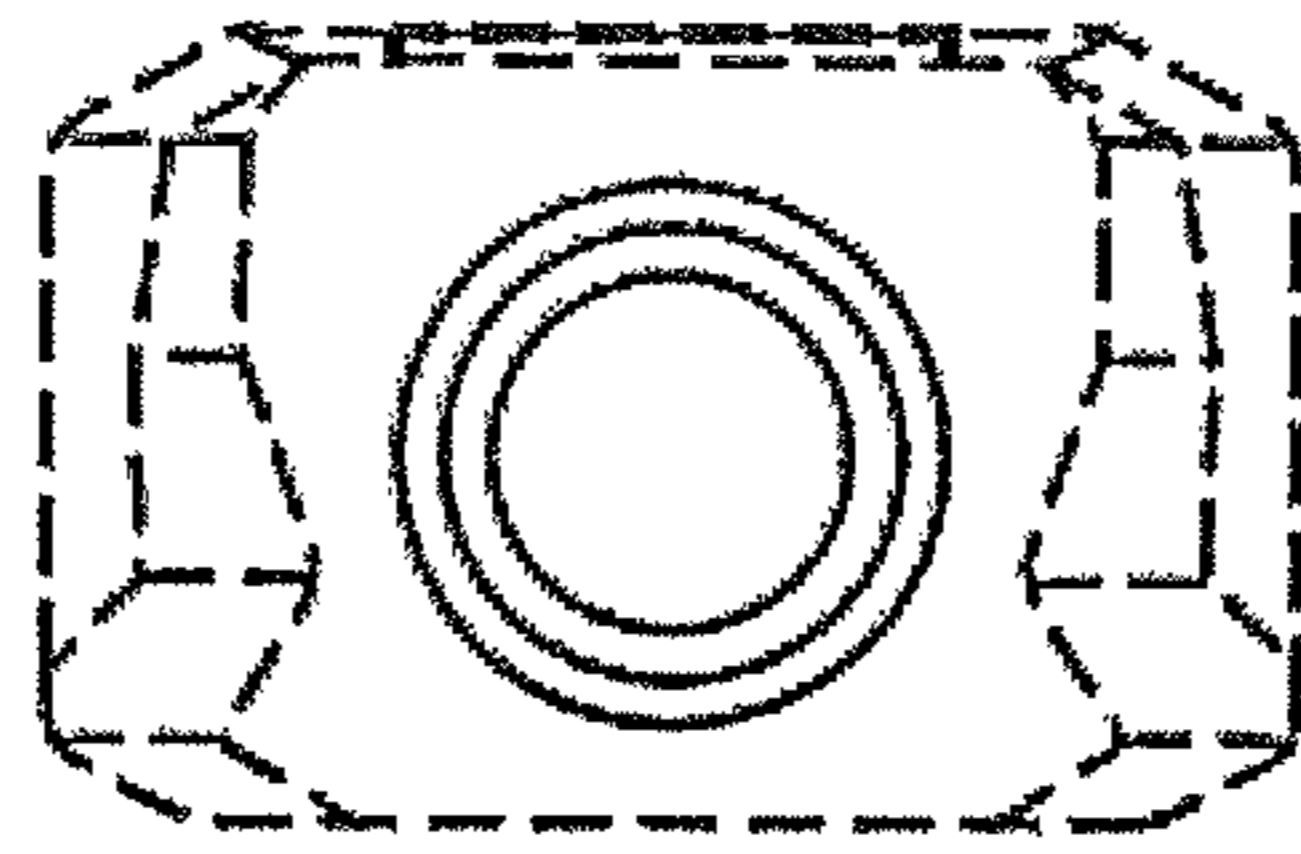


FIG. 2

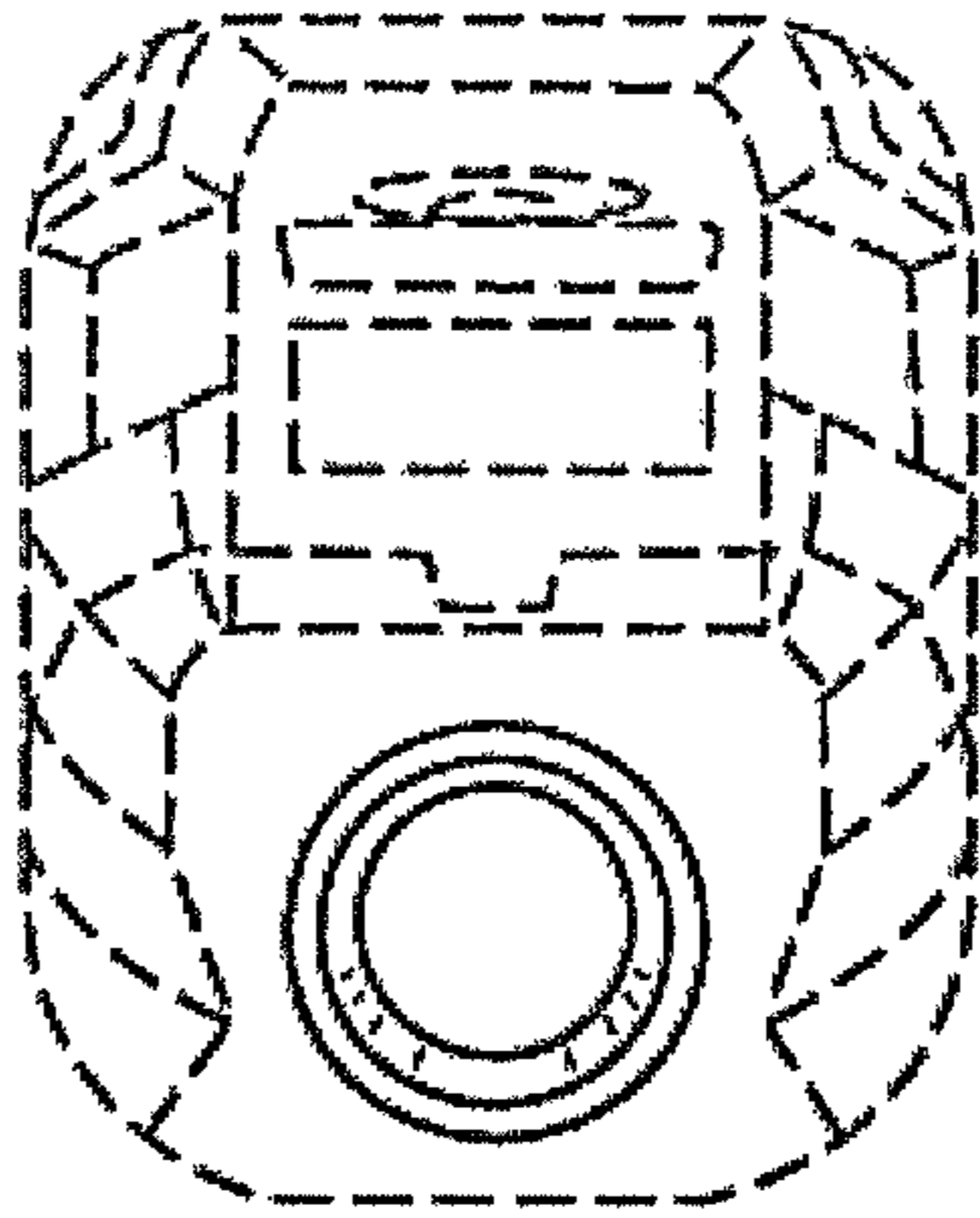


FIG. 3