



US00D690213S

(12) **United States Design Patent**
Walsh et al.

(10) **Patent No.:** **US D690,213 S**

(45) **Date of Patent:** **** Sep. 24, 2013**

(54) **CONTROL HOUSING FOR A METAL DETECTOR**

(71) Applicants: **Thomas P. Walsh**, El Paso, TX (US);
John C. Griffin, Las Cruces, NM (US)

(72) Inventors: **Thomas P. Walsh**, El Paso, TX (US);
John C. Griffin, Las Cruces, NM (US)

(73) Assignee: **First Texas Products, LLC**, El Paso, TX (US)

(**) Term: **14 Years**

(21) Appl. No.: **29/437,583**

(22) Filed: **Nov. 19, 2012**

(51) **LOC (9) Cl.** **10-04**

(52) **U.S. Cl.**
USPC **D10/47**

(58) **Field of Classification Search**
USPC D10/47, 78; 250/336.1, 342, 504 H,
250/504 R; 324/67, 228, 232, 329, 326;
342/22, 52, 53, 459
See application file for complete search history.

(56) **References Cited**

U.S. PATENT DOCUMENTS

4,514,692	A	4/1985	Johnson et al.	
4,628,265	A	12/1986	Johnson et al.	
4,868,504	A	9/1989	Johnson	
D377,908	S	2/1997	Yue	
D486,080	S *	2/2004	Hu	D10/47
D533,792	S *	12/2006	Johnson et al.	D10/47
D605,956	S	12/2009	Hu	
7,940,049	B2 *	5/2011	Loubet	324/326
D652,330	S	1/2012	Arnold et al.	
8,248,056	B1 *	8/2012	Olsson et al.	324/67

OTHER PUBLICATIONS

First Texas Product, L.P.; Teknetics T2TM, Professional Metal Detector, Comprehensive Operating Manual and Guide to Metal Detecting; Jul. 13, 2009; 36 pages.

* cited by examiner

Primary Examiner — Antoine D Davis

(74) *Attorney, Agent, or Firm* — Faegre Baker Daniels LLP

(57) **CLAIM**

The ornamental design for the control housing for a metal detector, as shown and described.

DESCRIPTION

FIG. 1 is a perspective view of a control housing for a metal detector of one embodiment of the present invention, with other portions of an exemplary metal detector shown in broken lines;

FIG. 2 shows a bottom view of an control housing for a metal detector of FIG. 1;

FIG. 3 shows a top view of the control housing for a metal detector of FIGS. 1 and 2;

FIG. 4 shows a left side view of the control housing for a metal detector of FIGS. 1-3;

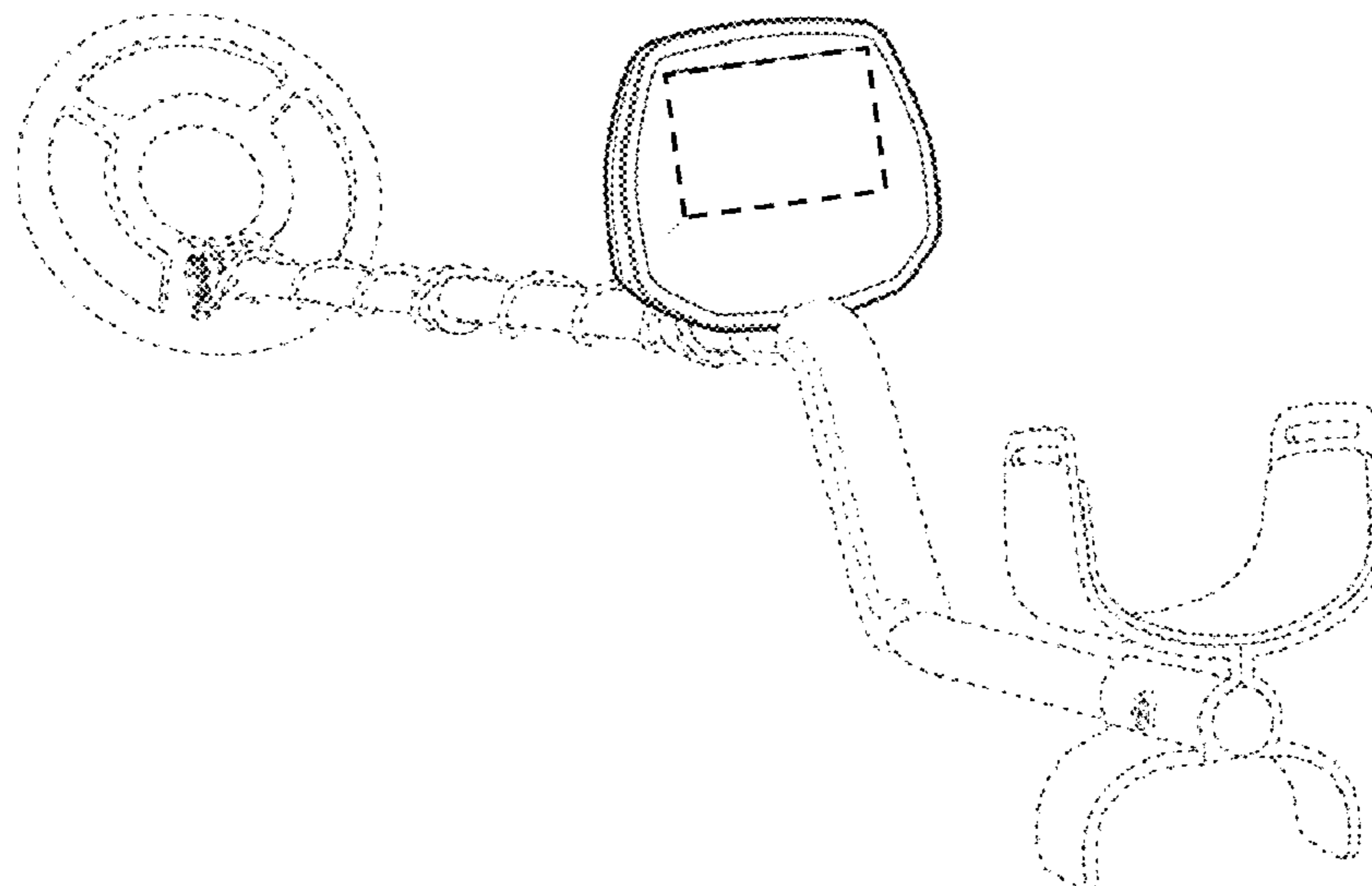
FIG. 5 shows a right side view of the control housing for a metal detector of FIGS. 1-3;

FIG. 6 shows a front view of the control housing for a metal detector of FIGS. 1-5; and,

FIG. 7 shows a rear view of the control housing for a metal detector of FIGS. 1-5.

The broken lines in the drawings show environmental structures that form no part of the design to be patented.

1 Claim, 4 Drawing Sheets



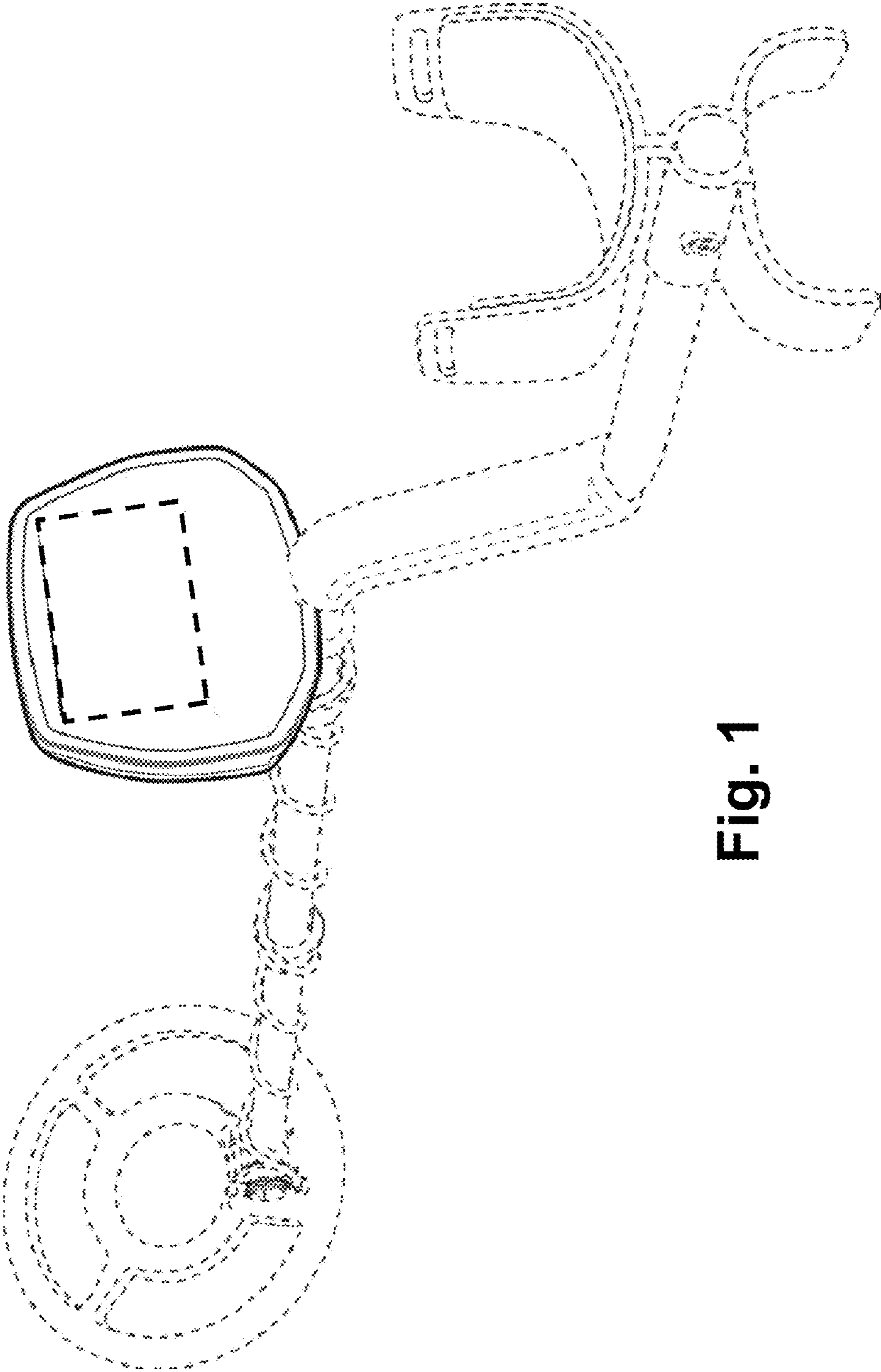


Fig. 1

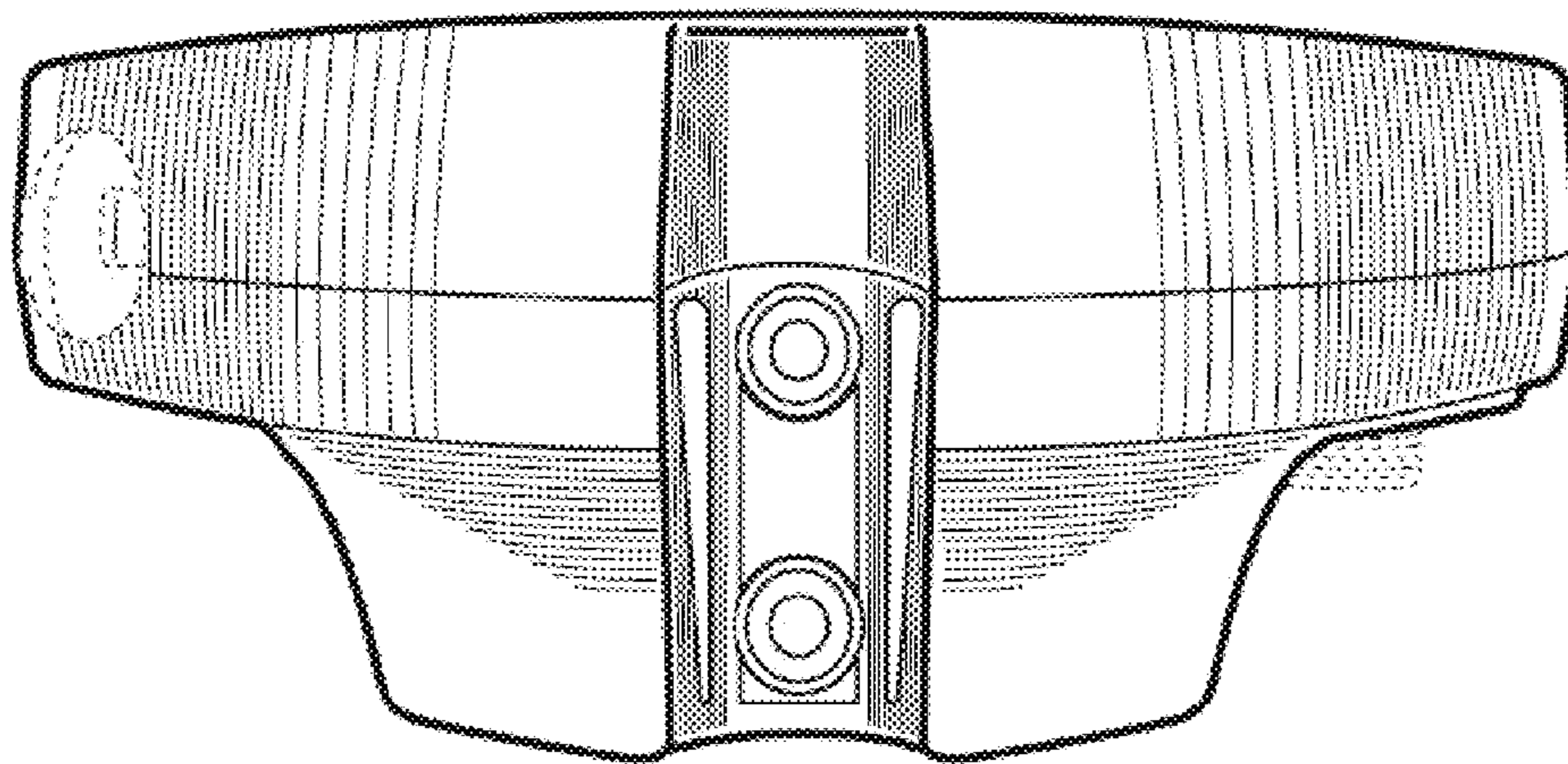


Fig. 2

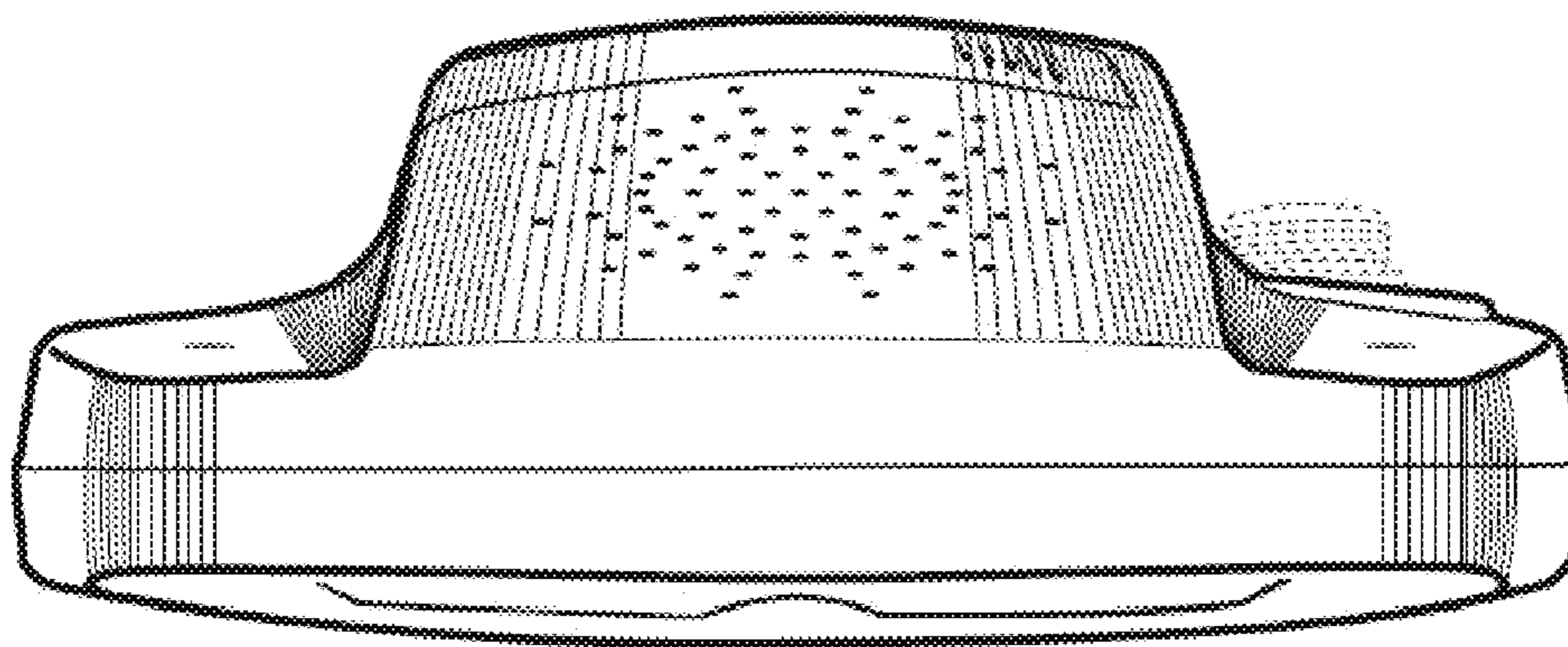


Fig. 3

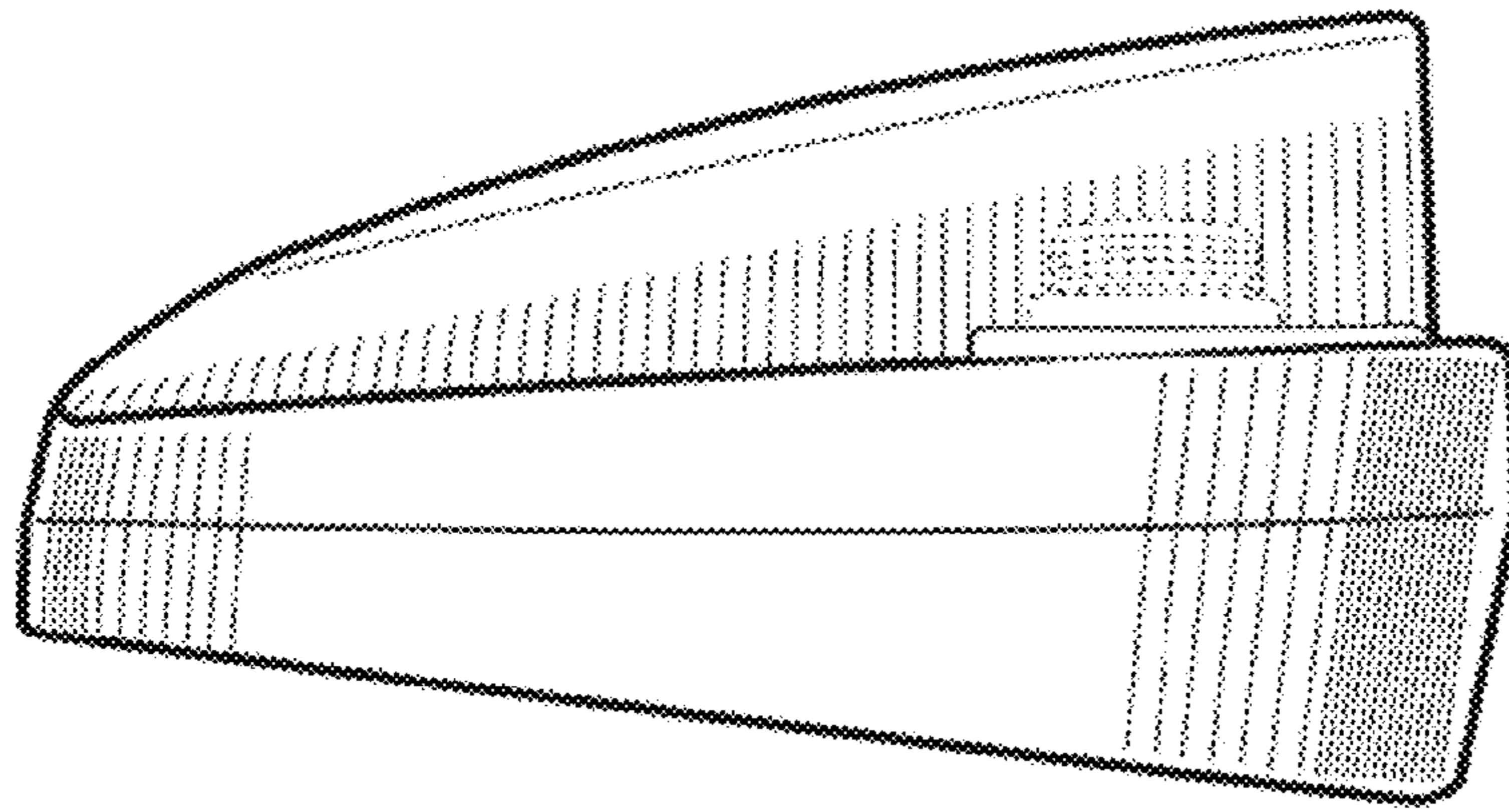


Fig. 5

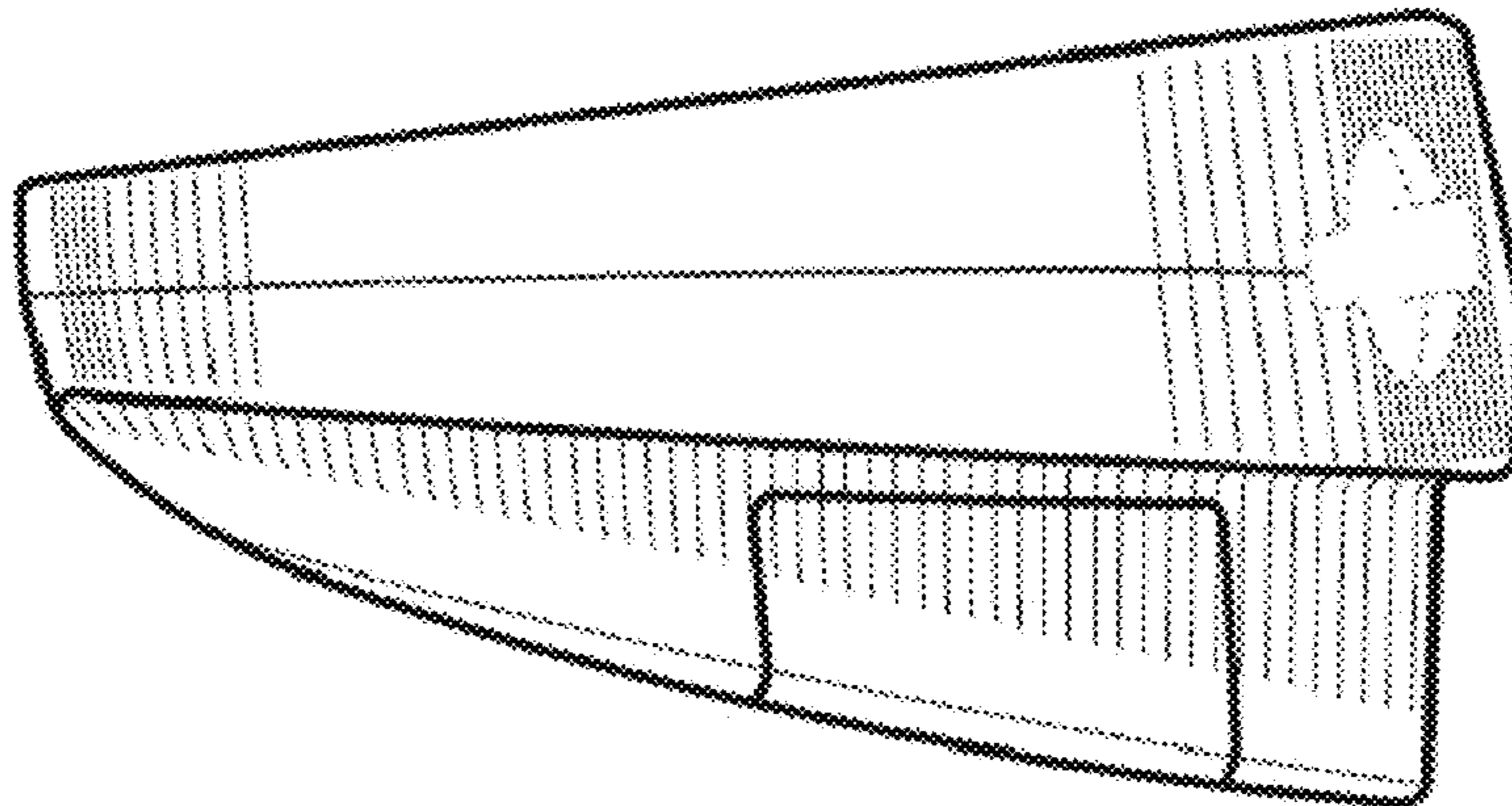


Fig. 4

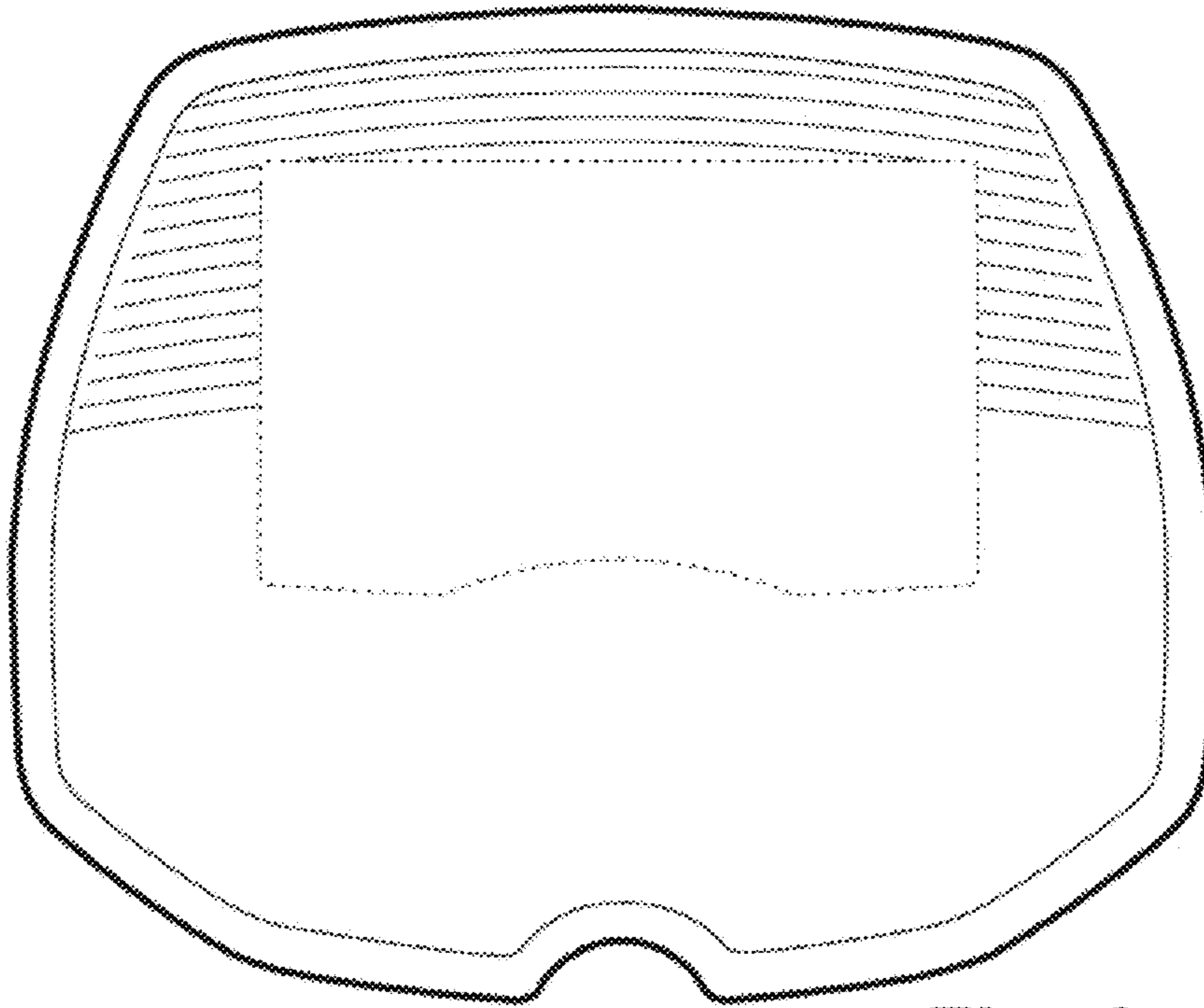


Fig. 6

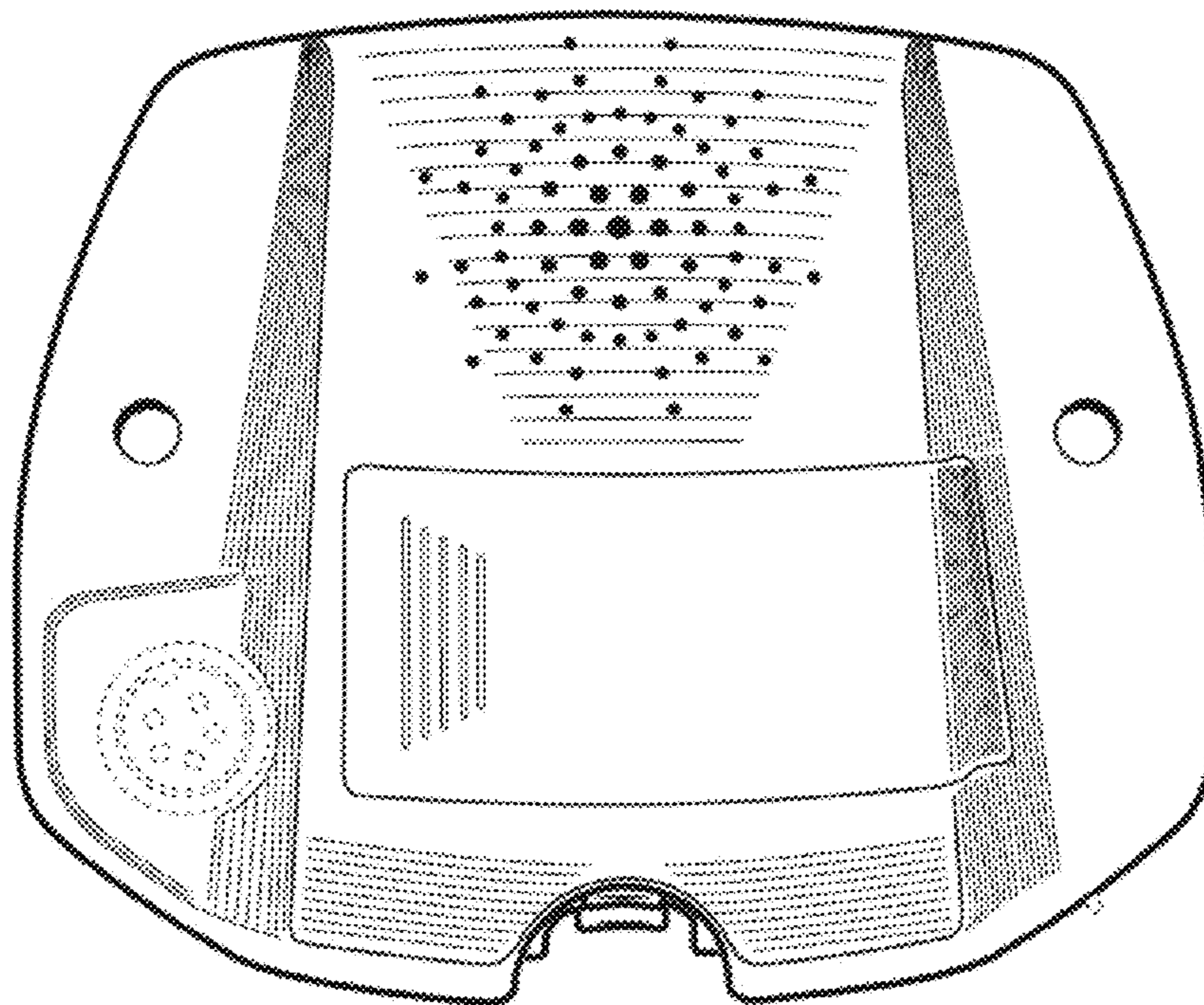


Fig. 7