



US00D690210S

(12) **United States Design Patent**
Takahashi

(10) **Patent No.:** **US D690,210 S**
(45) **Date of Patent:** **** Sep. 24, 2013**

(54) **WRIST WATCH CASE WITH BAND**

(71) Applicants: **Citizen Holdings Co., Ltd.**, Nishitokyo
(JP); **Citizen Watch Co., Ltd.**,
Nishitokyo (JP)

(72) Inventor: **Takayuki Takahashi**, Kanagawa (JP)

(73) Assignees: **Citizen Holdings Co., Ltd.** (JP); **Citizen
Watch Co., Ltd.** (JP)

(**) Term: **14 Years**

(21) Appl. No.: **29/446,798**

(22) Filed: **Feb. 27, 2013**

(51) **LOC (9) Cl.** **10-02**

(52) **U.S. Cl.**
USPC **D10/32**

(58) **Field of Classification Search**
USPC D10/30-39; 368/276, 281, 282;
D11/3, 12

See application file for complete search history.

(56) **References Cited**

U.S. PATENT DOCUMENTS

2,518,163	A	*	8/1950	Megar	63/4
D382,211	S	*	8/1997	Bodino	D10/30
D413,818	S	*	9/1999	Baumann	D10/32
D421,919	S	*	3/2000	Bodino	D10/32
D432,437	S	*	10/2000	Lassigne	D10/32
D440,886	S	*	4/2001	Burgener	D10/32
D475,935	S	*	6/2003	Modolo	D10/39
D489,272	S	*	5/2004	Messmer	D10/38
D490,000	S	*	5/2004	Lassigne	D10/32
D507,975	S	*	8/2005	Dreyfuss	D10/32
D517,928	S	*	3/2006	Monachon	D10/32
D534,438	S	*	1/2007	Bedat	D10/32

D539,176	S	*	3/2007	Lillegard et al.	D10/39
D558,607	S	*	1/2008	Harris	D10/32
D565,428	S	*	4/2008	Wunderman	D10/32
D575,656	S	*	8/2008	Scholpp	
D578,023	S	*	10/2008	Rochat	D10/32
D578,900	S	*	10/2008	Nisembaum	D10/32
D592,977	S	*	5/2009	Furetta	D10/32
D615,880	S	*	5/2010	Jorst et al.	D10/38
D632,192	S	*	2/2011	Jorst et al.	D10/38
D664,049	S	*	7/2012	Jorst et al.	D10/39

OTHER PUBLICATIONS

Website Printout of Rodania Ceramics BT-R2-25058.40 printed on
Feb. 5, 2013. (1 page) Date of original publication unknown.
<URL:http://rodania.com/en/collection/swissmade/ceramics/bt-
r2>.

* cited by examiner

Primary Examiner — Lucy Lieberman

(74) *Attorney, Agent, or Firm* — Banner & Witcoff, Ltd.

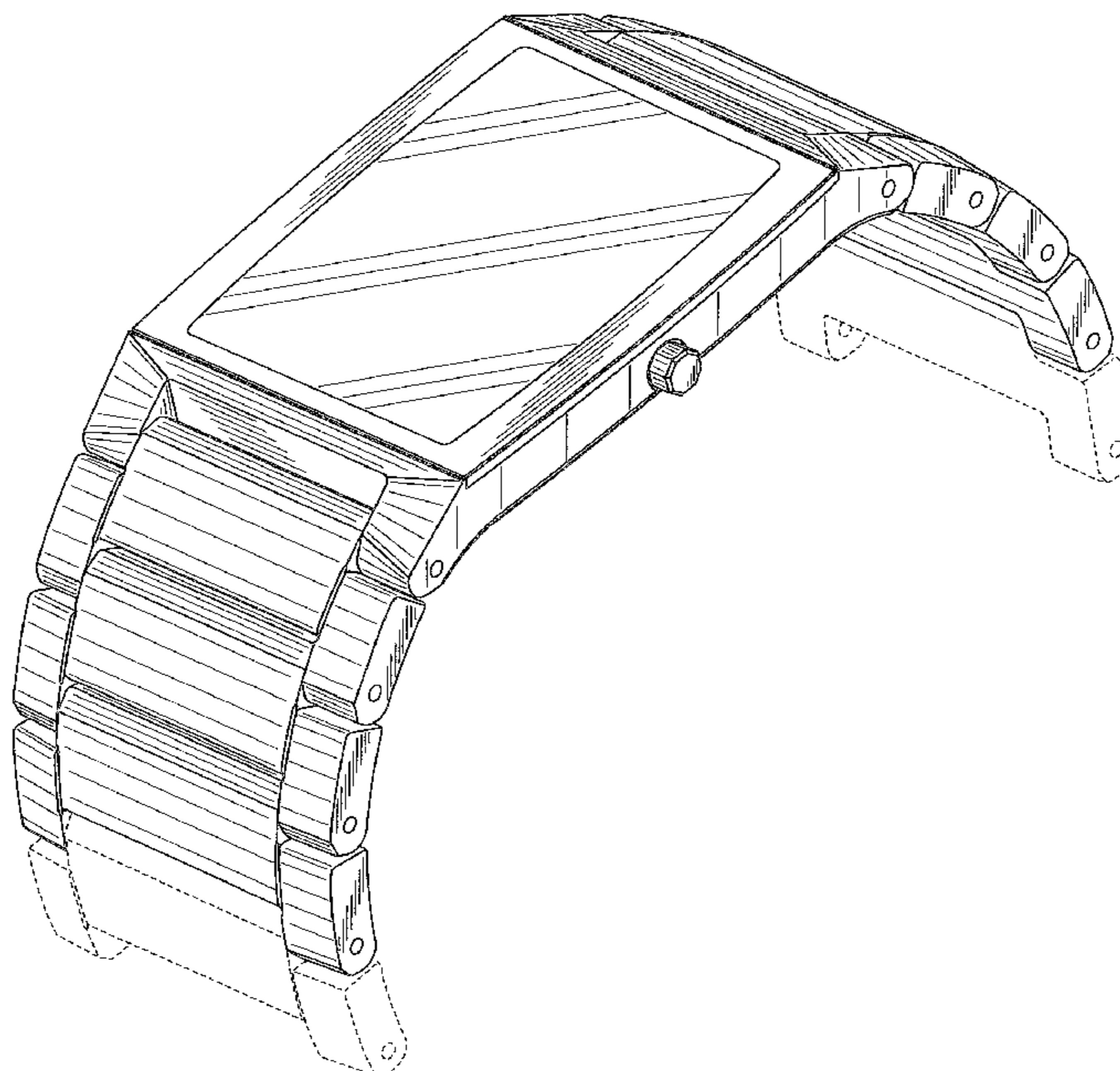
(57) **CLAIM**

The ornamental design for a wrist watch case with band, as
shown and described.

DESCRIPTION

FIG. 1 is a perspective view thereof,
FIG. 2 is a front elevational view thereof,
FIG. 3 is a rear elevational view thereof,
FIG. 4 is a top plan view thereof,
FIG. 5 is a bottom plan view thereof,
FIG. 6 is a left side elevational view; and,
FIG. 7 is a right side elevational view thereof.
The broken lines in the drawings are used to show portions of
the watch band that do not form part of the claimed design.

1 Claim, 7 Drawing Sheets



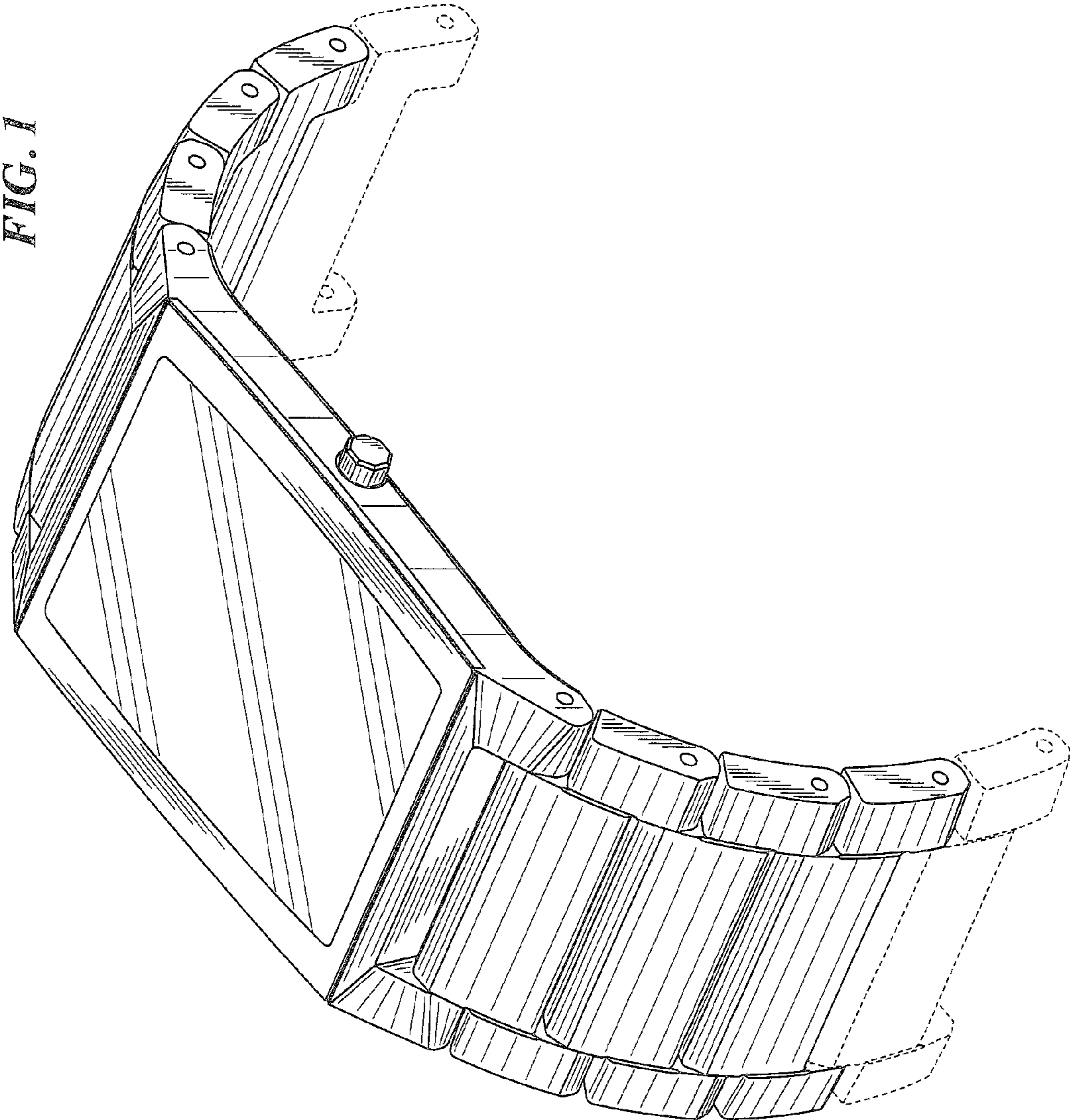


FIG. 1

FIG. 2

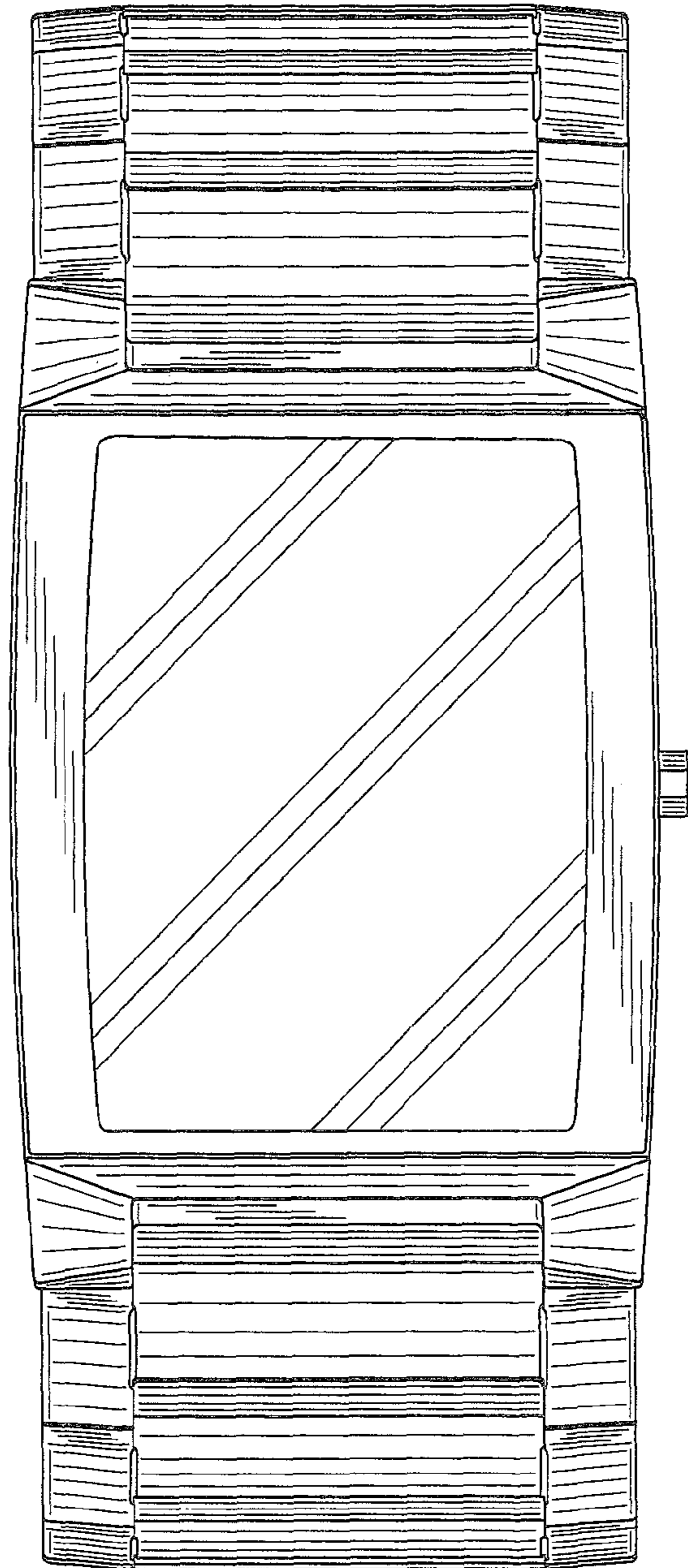


FIG. 3

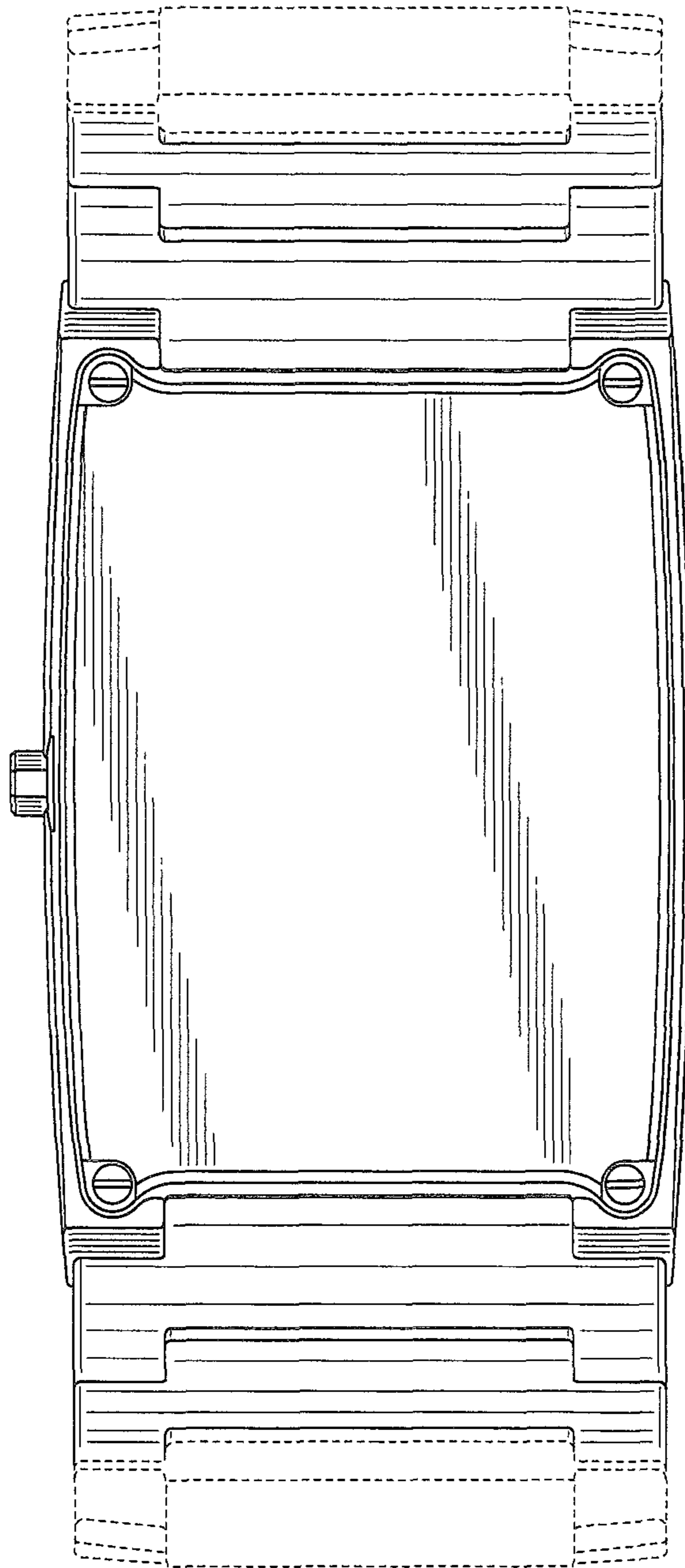


FIG. 4

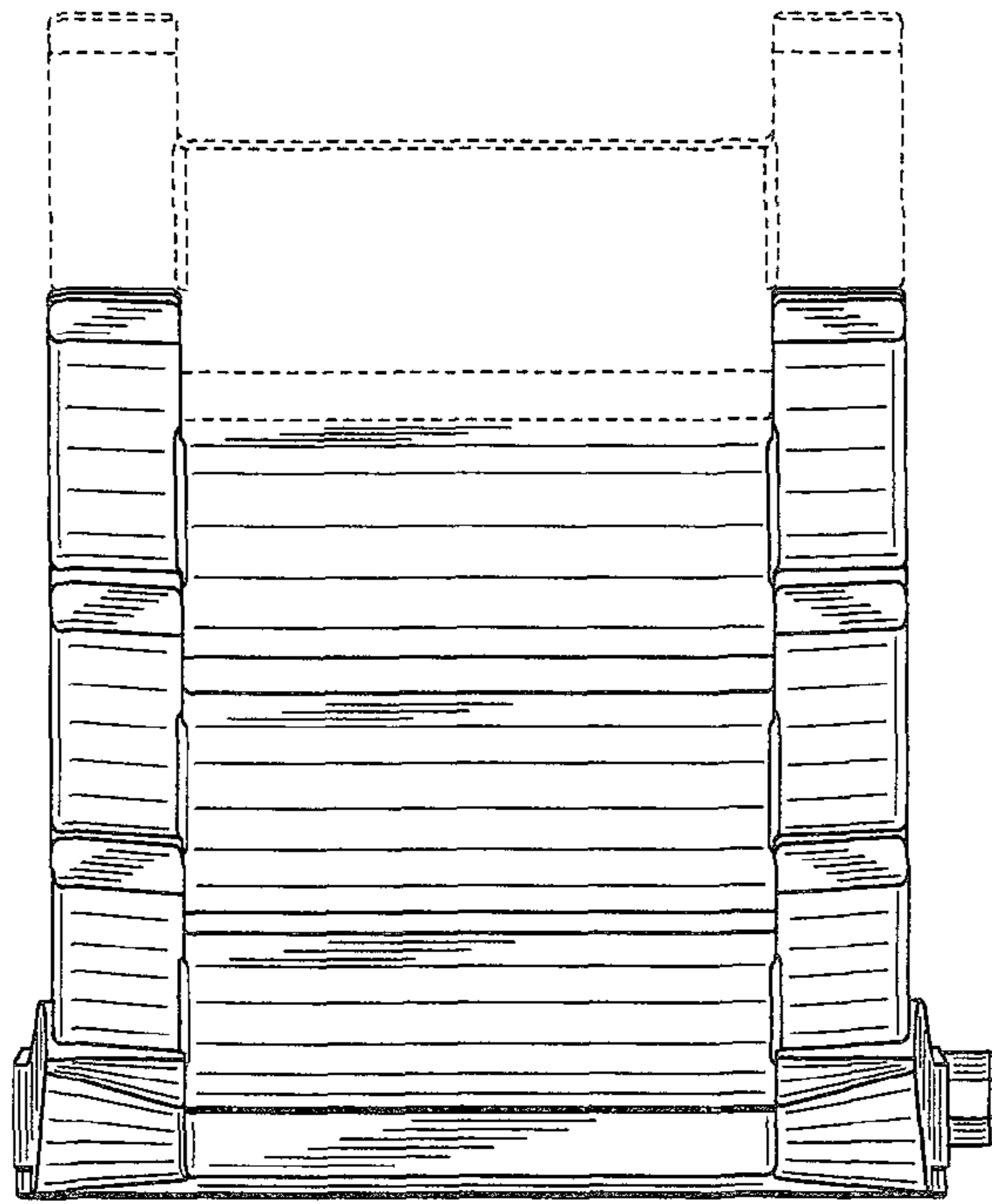


FIG. 5

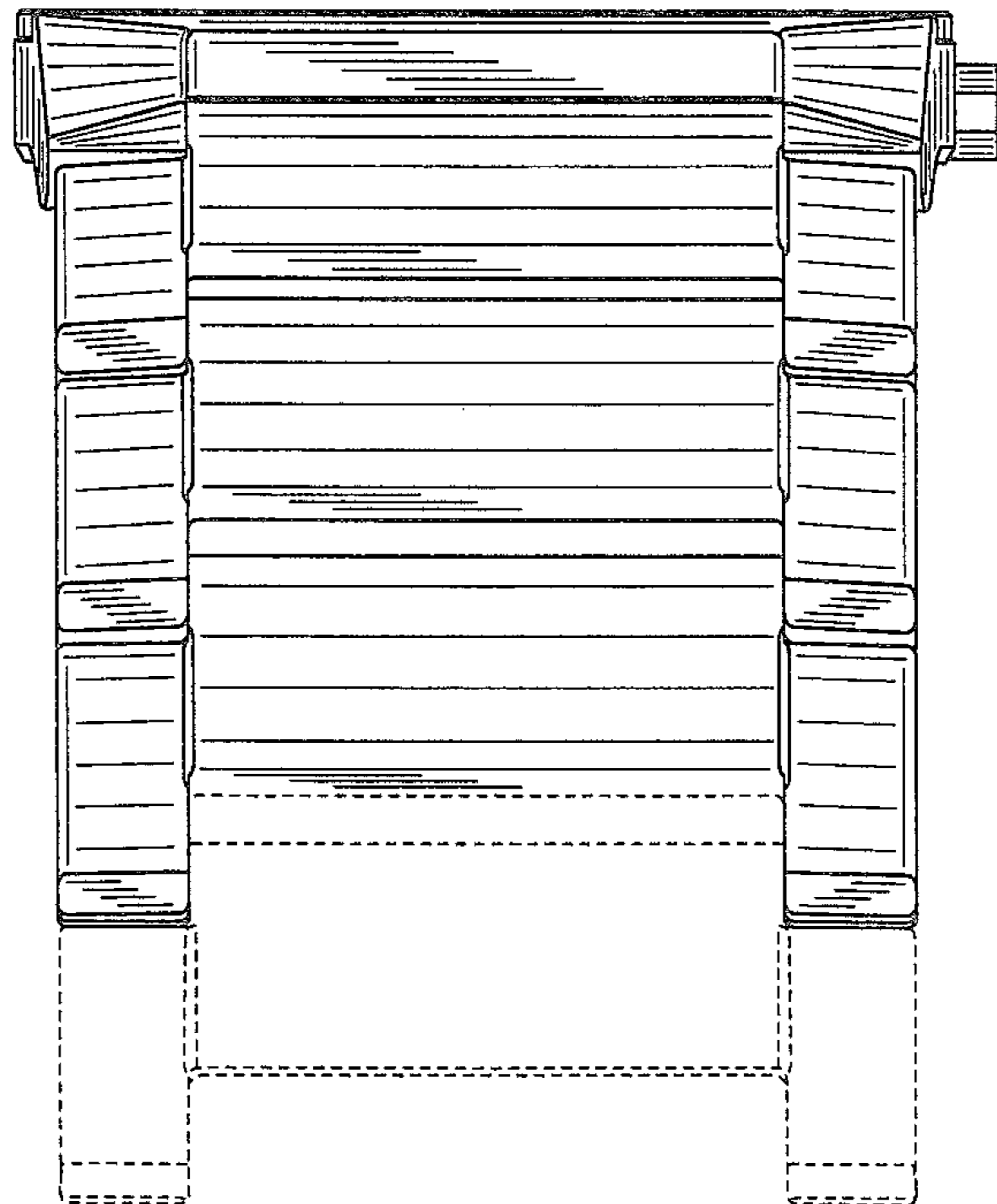


FIG. 6

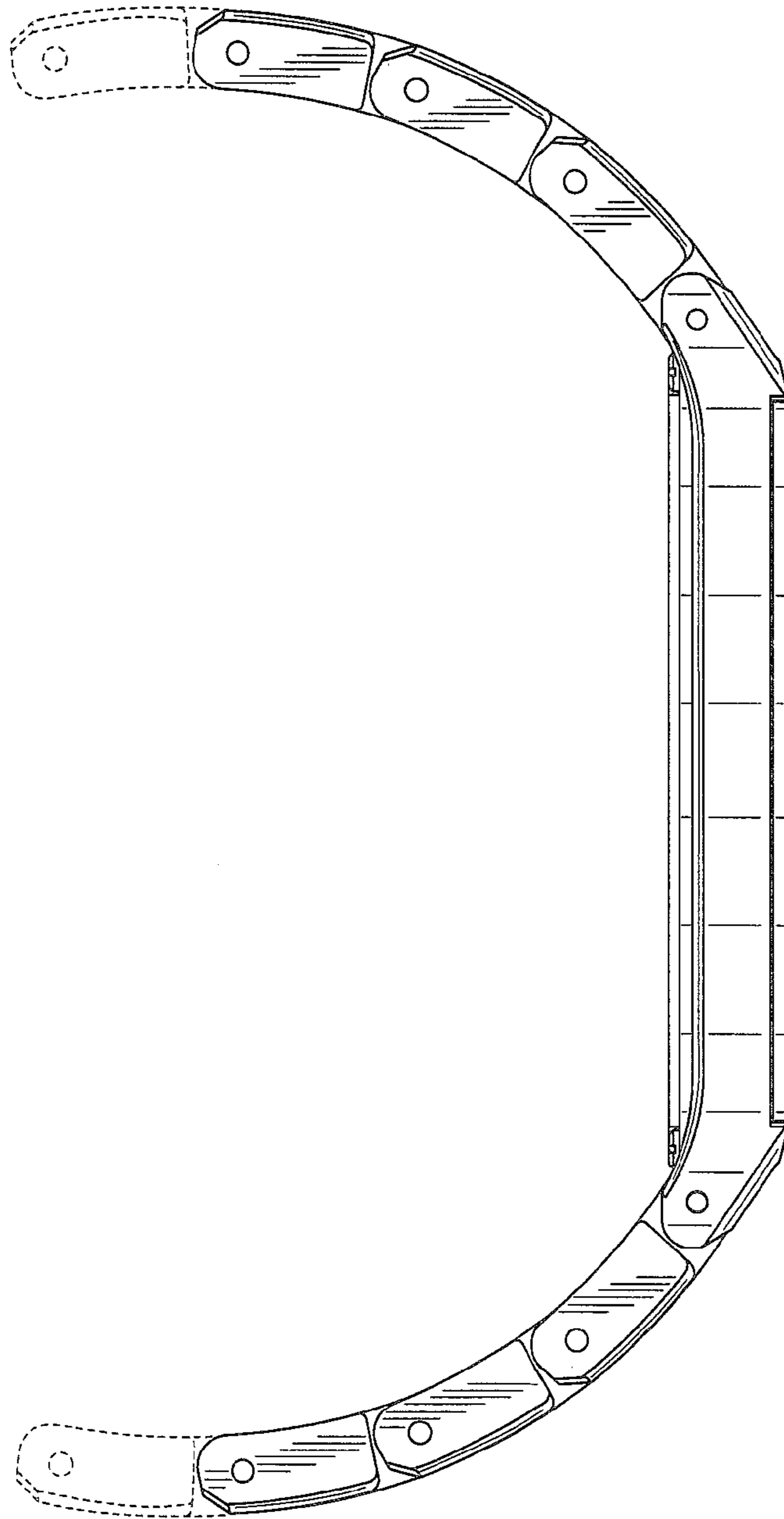


FIG. 7

