



US00D690209S

(12) **United States Design Patent**  
**Kawashima**

(10) **Patent No.:** **US D690,209 S**

(45) **Date of Patent:** **\*\* Sep. 24, 2013**

(54) **WRIST WATCH CASE WITH BAND**

(71) Applicants: **Citizen Holdings Co., Ltd.**, Nishitokyo (JP); **Citizen Watch Co., Ltd.**, Nishitokyo (JP)

(72) Inventor: **Yuri Kawashima**, Tokyo (JP)

(73) Assignees: **Citizen Holdings Co., Ltd.** (JP); **Citizen Watch Co., Ltd.** (JP)

(\*\*) Term: **14 Years**

(21) Appl. No.: **29/446,735**

(22) Filed: **Feb. 27, 2013**

(51) **LOC (9) Cl.** ..... **10-02**

(52) **U.S. Cl.**  
USPC ..... **D10/32**

(58) **Field of Classification Search**  
USPC ..... D10/30-39; 368/276, 281, 282,  
368/294, 295; D11/3, 12

See application file for complete search history.

(56) **References Cited**

**U.S. PATENT DOCUMENTS**

D331,708 S *	12/1992	Burgener	.....	D10/39
D377,150 S *	1/1997	Hartzband	.....	D10/32
D401,866 S *	12/1998	Pandel	.....	D10/32
D415,432 S *	10/1999	Cattin	.....	D10/30
D500,450 S *	1/2005	Strasser	.....	D10/30
D507,974 S *	8/2005	Strasser	.....	D10/30
D526,217 S	8/2006	Kawashima	.....	
D526,218 S *	8/2006	Krieger	.....	D10/39
D577,613 S	9/2008	Rochat	.....	

D577,624 S *	9/2008	Nussbaumer	.....	D11/3
D578,023 S	10/2008	Rochat	.....	
D580,793 S *	11/2008	Kawashima	.....	D10/32
D580,794 S *	11/2008	Takahashi	.....	D10/32
D584,171 S *	1/2009	Monachon	.....	D10/32
D592,980 S *	5/2009	Laucella	.....	D10/39
D596,050 S *	7/2009	Monachon	.....	D10/32
D599,682 S *	9/2009	Yoshida et al.	.....	D10/32
D600,142 S *	9/2009	Takahashi	.....	D10/32
D640,144 S *	6/2011	Tonohori	.....	D10/32
D658,509 S *	5/2012	Wai Kei	.....	D10/32
D658,510 S *	5/2012	Wai Kei	.....	D10/32
D675,940 S *	2/2013	Sasaki	.....	D10/32

\* cited by examiner

*Primary Examiner* — Lucy Lieberman

(74) *Attorney, Agent, or Firm* — Banner & Witcoff, Ltd.

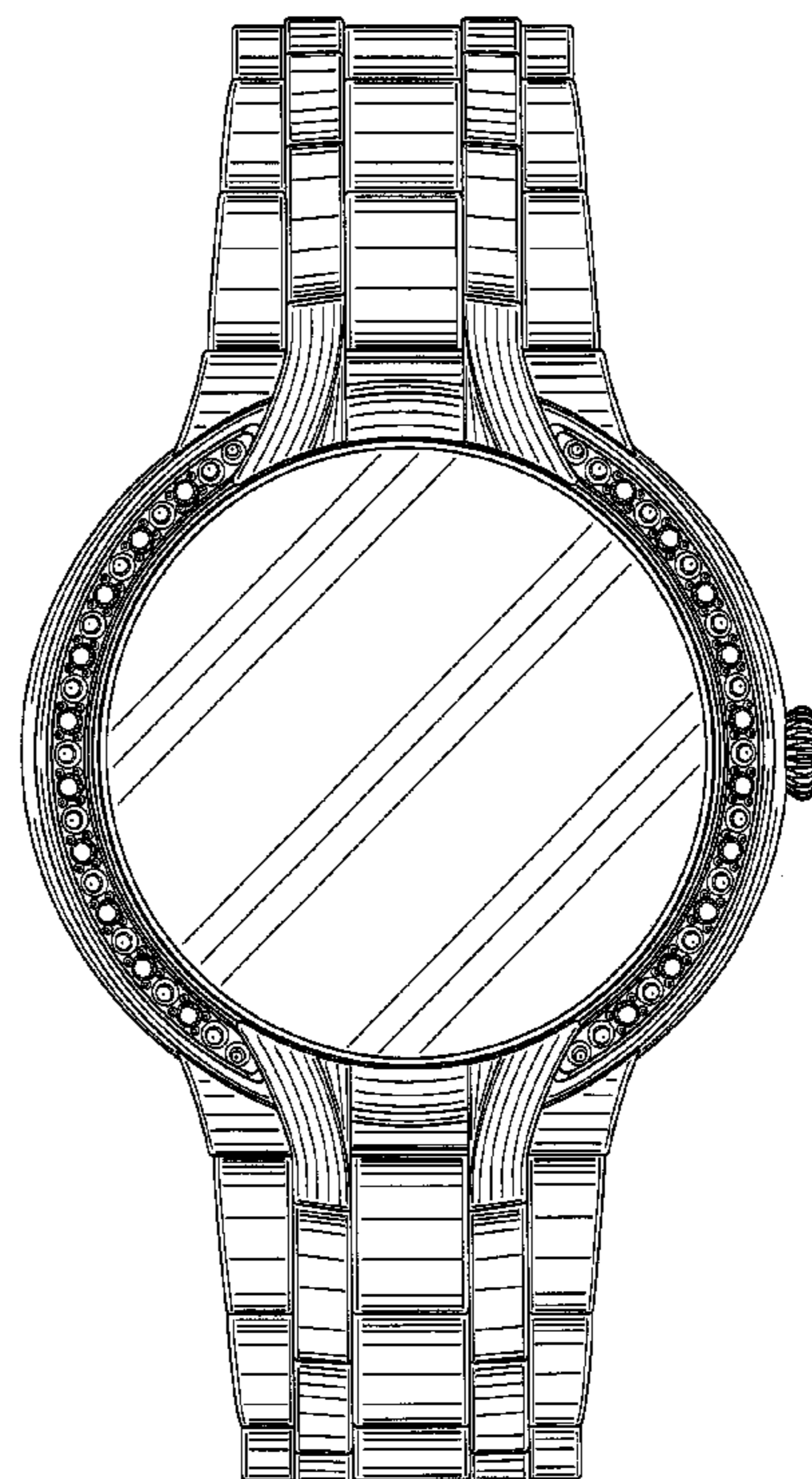
(57) **CLAIM**

The ornamental design for a wrist watch case with band, as shown and described.

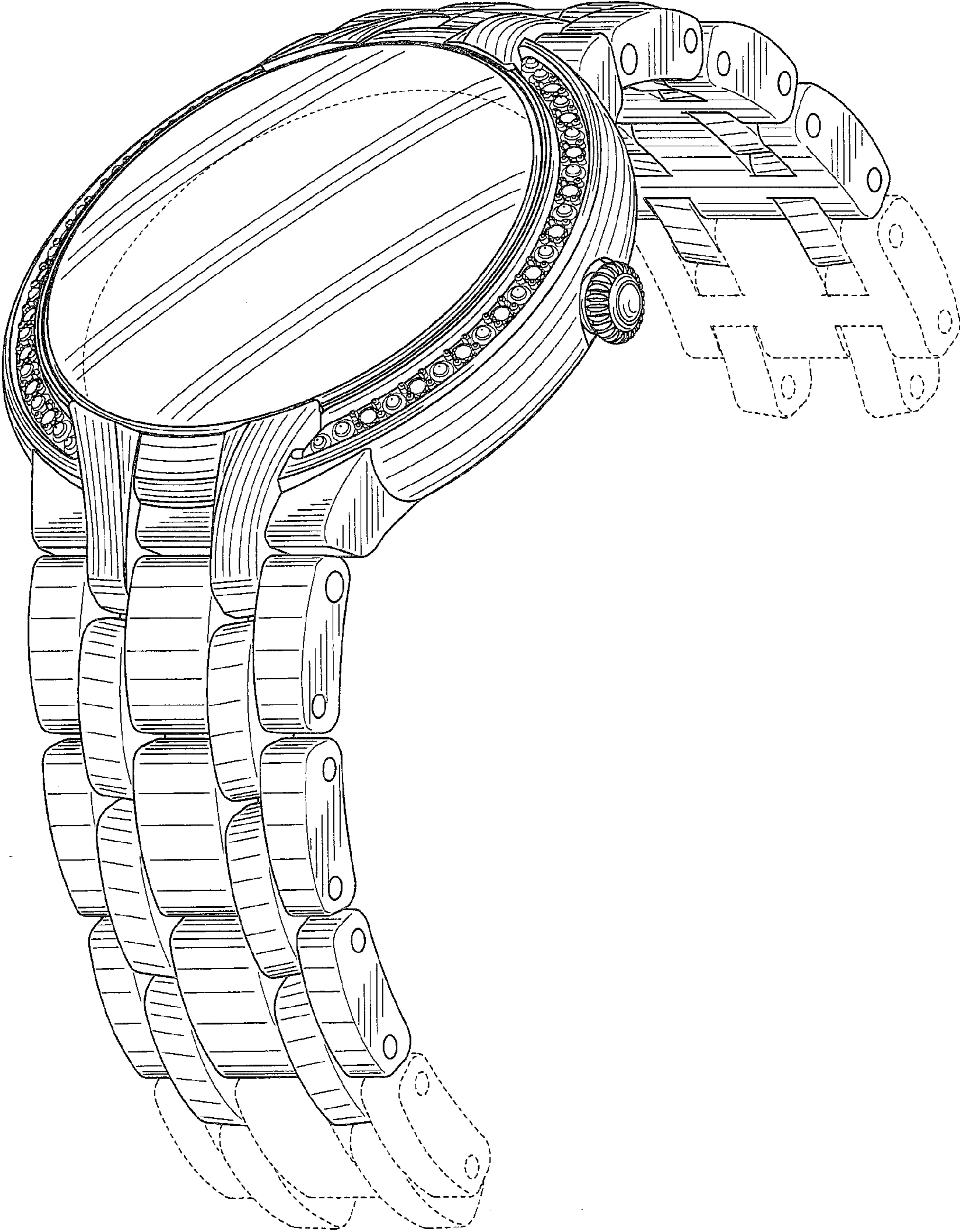
**DESCRIPTION**

FIG. 1 is a perspective view thereof, FIG. 2 is a front elevational view thereof, FIG. 3 is a rear elevational view thereof, FIG. 4 is a top plan view thereof, FIG. 5 is a bottom plan view thereof, FIG. 6 is a left side elevational view; and, FIG. 7 is a right side elevational view thereof. The broken lines in the drawings are used to show portions of the wrist watch case with band that do not form part of the claimed design.

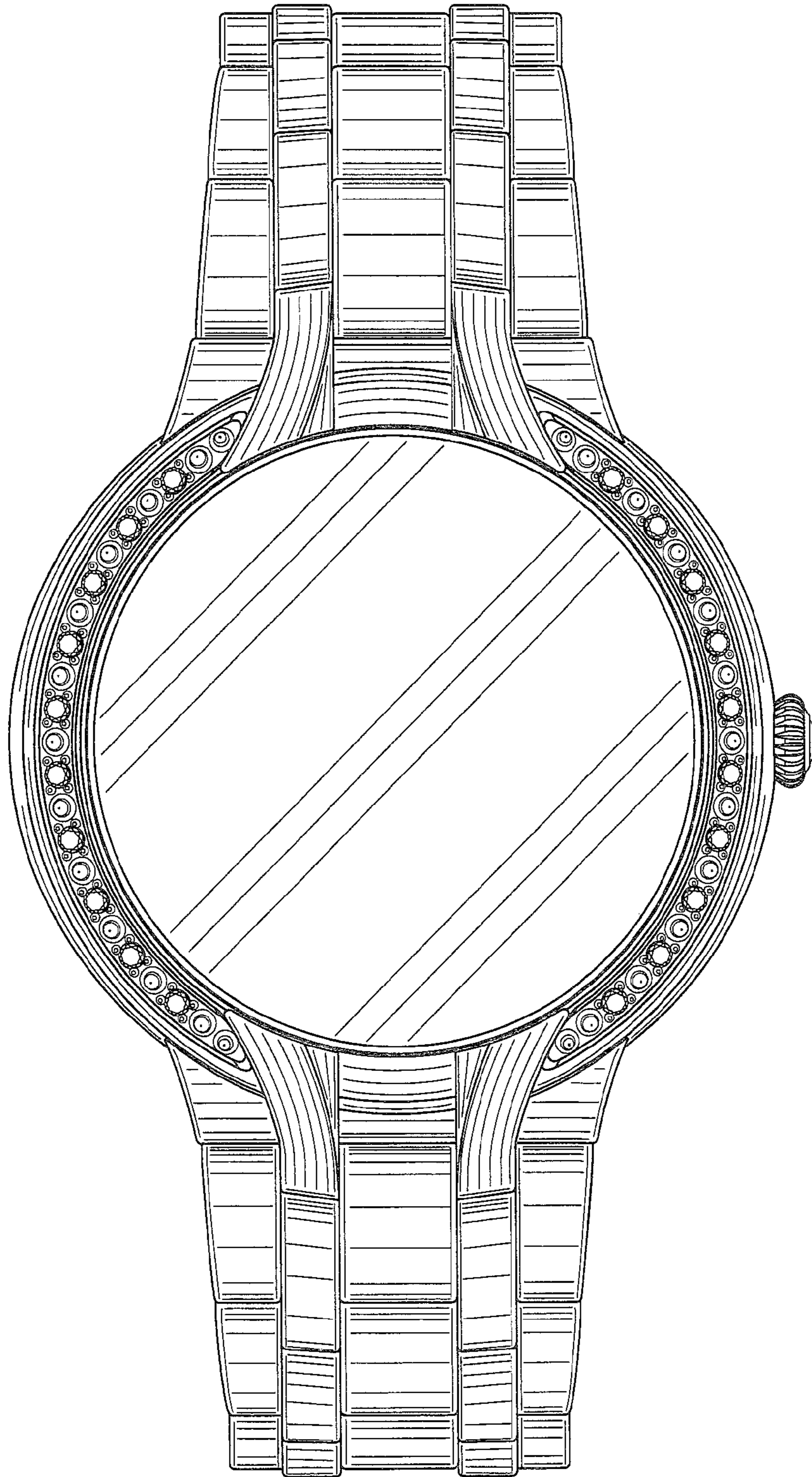
**1 Claim, 7 Drawing Sheets**



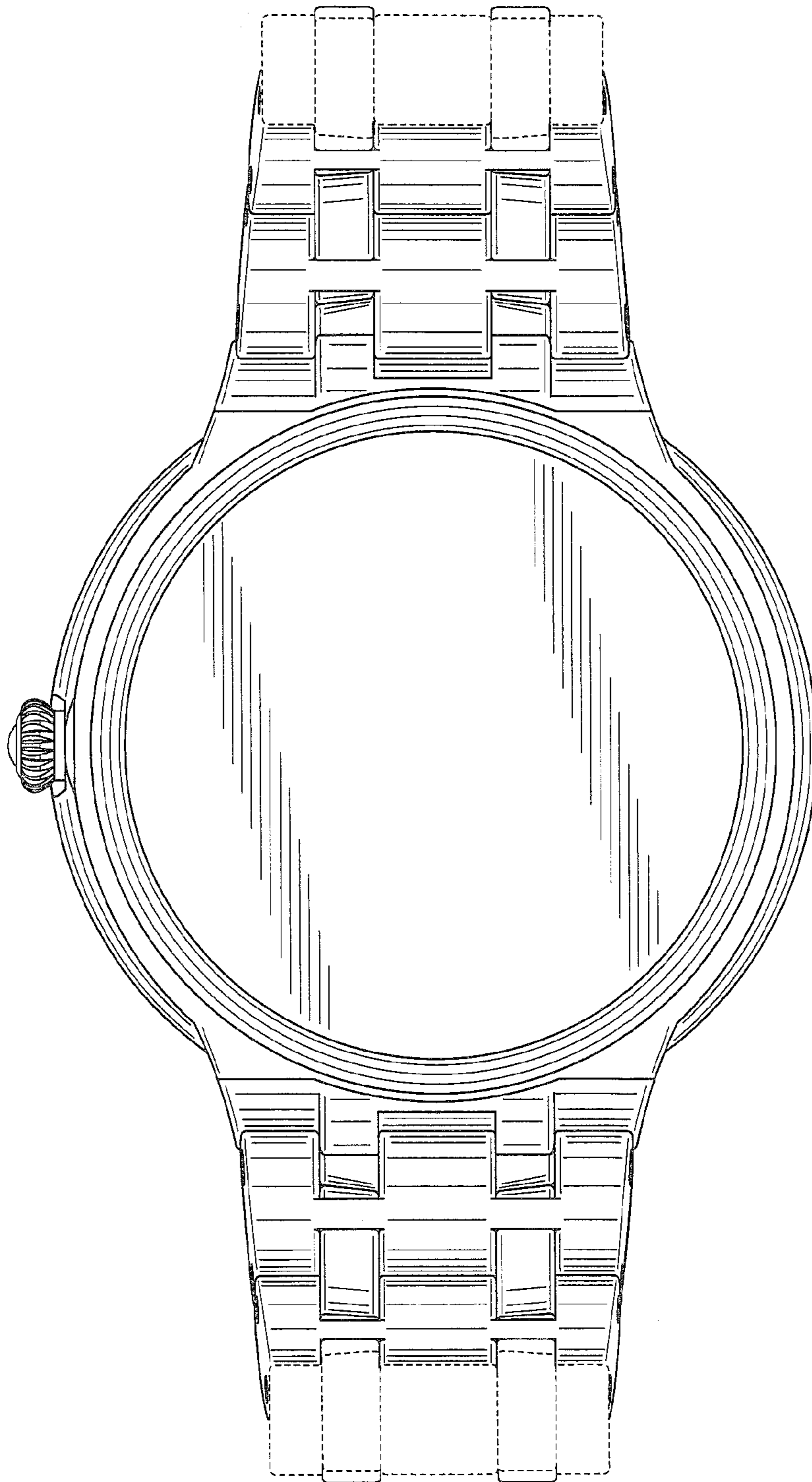
*FIG. 1*



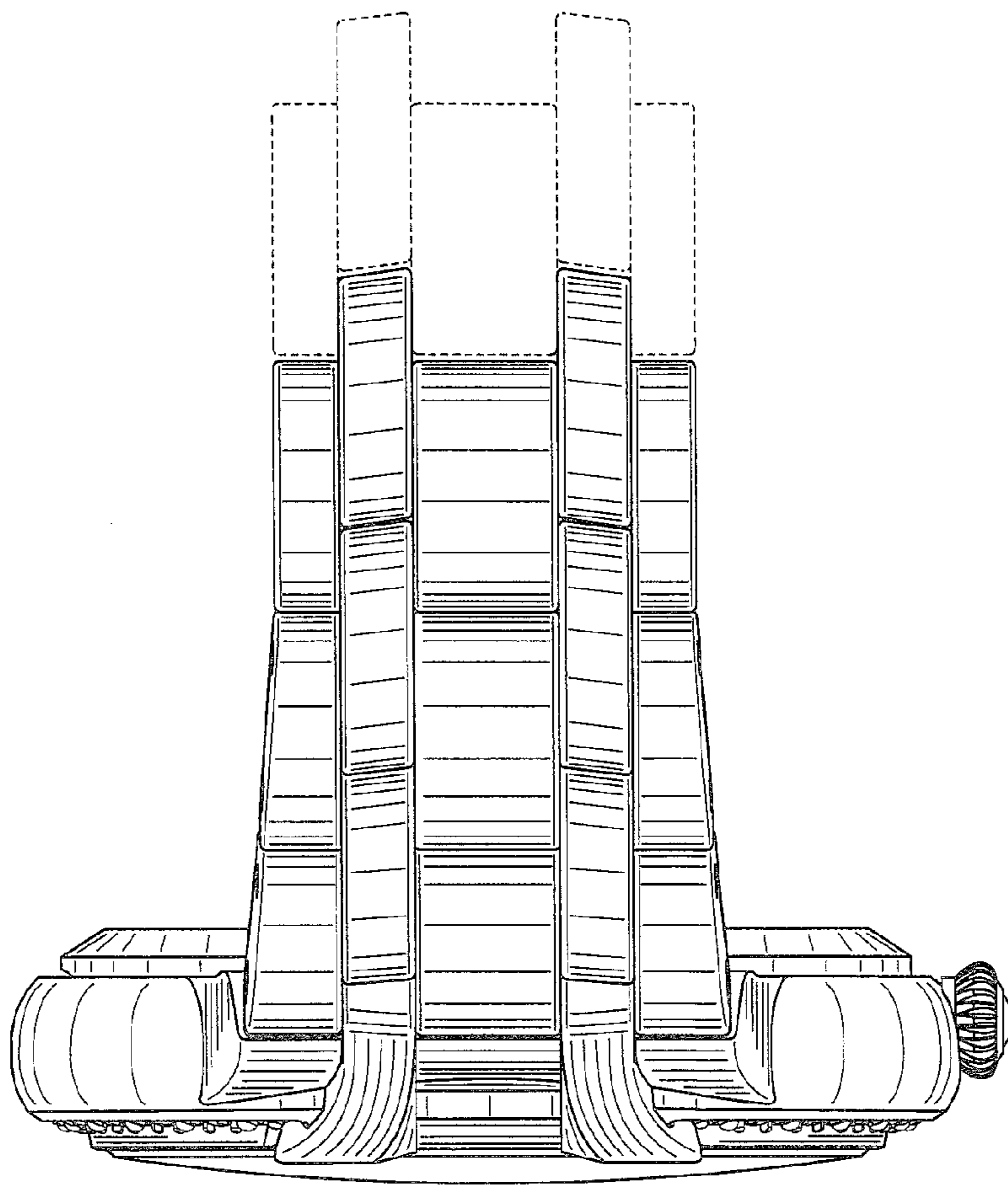
*FIG. 2*



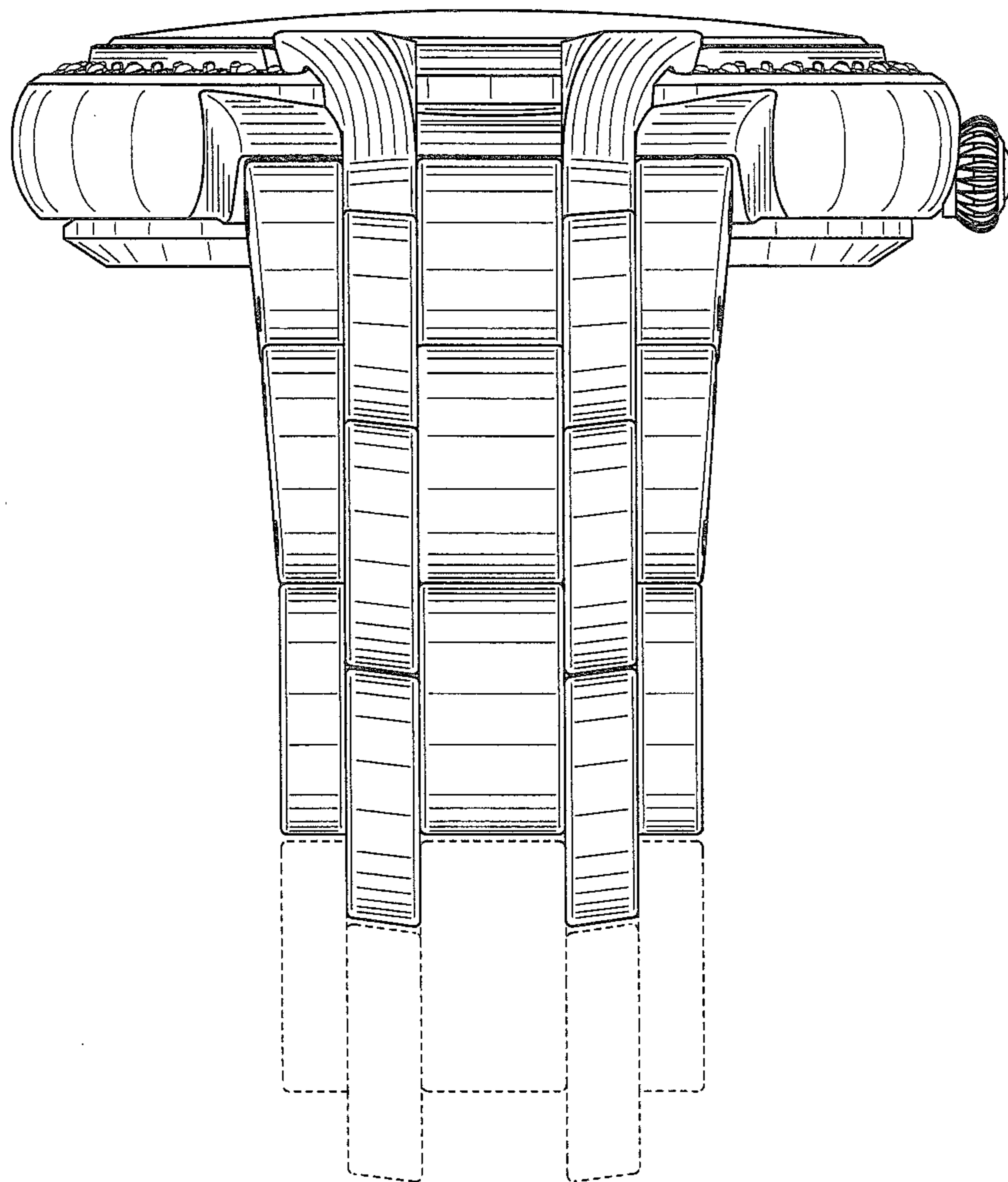
*FIG. 3*



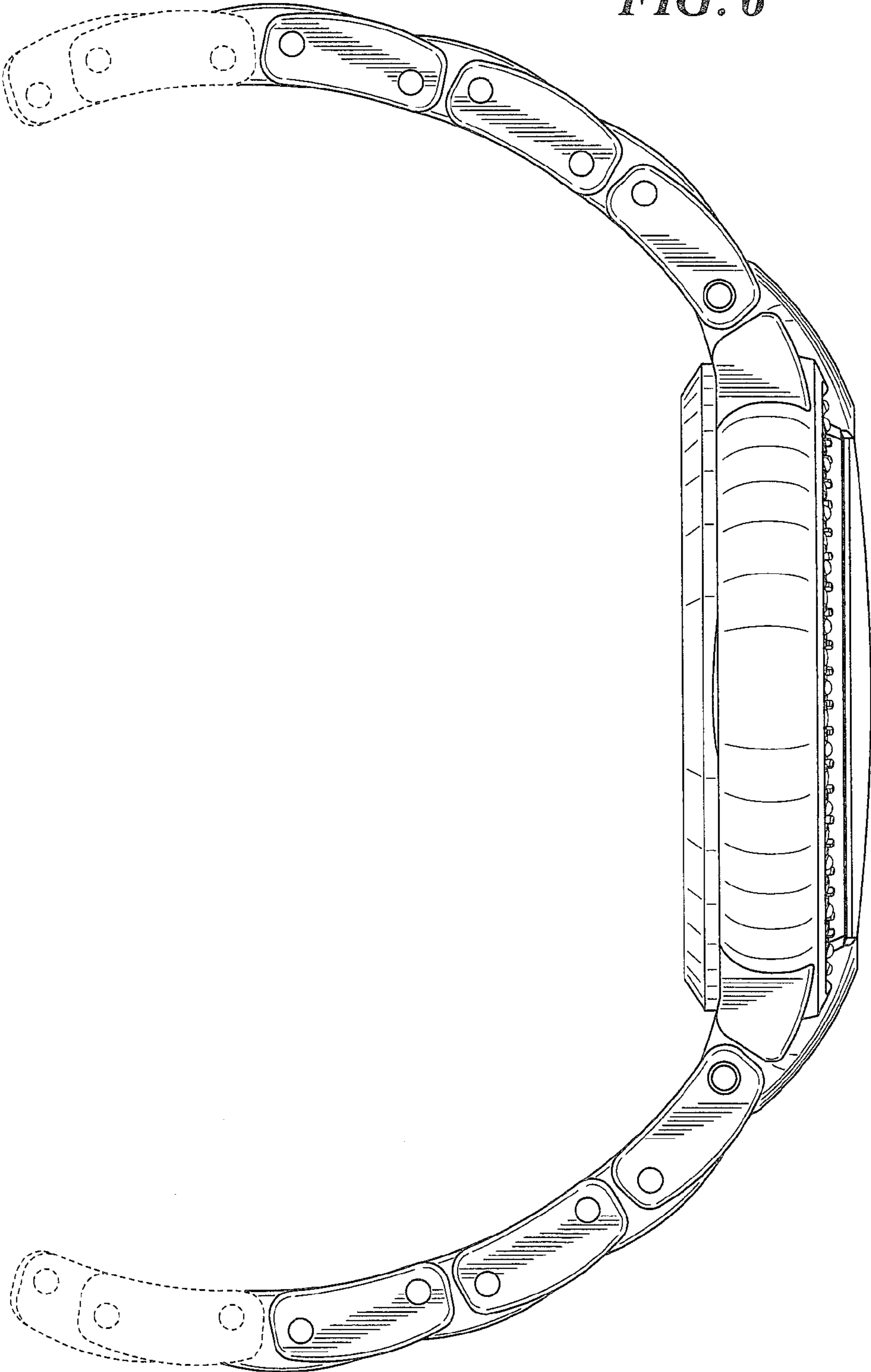
*FIG. 4*



*FIG. 5*



*FIG. 6*



**FIG. 7**

