



US00D690207S

(12) **United States Design Patent**  
**Newman**

(10) **Patent No.:** **US D690,207 S**  
(45) **Date of Patent:** **\*\* Sep. 24, 2013**

- (54) **PACKAGING CONTAINER**
- (75) Inventor: **Stephan D Newman**, Singapore (SG)
- (73) Assignee: **Menicon Co., Ltd.**, Aichi (JP)
- (\*\*) Term: **14 Years**
- (21) Appl. No.: **29/400,395**
- (22) Filed: **Aug. 26, 2011**
- (30) **Foreign Application Priority Data**  
Feb. 28, 2011 (JP) ..... 2011-004367
- (51) **LOC (9) Cl.** ..... **09-03**
- (52) **U.S. Cl.**  
USPC ..... **D9/737**
- (58) **Field of Classification Search**  
USPC ..... D9/414, 415, 418, 420, 422, 423,  
D9/424, 425, 759, 737, 761, 756, 730; D7/602,  
D7/538, 629; D3/294; 229/406, 904; 206/495,  
206/776, 806, 459.5, 44 R, 45.31, 45.34,  
206/461, 469, 471; 220/287, 835, 839, 23.83,  
220/500, 556, 557, 662, 669, 675, 23.2, 23.8,  
220/376, 377, 380, 521, 657  
See application file for complete search history.

7,328,802	B2 *	2/2008	Killinger	.....	206/534
7,461,740	B2	12/2008	Newman		
D596,305	S *	7/2009	Usui et al.	.....	D24/206
D601,039	S *	9/2009	Duquet et al.	.....	D9/732
D620,787	S *	8/2010	Moriya	.....	D9/416
7,850,002	B2	12/2010	Newman		
7,967,133	B2	6/2011	Newman		
D658,077	S *	4/2012	Newman	.....	D9/737
2011/0162980	A1	7/2011	Newman		

**FOREIGN PATENT DOCUMENTS**

JP	4723042	7/2001
JP	2005-250496	9/2005
JP	3716994	11/2005
JP	2006-219176	8/2006
JP	2007-19705	8/2007
JP	2007-197058	8/2007
JP	2011-037519	2/2011

\* cited by examiner

*Primary Examiner* — Randall Gholson

(74) *Attorney, Agent, or Firm* — James R. Gourley; Colin P. Cahoon; Carstens & Cahoon, LLP

(57) **CLAIM**

The ornamental design for a packaging container, as shown and described.

**DESCRIPTION**

FIG. 1 is a perspective view of a packaging container showing my new design;

FIG. 2 is a front view thereof;

FIG. 3 is a top plan view thereof;

FIG. 4 is a bottom plan view thereof; and,

FIG. 5 is a left side view thereof.

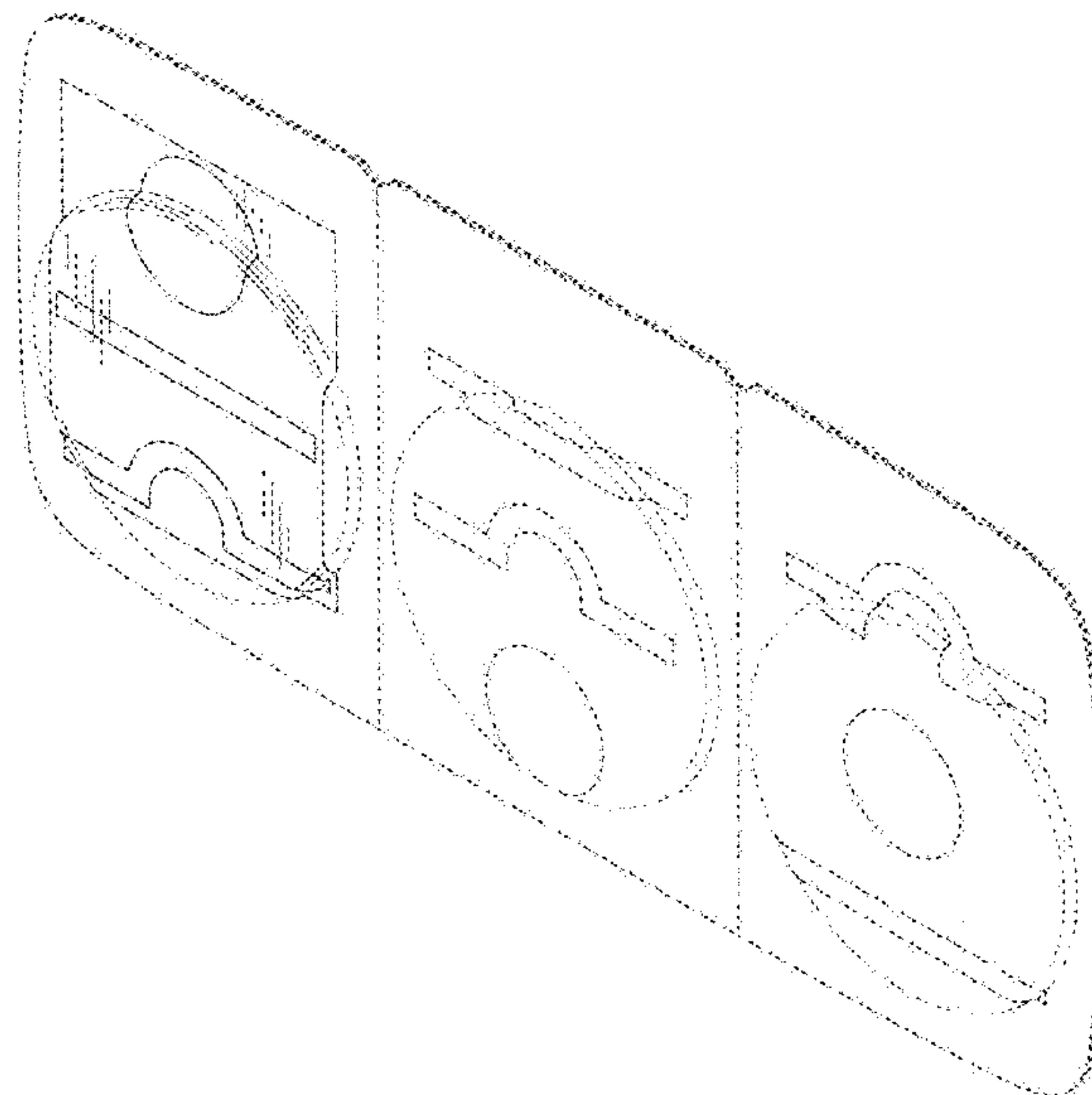
The features shown in even broken lines in the drawings depict environmental subject matter only and form no part of the claimed design. The dot-dash broken lines define the boundaries of the claimed design and form no part thereof.

**1 Claim, 4 Drawing Sheets**

(56) **References Cited**

**U.S. PATENT DOCUMENTS**

4,469,226	A *	9/1984	Matney	.....	206/470
4,534,468	A *	8/1985	Nuckols et al.	.....	206/537
D381,260	S *	7/1997	Hoogenboom	.....	D9/732
D401,762	S *	12/1998	Abrams et al.	.....	D3/264
5,894,930	A *	4/1999	Faughey et al.	.....	206/532
D478,810	S *	8/2003	Wilson	.....	D9/732
6,776,285	B2 *	8/2004	Shibata	.....	206/469
6,830,153	B2 *	12/2004	French et al.	.....	206/538
7,086,526	B2	8/2006	Newman		



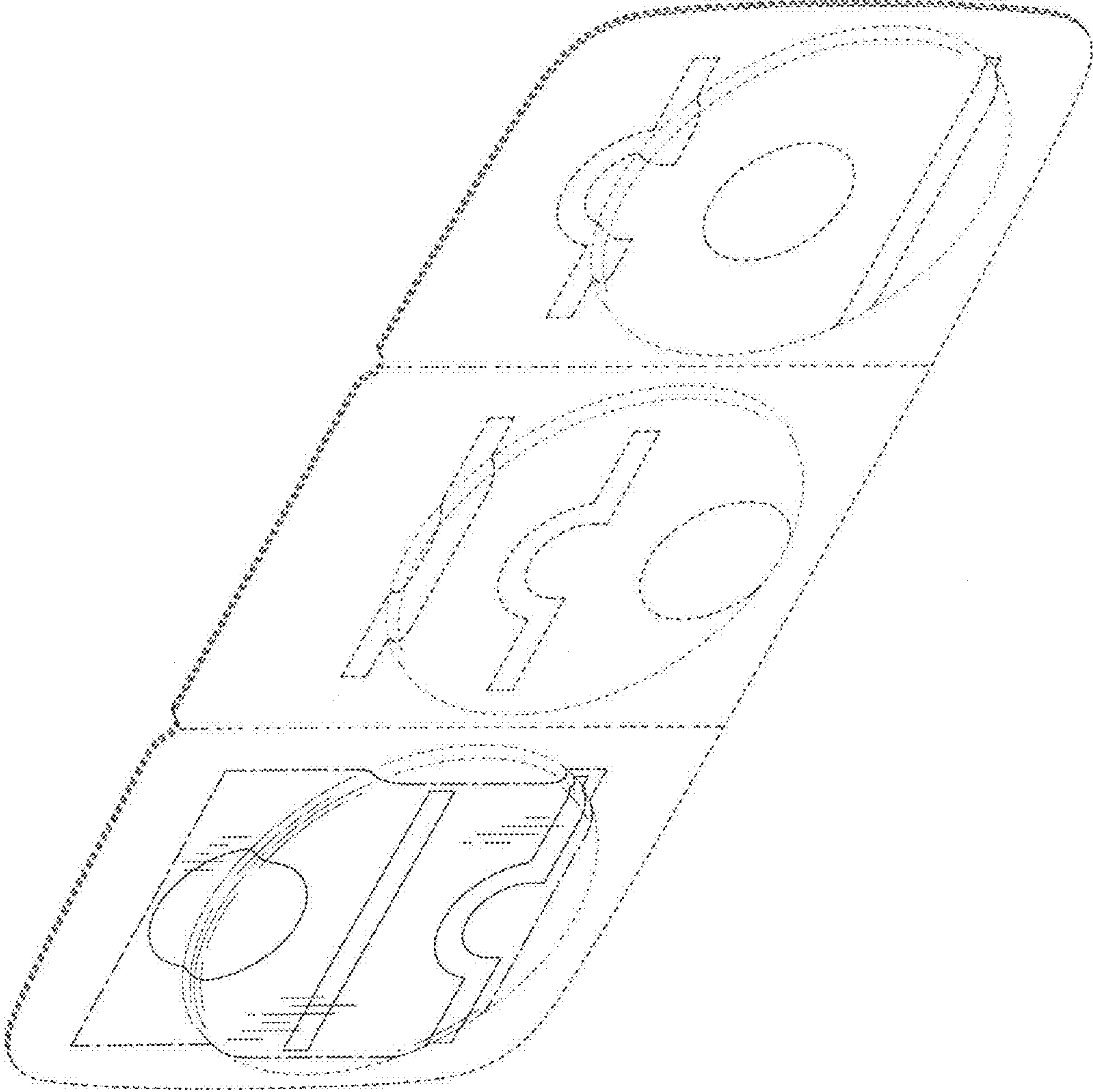


Fig. 1

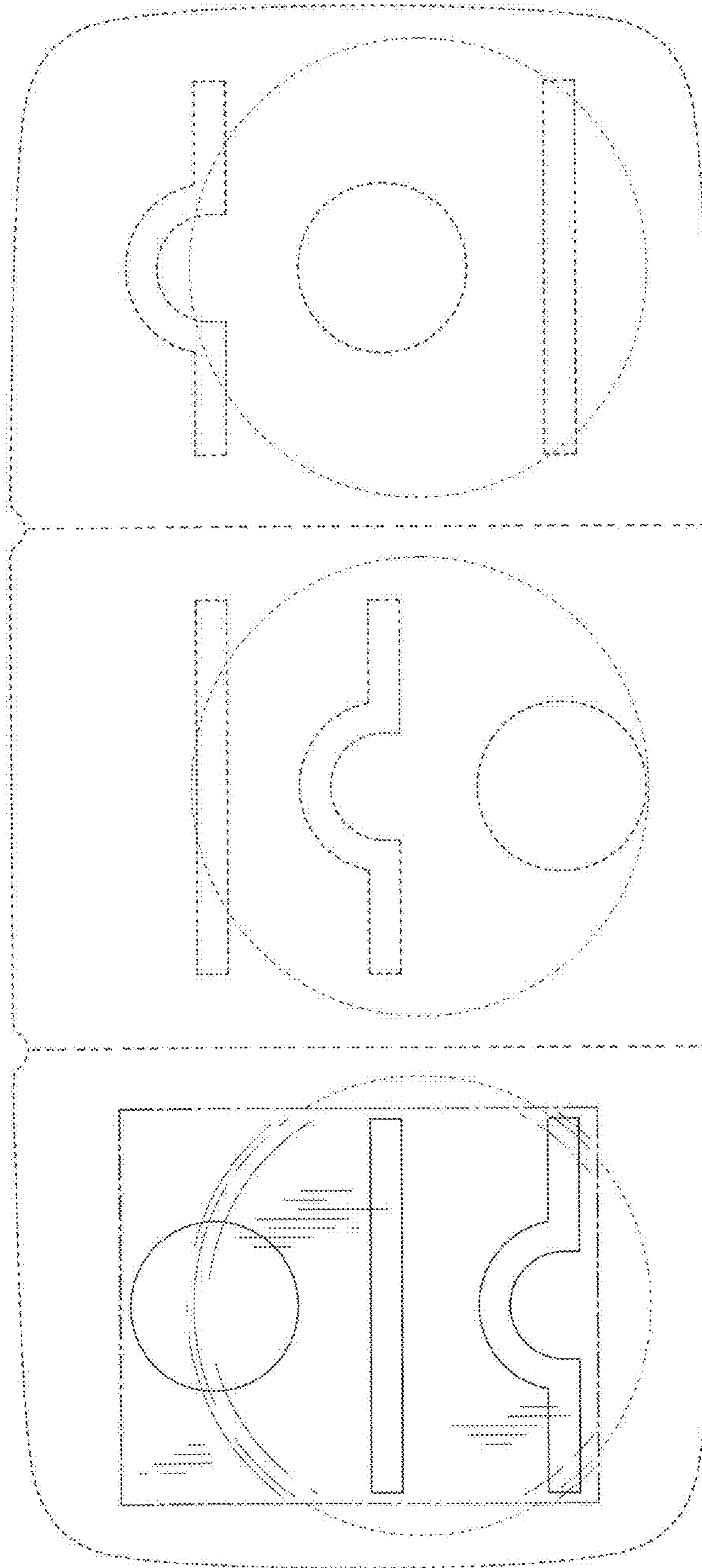


Fig. 2

Fig. 3

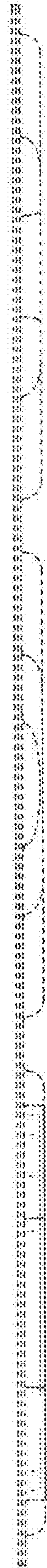


Fig. 4

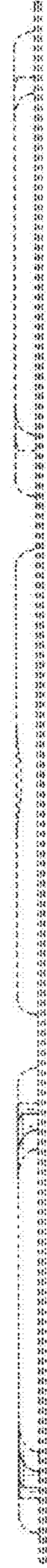
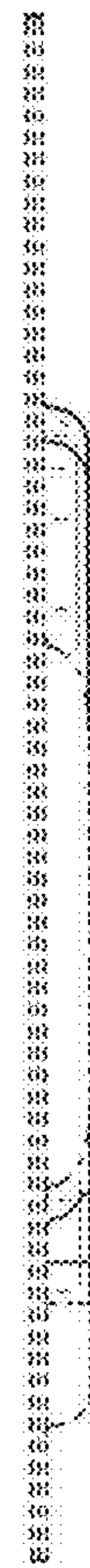


Fig. 5





UNITED STATES PATENT AND TRADEMARK OFFICE  
**CERTIFICATE OF CORRECTION**

PATENT NO. : D690,207 S  
APPLICATION NO. : 29/400395  
DATED : September 24, 2013  
INVENTOR(S) : Newman

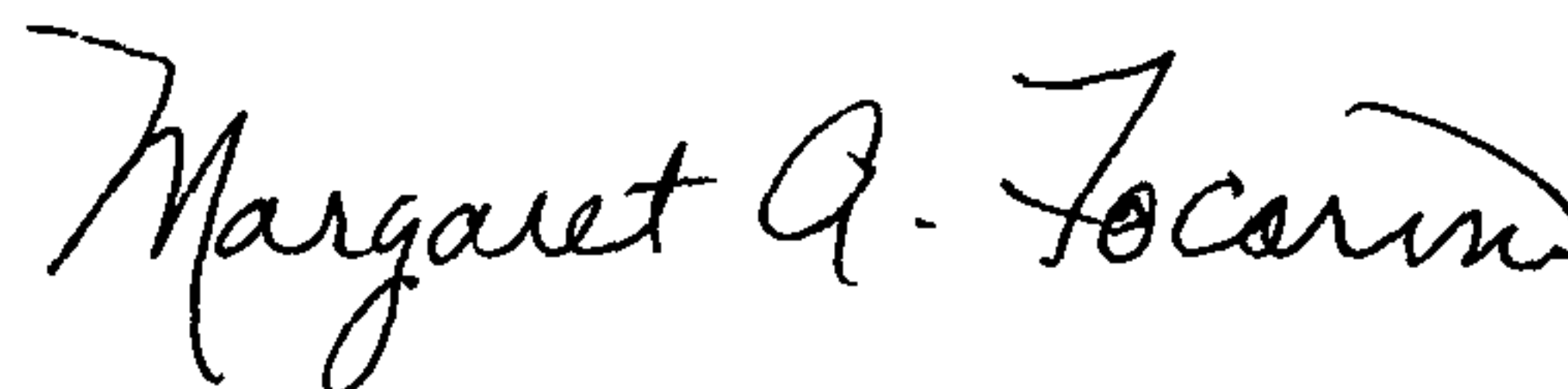
Page 1 of 1

It is certified that error appears in the above-identified patent and that said Letters Patent is hereby corrected as shown below:

On the title page item [75], the spelling of the inventor's name should be changed from Stephan with an "a" to Stephen with an "e" as follows:

Stephen D. Newman

Signed and Sealed this  
Twenty-sixth Day of November, 2013



Margaret A. Focarino  
*Commissioner for Patents of the United States Patent and Trademark Office*