



US00D690204S

(12) **United States Design Patent**  
**Crawford et al.**

(10) **Patent No.:** **US D690,204 S**

(45) **Date of Patent:** **\*\* \*Sep. 24, 2013**

(54) **CONTAINER**

(75) Inventors: **John C. Crawford**, Mahopac, NY (US);  
**Kiat-Cheong Toh**, Forest Hills, NY (US)

(73) Assignee: **Colgate-Palmolive Company**, New  
York, NY (US)

(\*) Notice: This patent is subject to a terminal dis-  
claimer.

(\*\*) Term: **14 Years**

(21) Appl. No.: **29/424,041**

(22) Filed: **Jun. 7, 2012**

(51) **LOC (9) Cl.** ..... **09-01**

(52) **U.S. Cl.**  
USPC ..... **D9/565; D9/562; D9/571; D9/573;**  
**D9/574**

(58) **Field of Classification Search**  
USPC ..... **D9/682-694, 516-575, 434-436,**  
**D9/447-450; 215/379, 382; 220/669-675**  
See application file for complete search history.

(56) **References Cited**

**U.S. PATENT DOCUMENTS**

D176,226 S	11/1955	Morris	
D185,526 S *	6/1959	Alvey	D9/542
D204,026 S	3/1966	Lorenzen	
D207,800 S *	5/1967	Roberts	D9/565
D211,933 S	8/1968	Horne	
D212,458 S *	10/1968	Sterges	D9/542
3,468,447 A	9/1969	Smalley	
D217,058 S	3/1970	Marsh	
D227,344 S *	6/1973	Lerner	D9/574
D229,546 S *	12/1973	Plummer	D9/542
D245,225 S	8/1977	Lyons	
D254,652 S *	4/1980	Shortino	D9/574
D268,896 S *	5/1983	Sledge	D9/549
D277,734 S	2/1985	Harris	

D277,823 S	3/1985	Harris	
D278,122 S *	3/1985	Harris	D9/545
D286,984 S	12/1986	Durand	
D329,383 S	9/1992	Boucheron	
D336,237 S *	6/1993	Rossi	D9/686
D337,275 S	7/1993	Tutssel	
D338,828 S *	8/1993	Segati	D9/694
D342,902 S	1/1994	Granai	
D356,263 S *	3/1995	Matsumoto	D9/552
D362,187 S	9/1995	Thompson	
D369,557 S	5/1996	Hiro et al.	
D376,310 S	12/1996	Crawford	
D378,665 S	4/1997	Fenton et al.	
D413,263 S	8/1999	Pritchard et al.	

(Continued)

**FOREIGN PATENT DOCUMENTS**

AU	122034	11/1994
AU	128474	10/1996

(Continued)

*Primary Examiner* — Catherine Tuttle

(74) *Attorney, Agent, or Firm* — Judy W. Chung

(57) **CLAIM**

The ornamental design for a container, as shown and  
described.

**DESCRIPTION**

FIG. 1 is a left front perspective view of a container of our new  
design;

FIG. 2 is a front view thereof;

FIG. 3 is a rear view thereof;

FIG. 4 is a left side view thereof;

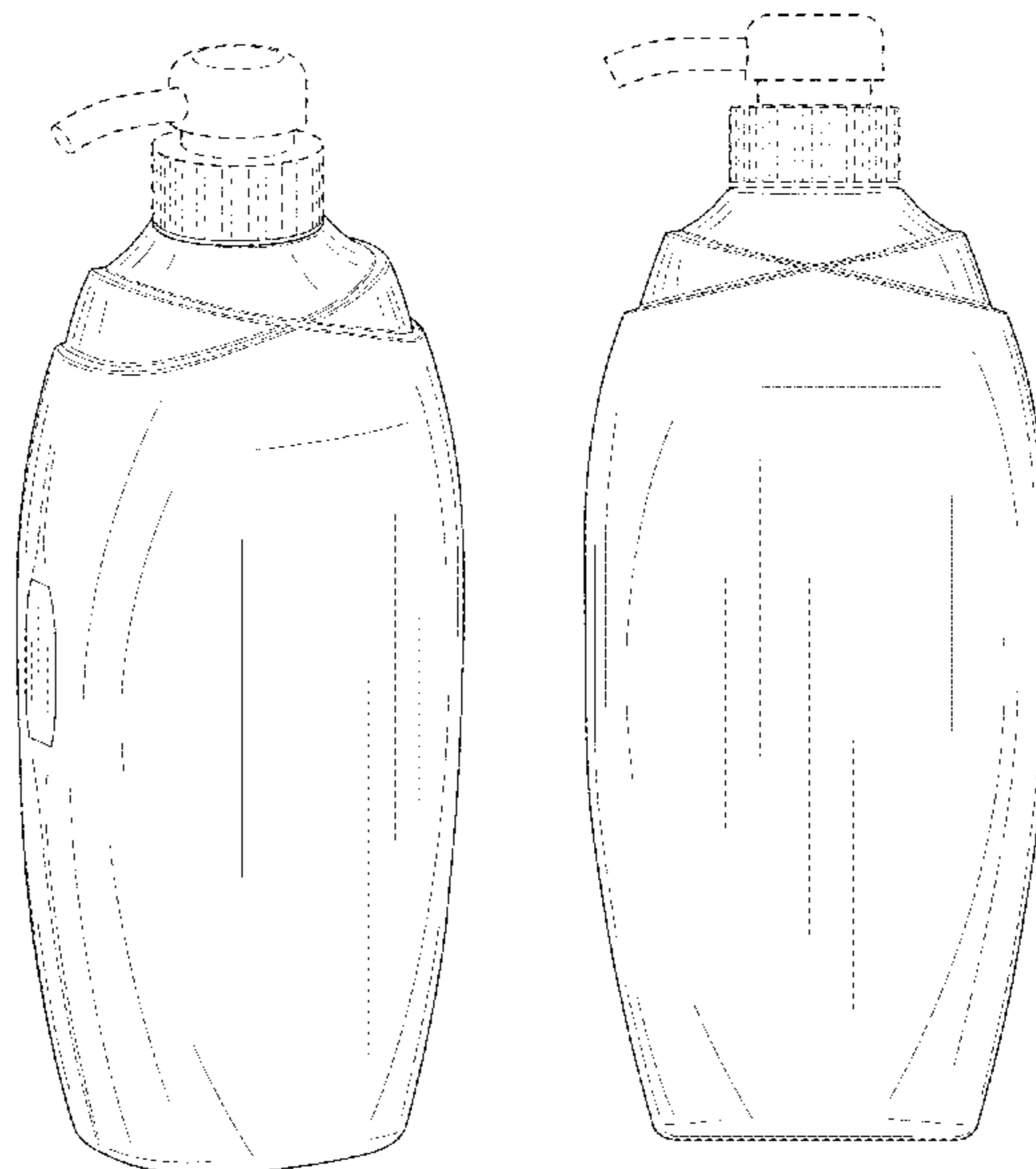
FIG. 5 is a right side view thereof;

FIG. 6 is a top view thereof; and,

FIG. 7 is a bottom view thereof.

The broken lines are included for the purpose of illustrating  
portions of the container that form no part of the claimed  
design.

**1 Claim, 5 Drawing Sheets**



(56)

References Cited

U.S. PATENT DOCUMENTS

D413,266 S \* 8/1999 Majerowski et al. .... D9/542

D418,064 S 12/1999 Pritchard et al.

D418,746 S \* 1/2000 Featherston et al. .... D9/682

6,039,224 A 3/2000 Dallas et al.

D423,361 S 4/2000 Negre

D433,339 S 11/2000 Colonna de Giovellina

D442,854 S \* 5/2001 Weber ..... D9/682

D444,389 S 7/2001 Bakic

D449,229 S \* 10/2001 Mohary et al. .... D9/558

D450,593 S 11/2001 Jebb et al.

D456,717 S 5/2002 Roher

D461,718 S 8/2002 Brozell

D463,744 S 10/2002 Brozell

D467,815 S 12/2002 Cummings

D468,214 S \* 1/2003 Kuzma et al. .... D9/558

D470,043 S \* 2/2003 Crawford ..... D9/682

D473,141 S 4/2003 Cummings

D485,308 S 1/2004 DeLuca

D494,870 S 8/2004 Bakic

D498,681 S 11/2004 Fenton et al.

D501,143 S 1/2005 Bakic

D504,620 S \* 5/2005 Kazuo et al. .... D9/685

D513,190 S 12/2005 Busa, Jr. et al.

D520,873 S 5/2006 Lovell

D526,902 S \* 8/2006 Cummings ..... D9/558

D527,640 S 9/2006 Cummings

D527,641 S 9/2006 Bakic

D529,810 S 10/2006 Davies et al.

D529,812 S 10/2006 Ratzlaff

D532,309 S 11/2006 Stolle

D538,665 S 3/2007 Wilson et al.

D539,141 S 3/2007 Penfold et al.

D539,144 S 3/2007 Penfold et al.

D546,695 S 7/2007 Penfold et al.

D554,515 S 11/2007 Toh

D557,146 S \* 12/2007 Penfold et al. .... D9/690

D569,736 S \* 5/2008 Oates et al. .... D9/694

D573,477 S 7/2008 Caldwell

D573,887 S 7/2008 Bouroullec et al.

D579,328 S 10/2008 Ribadeneira Mejia et al.

D584,148 S 1/2009 Stolle

D584,159 S 1/2009 Domoy et al.

D585,290 S 1/2009 Toh

D585,739 S 2/2009 Dombrowski et al.

D587,592 S \* 3/2009 Crawford ..... D9/563

D588,913 S 3/2009 Bakic

D594,747 S 6/2009 Moretti

D605,510 S 12/2009 Weber

D605,511 S 12/2009 Weber

D605,512 S 12/2009 Weber

D605,513 S 12/2009 Weber

D605,514 S 12/2009 Weber

D606,867 S 12/2009 Fugate et al.

D608,196 S 1/2010 Beilke

D608,197 S 1/2010 Gotsmich

D608,639 S 1/2010 Jackel et al.

D615,412 S 5/2010 Thomas et al.

D618,554 S 6/2010 Bruscha et al.

D629,298 S 12/2010 Wong

D635,024 S 3/2011 Stolle

D635,025 S 3/2011 Stolle

D635,026 S 3/2011 Stolle

D641,627 S 7/2011 Rosenauer

D648,626 S 11/2011 Oates et al.

D651,092 S 12/2011 Bowers et al.

D660,167 S 5/2012 Weaver et al.

D662,828 S 7/2012 Jackson et al.

D665,261 S 8/2012 Mazurkiewicz et al.

D666,095 S 8/2012 Blachford et al.

D666,104 S \* 8/2012 Cummings et al. .... D9/543

D666,107 S \* 8/2012 Blachford et al. .... D9/682

FOREIGN PATENT DOCUMENTS

AU  
AU

136636 3/1999  
144335 7/2001

AU 148421 7/2002

AU 148422 7/2002

AU 148967 8/2002

AU 152740 8/2003

AU 155767 6/2004

AU 157721 3/2005

AU 317525 1/2008

AU 317529 1/2008

AU 318358 3/2008

AU 329204 1/2010

AU 333674 11/2010

BR DI5500237-4 6/1997

BR DI5500411-3 6/1999

BR DI6500233-4 F 7/2005

BR DI6703669-4 F 4/2008

CA ID93401 9/2001

CA ID94298 12/2001

CA ID101916 12/2003

CA ID103089 1/2006

CA ID109736 7/2006

CN 3426019 \* 2/2005

CN 3559952 \* 9/2006

CN 301289557 \* 7/2010

CN 301391343 \* 11/2010

EM 000048475-0001 6/2003

EM 000112586-0001 12/2003

EM 000145446-0005 3/2004

EM 000145446-0014 3/2004

EM 000145446-0015 3/2004

EM 000226774-0001 9/2004

EM 000294038-0002 2/2005

EM 000354766-0001 6/2005

EM 000494059-0002 3/2006

EM 000514716-0001 4/2006

EM 000514716-0002 4/2006

EM 000514716-0003 4/2006

EM 000530845-0002 5/2006

EM 000546452-0001 6/2006

EM 000546452-0003 6/2006

EM 000623731-0002 11/2006

EM 000663844-0001 2/2007

EM 000780416-0011 8/2007

EM 000780416-0012 8/2007

EM 000780416-0013 8/2007

EM 000824925-0001 11/2007

EM 000824925-0009 11/2007

EM 001031017-0001 10/2008

EM 001139281-0001 5/2009

EM 001608860-0001 9/2009

EM 001609165-0001 9/2009

EM 001181440-0006 11/2009

EM 001207971-0001 4/2010

EM 001850405-0001 4/2011

EM 001896739-0001 7/2011

EM 001896739-0005 \* 8/2011

JP D1270533 \* 5/2006

JP D1297607 \* 4/2007

JP D1284947 \* 10/2009

KR 300433701.0000 \* 12/2006

KR 300459058.0000 \* 8/2007

KR 300534910.0000 \* 7/2009

KR D1373526 \* 11/2009

KR D1373527 \* 11/2009

KR 300643859.0000 \* 5/2012

RU 50313 5/2002

RU 53318 10/2003

RU 54584 6/2004

RU 55622 11/2004

RU 56617 4/2005

RU 56618 4/2005

RU 57358 8/2005

RU 57360 8/2005

RU 57587 9/2005

RU 65541 2/2008

RU 69852 4/2009

RU 69858 4/2009

RU 78087 4/2011

RU 79255 8/2011

TR 9483 9/2000

# US D690,204 S

Page 3

---

TR	200300267	2/2003
TR	200303620	11/2003
TR	200502903	7/2005
TR	200503087	8/2005
TR	200604584	10/2006
TR	200605507	12/2006
TR	200705900	11/2007
TR	200802307	4/2008

TR	200804579	8/2008
TR	200806202	12/2008
TR	200900444	2/2009
TR	201000712	2/2010
TR	201003002	5/2010
TR	201105512	9/2011

\* cited by examiner



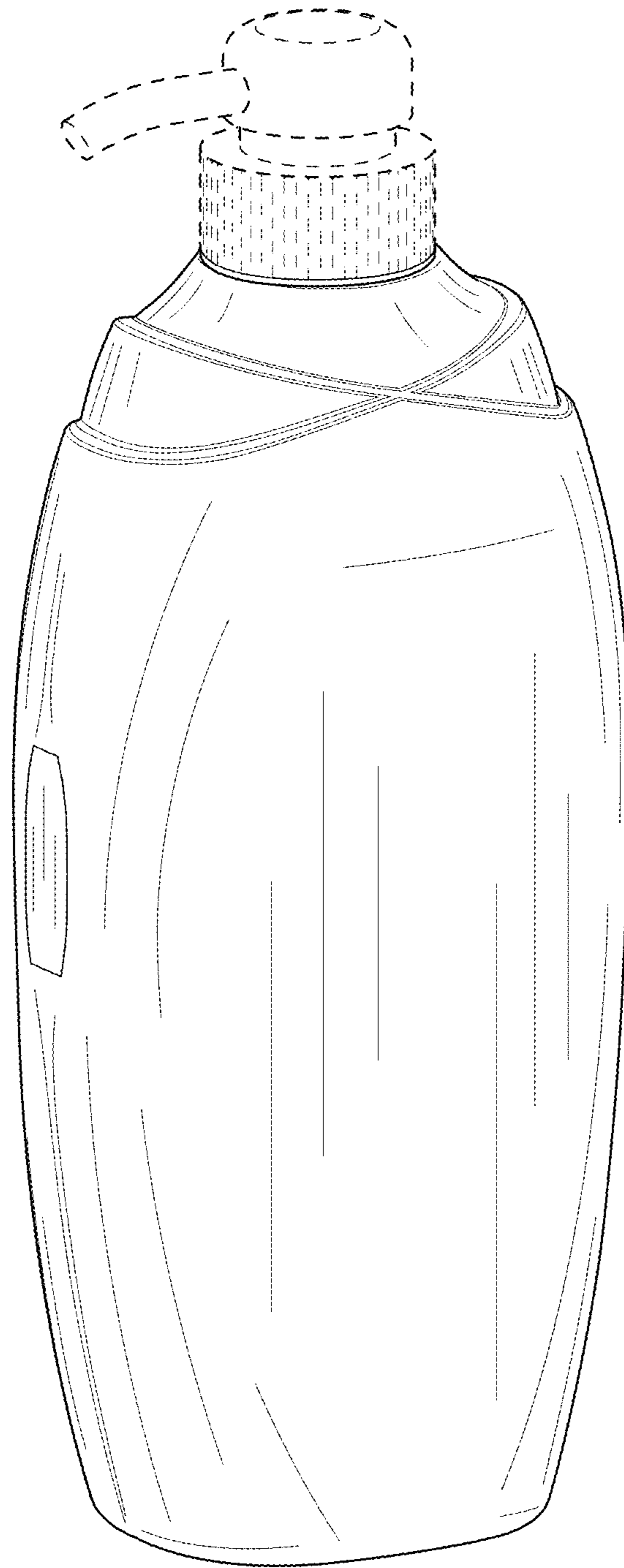


FIG. 1

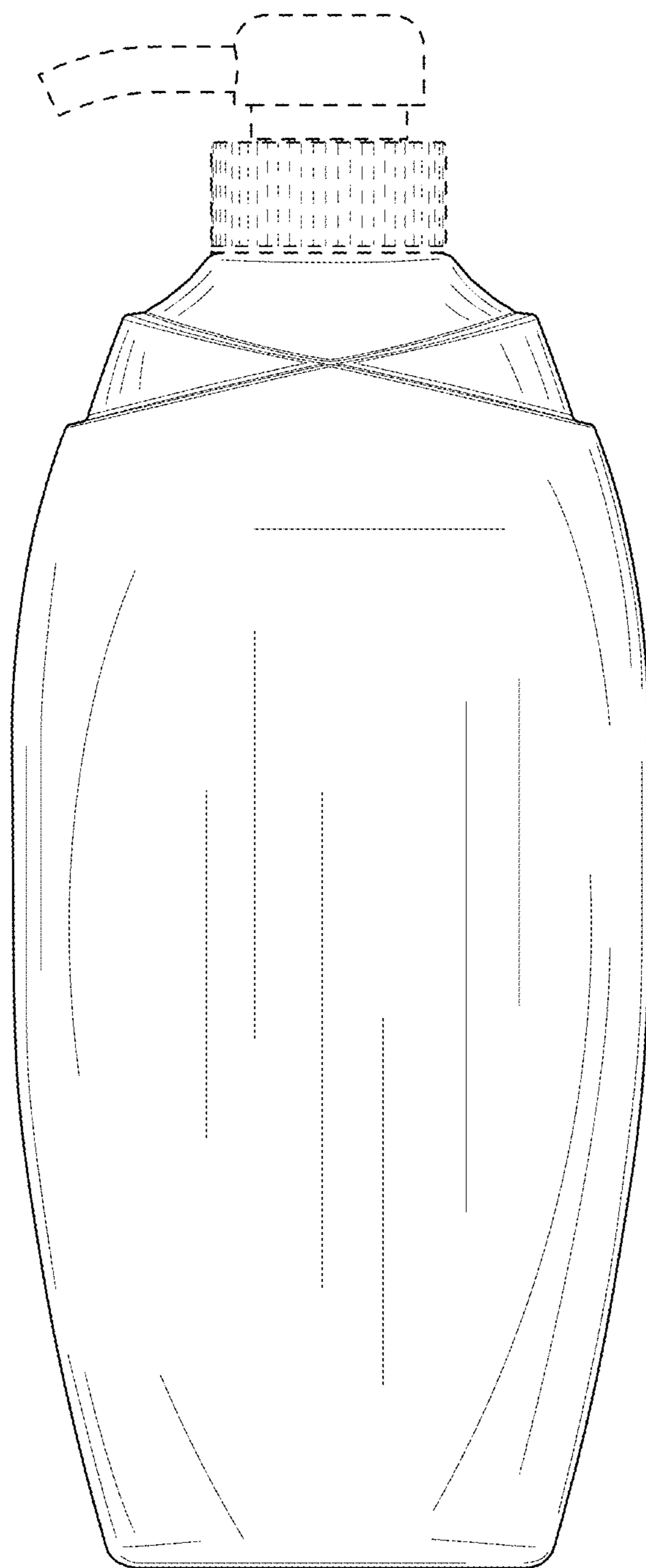


FIG. 2

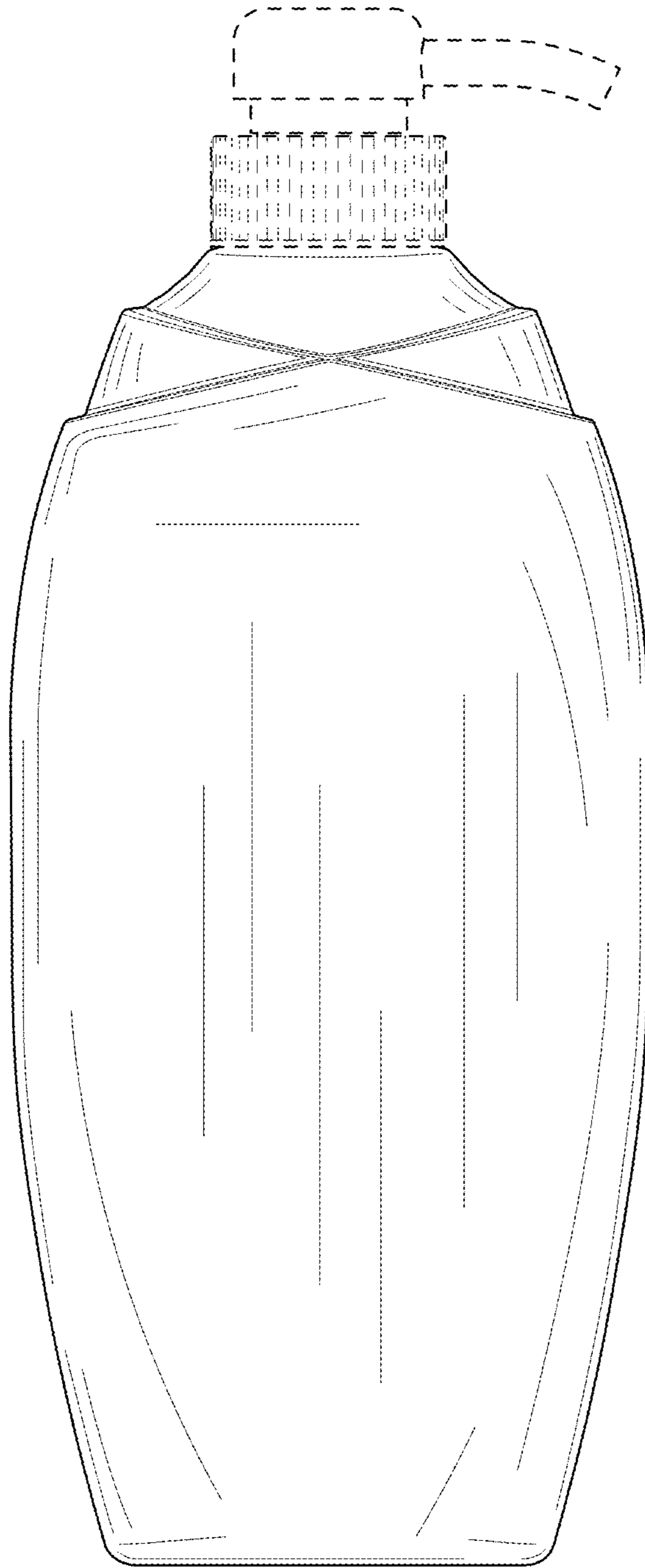


FIG. 3

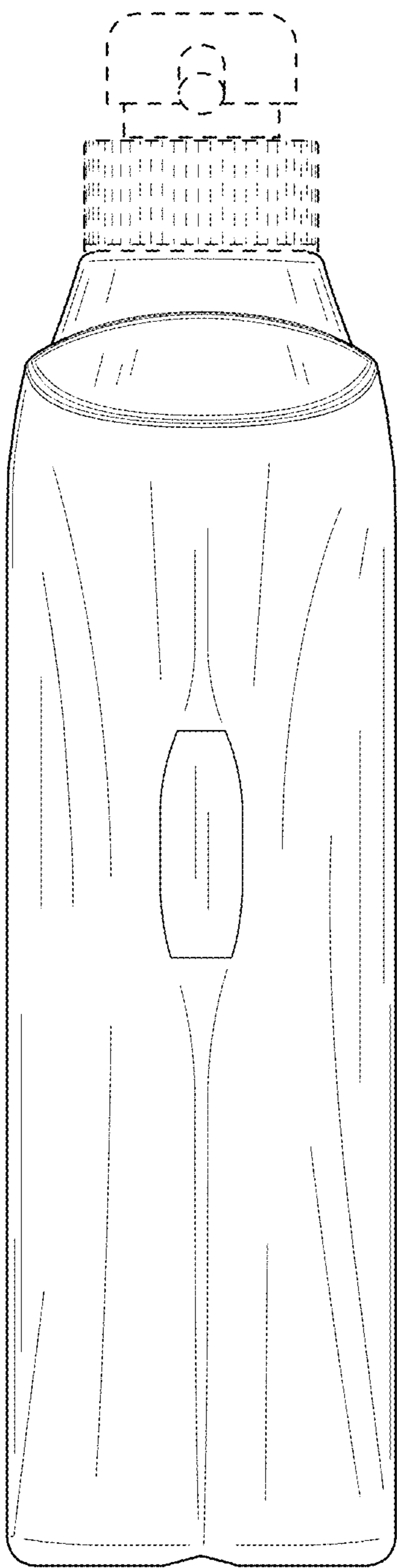


FIG. 4

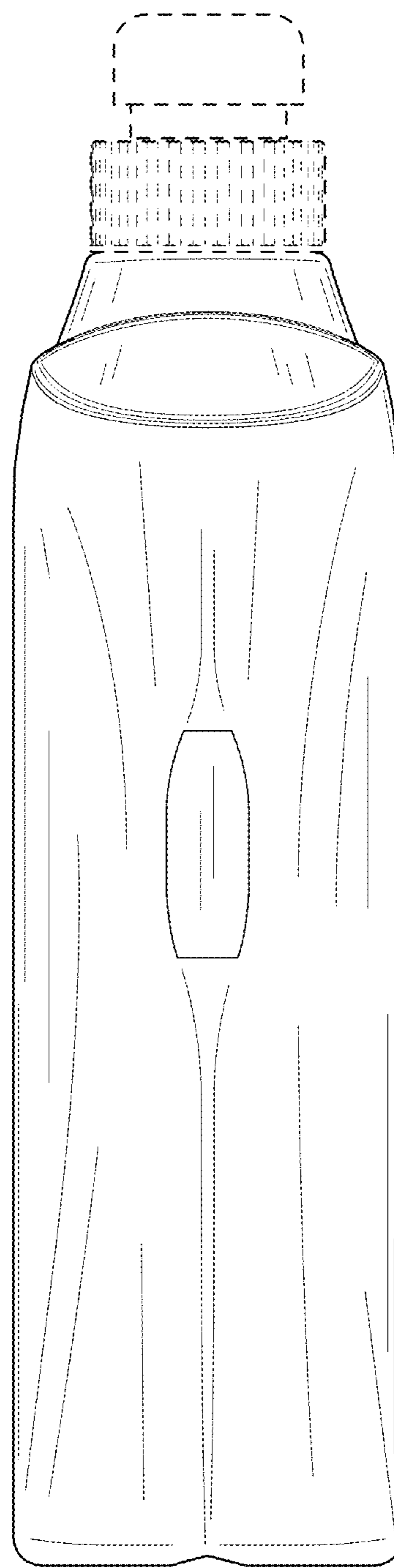


FIG. 5

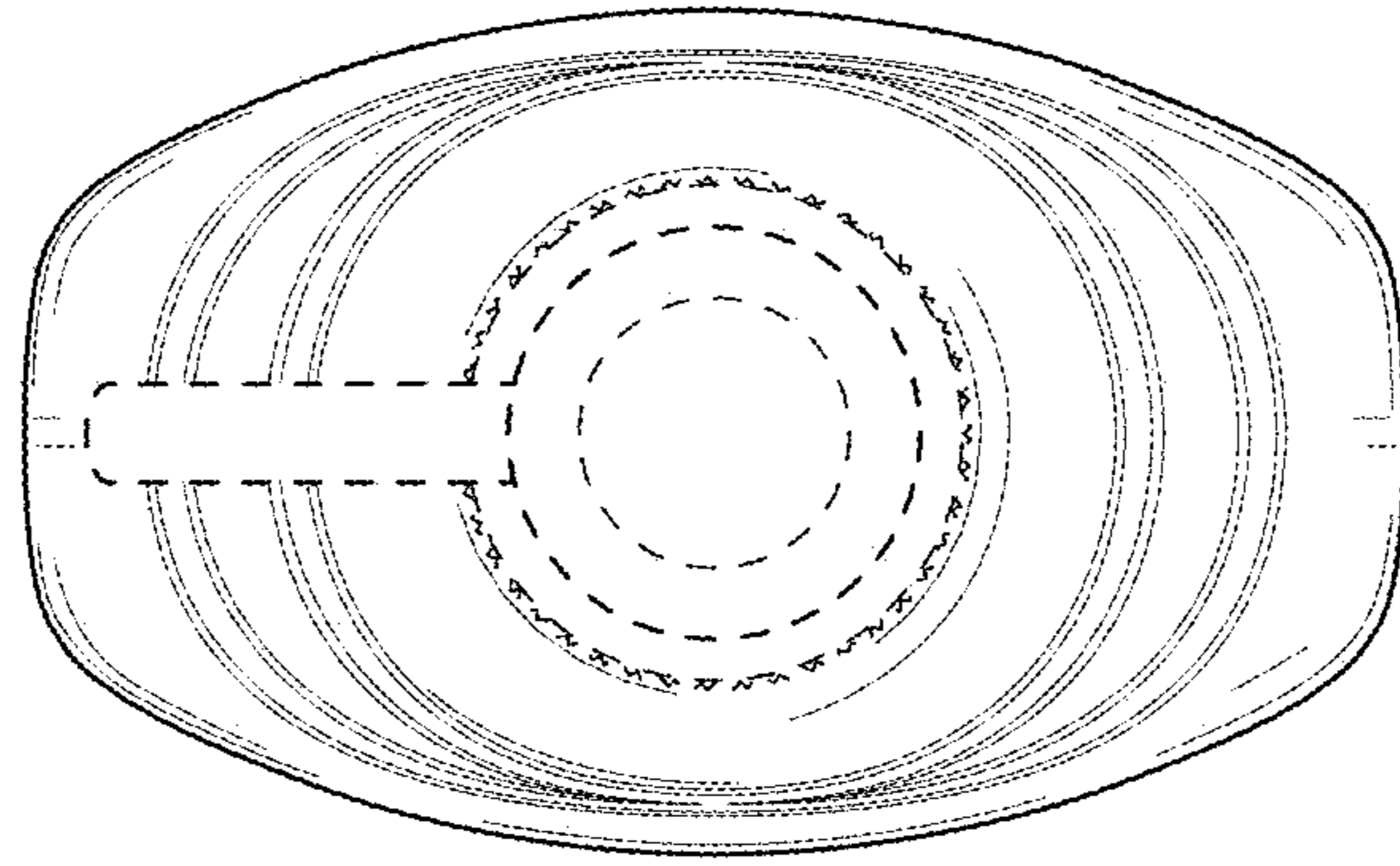


FIG. 6

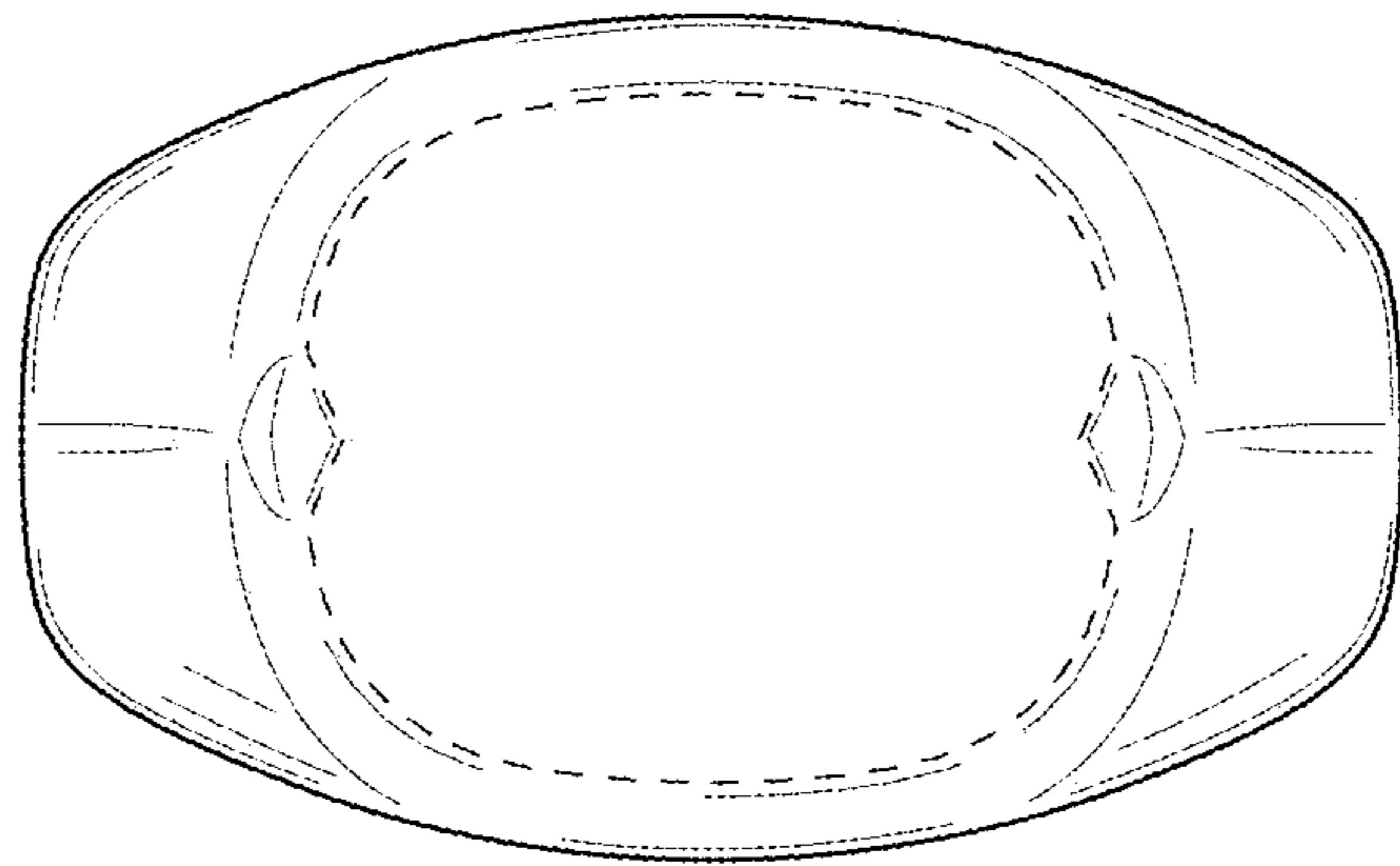


FIG. 7