



US00D690203S

(12) **United States Design Patent**
Hall et al.

(10) **Patent No.:** **US D690,203 S**

(45) **Date of Patent:** **** Sep. 24, 2013**

(54) **DOUBLE-HANDLE POURABLE PRODUCT CONTAINER**

8,235,214 B2 * 8/2012 Eiten et al. 206/509
D672,657 S * 12/2012 Hall D9/531
2010/0326872 A1 * 12/2010 Rivera et al. 206/509

(71) Applicant: **Buddeez, Inc.**, Wentzville, MO (US)

* cited by examiner

(72) Inventors: **Charles E. Hall**, Wentzville, MO (US);
William A. Hall, Dardenne Prairie, MO (US)

Primary Examiner — Keli L Hill

(74) *Attorney, Agent, or Firm* — Joseph M. Rolnicki; Evans & Dixon, LLC

(73) Assignee: **Buddeez, Inc.**, Wentzville, MO (US)

(**) Term: **14 Years**

(57) **CLAIM**

The ornamental design for a double-handle pourable product container, as shown and described.

(21) Appl. No.: **29/444,429**

(22) Filed: **Jan. 30, 2013**

DESCRIPTION

(51) **LOC (9) Cl.** **09-01**

(52) **U.S. Cl.**
USPC **D9/533**

(58) **Field of Classification Search**
USPC D9/516, 520, 523, 528, 530, 531,
D9/533, 536, 538, 539, 541–543, 559, 560,
D9/567, 569, 572; 215/381–385; 220/660,
220/669, 675; D23/211.1, 211.2
See application file for complete search history.

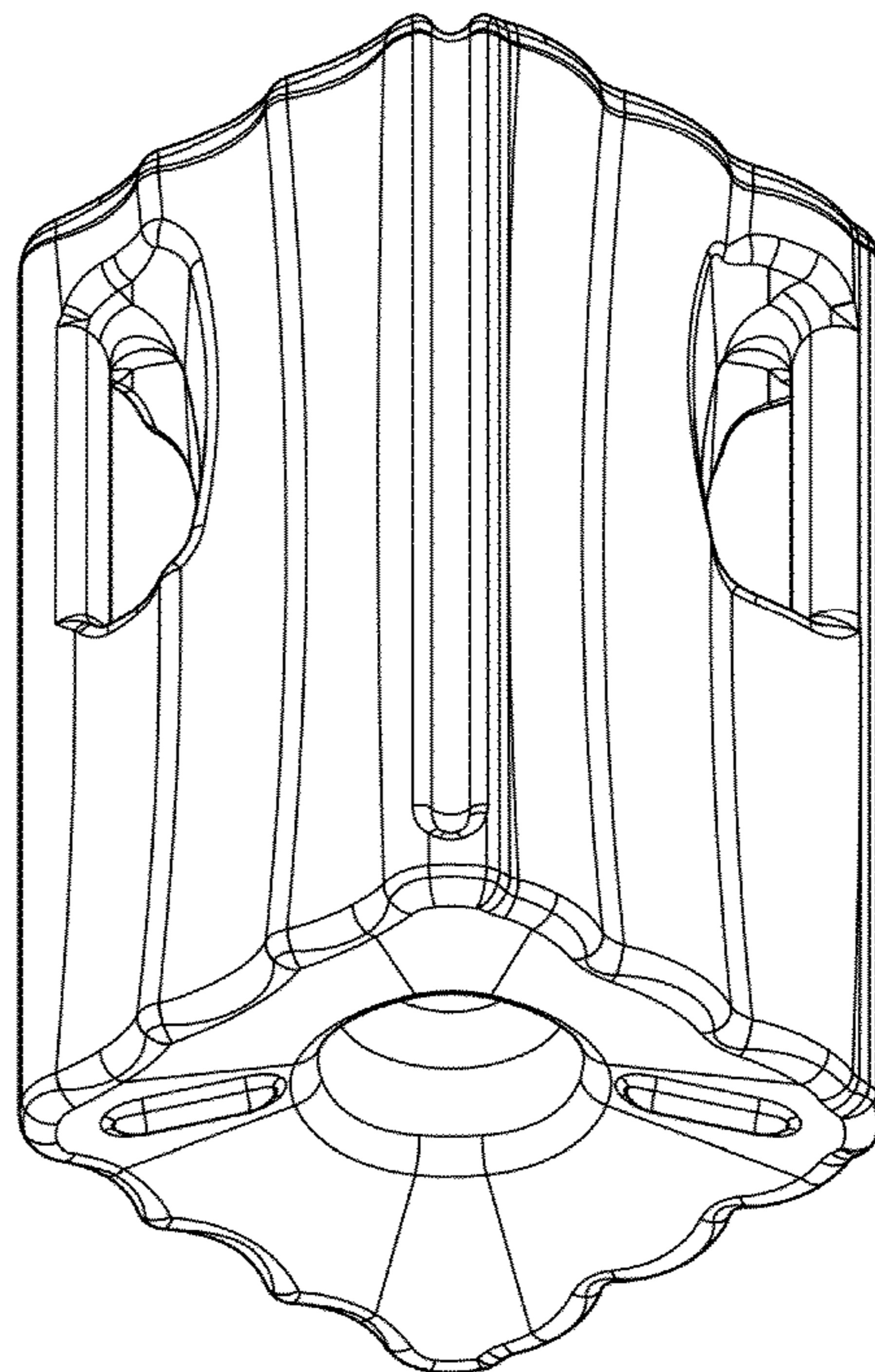
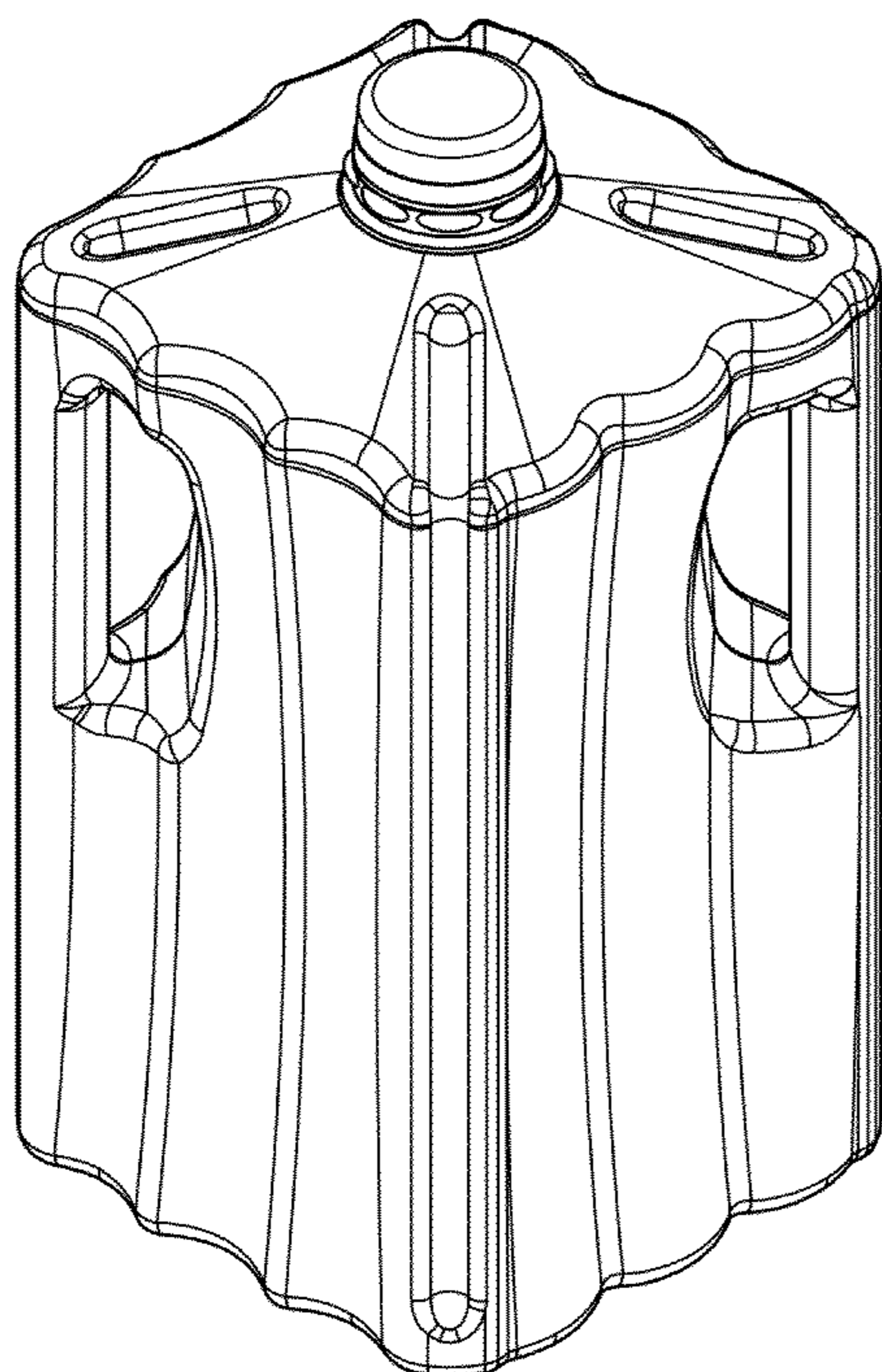
FIG. 1 is a top perspective view of a double-handle pourable product container, embodying our new design;
FIG. 2 is a bottom perspective view thereof;
FIG. 3 is a top perspective view thereof, rotated 90 degrees to the left from FIG. 1;
FIG. 4 is a bottom perspective view thereof, in the position disclosed in FIG. 3;
FIG. 5 is a side elevation view thereof, showing the right side of the position shown in FIG. 1;
FIG. 6 is a side elevation view thereof, rotated 90 degrees to the left from FIG. 5;
FIG. 7 is a side elevation view thereof, rotated 90 degrees to the left from FIG. 6;
FIG. 8 is a side elevation view thereof, rotated 90 degrees to the left from FIG. 7;
FIG. 9 is a top plan view thereof; and,
FIG. 10 is a bottom plan view thereof.

(56) **References Cited**

U.S. PATENT DOCUMENTS

D282,347 S *	1/1986	Steiner	D9/520
D309,260 S *	7/1990	Conrad	D9/528
D328,704 S *	8/1992	Simmel et al.	D9/533
D419,076 S *	1/2000	Dull	D9/533
D434,326 S *	11/2000	Smorch	D9/520
D461,719 S *	8/2002	Nicodemus et al.	D9/533
D559,111 S *	1/2008	Reimann et al.	D9/531

1 Claim, 10 Drawing Sheets



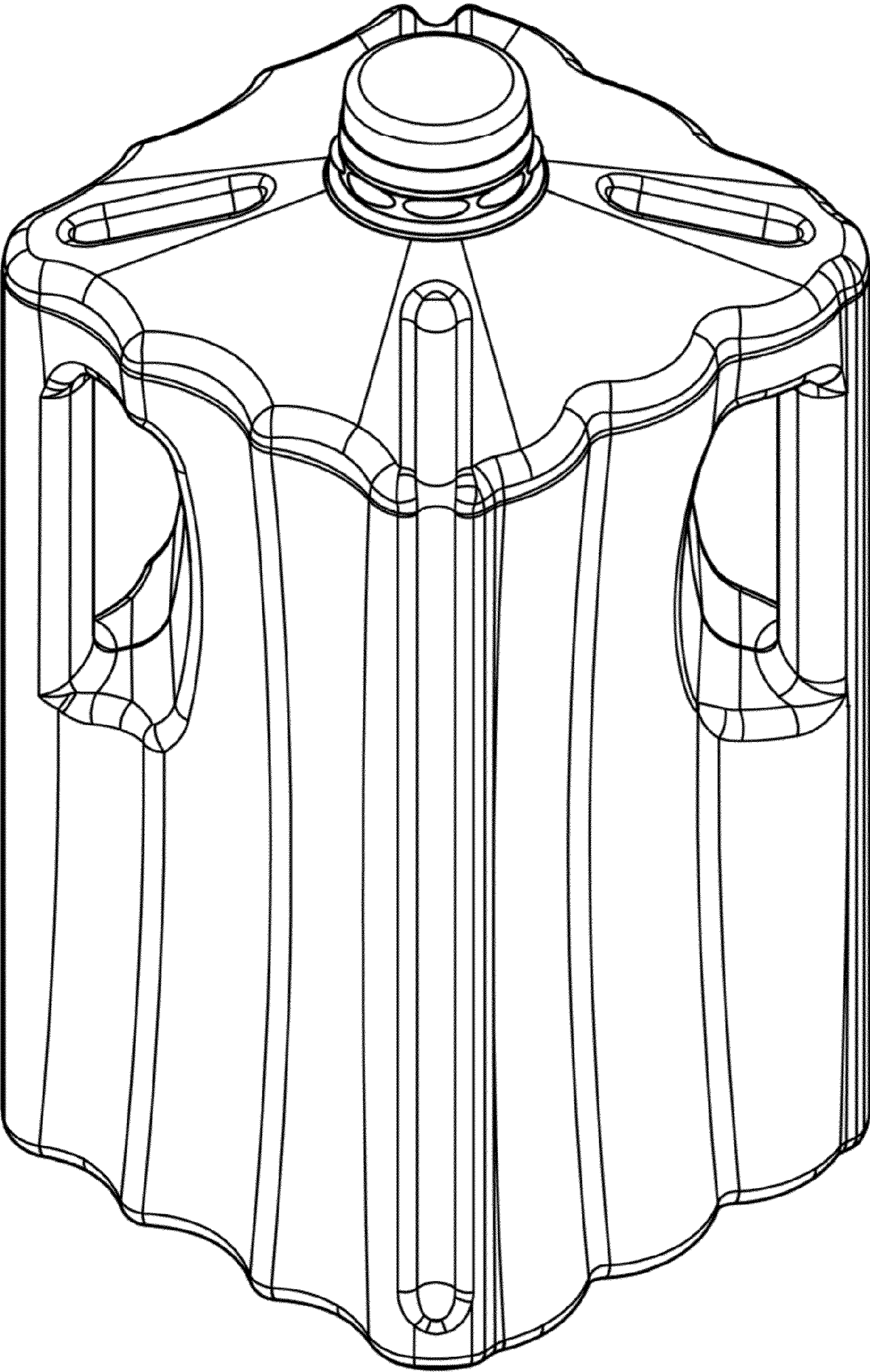


FIG. 1

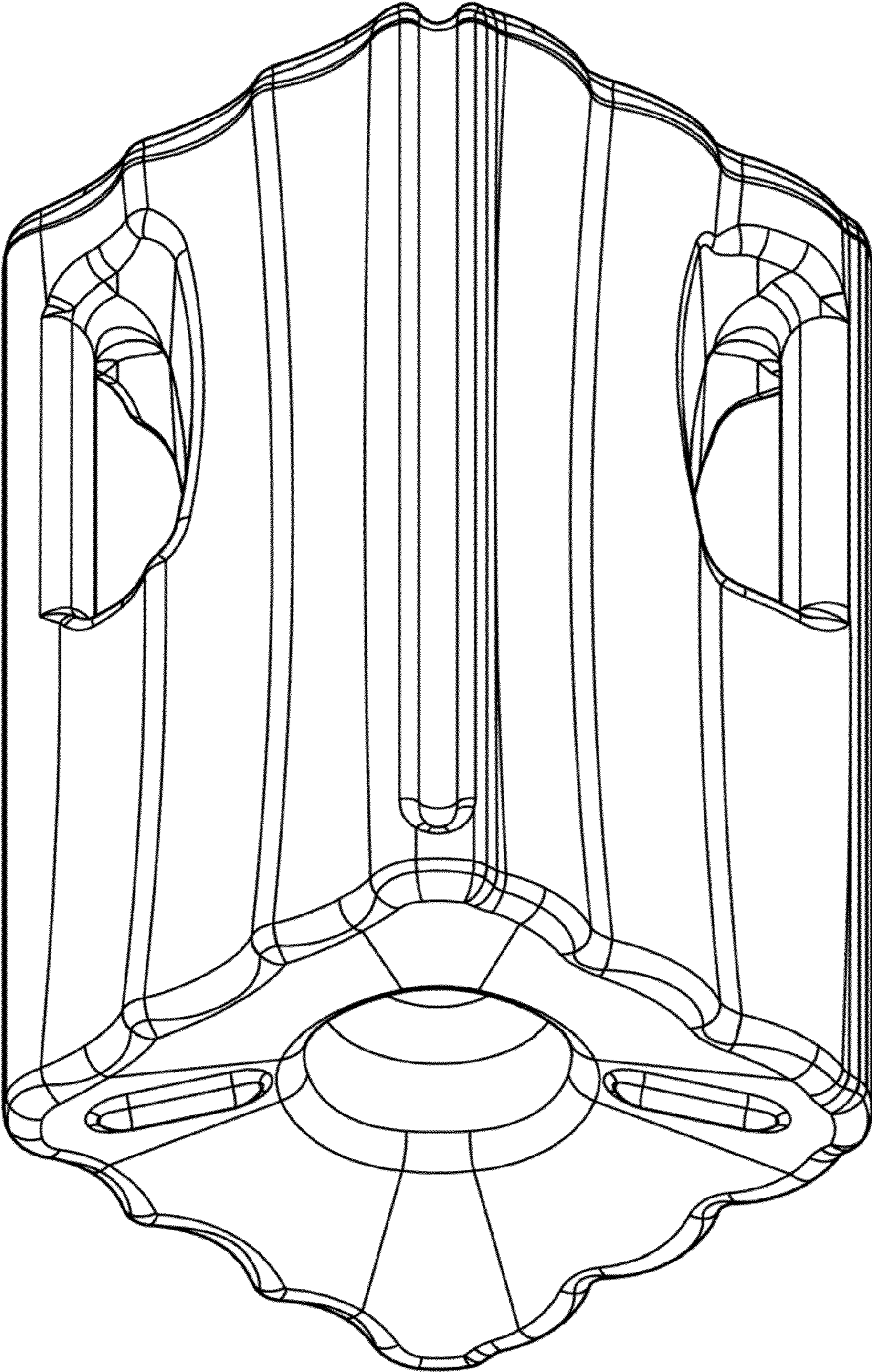


FIG. 2

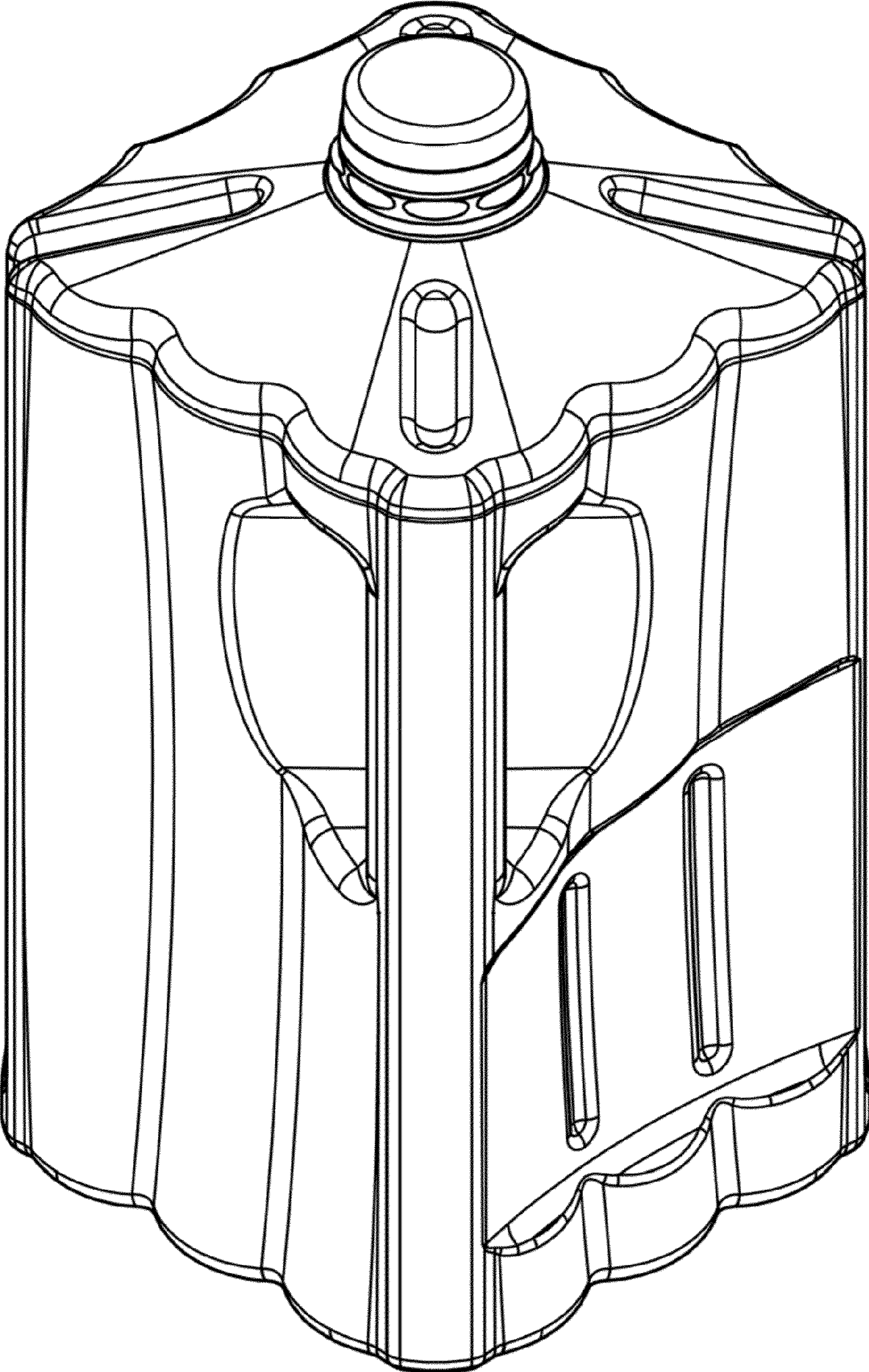


FIG. 3

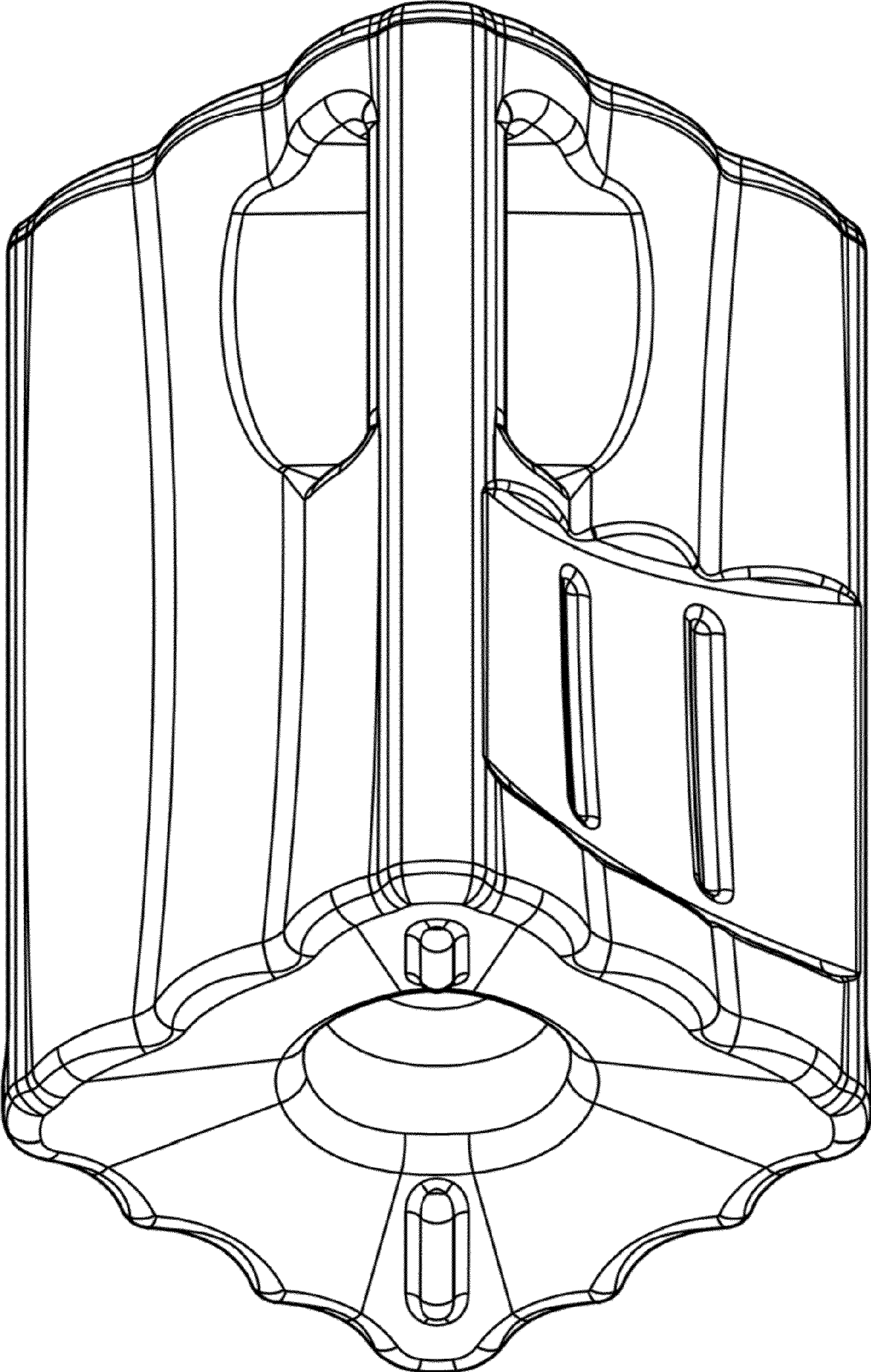


FIG. 4

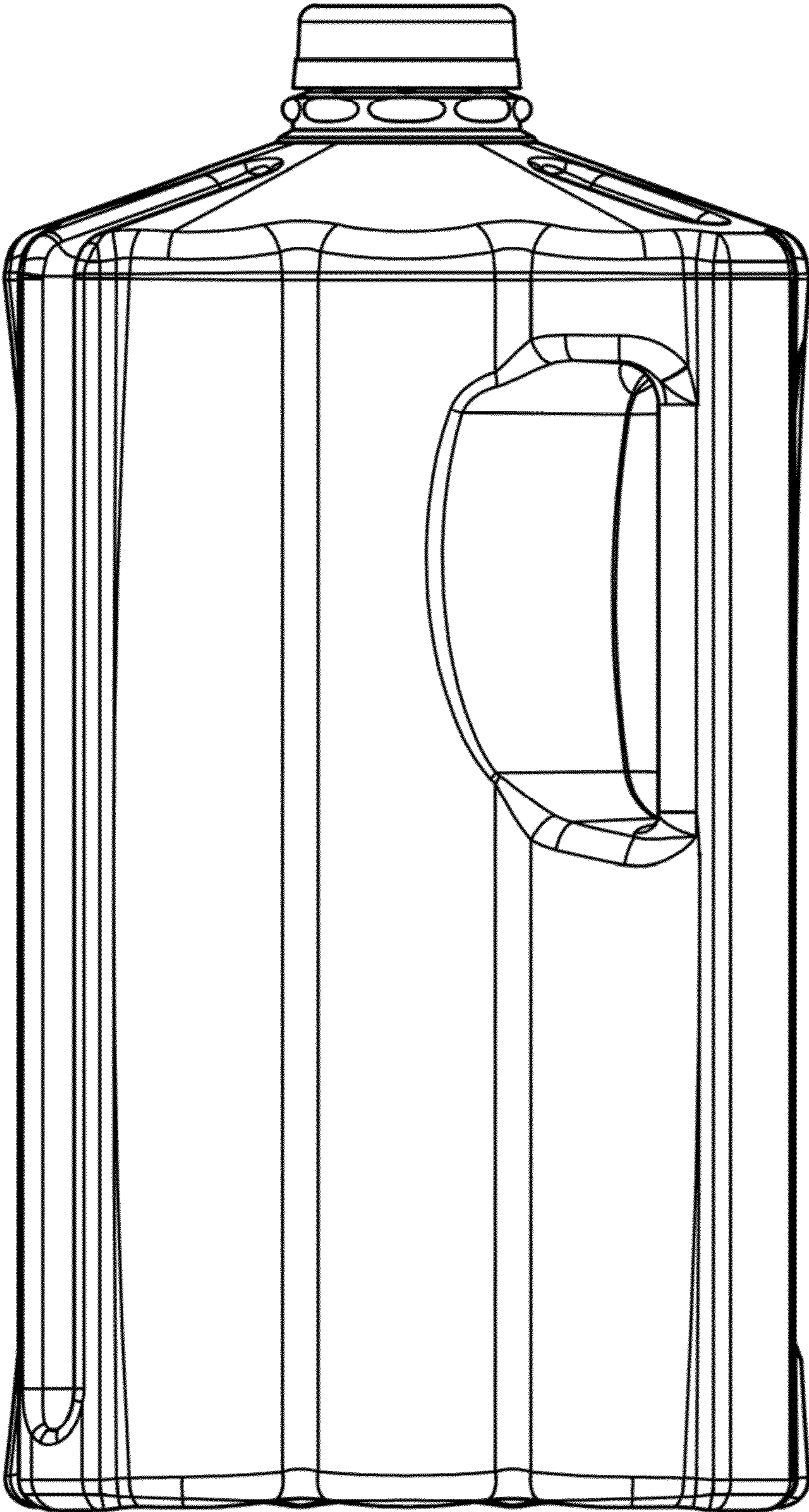


FIG. 5

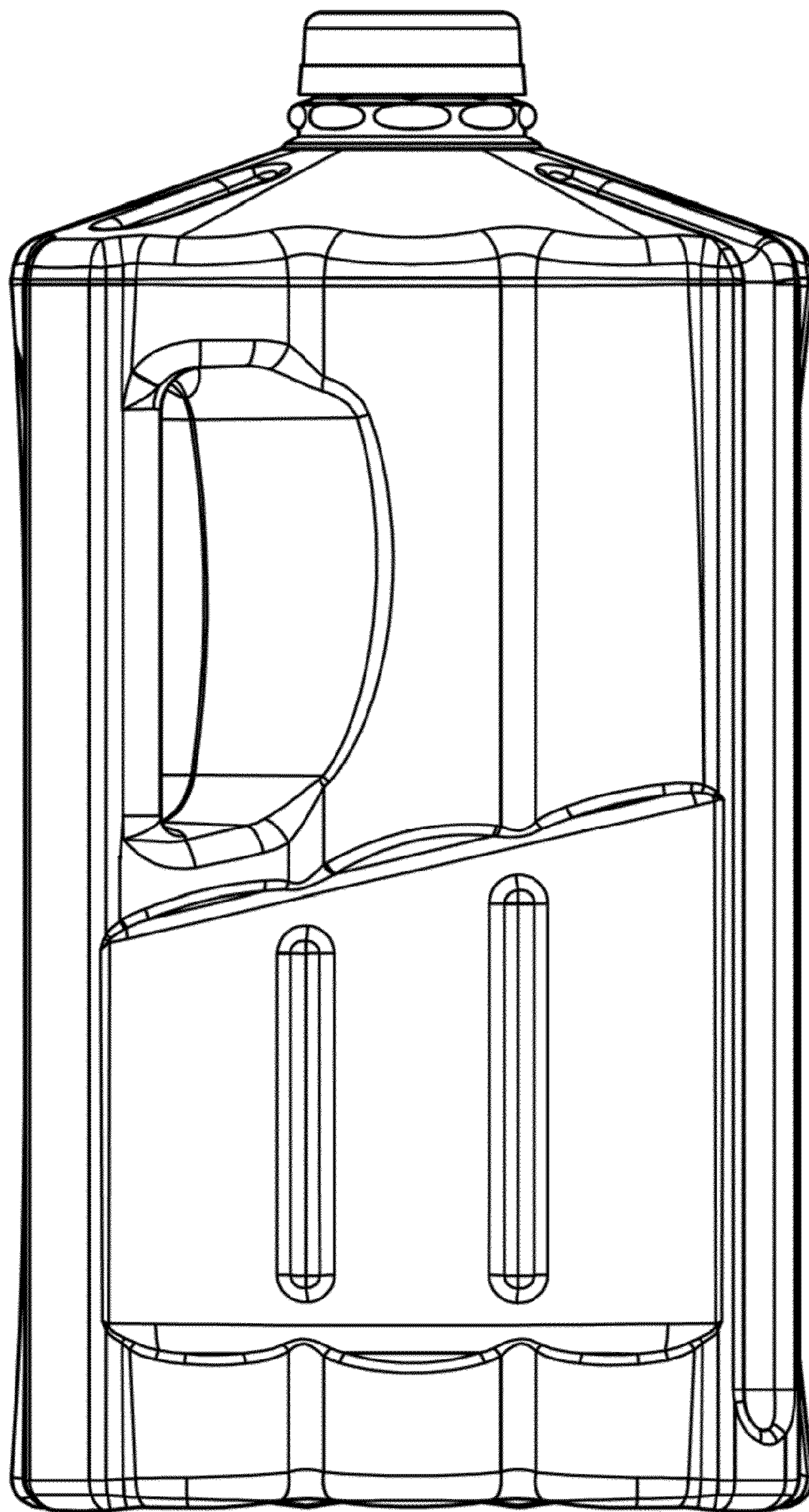


FIG. 6

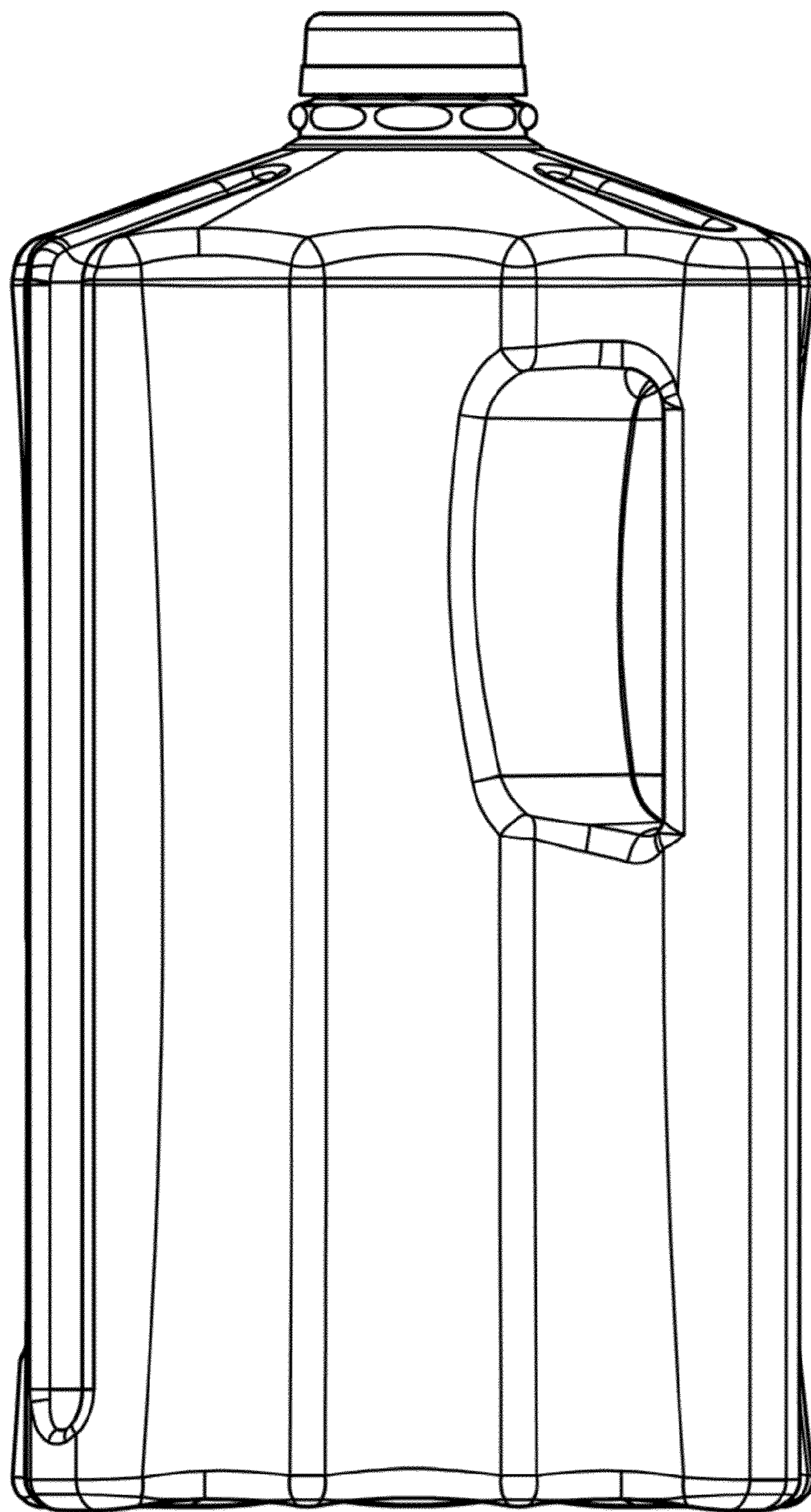


FIG. 7

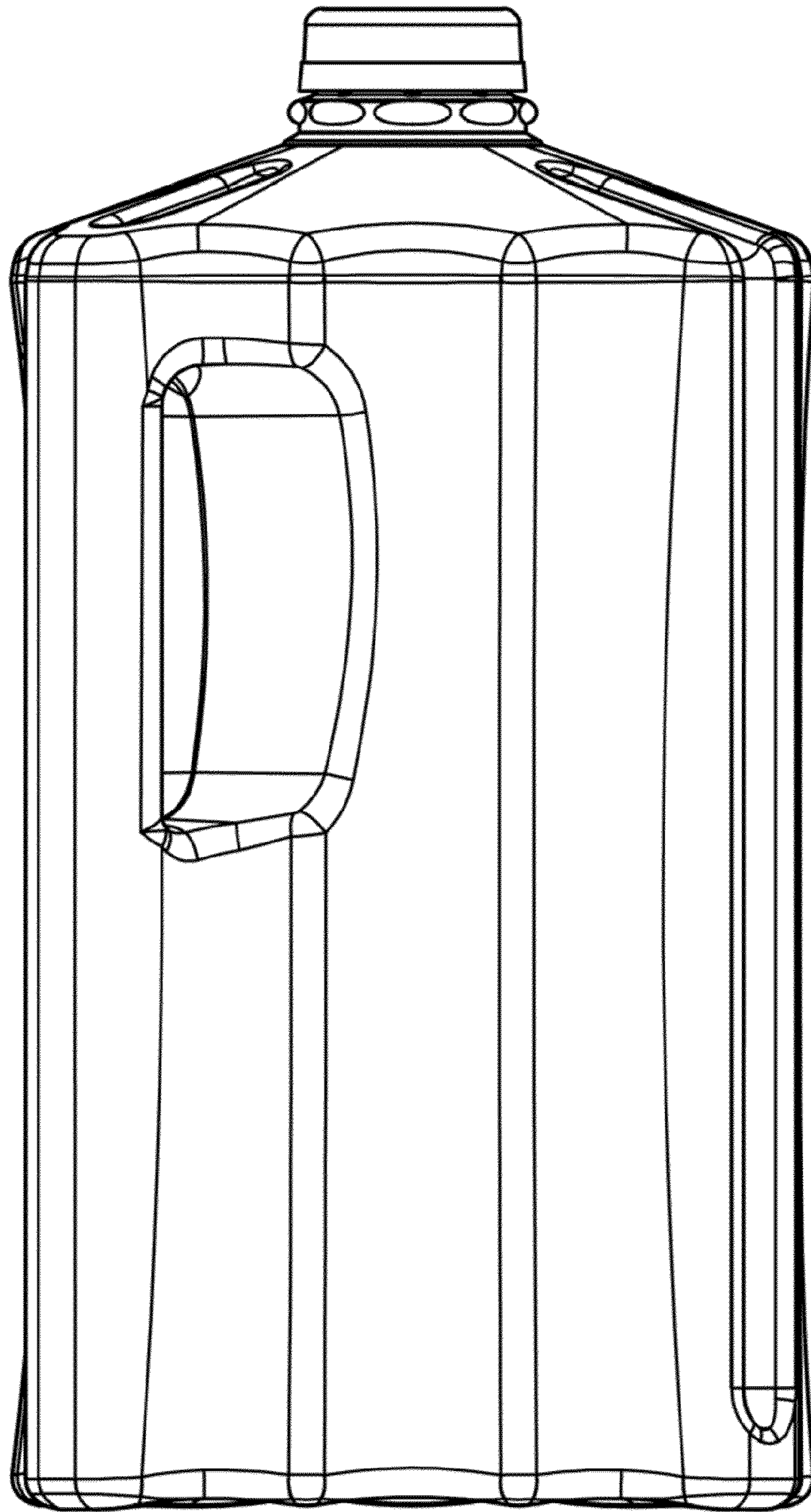


FIG. 8

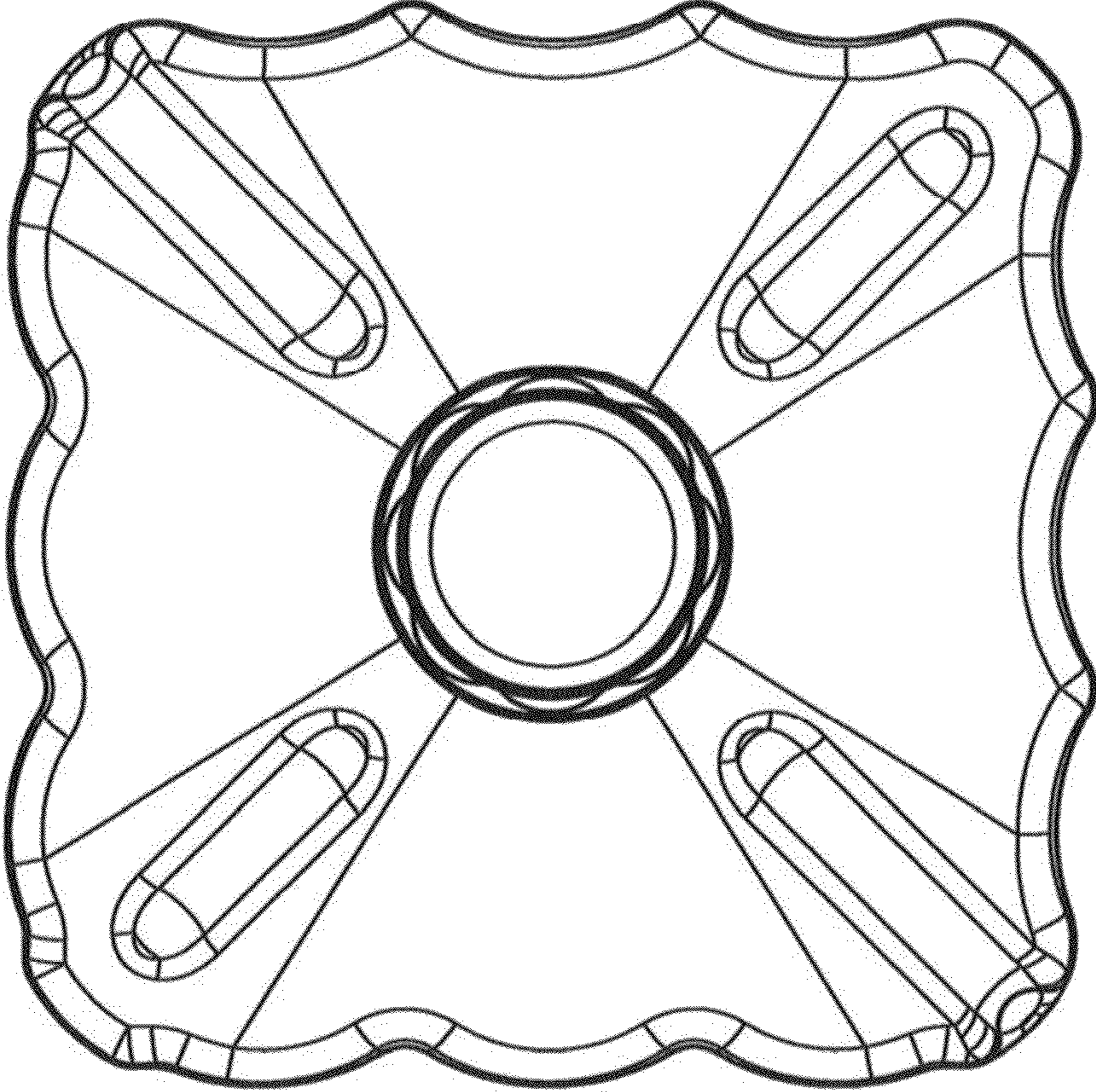


FIG. 9

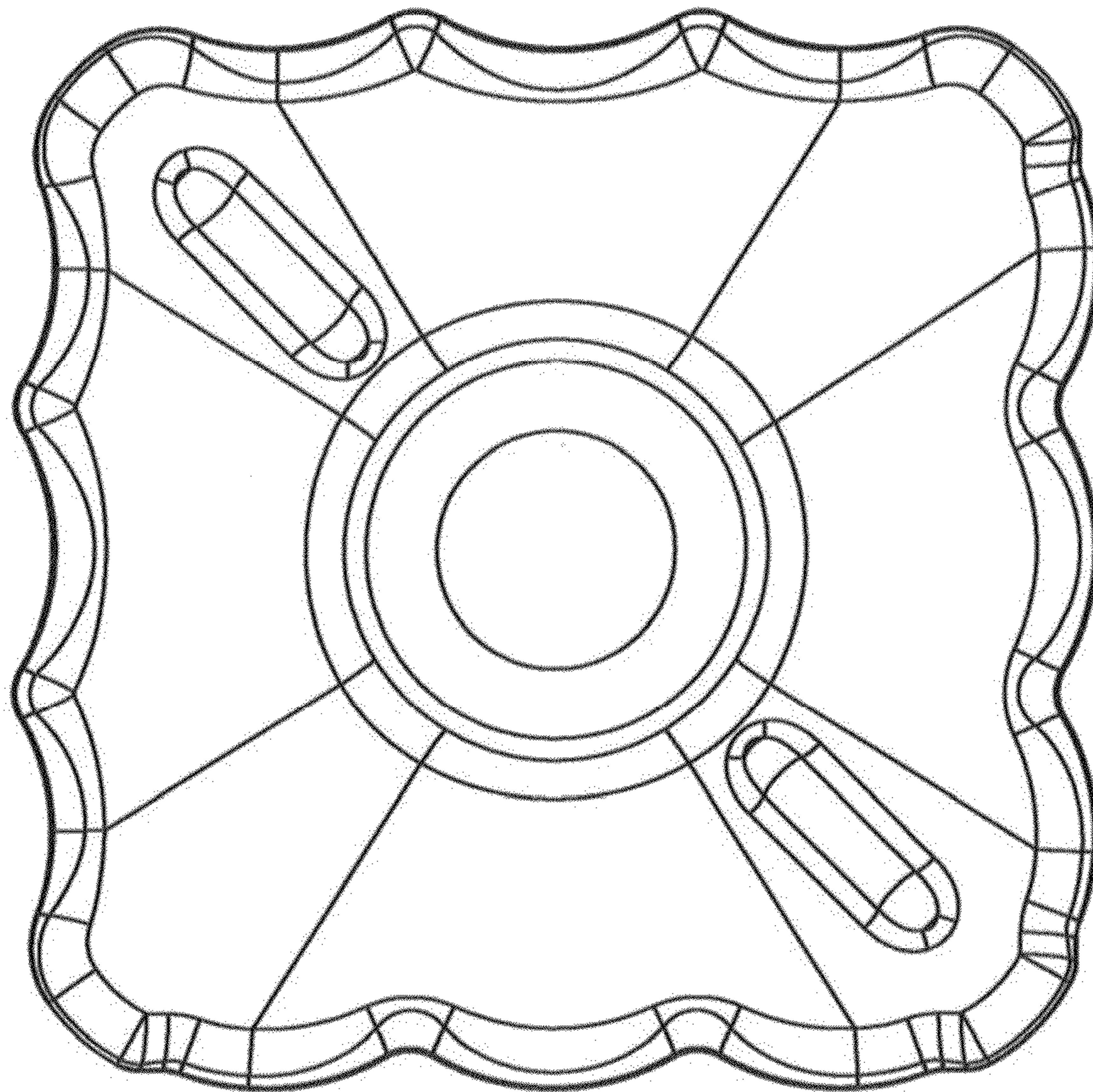


FIG. 10