



US00D690195S

(12) **United States Design Patent**
Kalberer et al.

(10) **Patent No.:** **US D690,195 S**
(45) **Date of Patent:** **** Sep. 24, 2013**

(54) **CARTON WITH FITMENT**

(74) *Attorney, Agent, or Firm* — J. Bennett Mullinax, LLC

(75) Inventors: **Roderick W Kalberer**, Waynesville, NC (US); **Celso S. Martinez**, Collierville, TN (US); **Bruce Bitowft**, Memphis, TN (US); **Jeffrey M. Kalman**, Cleveland Heights, OH (US); **Todd Midkiff**, Noblesville, IN (US); **Jason S. Andrews**, Indianapolis, IN (US); **Andrew B. Mendenhall**, Mooresville, IN (US)

(57) **CLAIM**
The ornamental design for a carton with fitment, as shown and described.

(73) Assignee: **Evergreen Packaging, Inc.**, Memphis, TN (US)

DESCRIPTION

(**) Term: **14 Years**

FIG. 1 is a perspective view of the carton with fitment according to the present invention;
FIG. 2 is a front view of the carton with fitment as seen in FIG. 1;
FIG. 3 is a back view of the carton with fitment as shown in FIG. 1;
FIG. 4 is a left side view of the carton with fitment as shown in FIG. 1;
FIG. 5 is a right side view of the carton with fitment as shown in FIG. 1;
FIG. 6 is a top view of the carton with fitment as shown in FIG. 1;
FIG. 7 is a bottom view of the carton with fitment as shown in FIG. 1;
FIG. 8 is an enlarged perspective view of the fitment as shown in FIG. 1;
FIG. 9 is an enlarged back view of the fitment as shown in FIG. 3;
FIG. 10 is an enlarged left view of the fitment as shown in FIG. 4;
FIG. 11 is a top view of the fitment as shown in FIG. 6;
FIG. 12 is a perspective view of the carton with fitment according to the present invention with the fitment in an open position;
FIG. 13 is a front view of the carton with fitment according to FIG. 12;
FIG. 14 is a left side view of the carton with fitment according to FIG. 12; and,
FIG. 15 is an enlarged perspective view of the fitment as seen in FIG. 12.
The broken lines shown in the drawing disclosure depict environmental features that form no part of the claimed design.

(21) Appl. No.: **29/422,170**

(22) Filed: **May 17, 2012**

(51) **LOC (9) Cl.** **09-03**

(52) **U.S. Cl.**
USPC **D9/430; D9/417; D9/420**

(58) **Field of Classification Search**
USPC D9/414, 416–418, 420–424, 430–433, D9/434–435; D3/202, 304, 315; 206/427, 206/557, 521.15, 736; 229/100, 101, 103.2, 229/108, 108.1, 117.09, 200, 215, 125.01, 229/182.1

See application file for complete search history.

(56) **References Cited**

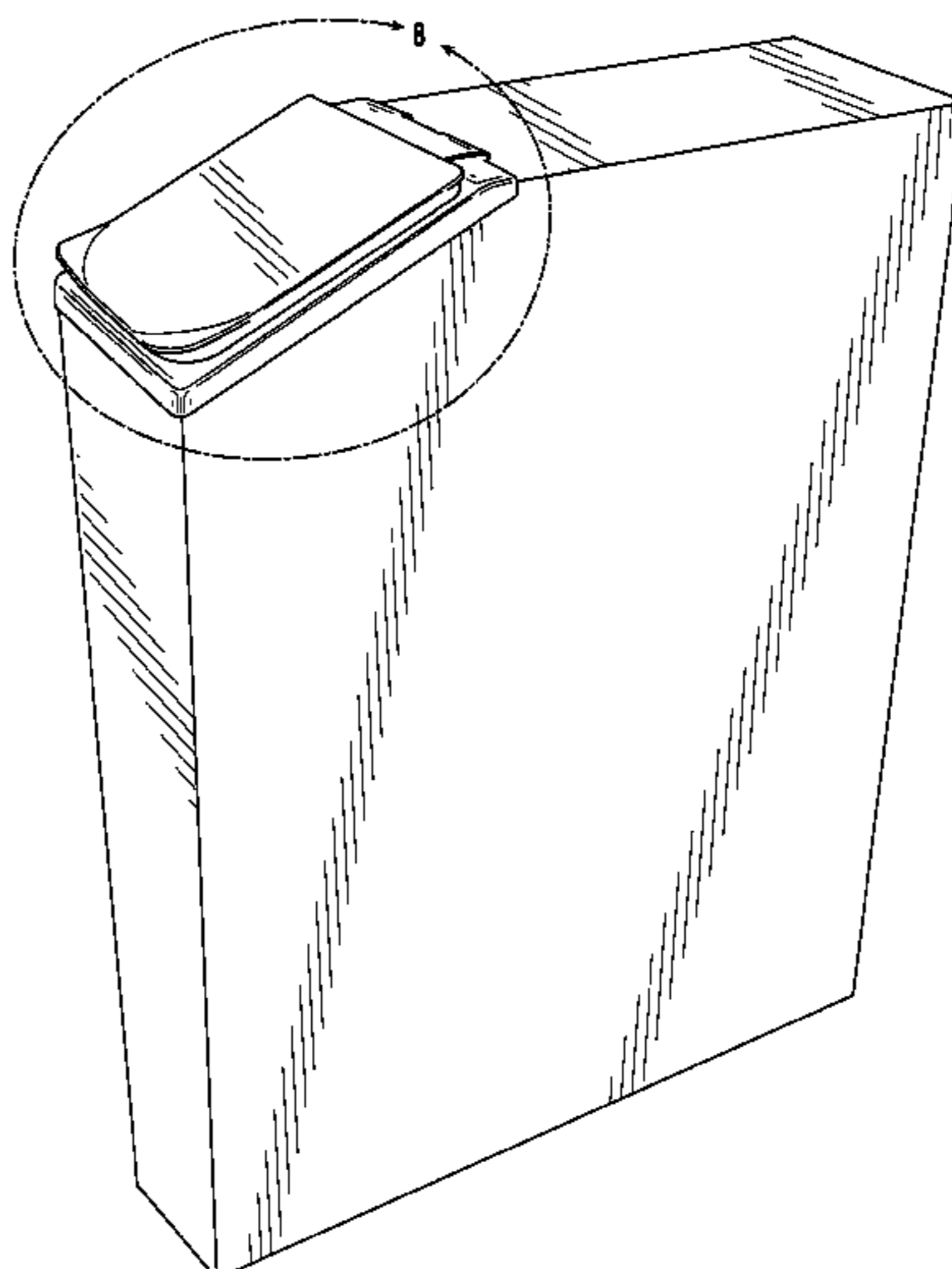
U.S. PATENT DOCUMENTS

D170,639 S	10/1953	Hoffman	
D250,573 S	12/1978	Evangelists et al.	
4,572,422 A *	2/1986	Heuberger et al. 229/117.3
D328,431 S	8/1992	Skidmore et al.	
D340,642 S	10/1993	Detzel et al.	
5,551,600 A	9/1996	Sasaki et al.	

(Continued)

Primary Examiner — Susan Bennett Hattan
Assistant Examiner — Vy Koenig

1 Claim, 11 Drawing Sheets



(56)

References Cited

U.S. PATENT DOCUMENTS

5,829,637 A 11/1998 Takemura et al.
D433,045 S 10/2000 Yamano et al.
6,131,806 A 10/2000 Hess et al.
6,228,011 B1 5/2001 Takemura et al.
D556,035 S 11/2007 Peeters
D571,216 S 6/2008 Christian et al.

D586,221 S 2/2009 Shaikh
D586,656 S 2/2009 Mount
D637,074 S * 5/2011 Maki et al. D9/417
D677,158 S * 3/2013 Delaney et al. D9/449
2002/0053592 A1 5/2002 Urtubey
2005/0211754 A1 9/2005 Fulcher
2008/0006680 A1 1/2008 Hernandez

* cited by examiner

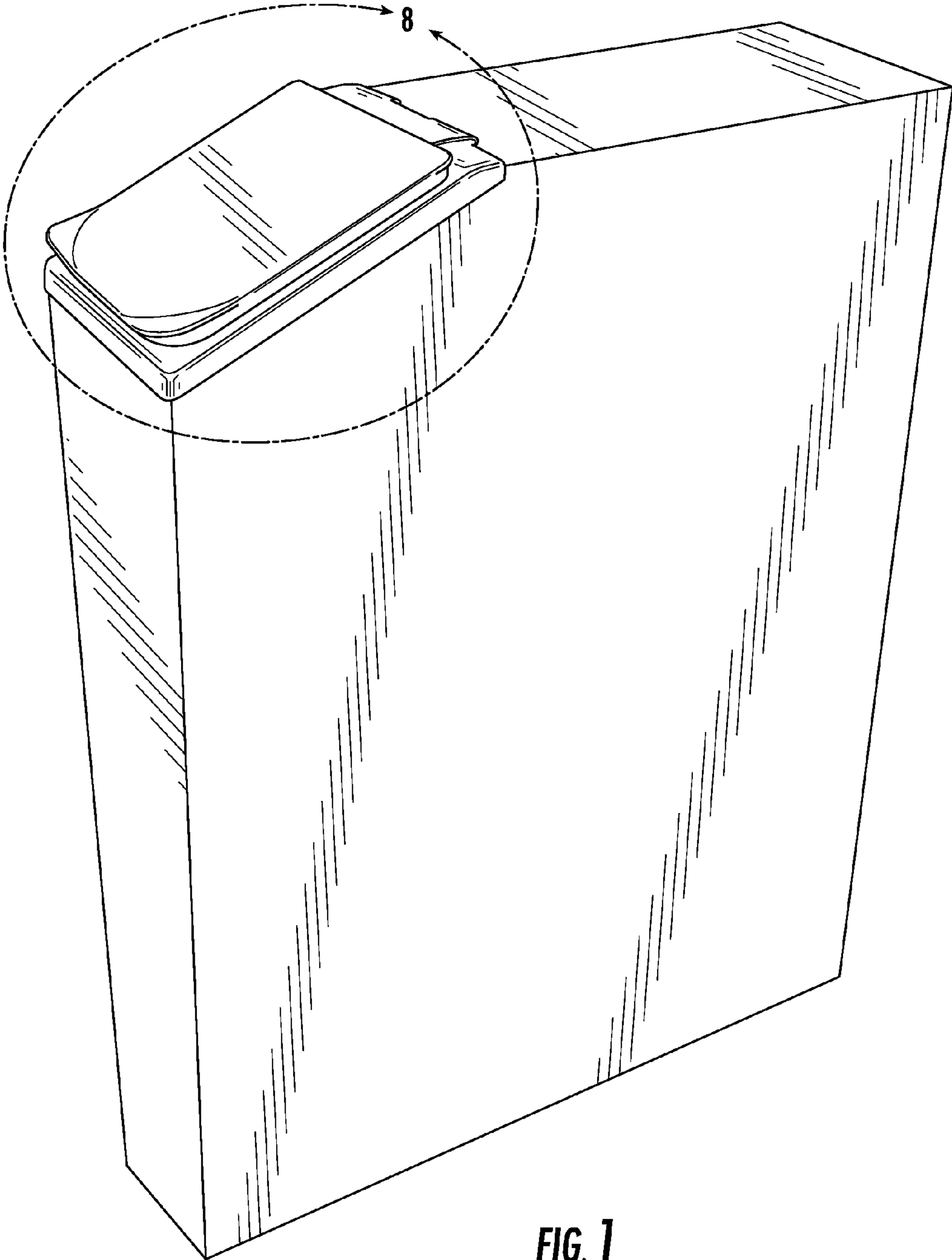


FIG. 1

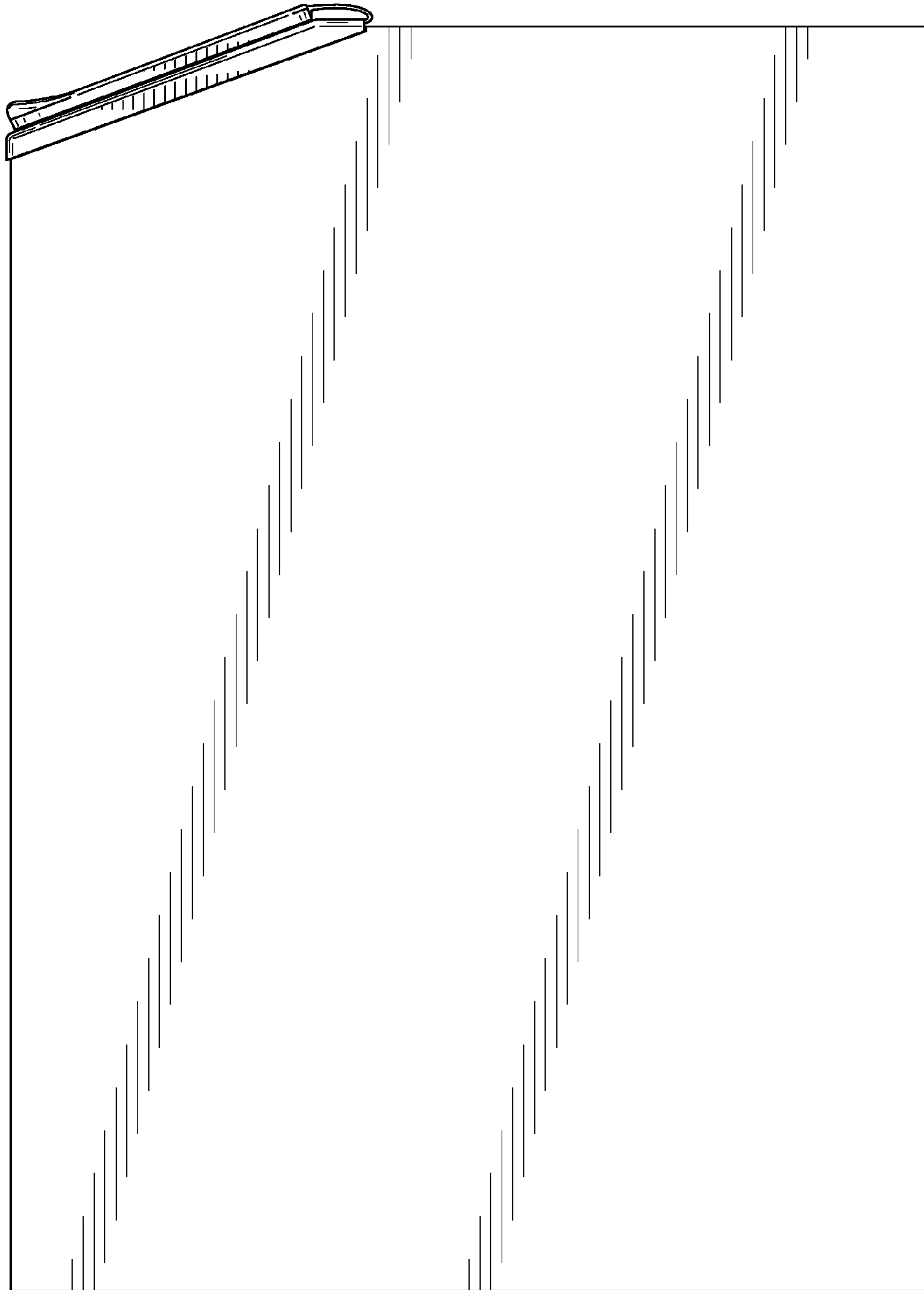


FIG. 2

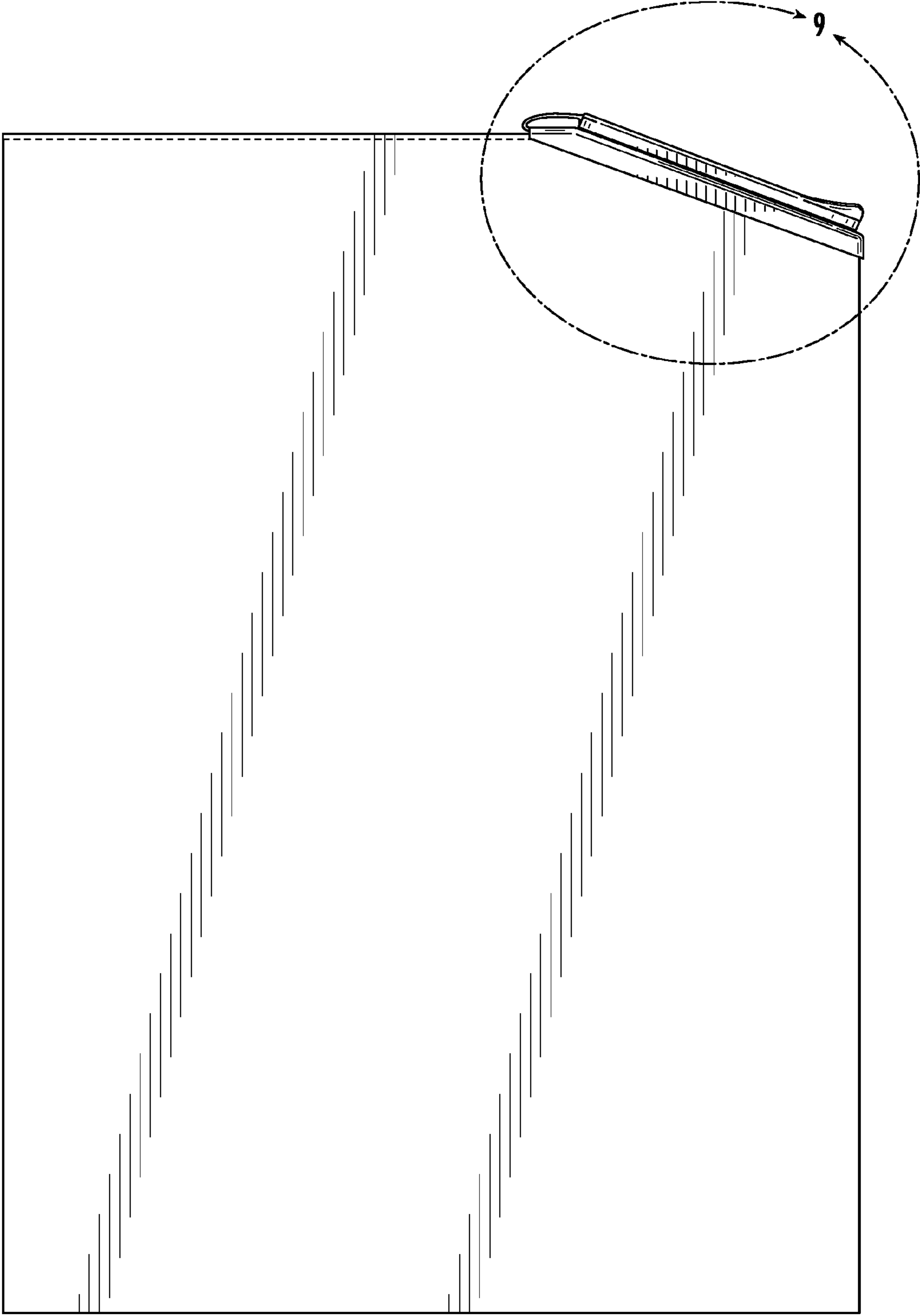


FIG. 3

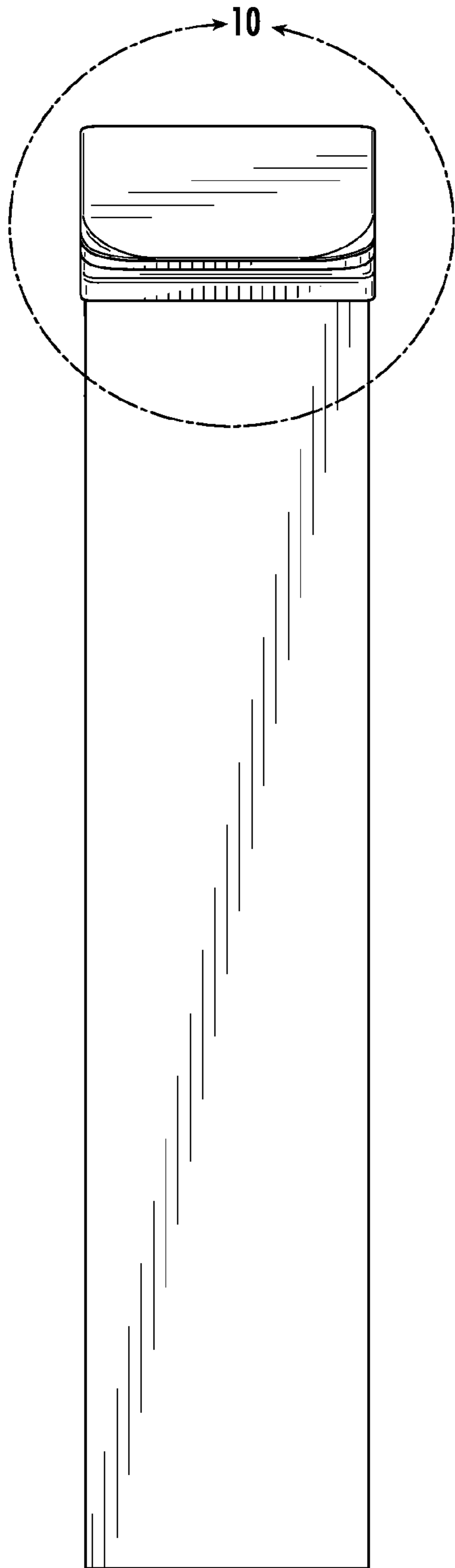


FIG. 4

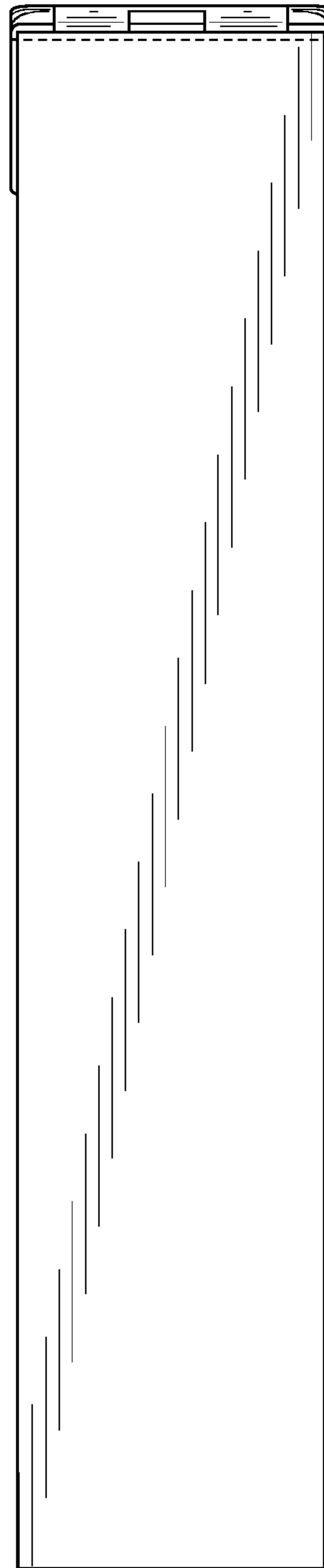
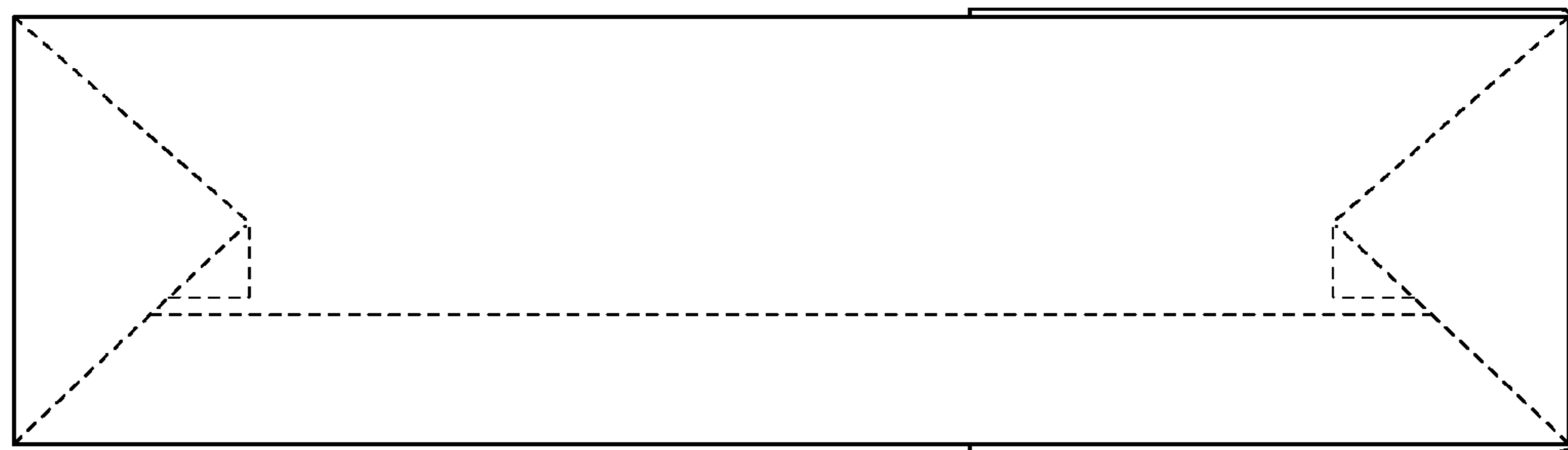
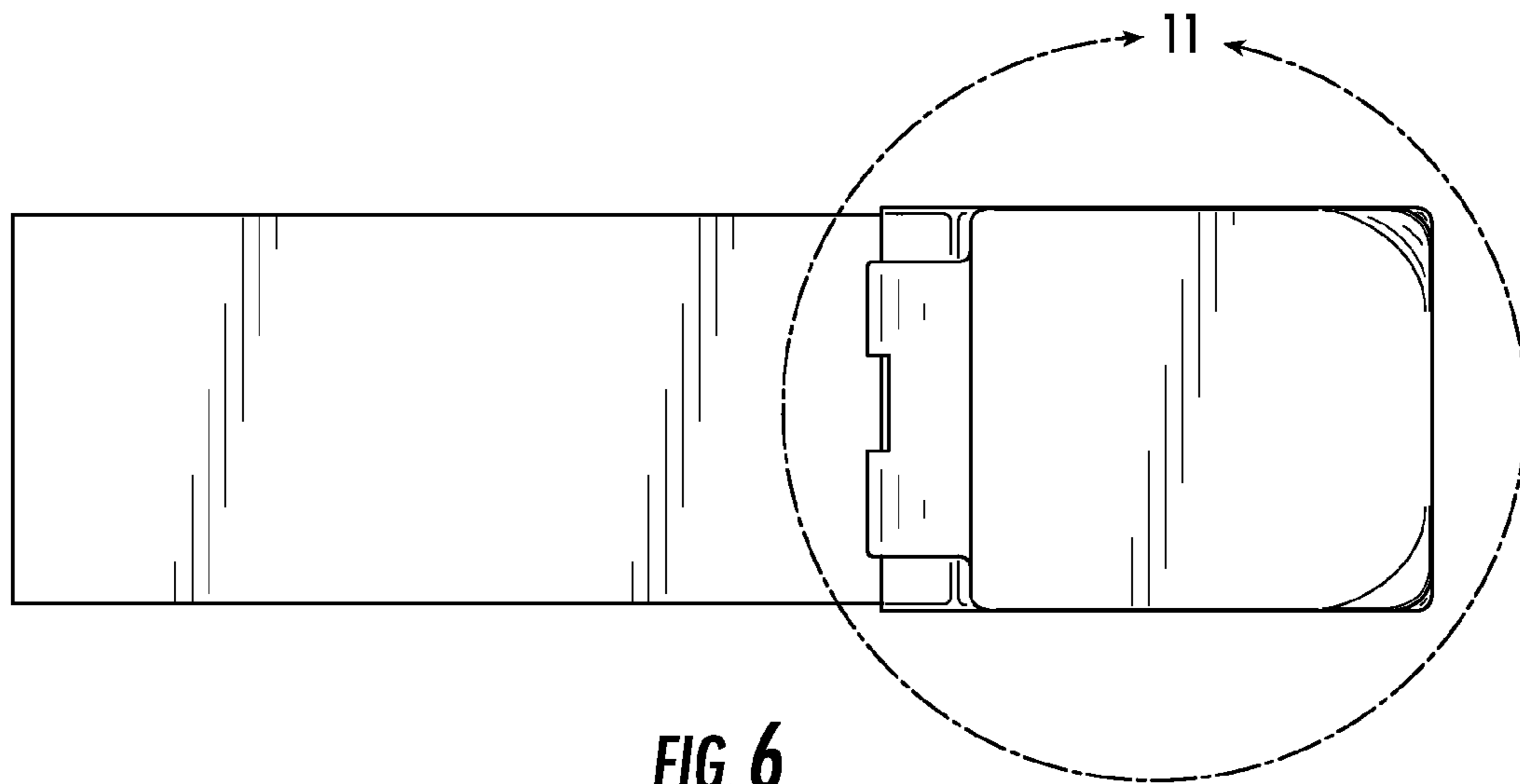


FIG. 5



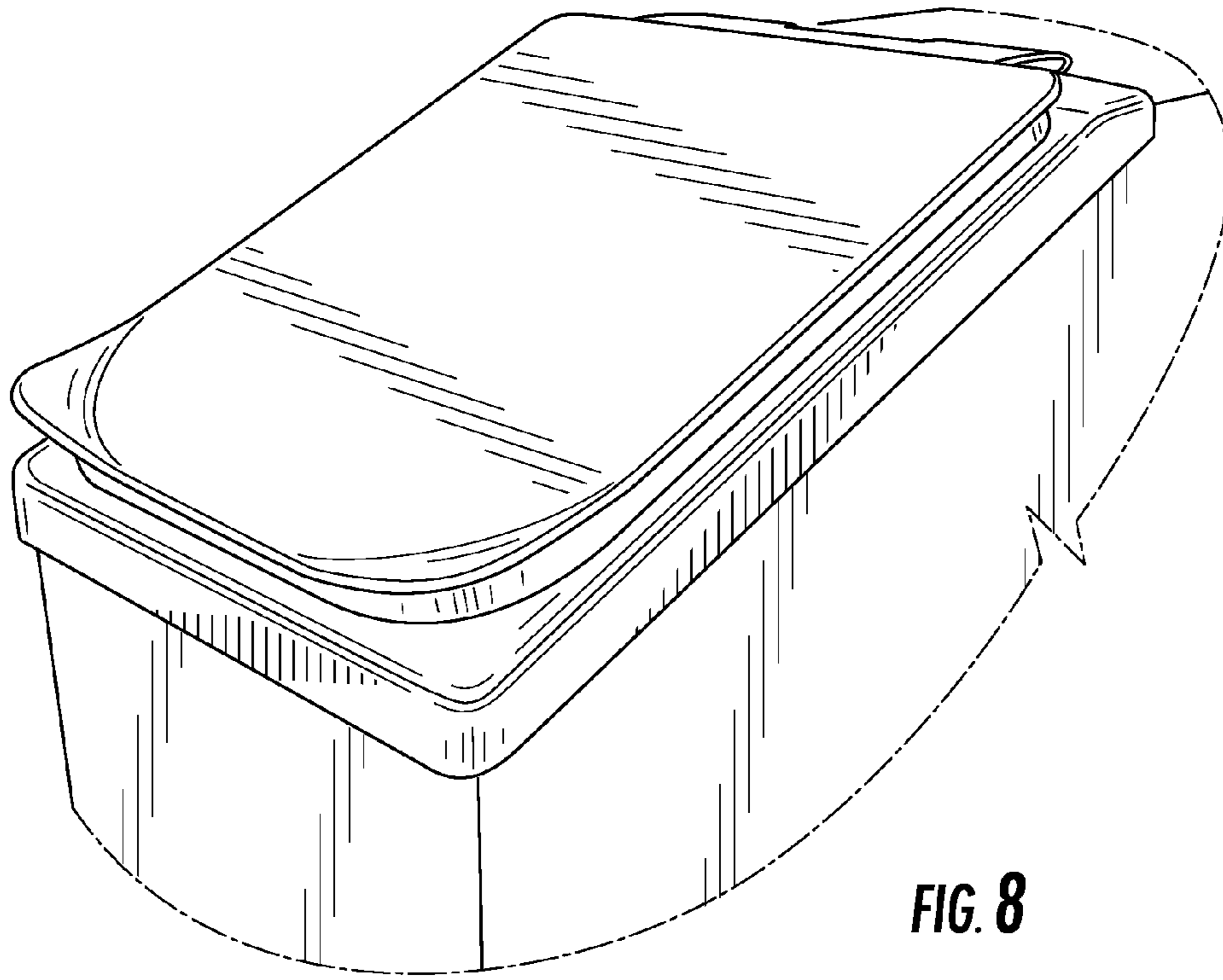


FIG. 8

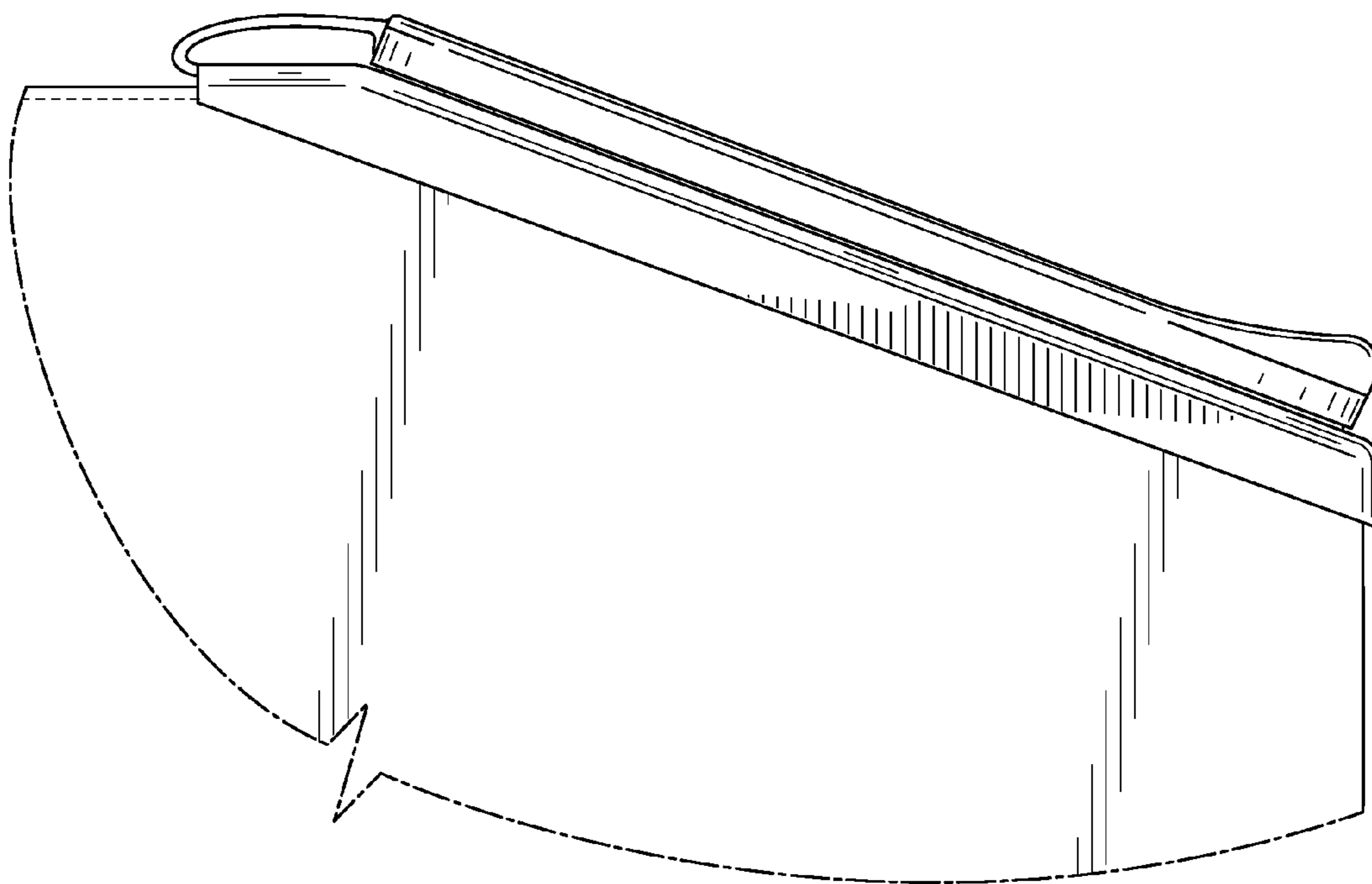


FIG. 9

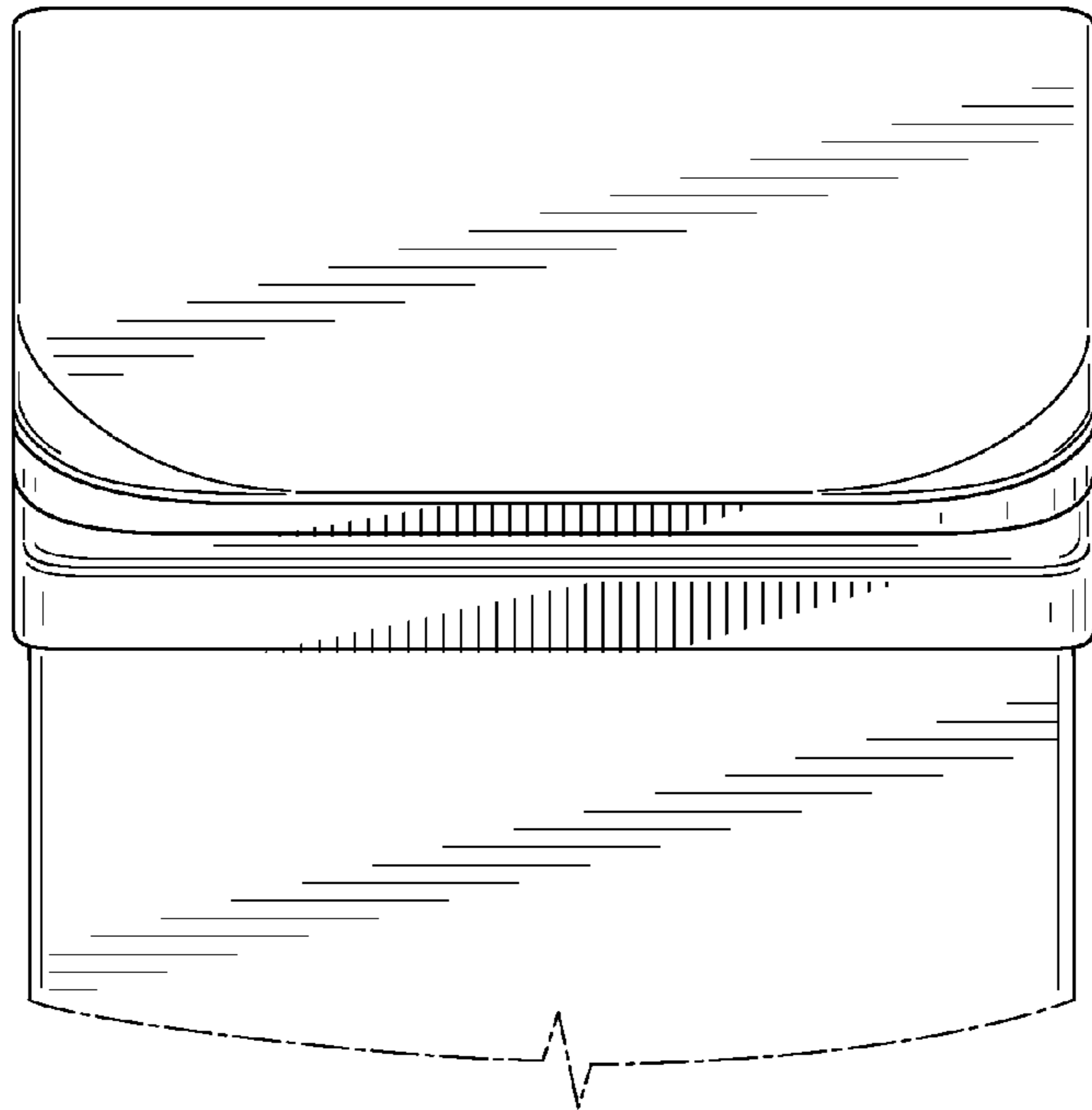


FIG. 10

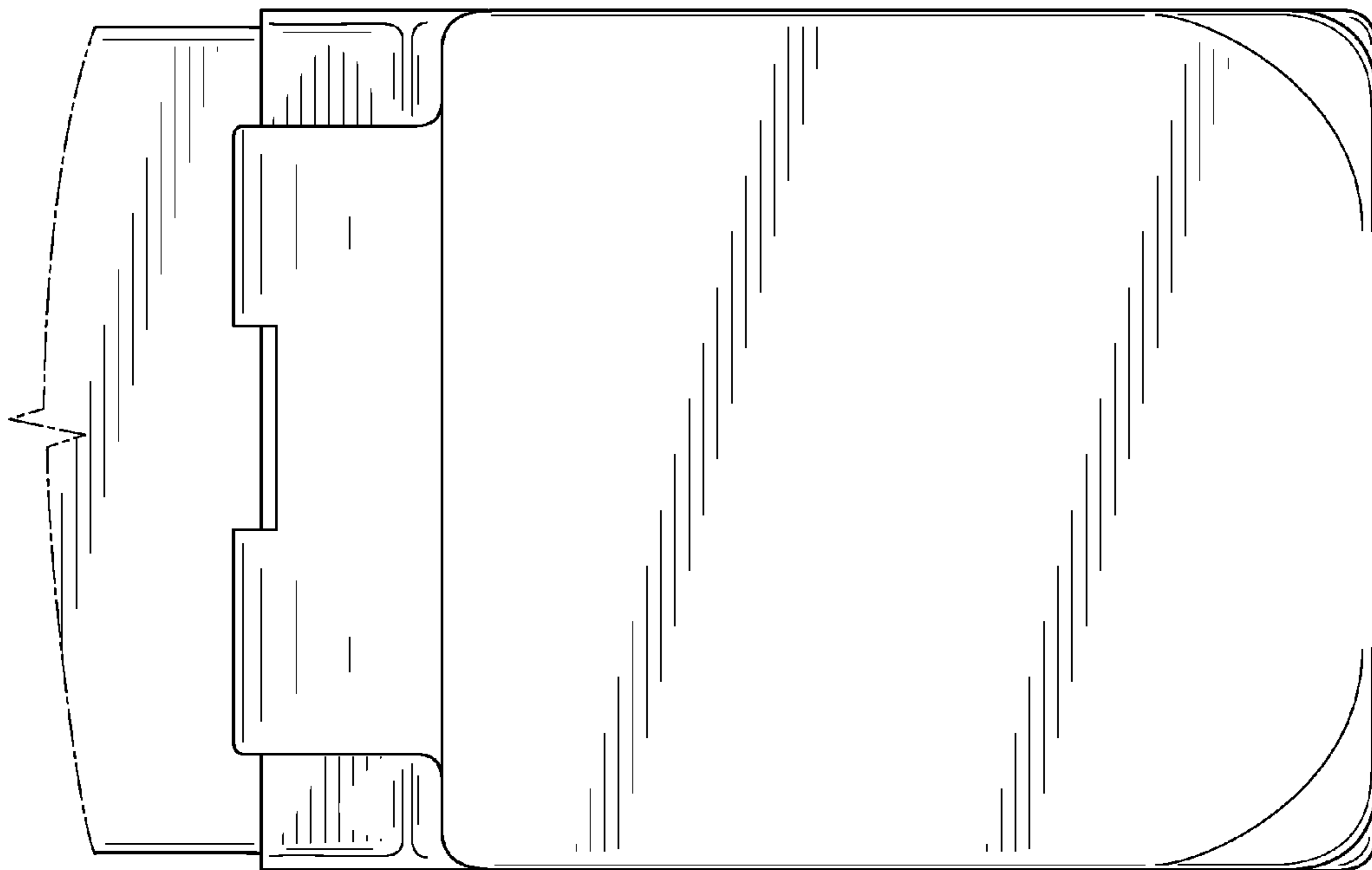


FIG. 11

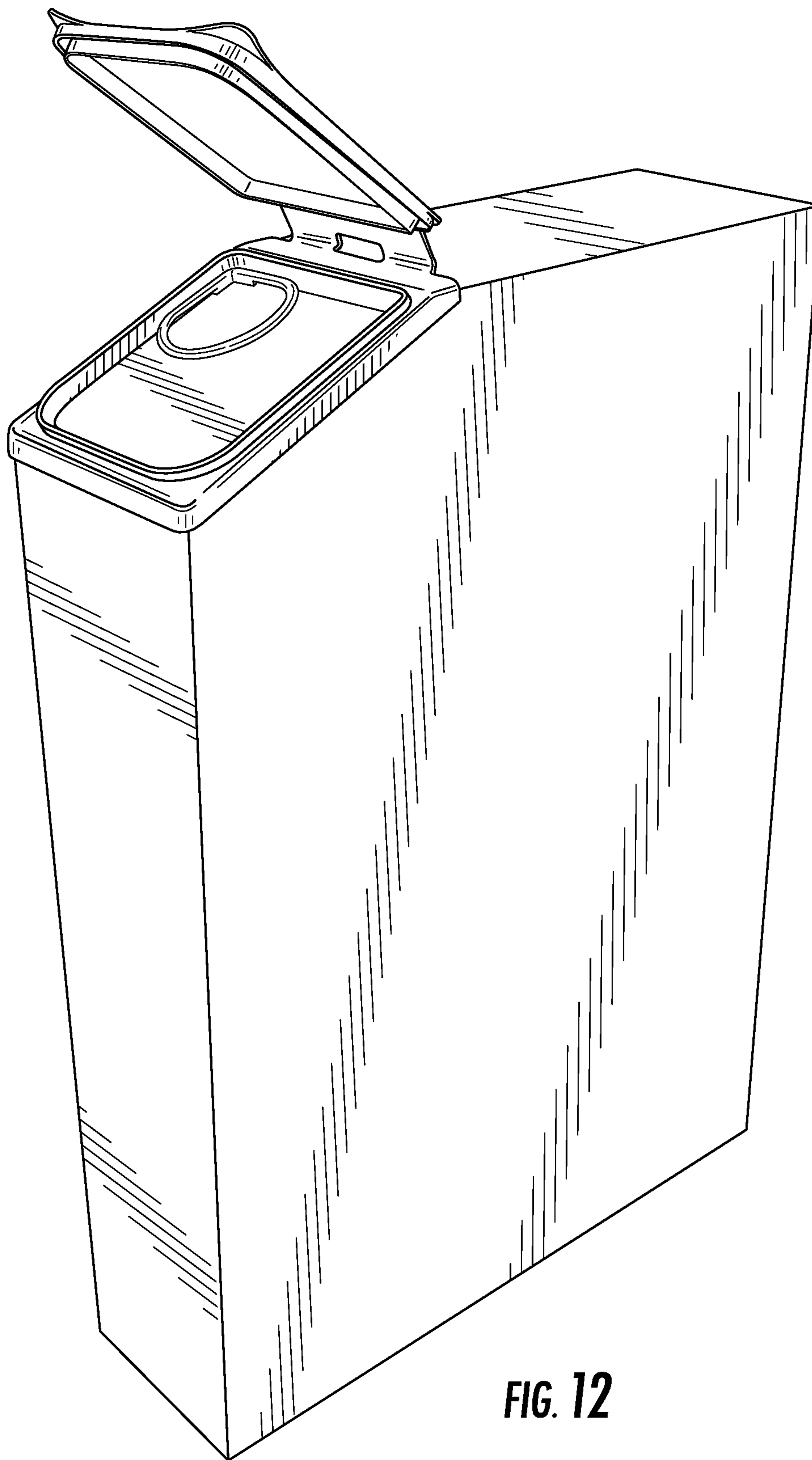


FIG. 12

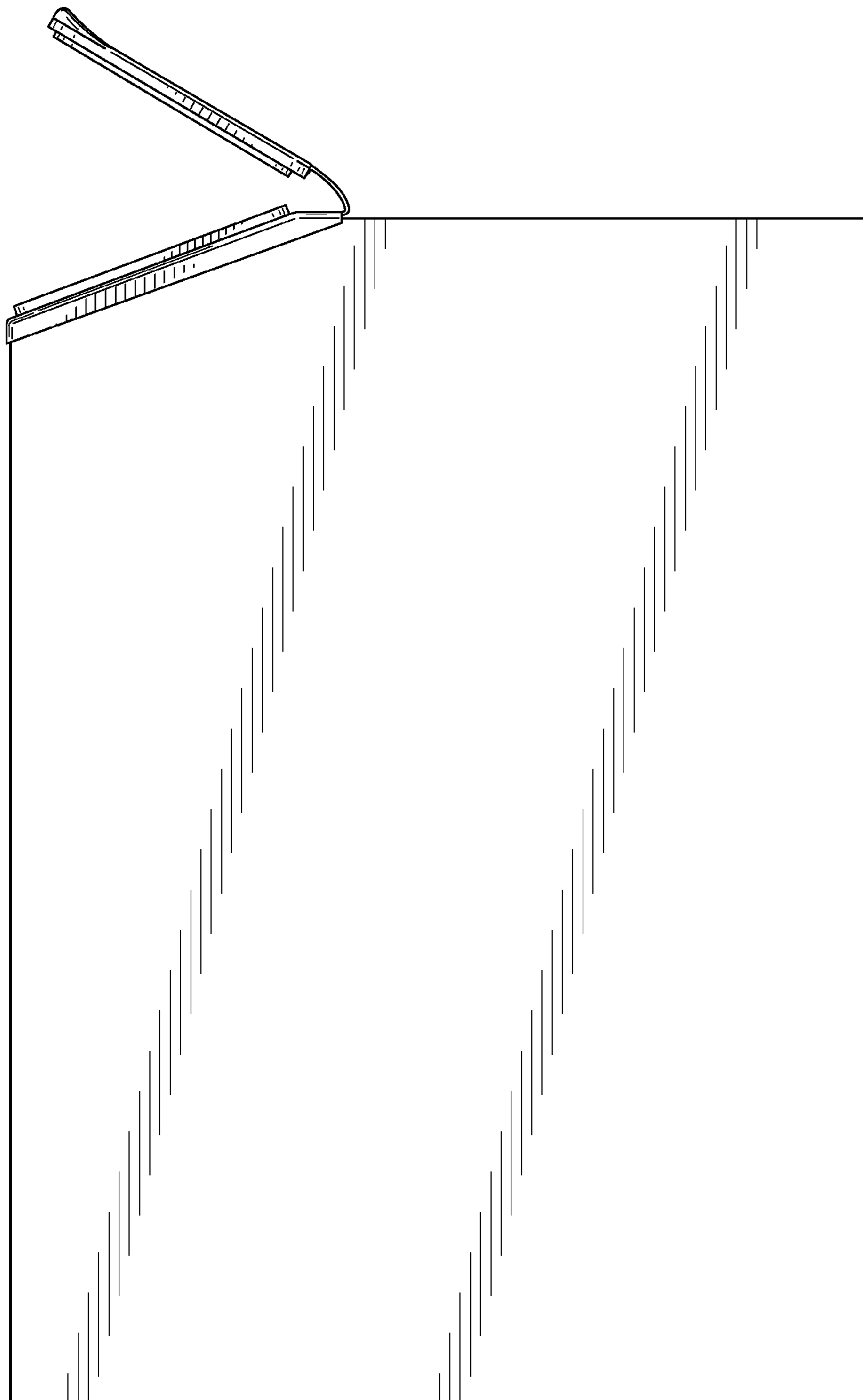


FIG. 13

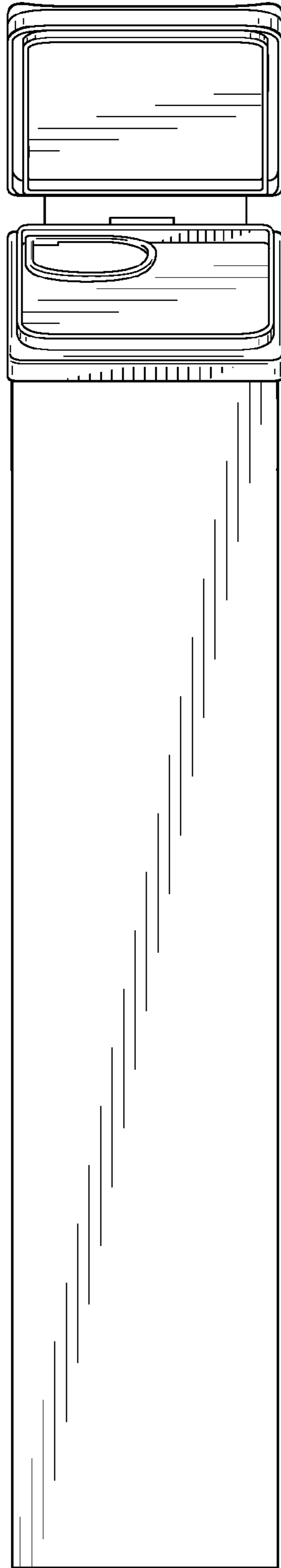


FIG. 14

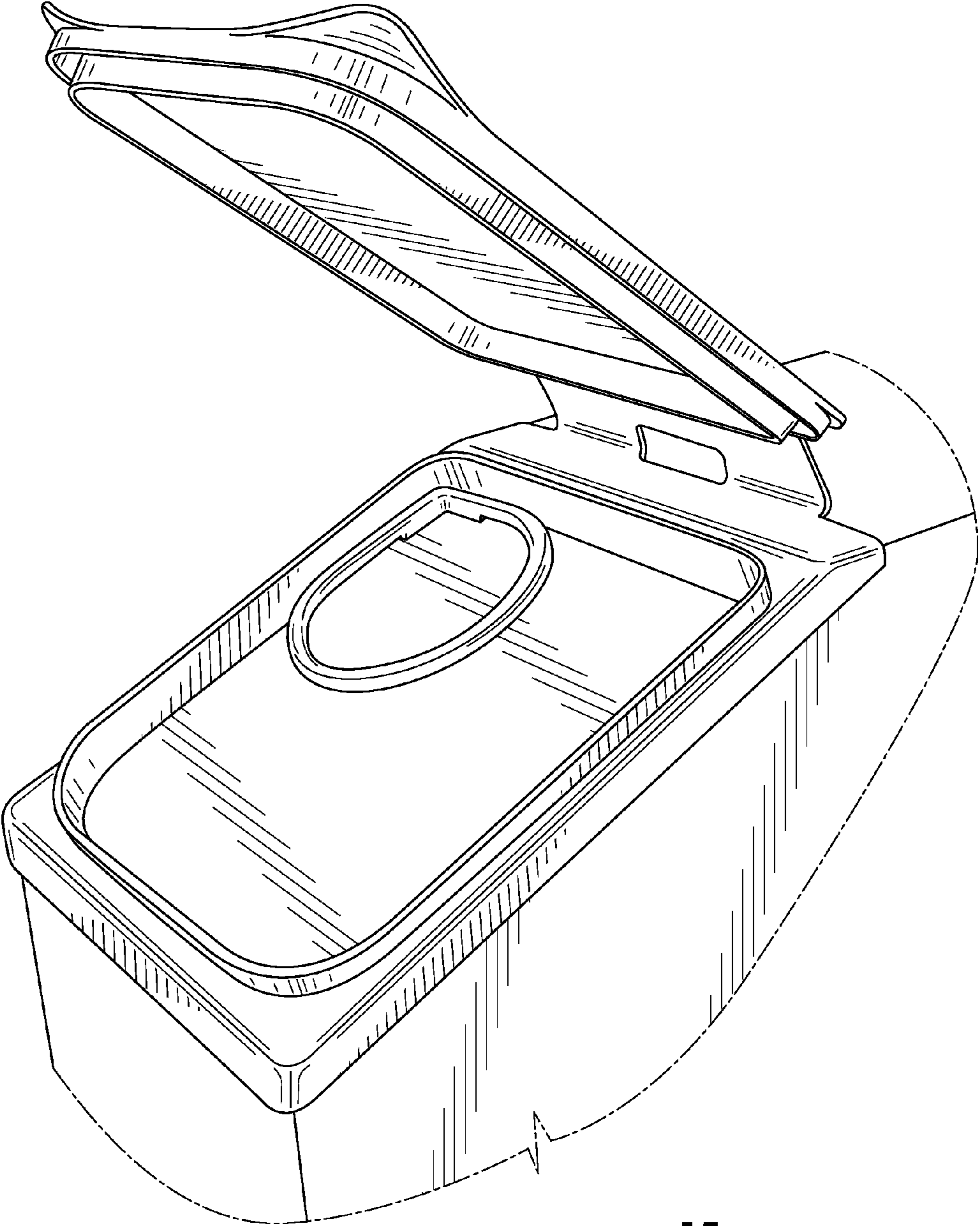


FIG. 15