



US00D690190S

(12) **United States Design Patent**
McGrath

(10) **Patent No.:** **US D690,190 S**

(45) **Date of Patent:** **** Sep. 24, 2013**

(54) **ADJUSTABLE BRACKET**

(71) Applicant: **Andrew H. McGrath**, Concord, CA
(US)

(72) Inventor: **Andrew H. McGrath**, Concord, CA
(US)

(**) Term: **14 Years**

(21) Appl. No.: **29/451,646**

(22) Filed: **Apr. 5, 2013**

(51) **LOC (9) Cl.** **08-08**

(52) **U.S. Cl.**
USPC **D8/394; D8/396**

(58) **Field of Classification Search**
USPC D8/356, 371, 394-396; D19/65,
D19/34; D24/128; 24/570, 128, 67.9, 66.13;
248/74.1, 74.2, 74.3, 73, 215, 227.1, 49,
248/300, 301, 316.7, 51, 489; D11/214,
D11/215, 78.1; 116/237
See application file for complete search history.

(56) **References Cited**

U.S. PATENT DOCUMENTS

3,096,110	A *	7/1963	Cantor	403/385
3,887,291	A *	6/1975	Langren	403/391
D335,718	S *	5/1993	Maglica et al.	D26/138
5,501,544	A *	3/1996	Cairns	403/400
D396,799	S *	8/1998	Jones	D8/349
D406,384	S *	3/1999	Bird	D26/138
D467,790	S *	12/2002	Roberts et al.	D8/356
D480,298	S *	10/2003	Skovronski et al.	D8/396
D493,363	S *	7/2004	Eason	D8/396
D494,450	S *	8/2004	Schultz et al.	D8/356
D503,333	S *	3/2005	Ledingham	D8/394
D504,304	S *	4/2005	Hancock	D8/354
7,191,988	B2 *	3/2007	Kim et al.	248/68.1
D570,176	S *	6/2008	Franchini	D8/71
D591,587	S *	5/2009	Mason	D8/396

D620,786	S *	8/2010	Gretz	D8/396
D631,403	S *	1/2011	Knopf	D12/133
D659,517	S *	5/2012	McGrath	D8/355
2004/0079849	A1 *	4/2004	Rudolf	248/276.1

* cited by examiner

Primary Examiner — John Windmuller

(74) *Attorney, Agent, or Firm* — Charles L. Thoeming

(57) **CLAIM**

The ornamental design for an adjustable bracket, as shown and described.

DESCRIPTION

FIG. 1 is a rear perspective view of an adjustable bracket showing my new design.

FIG. 2 is a top orthogonal view of the adjustable bracket of FIG. 1; the bottom orthogonal view of the adjustable bracket of FIG. 1 is the mirror image of FIG. 2.

FIG. 3 is a right side orthogonal view of the adjustable bracket of FIG. 1; the left side orthogonal view of the adjustable bracket of FIG. 1 is the mirror image of FIG. 3.

FIG. 4 is a front orthogonal view of the adjustable bracket of FIG. 1.

FIG. 5 is a rear orthogonal view of the adjustable bracket of FIG. 1.

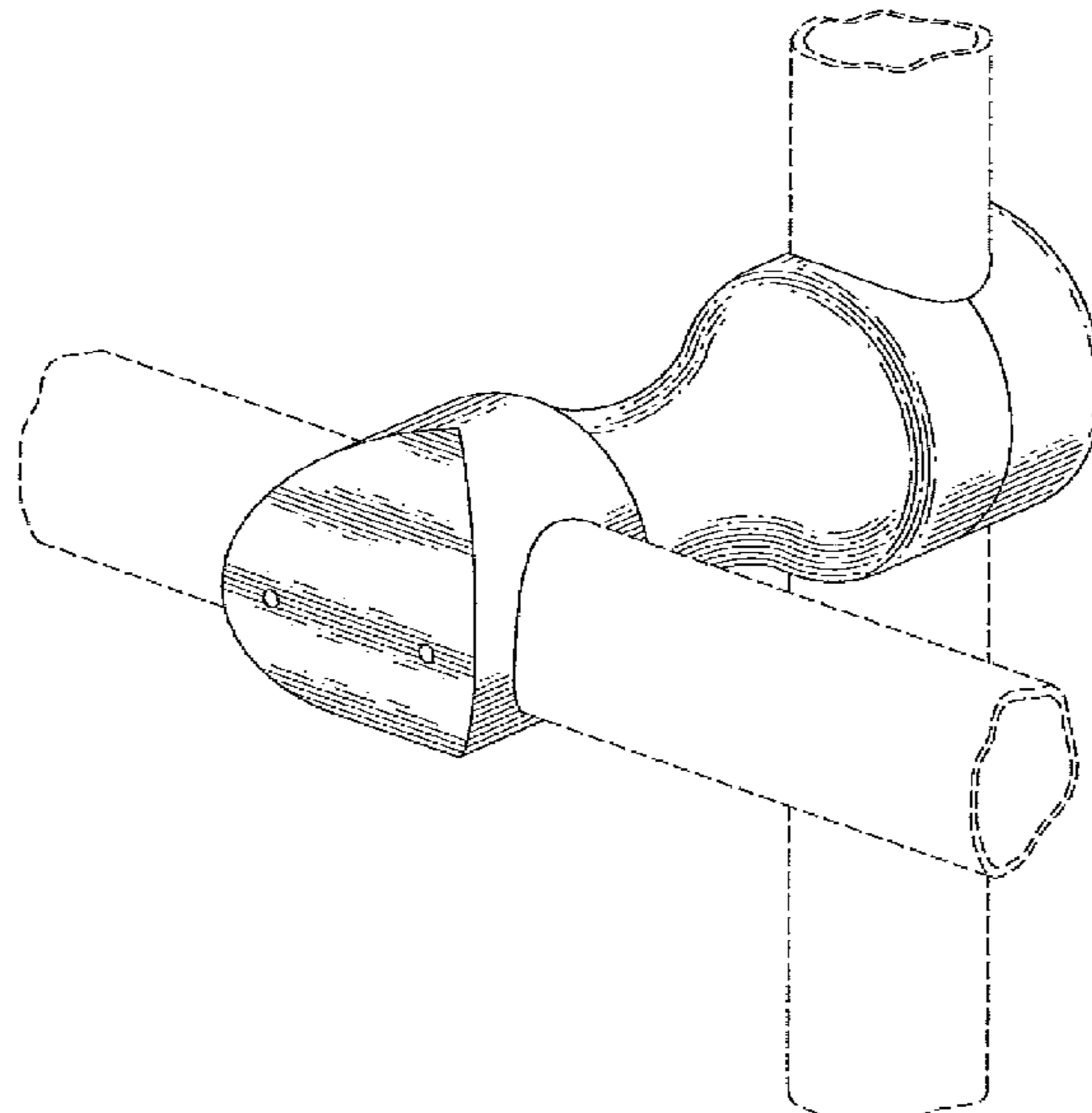
FIG. 6 is a rear orthogonal view of a forward component of adjustable bracket of FIG. 3 taken at line "6-6."

FIG. 7 is a front orthogonal view of a rearward component of adjustable bracket of FIG. 3 taken at line "7-7;" and,

FIG. 8 is a front perspective view of FIG. 1 in a sneeze guard environment. The broken lines showing of a partial vertical elongated support is for illustrative purposes only and forms no part of the claimed design.

The broken lines in the figures indicate portions of the adjustable bracket which form no part of the claimed design.

1 Claim, 2 Drawing Sheets



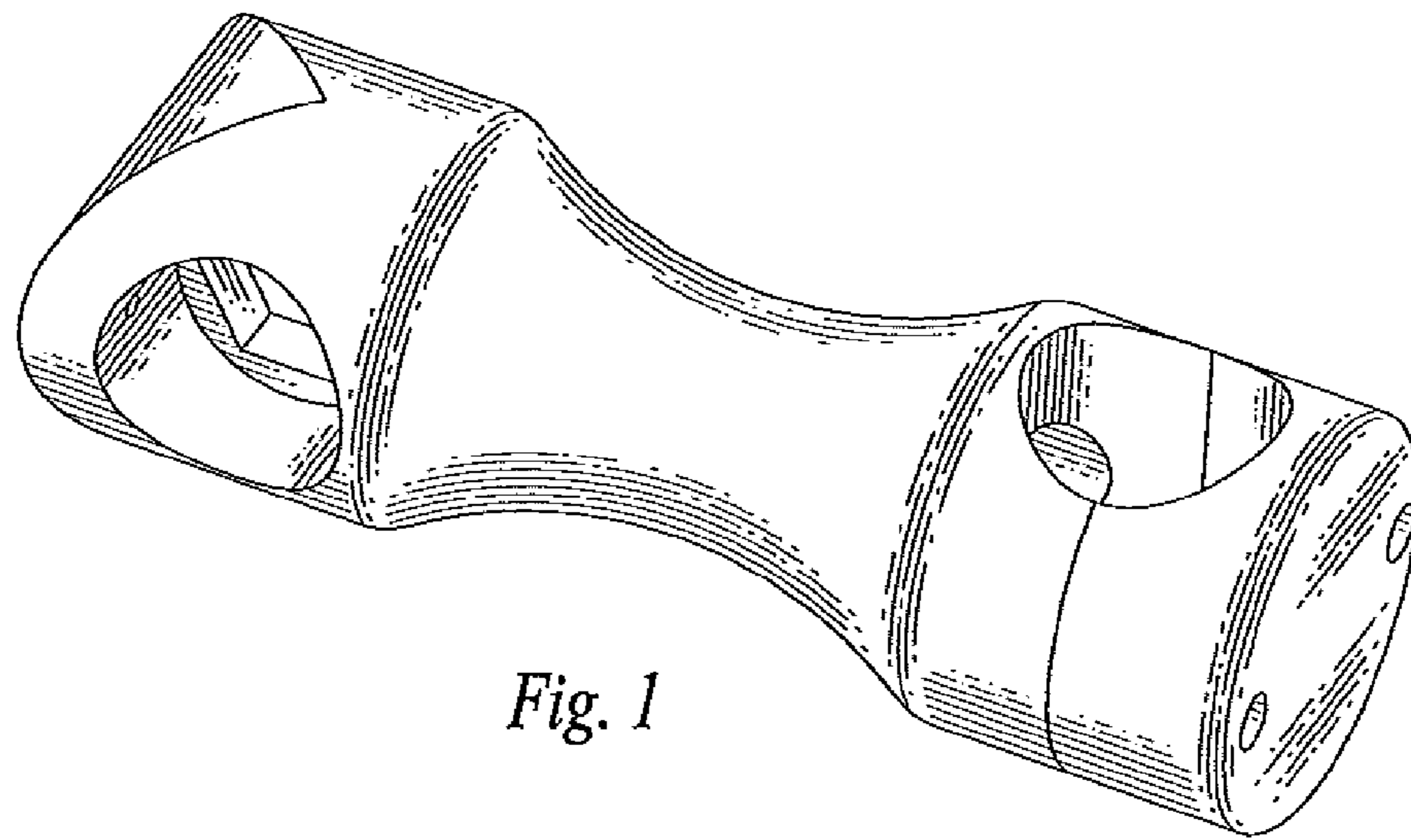


Fig. 1

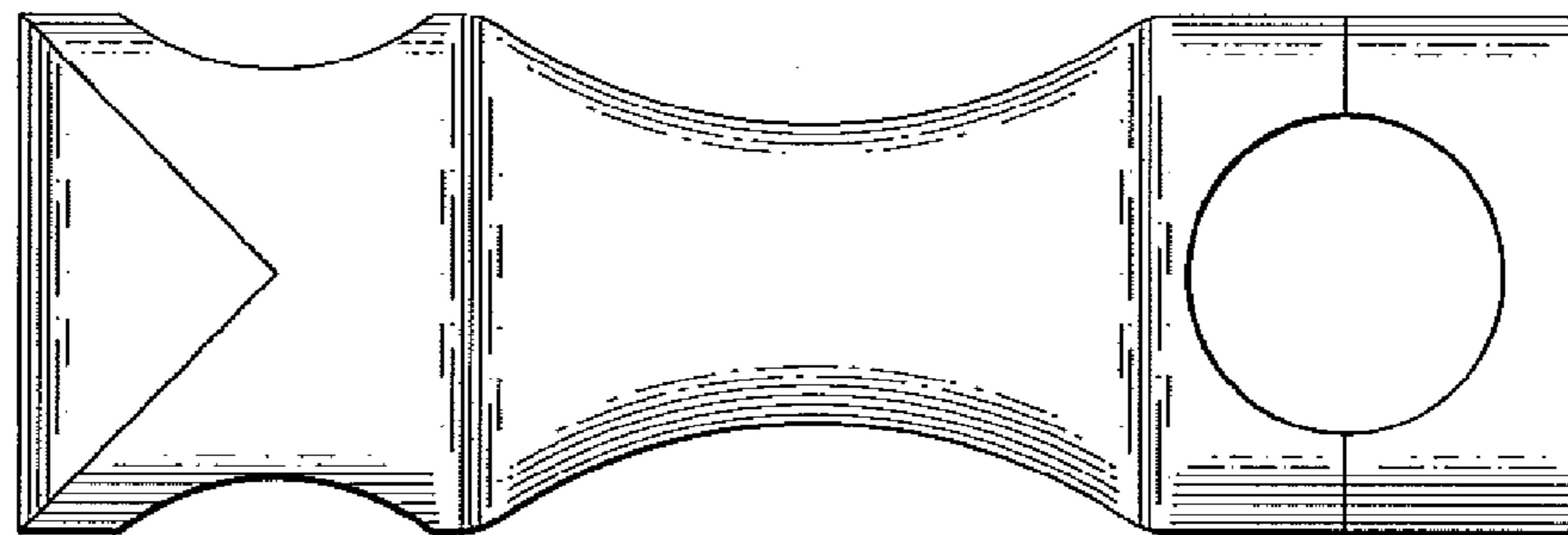


Fig. 2

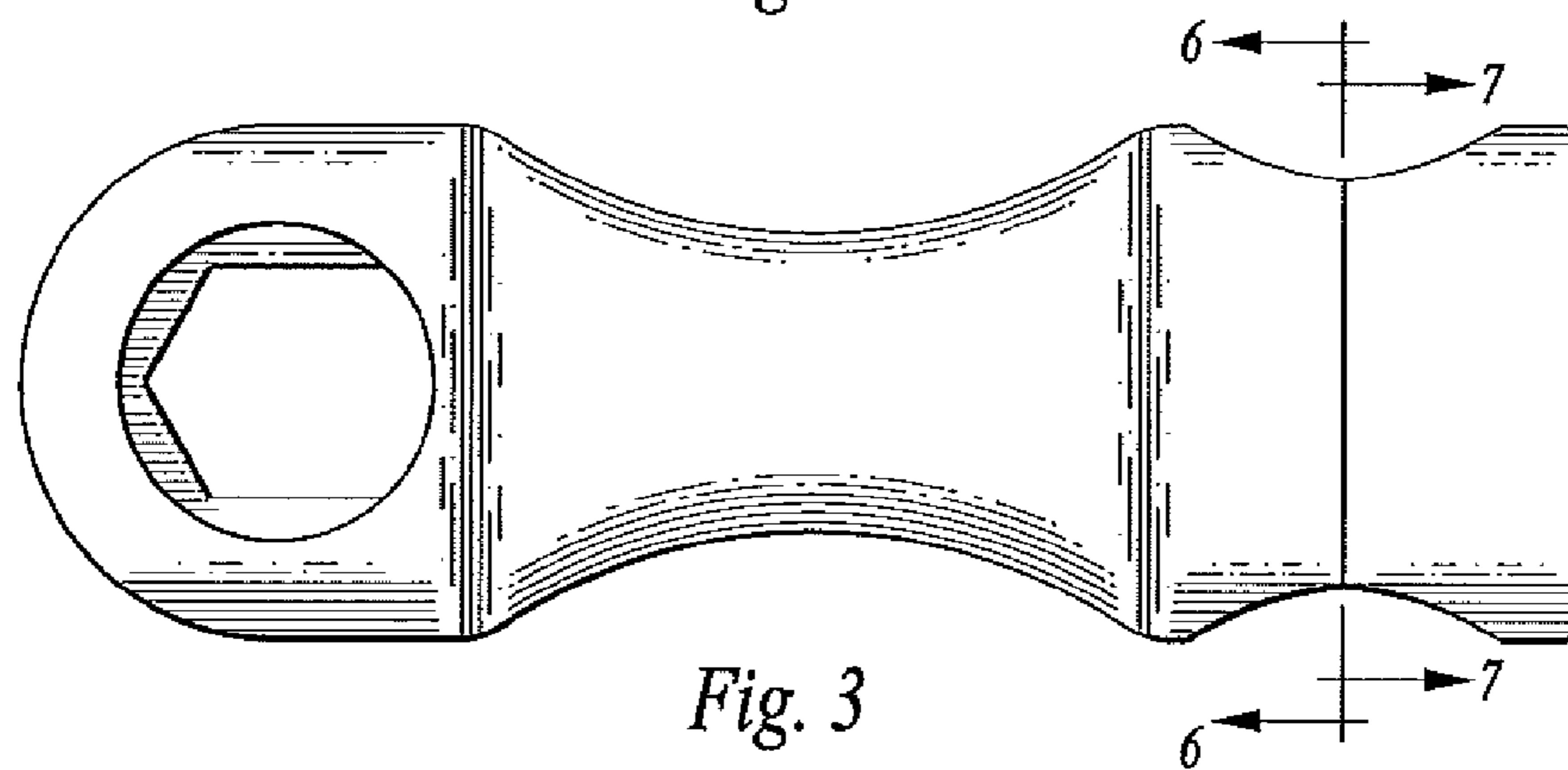


Fig. 3

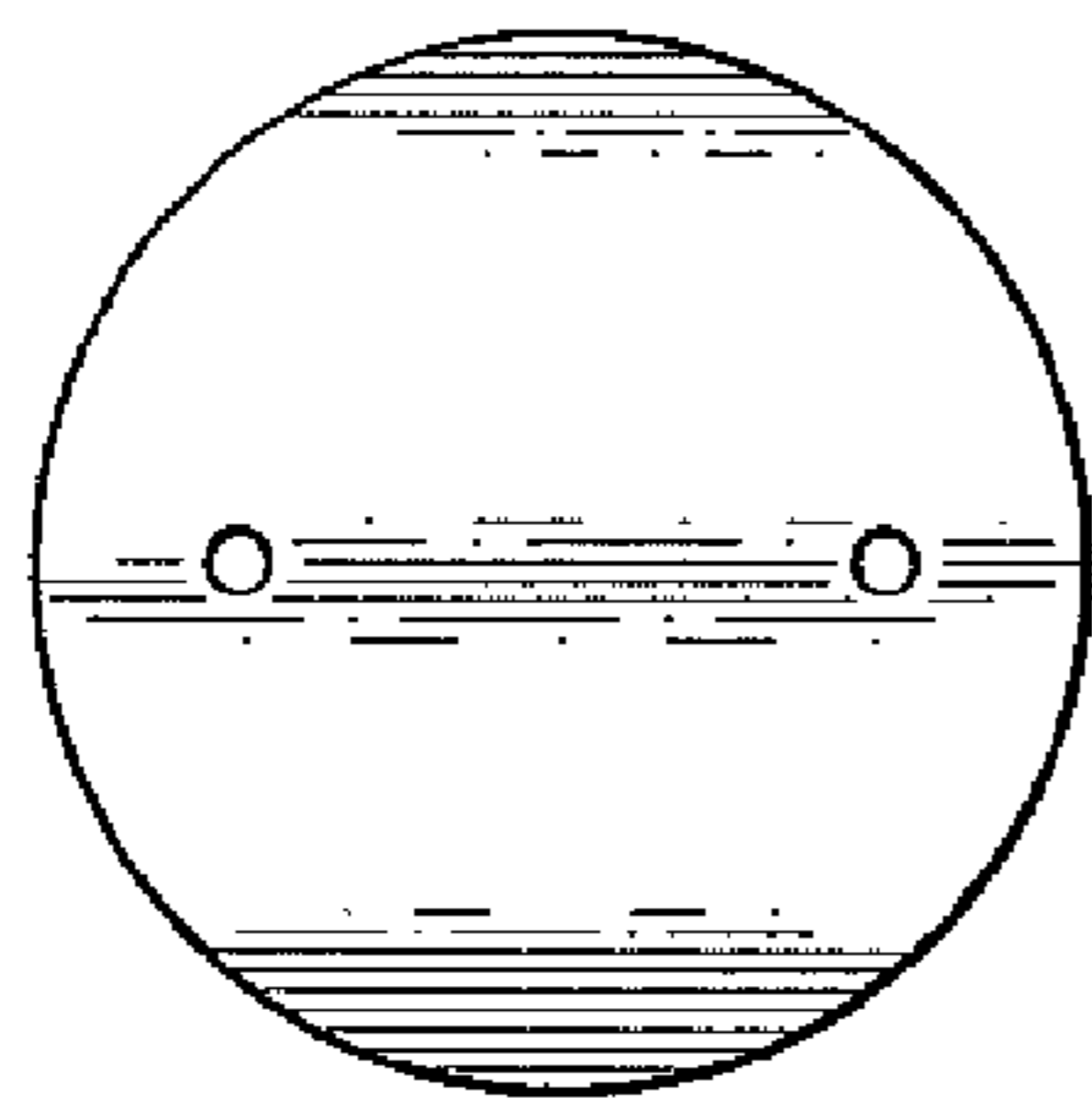


Fig. 4

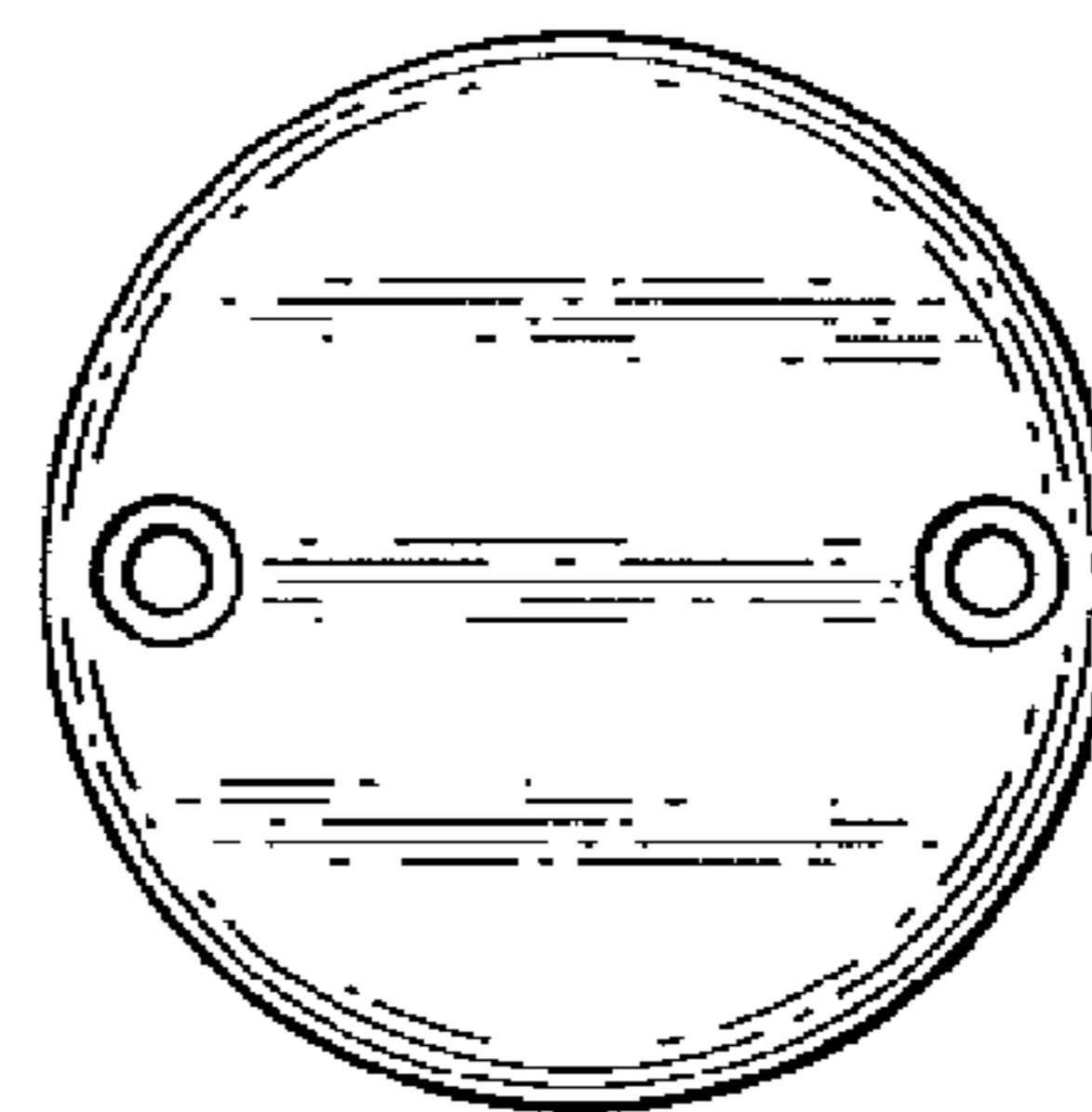


Fig. 5

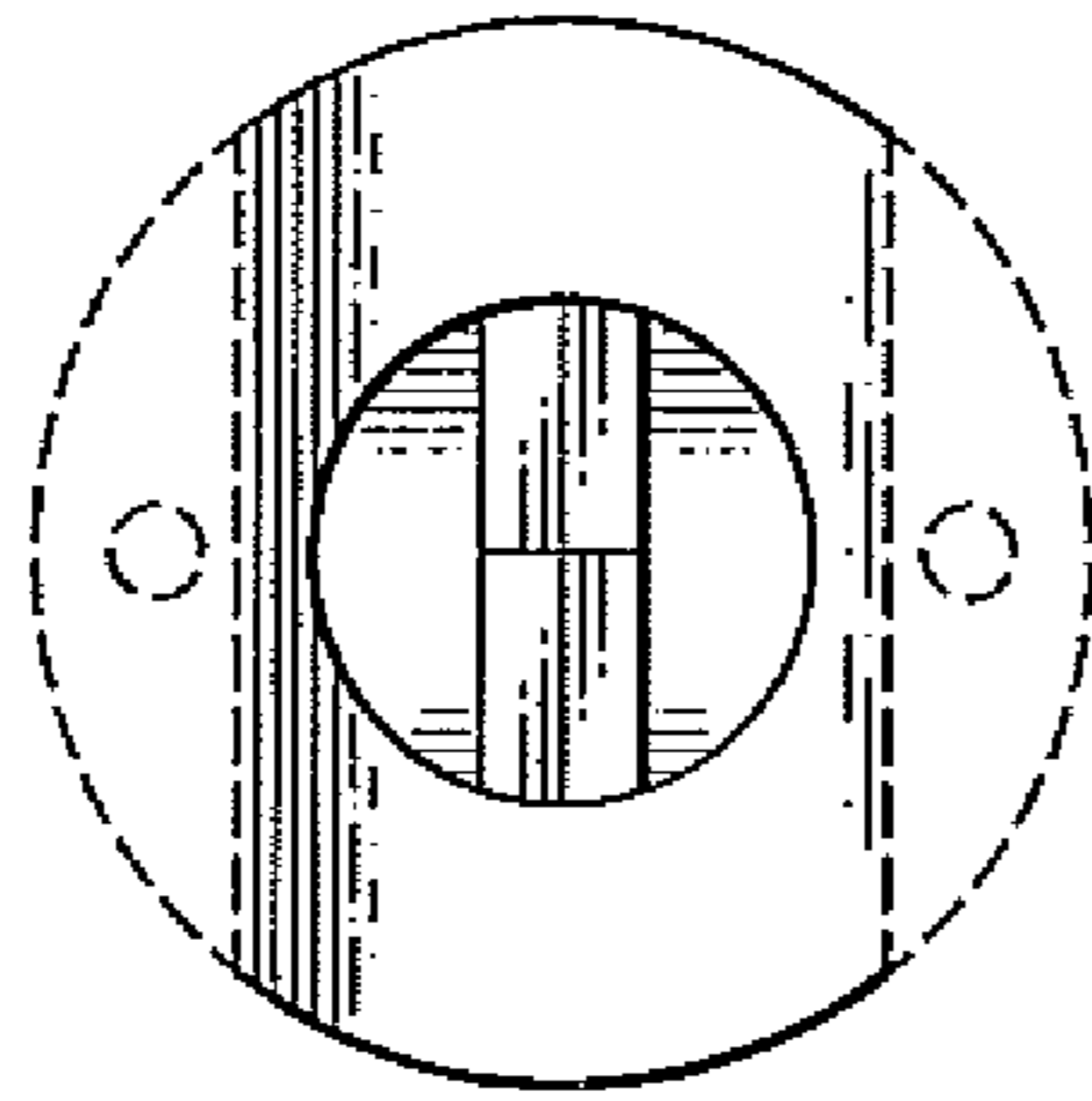


Fig. 6

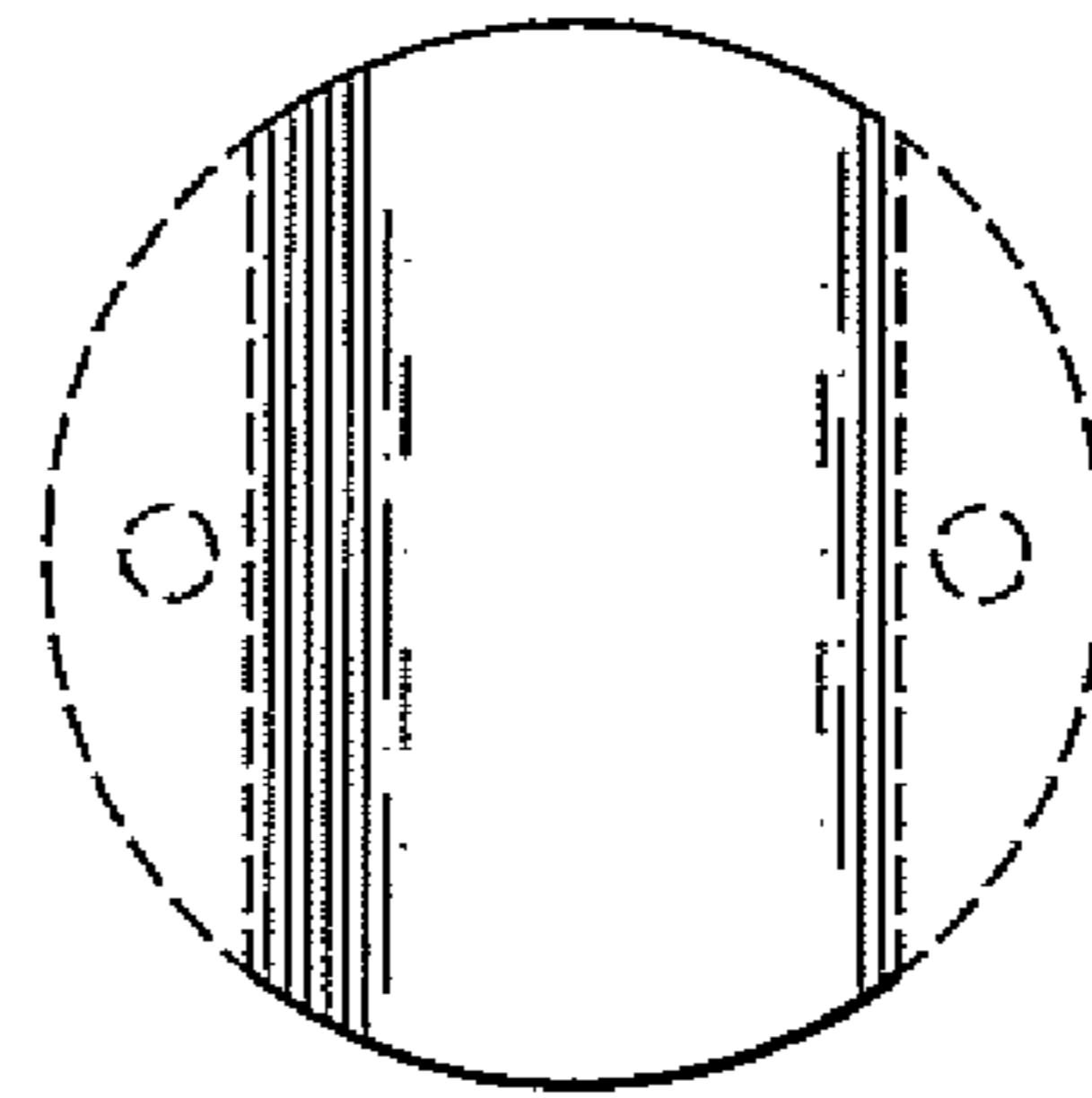


Fig. 7

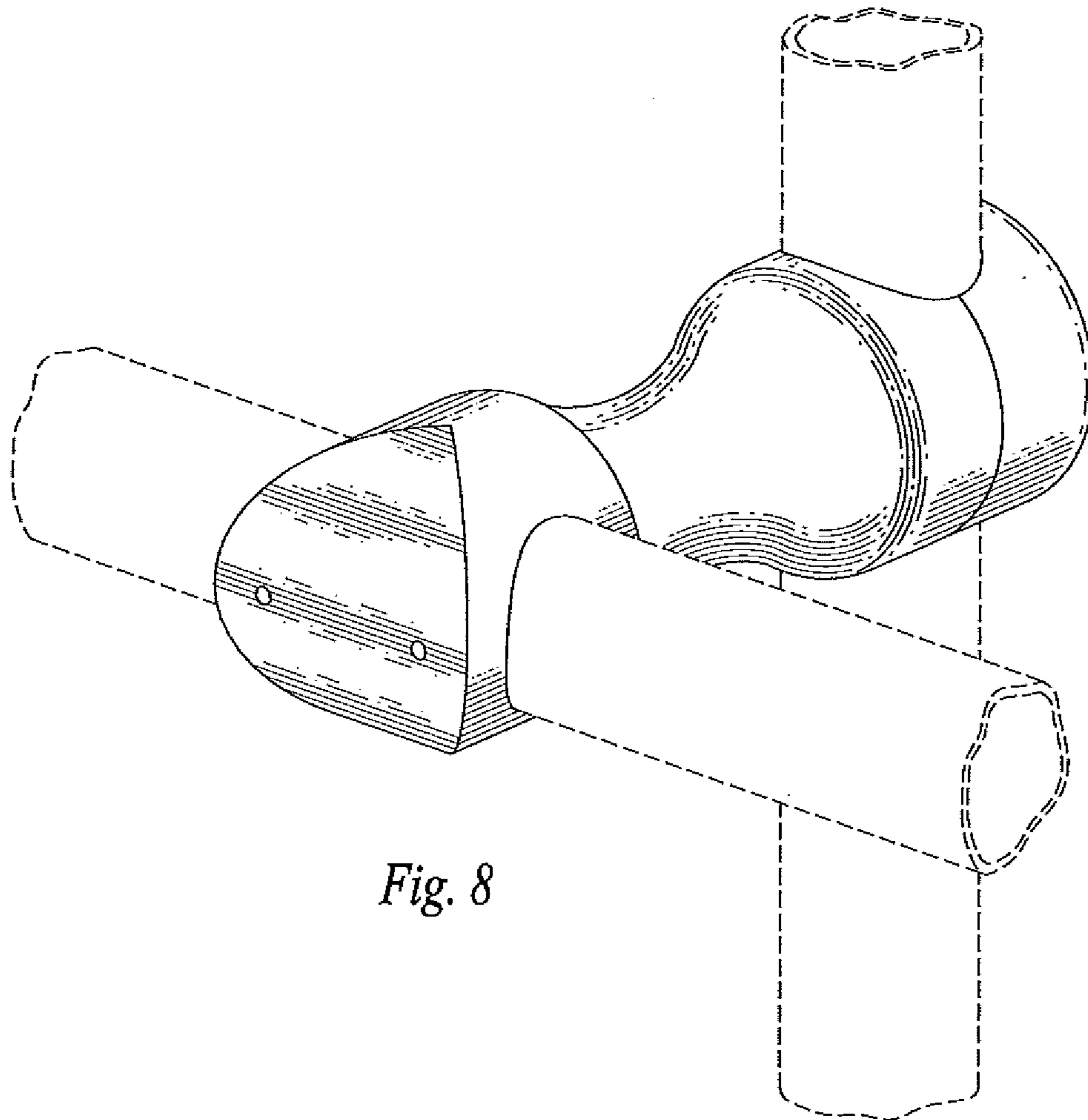


Fig. 8