



US00D690189S

(12) **United States Design Patent**
Wojtowicz et al.

(10) **Patent No.:** **US D690,189 S**

(45) **Date of Patent:** **** Sep. 24, 2013**

(54) **POST COUPLER WITH SCALLOPED EDGES**

(75) Inventors: **David J. Wojtowicz**, Orland Park, IL (US); **Thomas St. Germain**, Bridgeview, IL (US); **Mitchell Liss**, Northbrook, IL (US); **Al Dunaj**, Chicago, IL (US)

(73) Assignee: **Edsal Manufacturing Co., Inc.**, Chicago, IL (US)

(**) Term: **14 Years**

(21) Appl. No.: **29/397,490**

(22) Filed: **Jul. 16, 2011**

Related U.S. Application Data

(63) Continuation-in-part of application No. 11/044,689, filed on Jan. 27, 2005.

(51) **LOC (9) Cl.** **08-08**

(52) **U.S. Cl.**
USPC **D8/394**

(58) **Field of Classification Search**
USPC D8/354, 356, 371, 394-396; D19/65, D19/86; D24/128; 248/74.2, 215, 227.1, 248/49, 300, 301, 316.7, 51, 489, 218.4; 24/570, 3.12; D32/61; D11/78.1; 403/293; 211/134; 256/65.03; D6/511
See application file for complete search history.

(56) **References Cited**

U.S. PATENT DOCUMENTS

1,345,954 A * 7/1920 Ramm 40/489
3,221,894 A * 12/1965 Knuth 211/134
D572,054 S * 7/2008 Liss et al. D6/509

(Continued)

Primary Examiner — John Windmuller

(74) *Attorney, Agent, or Firm* — Wood, Herron & Evans, LLP

(57) **CLAIM**

The ornamental design for a post coupler with scalloped edges, as shown and described.

DESCRIPTION

FIG. 1 is an isometric view of a post coupler with scalloped edges showing a first embodiment of our new design in use; FIG. 2 is another isometric view of the post coupler with scalloped edges showing the first embodiment of our new design;

FIG. 3 is a front elevation view thereof;

FIG. 4 is a right side elevation view thereof;

FIG. 5 is a top plan view thereof;

FIG. 6 is a cross-sectional view thereof taken along line 6-6 in FIG. 4;

A rear elevation view thereof is a mirror image of FIG. 3;

A left side elevation view thereof is a mirror image of FIG. 4;

A bottom plan view thereof is a mirror image of FIG. 5;

FIG. 7 is an isometric view of a post coupler with scalloped edges showing a second embodiment of our new design:

FIG. 8 is a front elevation view thereof;

FIG. 9 is a right side elevation view thereof;

FIG. 10 is a top plan view thereof;

FIG. 11 is a cross-sectional view thereof taken along line 11-11 in FIG. 9; and,

FIG. 12 is a cross-sectional view thereof taken along line 12-12 in FIG. 9.

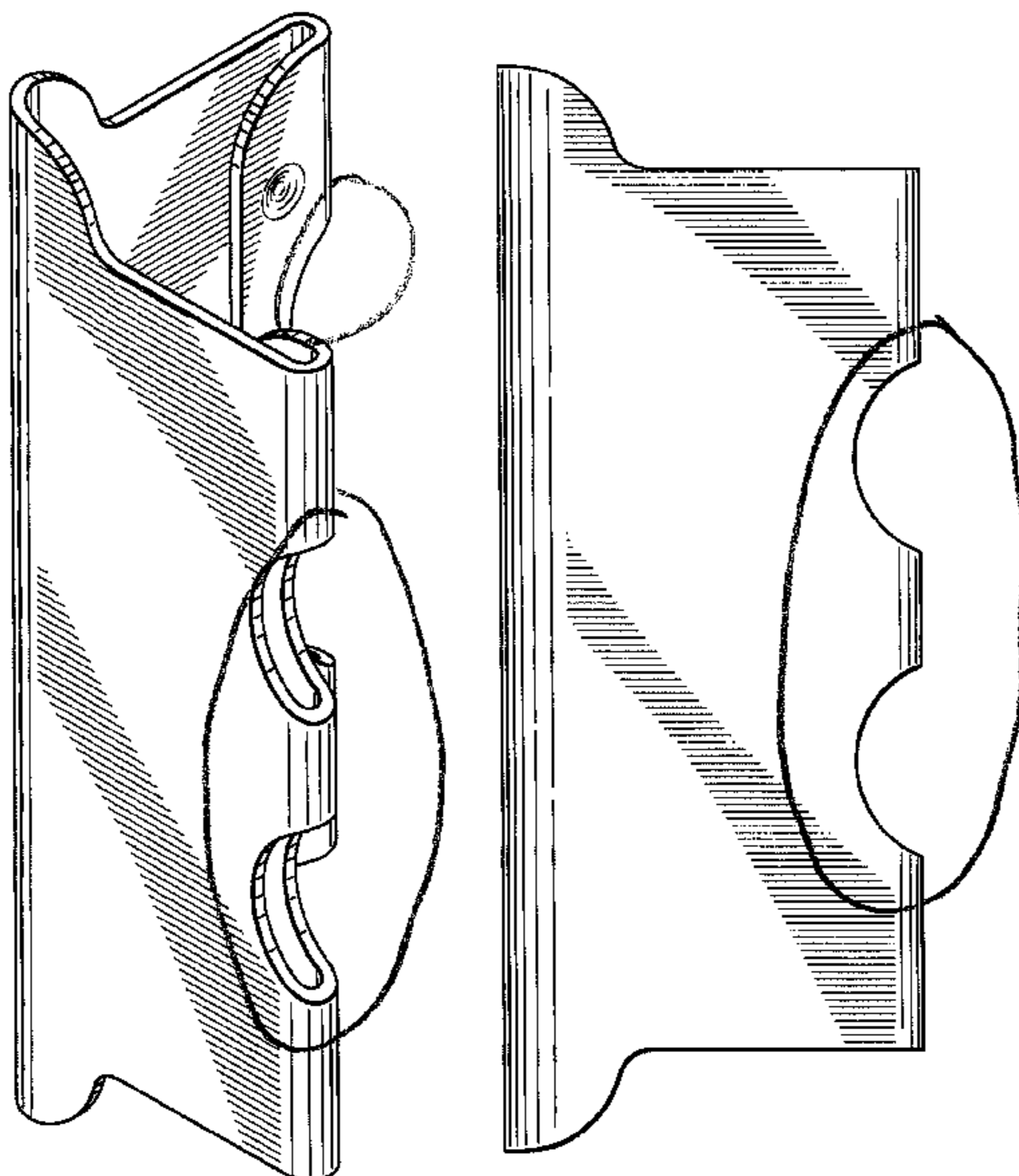
A rear elevation view thereof is a mirror image of FIG. 8;

A left side elevation view thereof is a mirror image of FIG. 9; and

A bottom plan view thereof is a mirror image of FIG. 10.

The broken line showing of a cost and shelves in FIG. 1 illustrates environment only and forms no part of the claimed design.

1 Claim, 5 Drawing Sheets



(56)

References Cited

U.S. PATENT DOCUMENTS

D597,354 S * 8/2009 Liss D6/511
D653,528 S * 2/2012 Choi et al. D8/381
8,210,504 B1 * 7/2012 Skornickel 256/65.01
2001/0025458 A1 * 10/2001 James et al. 52/90.2
2006/0195980 A1 * 9/2006 Nagley 4/595
2010/0084354 A1 * 4/2010 Eustace 211/134
2010/0139188 A1 * 6/2010 Callentine et al. 52/213

2010/0140428 A1 * 6/2010 Vassallo 248/220.21
2010/0155352 A1 * 6/2010 Hsieh 211/134
2011/0204307 A1 * 8/2011 Bowman 256/24
2011/0240580 A1 * 10/2011 Yu et al. 211/183
2011/0278250 A1 * 11/2011 Malekmadani 211/134
2012/0025038 A1 * 2/2012 Seelman et al. 248/125.7
2012/0080655 A1 * 4/2012 Coffin 256/19
2012/0138758 A1 * 6/2012 Graber 248/221.11

* cited by examiner

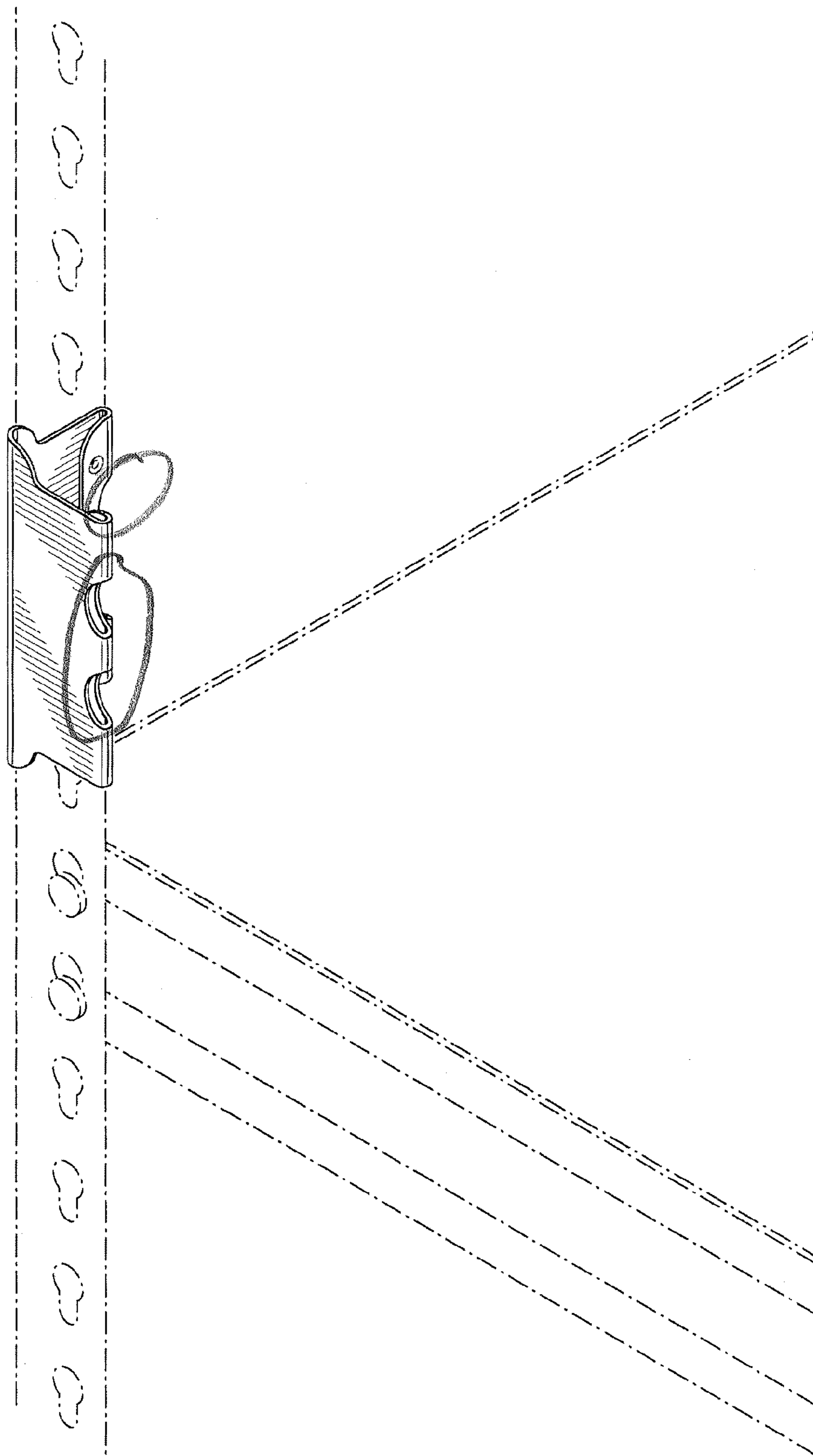


FIG. 1

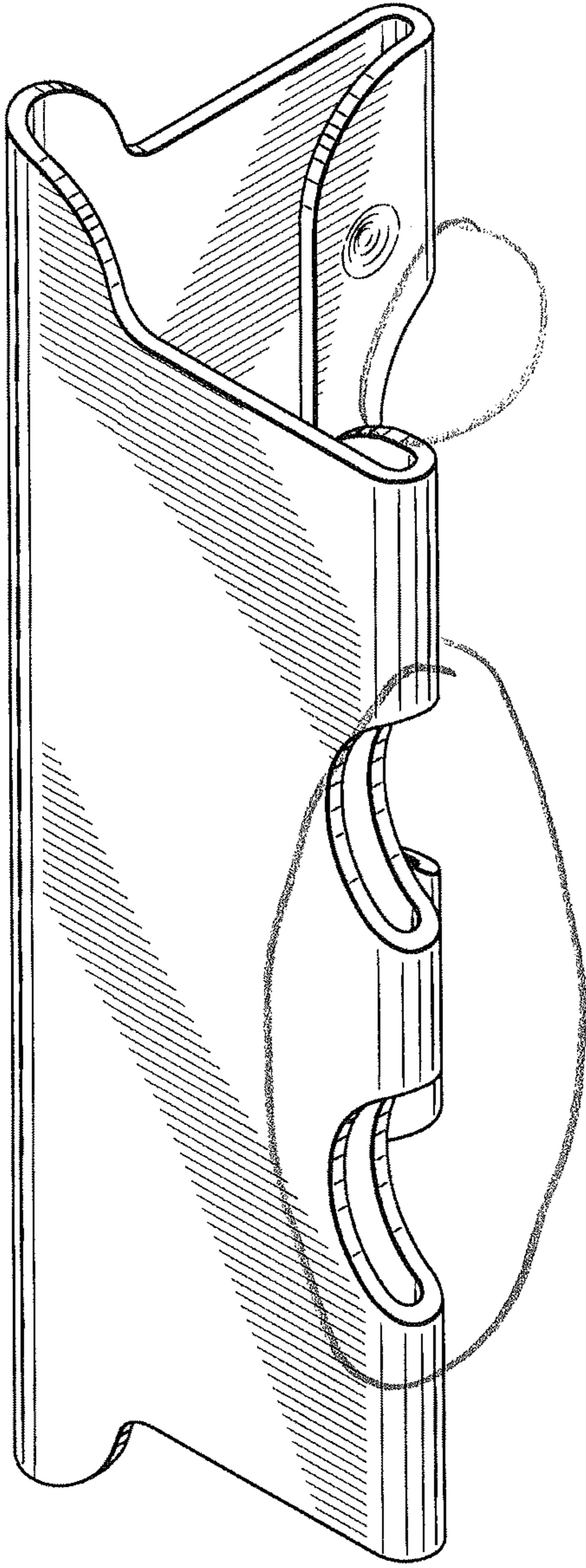


FIG. 2

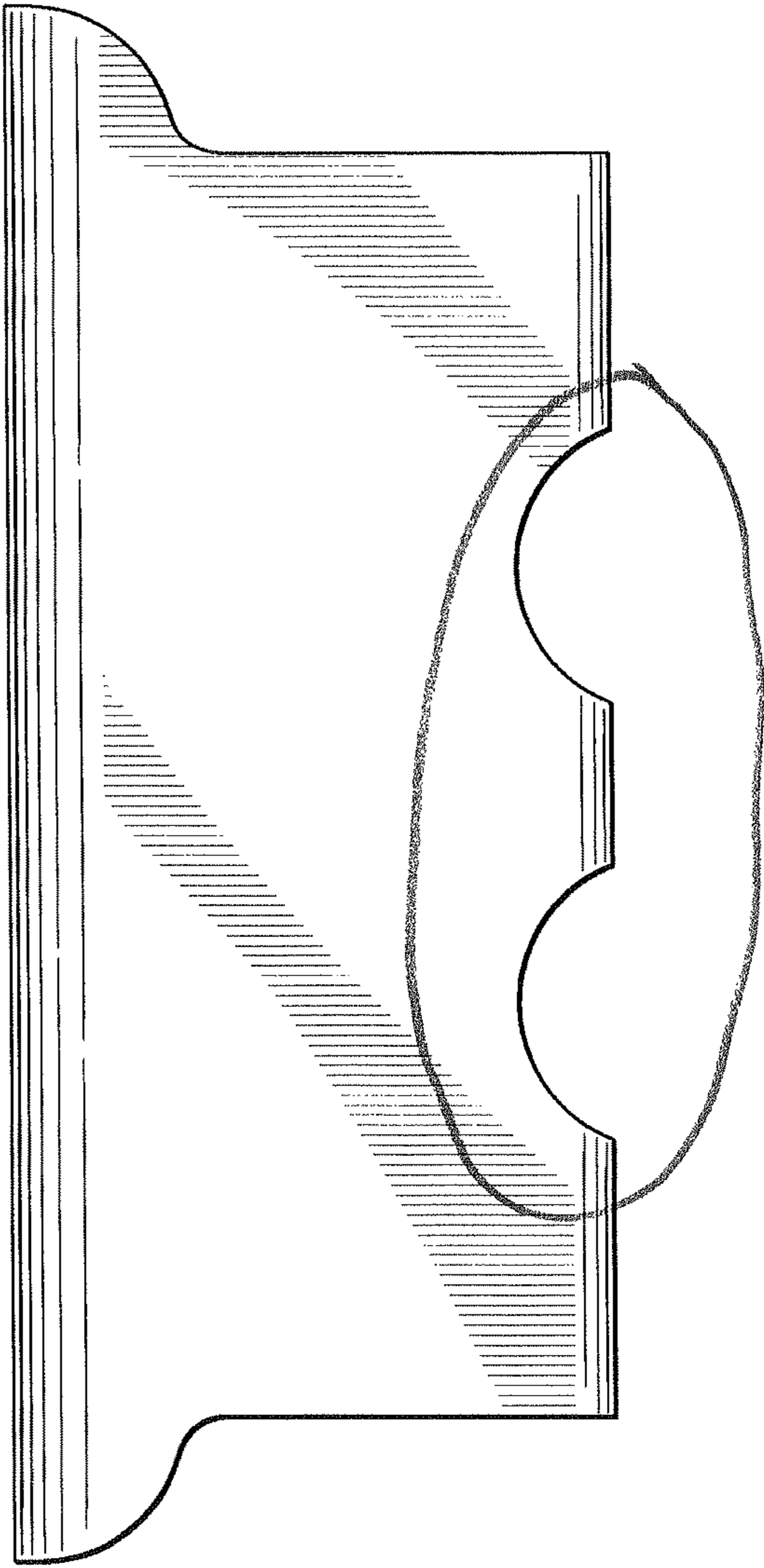


FIG. 3

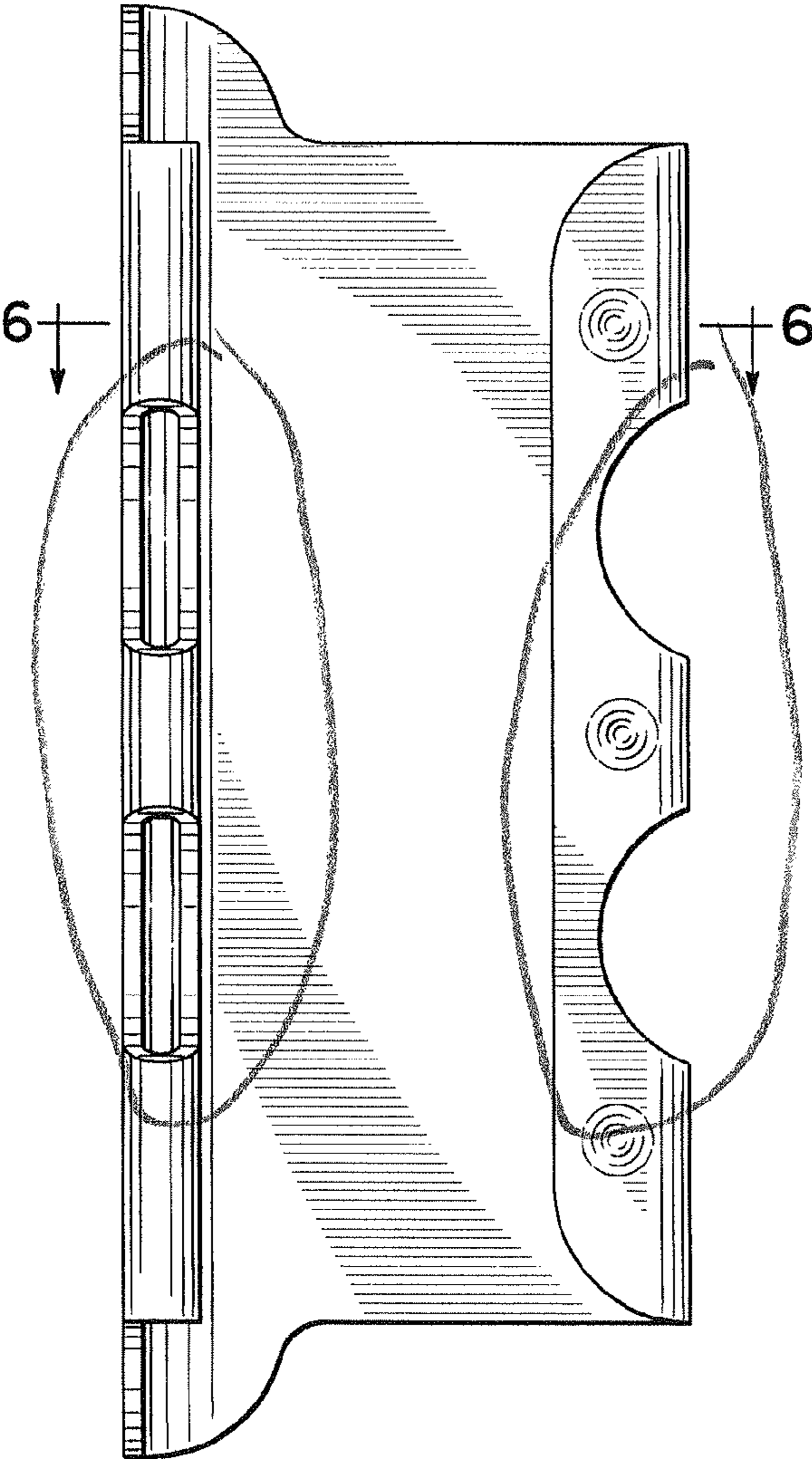


FIG. 4

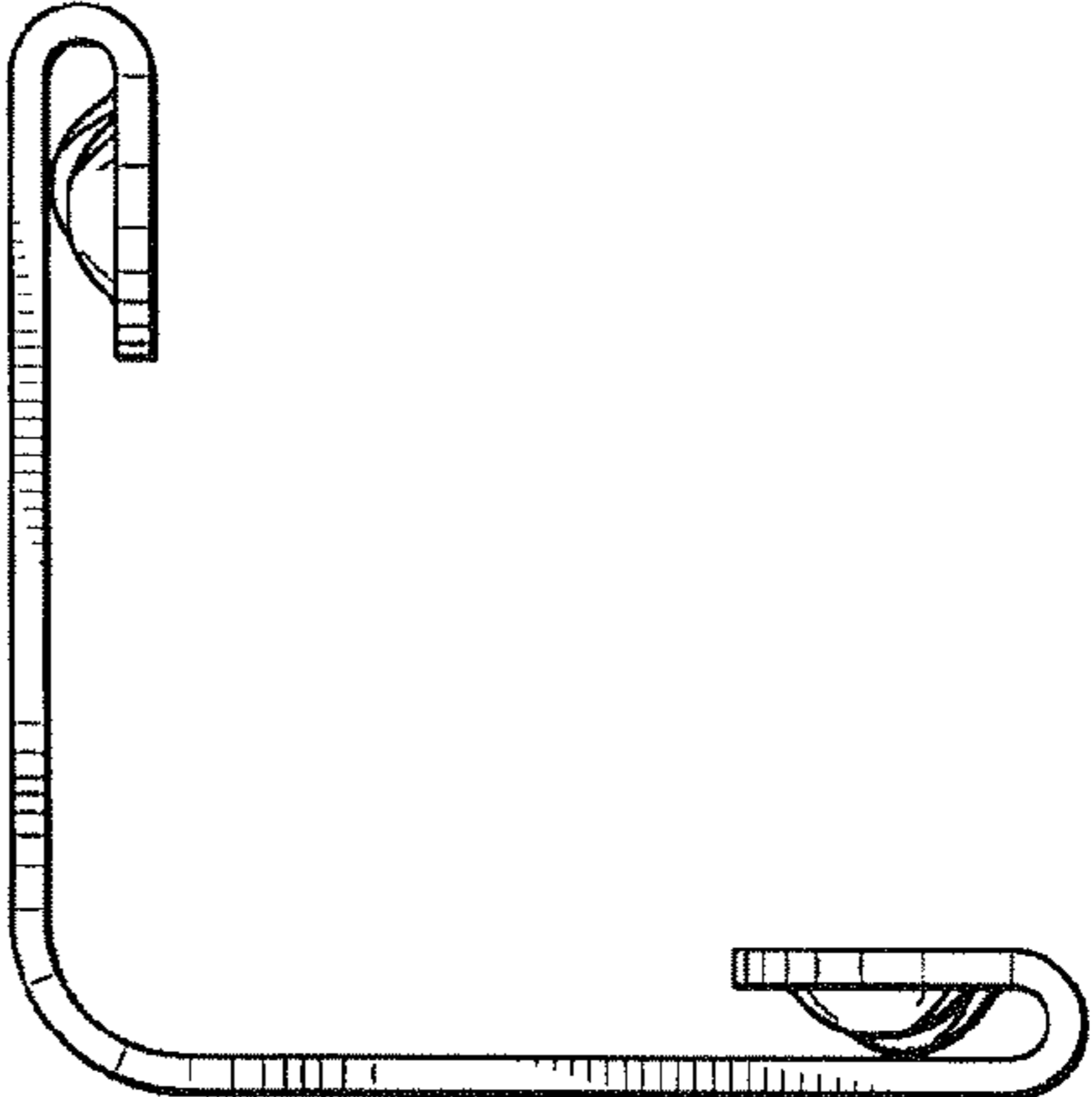


FIG. 5

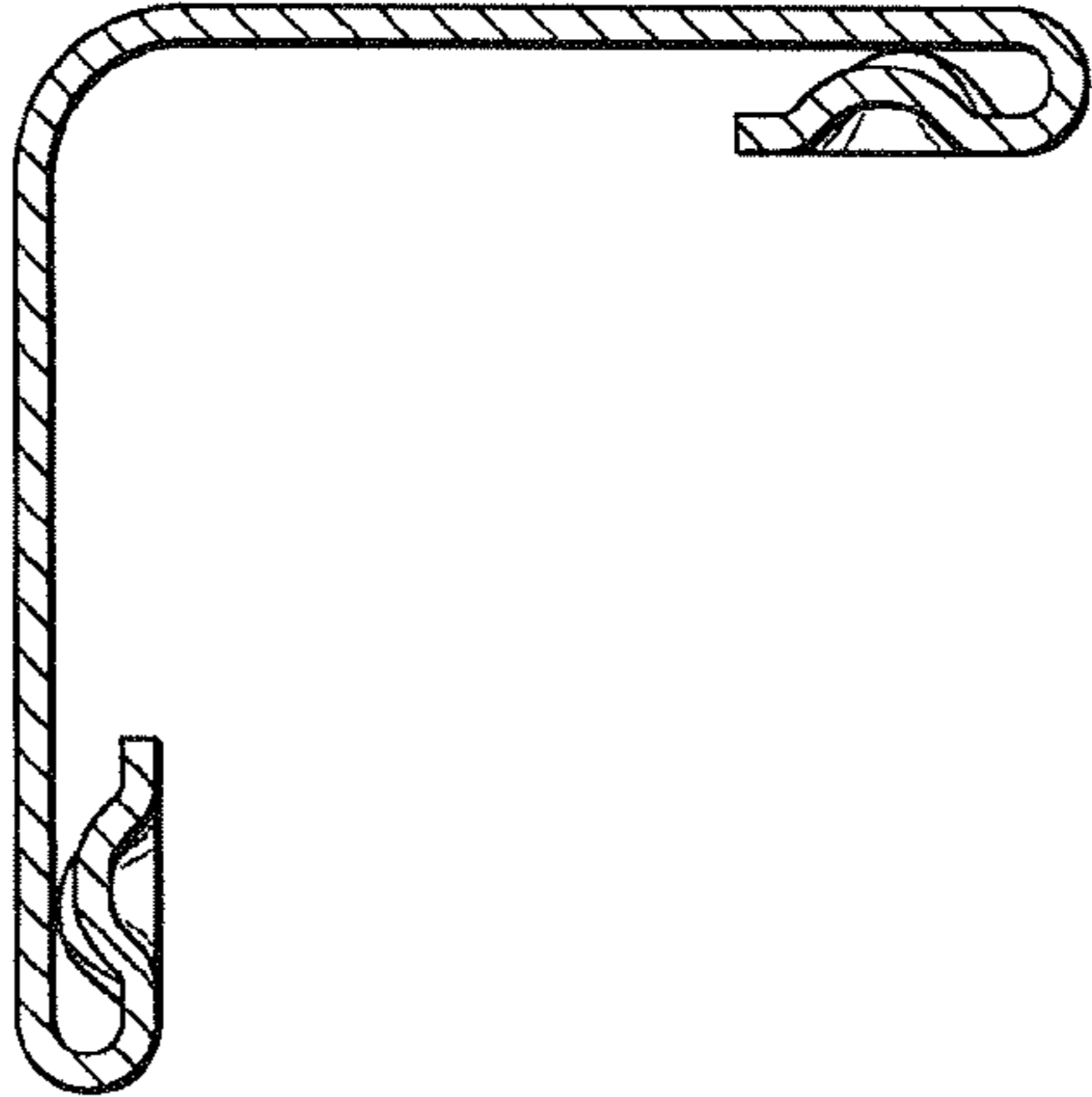


FIG. 6

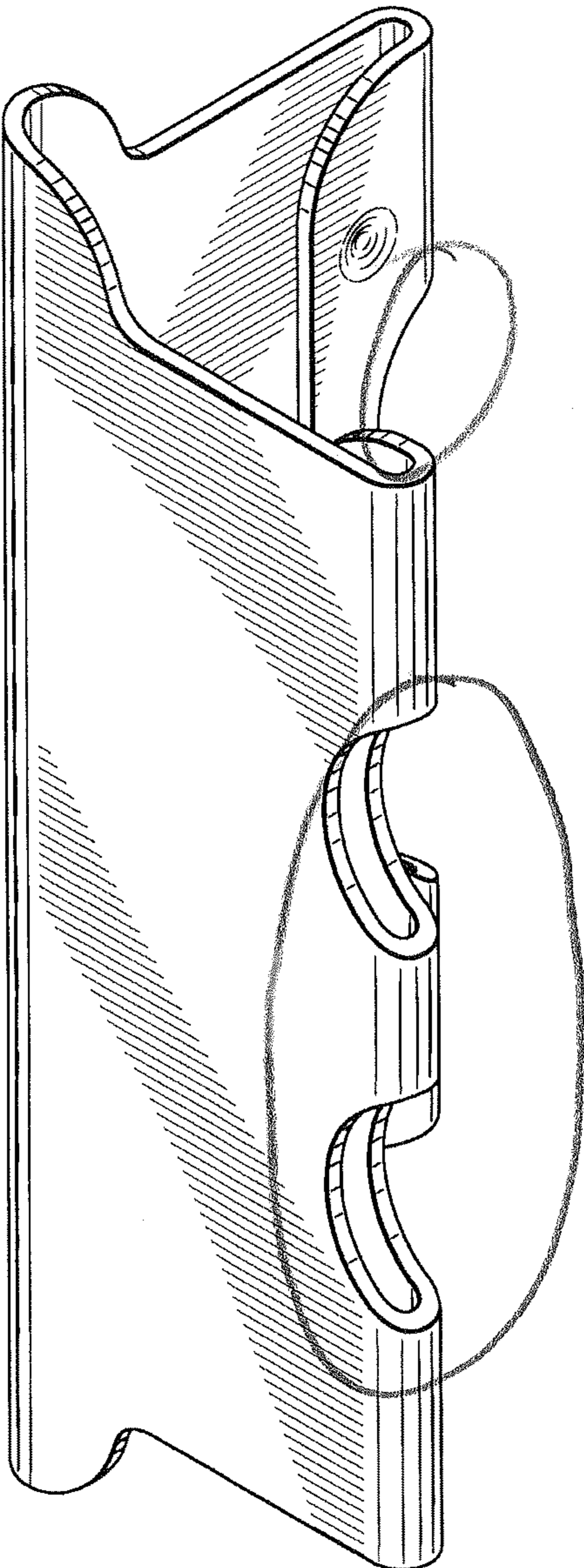


FIG. 7

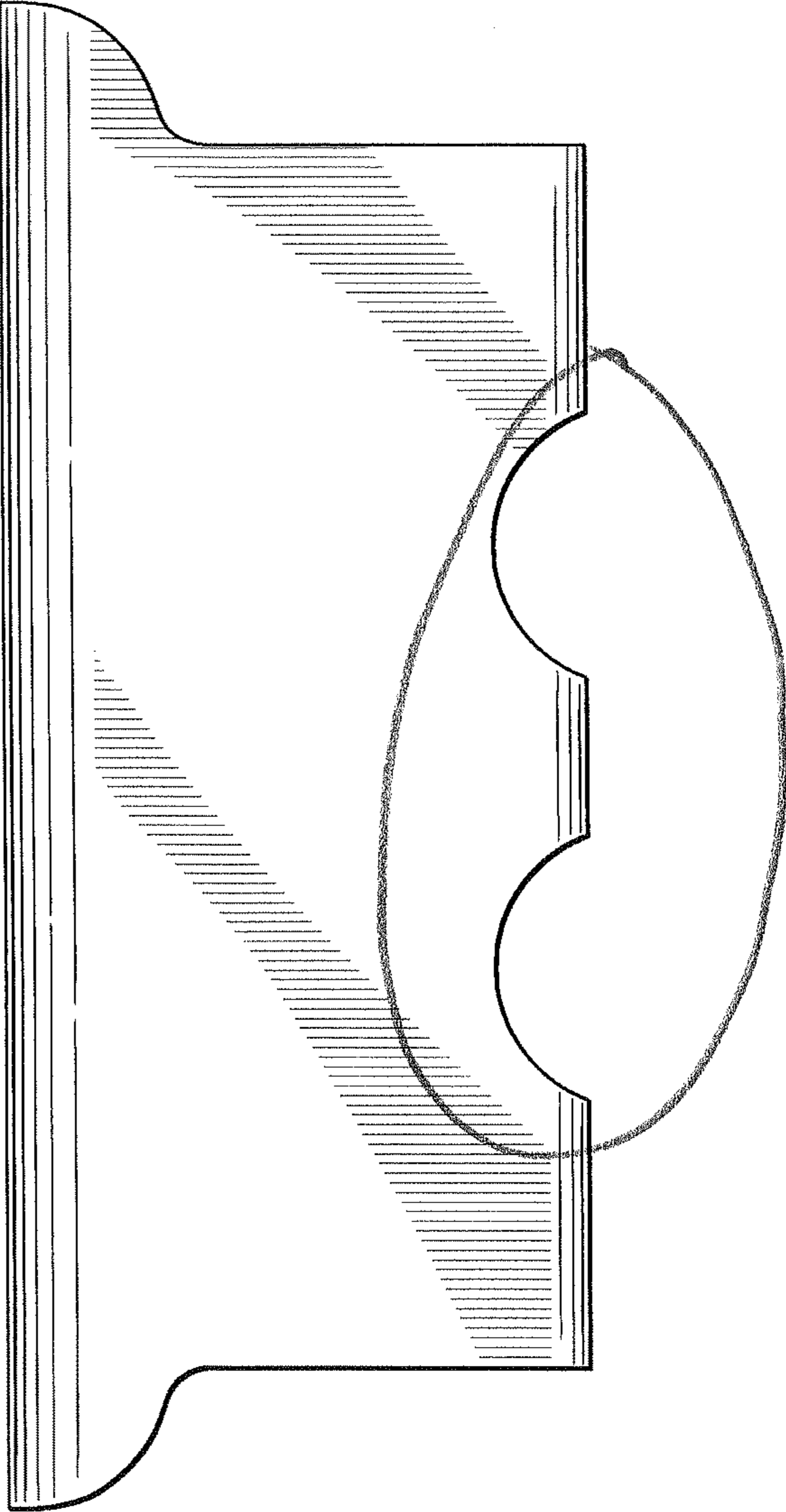


FIG. 8

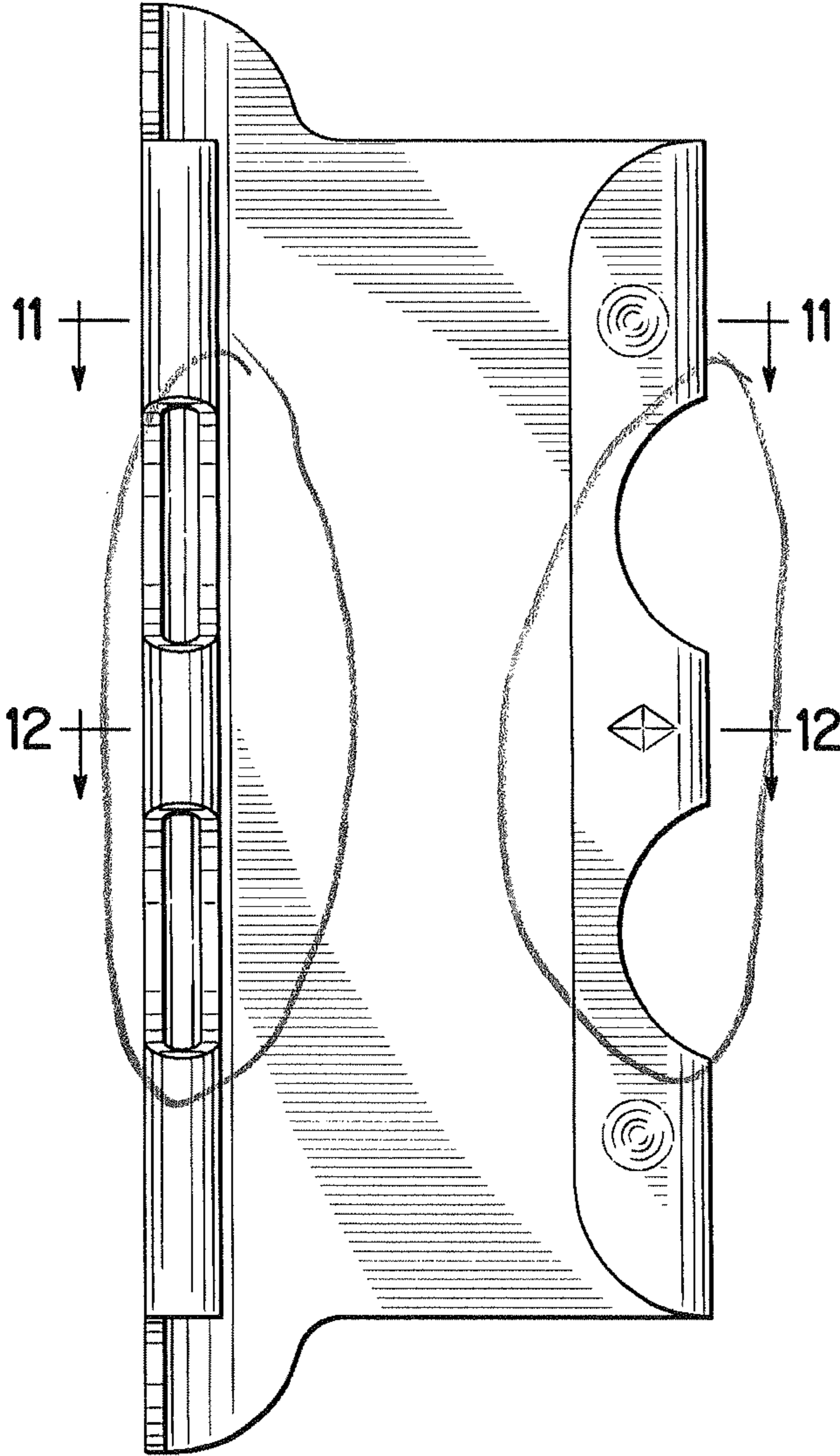


FIG. 9

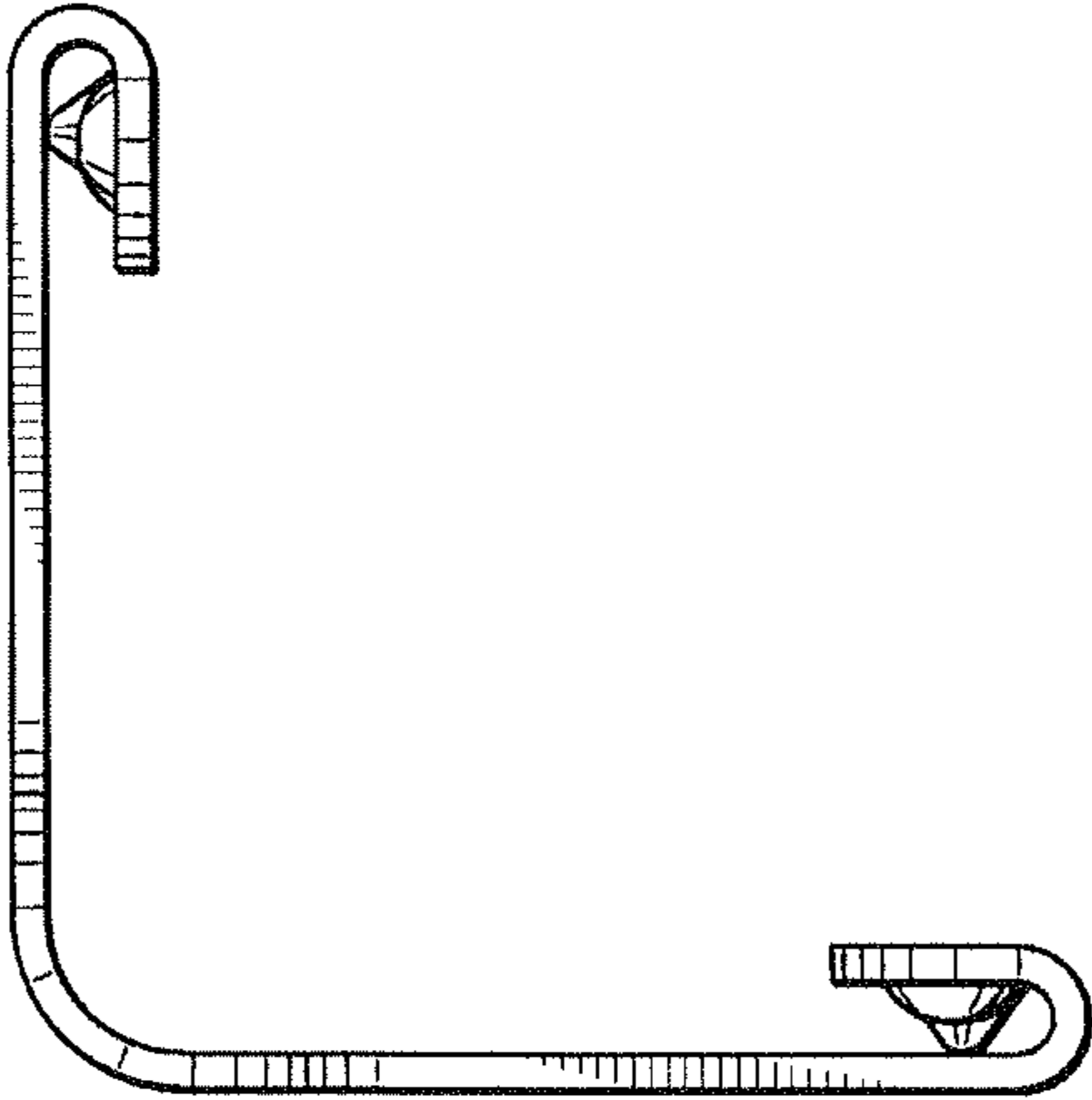


FIG. 10

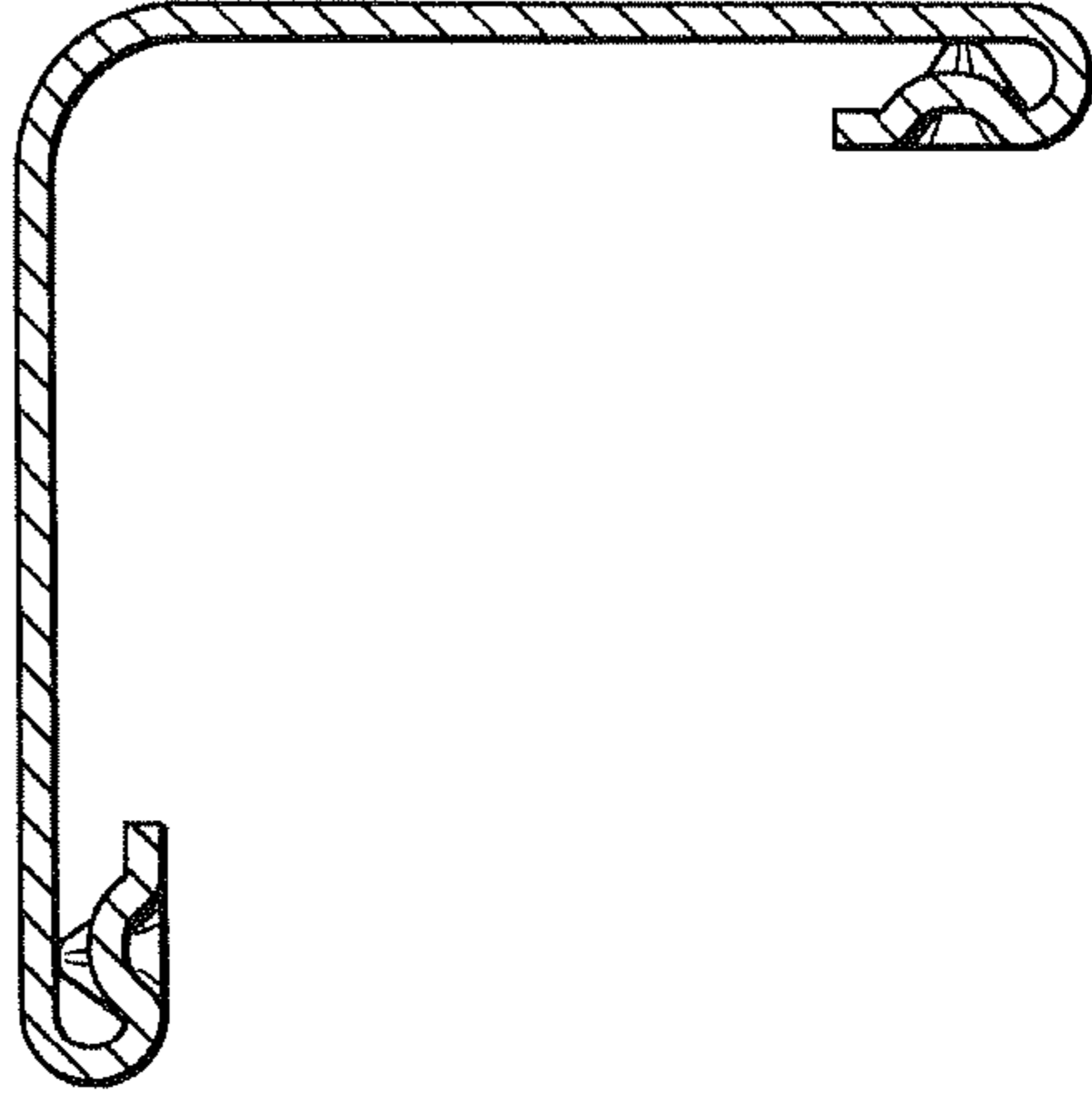


FIG. 11

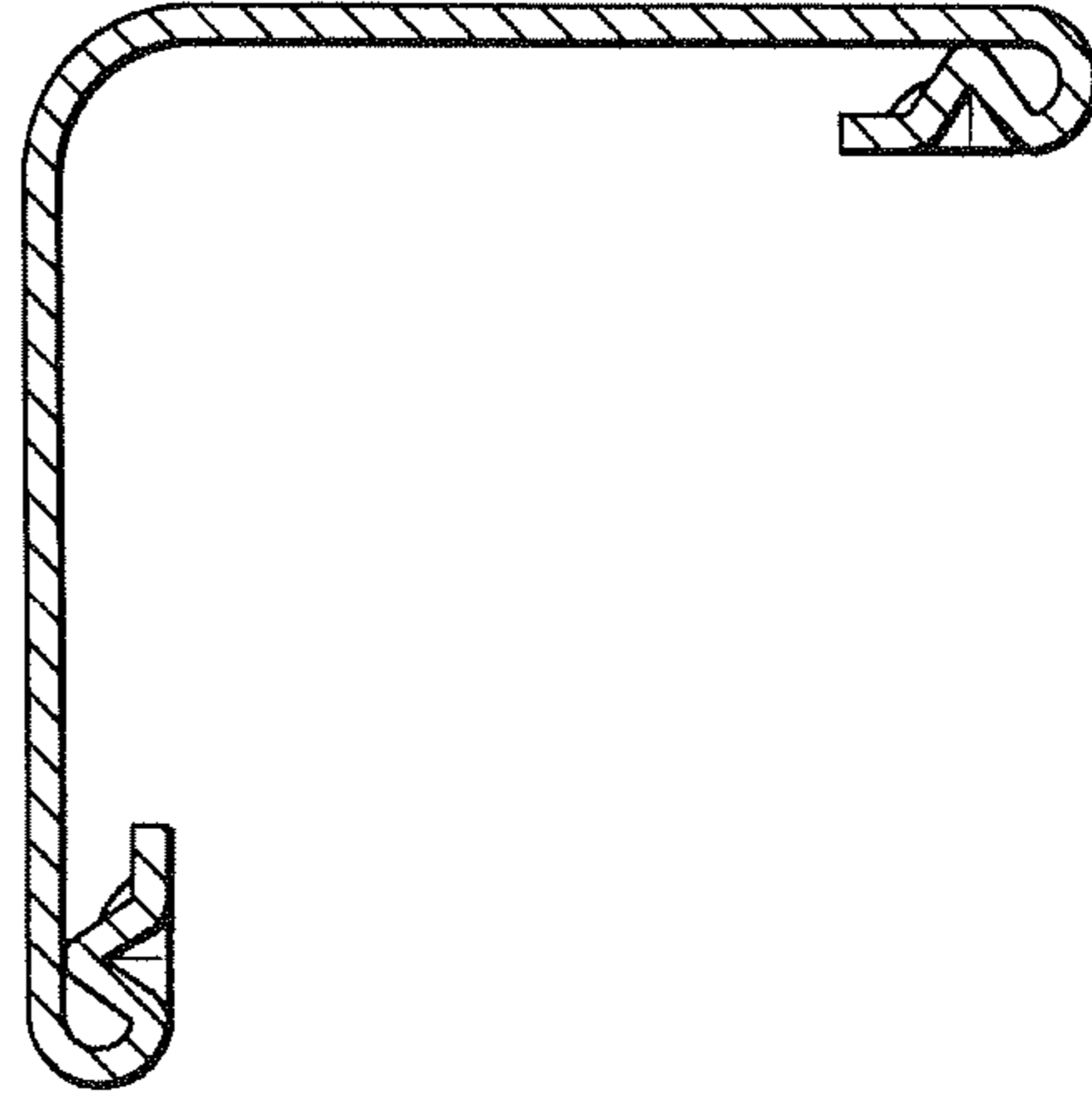


FIG. 12