



US00D690188S

(12) **United States Design Patent**
Pontus

(10) **Patent No.:** **US D690,188 S**

(45) **Date of Patent:** **** Sep. 24, 2013**

(54) **CORNER BRACKET**

(75) Inventor: **Eding Pontus**, Edsbyn (SE)

(73) Assignee: **NEFAB AB**, Jönköping (SE)

(**) Term: **14 Years**

(21) Appl. No.: **29/423,794**

(22) Filed: **Jun. 5, 2012**

(51) **LOC (9) Cl.** **08-08**

(52) **U.S. Cl.**

USPC **D8/349**; D8/354

(58) **Field of Classification Search**

USPC D8/39, 354, 349, 367, 373, 71, 363,
D8/380, 382; D25/119, 138, 121, 124, 125,
D25/126; D34/38; 248/323, 126, 300, 121,
248/200, 217.3; 206/512, 504, 585, 821;
411/466, 920;
52/715, 122.1, 204.5, 238.1–243.1, 285.2,
52/394, 395, 578, 582.1, 584.1, 589.1;
108/53.1, 53.3, 53.5, 55.3, 55.5, 55.1, 56.3

See application file for complete search history.

(56) **References Cited**

U.S. PATENT DOCUMENTS

2,643,046	A	*	6/1953	Humphreys	248/110
D248,274	S	*	6/1978	Kingston et al.	D8/354
4,161,254	A	*	7/1979	Taylor	206/504
D312,039	S	*	11/1990	Smith	D8/373
D314,326	S	*	2/1991	Sachs	D8/373
D337,720	S	*	7/1993	Handwerger et al.	D8/373
D408,716	S	*	4/1999	Vesledahl	D8/354
5,897,086	A	*	4/1999	Condon	248/220.1
D422,483	S	*	4/2000	Shea	D8/354
D422,886	S	*	4/2000	Shea	D8/354
D442,471	S	*	5/2001	Willett	D8/354
D463,894	S	*	10/2002	Ghafourian et al.	D34/38

D508,251	S	*	8/2005	Tuccinardi et al.	D16/132
D517,402	S	*	3/2006	Cairns	D8/381
D605,930	S	*	12/2009	Piersant	D8/381
D608,183	S	*	1/2010	Meyer et al.	D8/354
D622,578	S	*	8/2010	Kollman	D8/380
D638,694	S	*	5/2011	Misch	D8/380
D647,386	S	*	10/2011	Pelini	D8/349
D648,094	S	*	11/2011	Medina	D34/38
D649,016	S	*	11/2011	Rasmussen	D8/354
D654,063	S	*	2/2012	Sergi	D14/238
D663,190	S	*	7/2012	Mota et al.	D8/349
D667,288	S	*	9/2012	Preda	D8/354
D667,289	S	*	9/2012	Preda	D8/354

* cited by examiner

Primary Examiner — Mark Goodwin

(74) *Attorney, Agent, or Firm* — Dilworth & Barresa, LLP.

(57) **CLAIM**

The ornamental design for a corner bracket, as shown and described.

DESCRIPTION

FIG. 1 is a top front perspective view from the right of the corner bracket showing my new design;

FIG. 2 is a bottom front perspective view from right of the corner bracket of FIG. 1;

FIG. 3 is a front elevational view of the corner bracket of FIGS. 1 and 2;

FIG. 4 is a rear elevational view of the corner bracket of FIGS. 1-3;

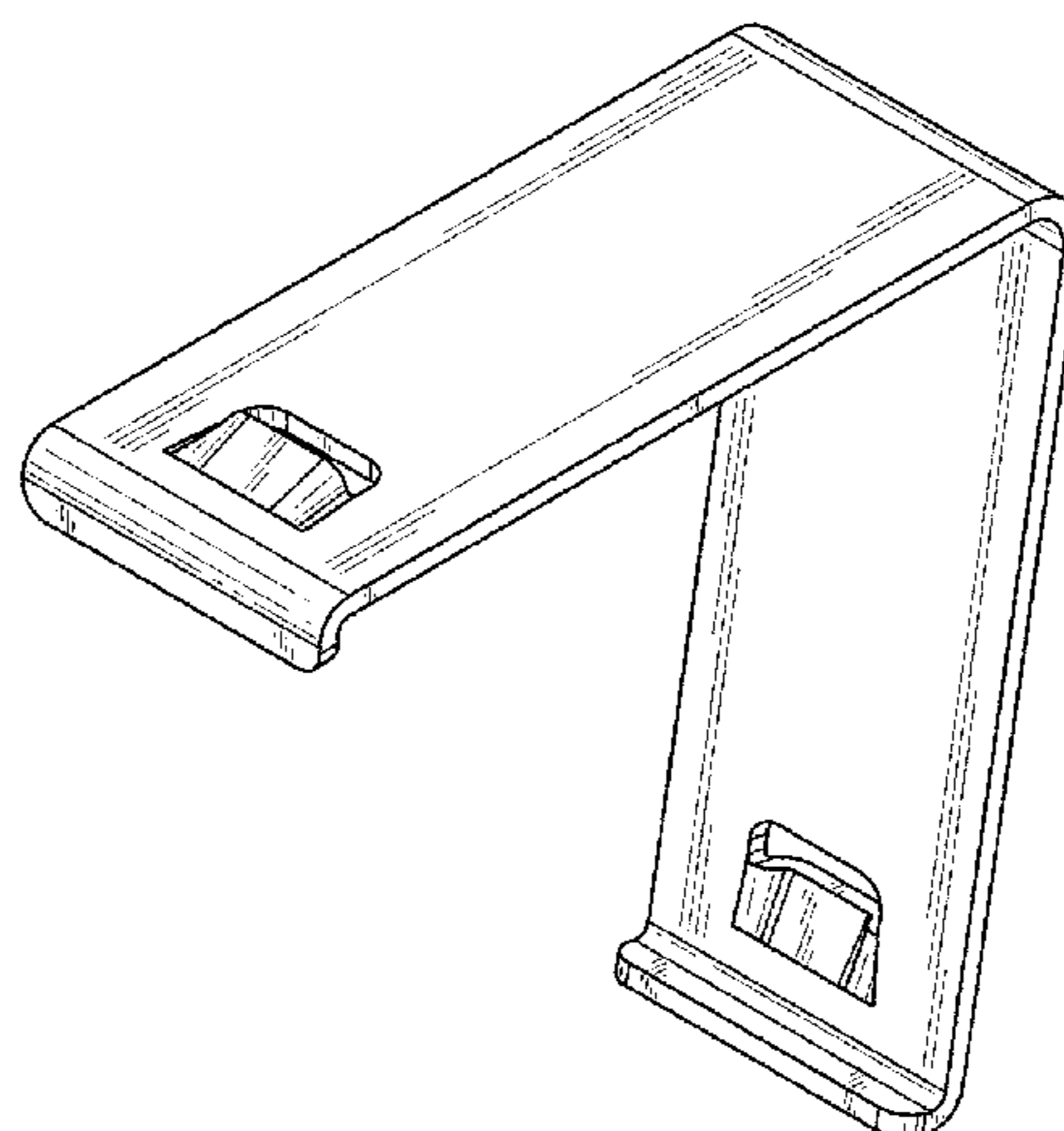
FIG. 5 is a bottom plan view of the corner bracket of FIGS. 1-4;

FIG. 6 is a top plan view of the corner bracket of FIGS. 1-5;

FIG. 7 is a left side elevational view of the corner bracket of FIGS. 1-6; and,

FIG. 8 is a right side elevational view of the corner bracket of FIGS. 1-7.

1 Claim, 3 Drawing Sheets



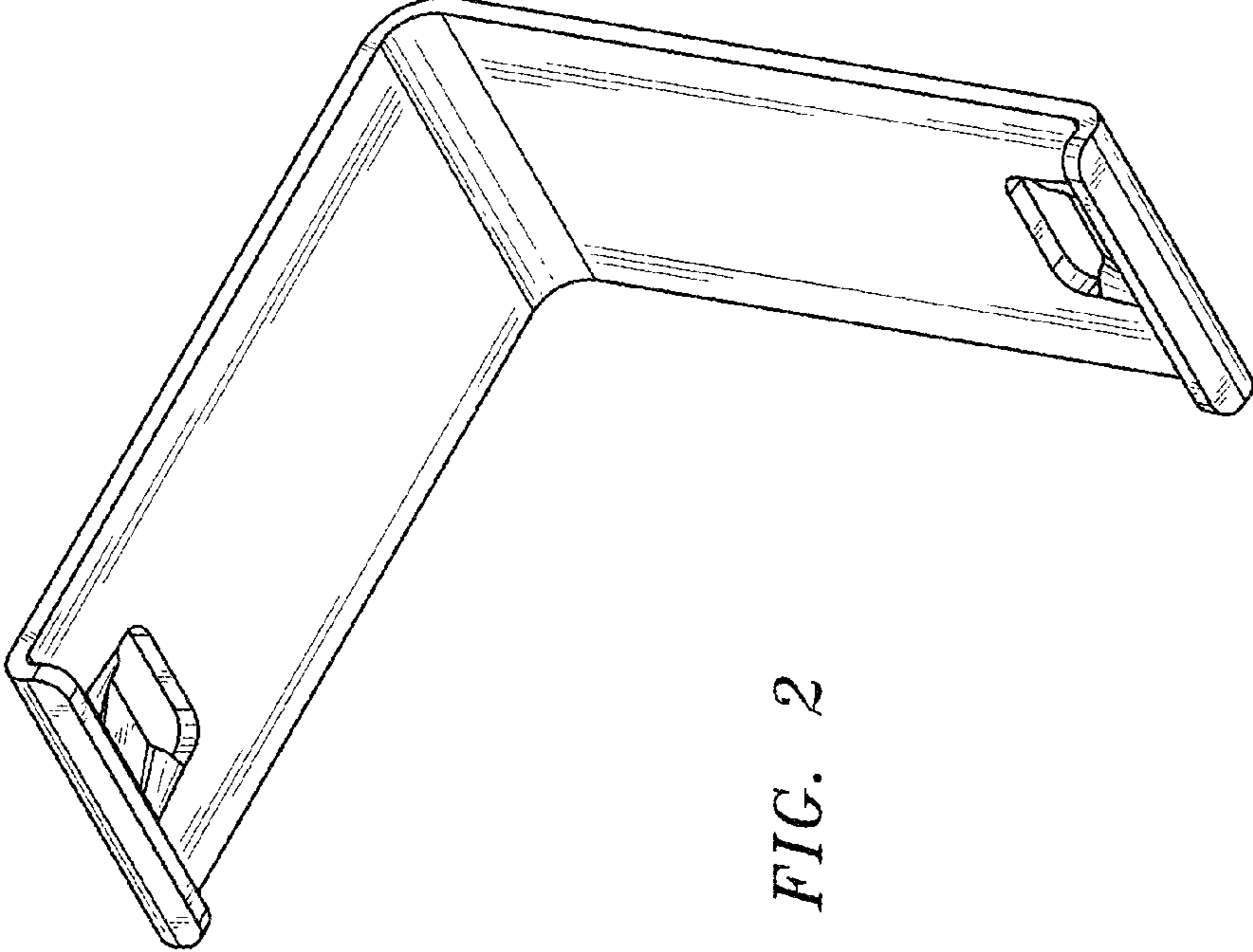


FIG. 2

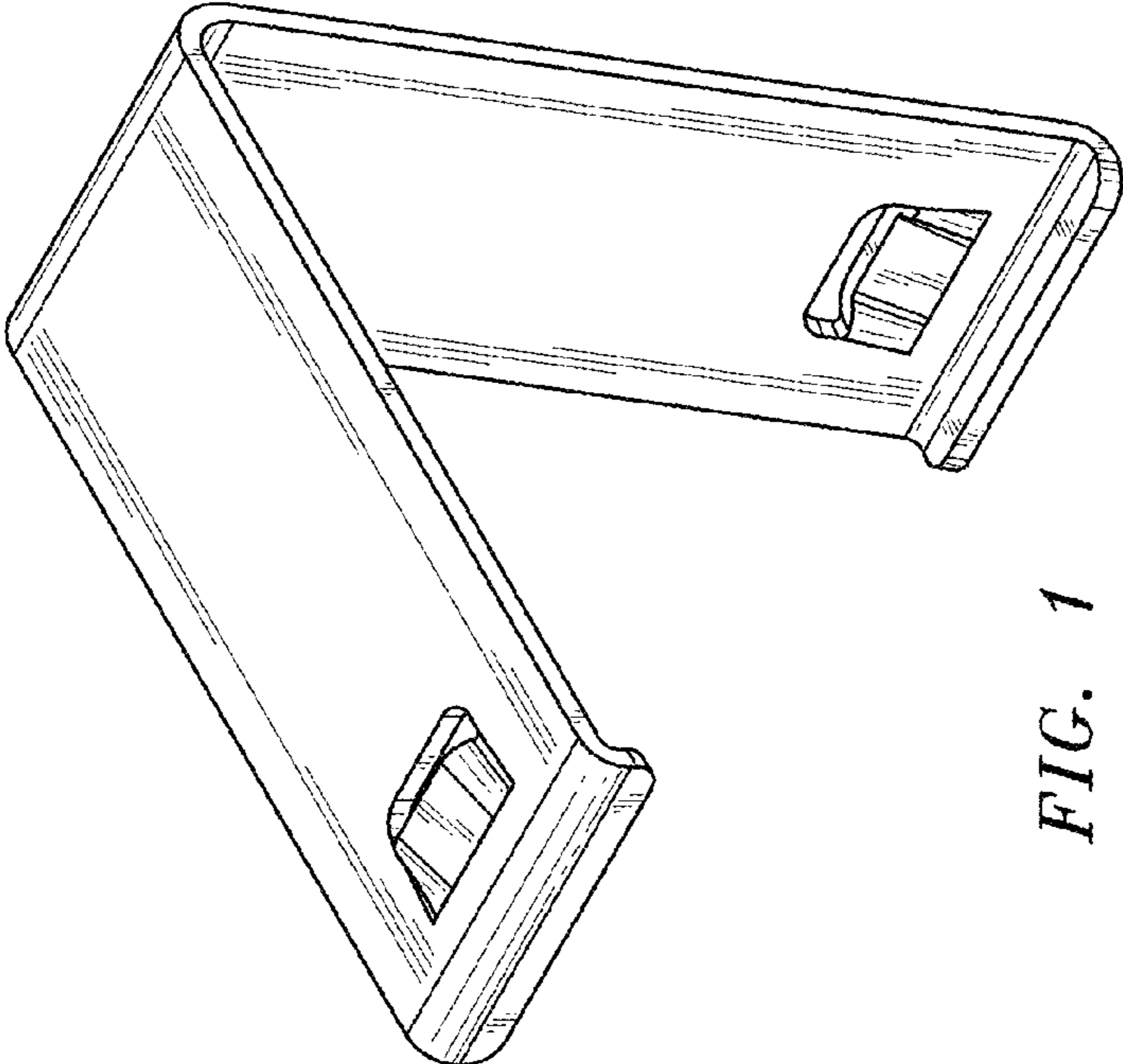


FIG. 1

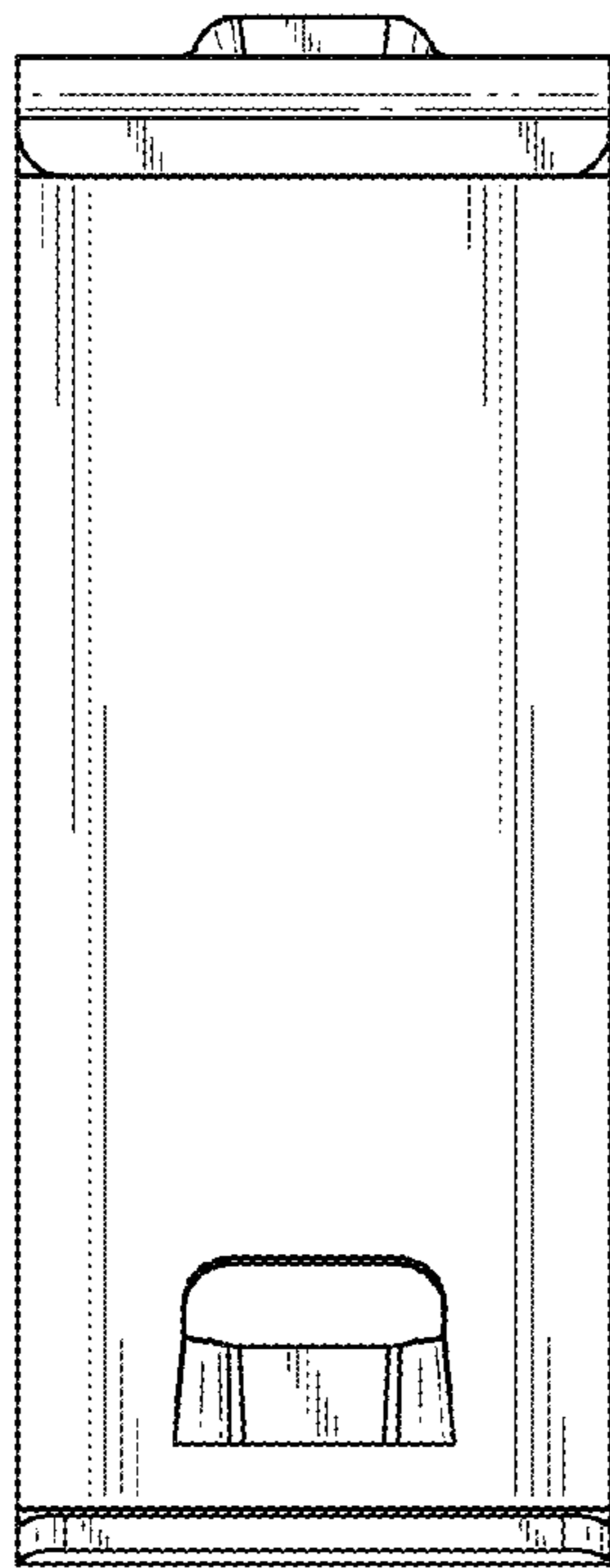


FIG. 3

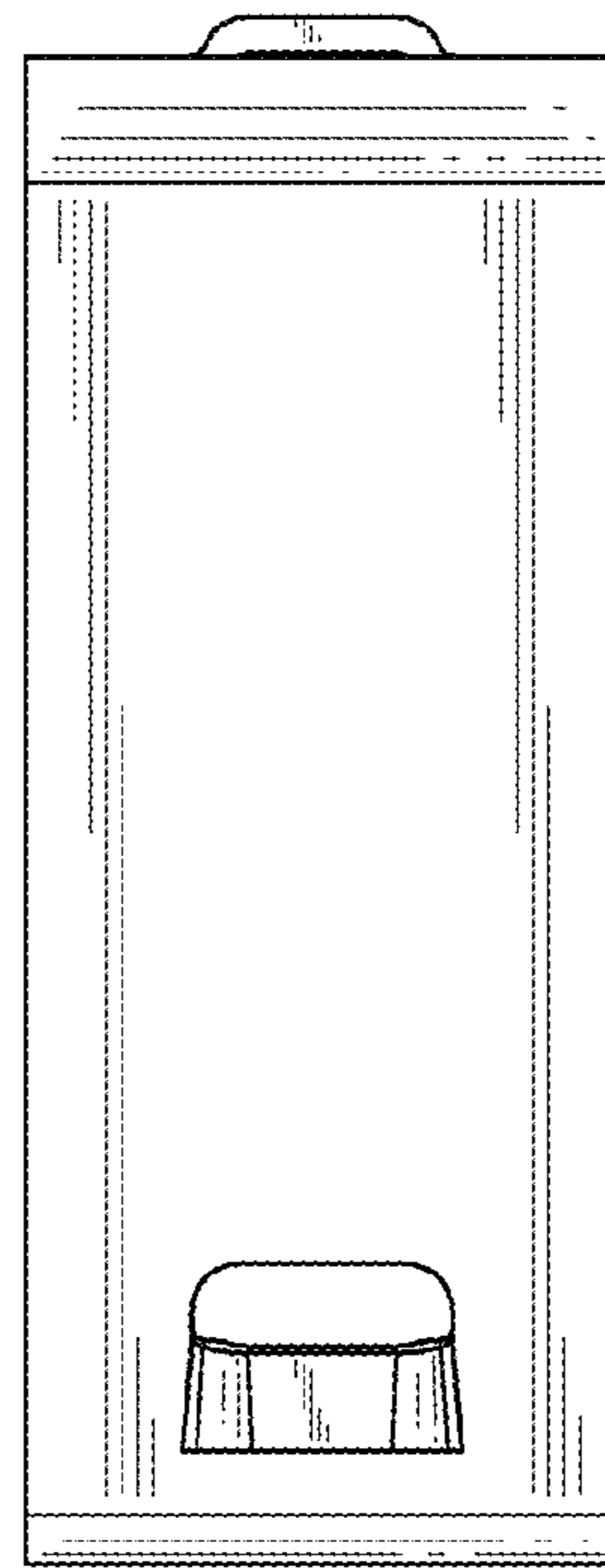


FIG. 4

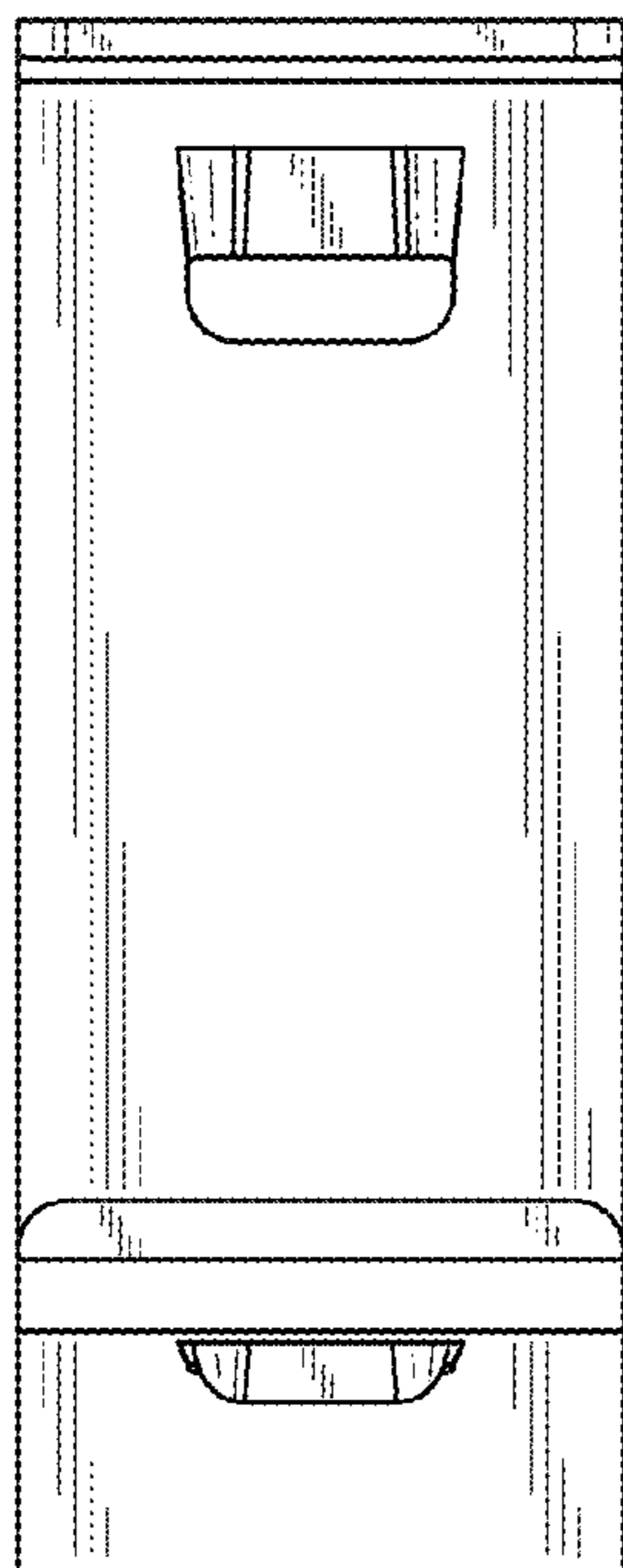


FIG. 5

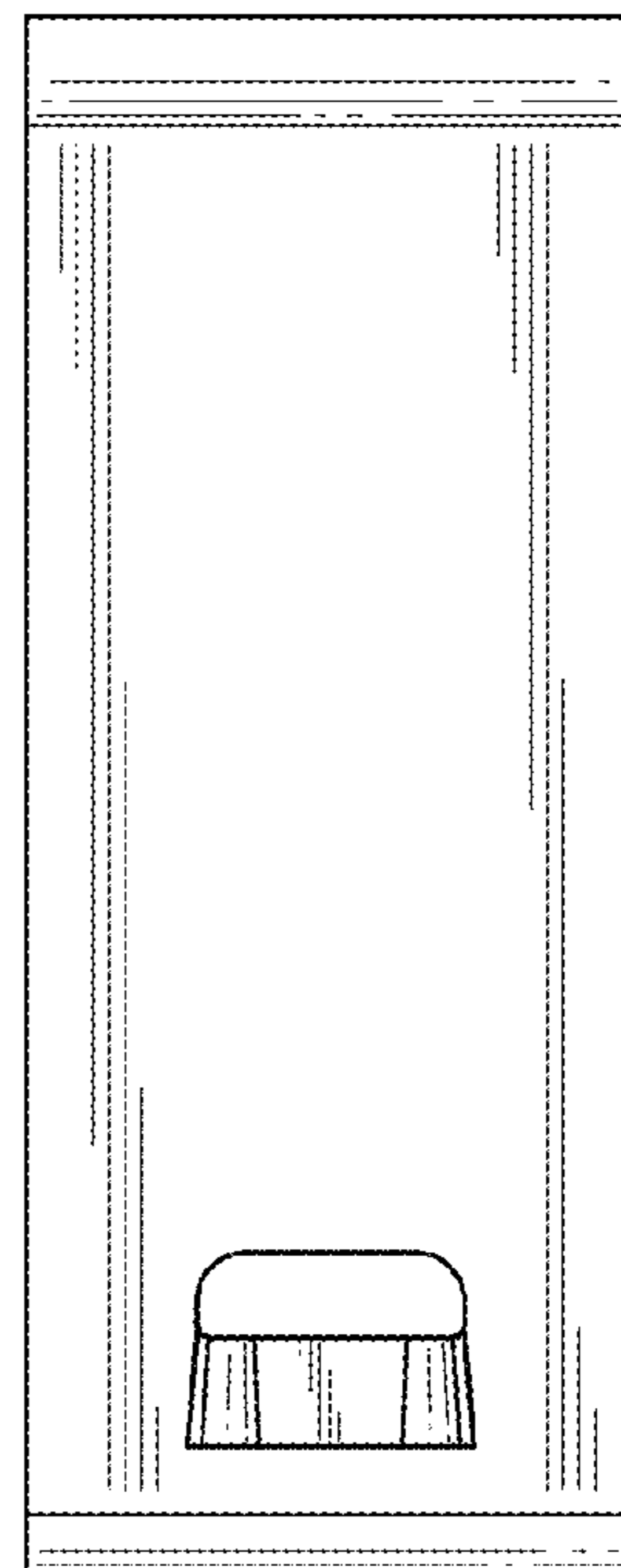


FIG. 6

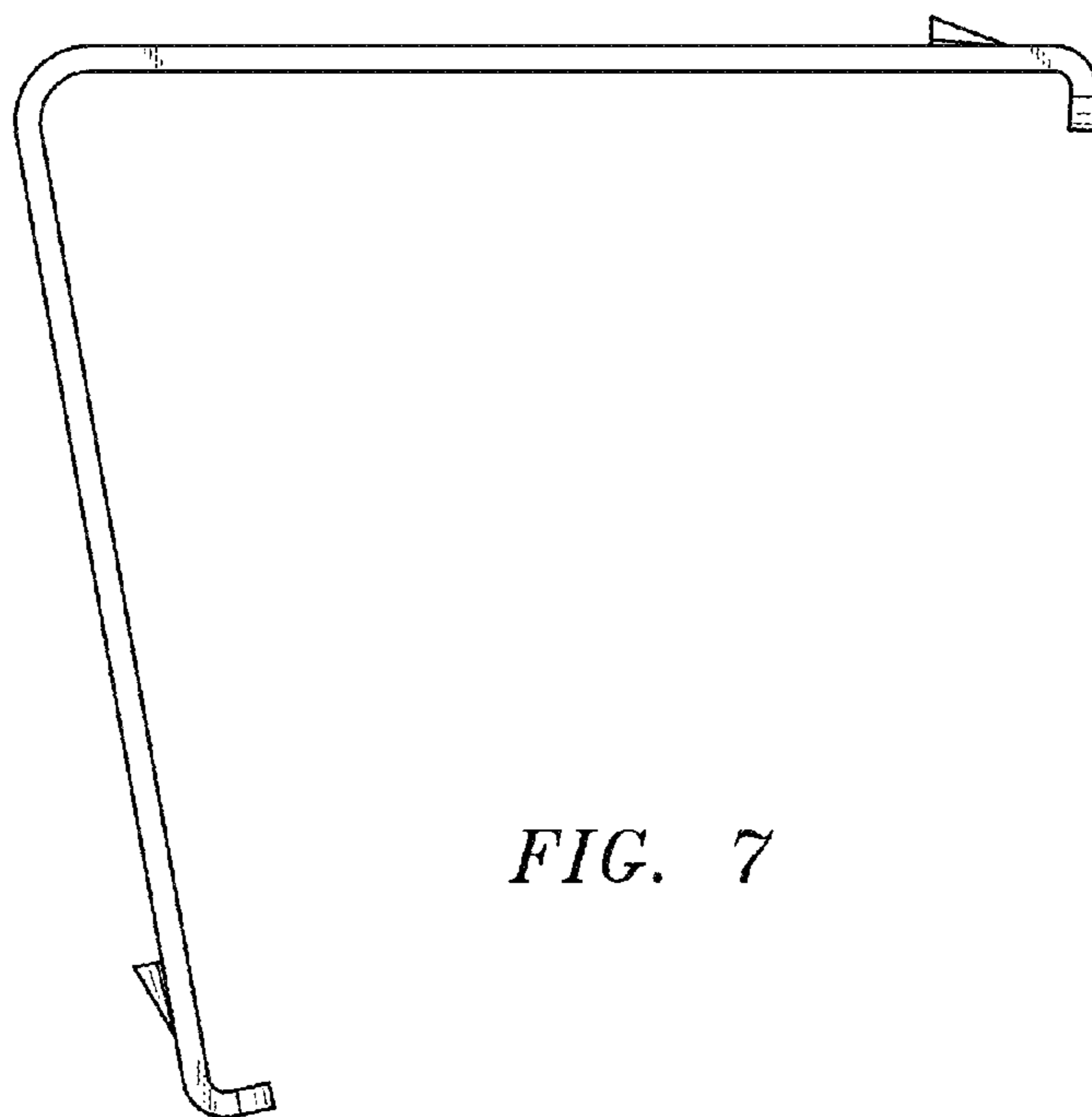


FIG. 7

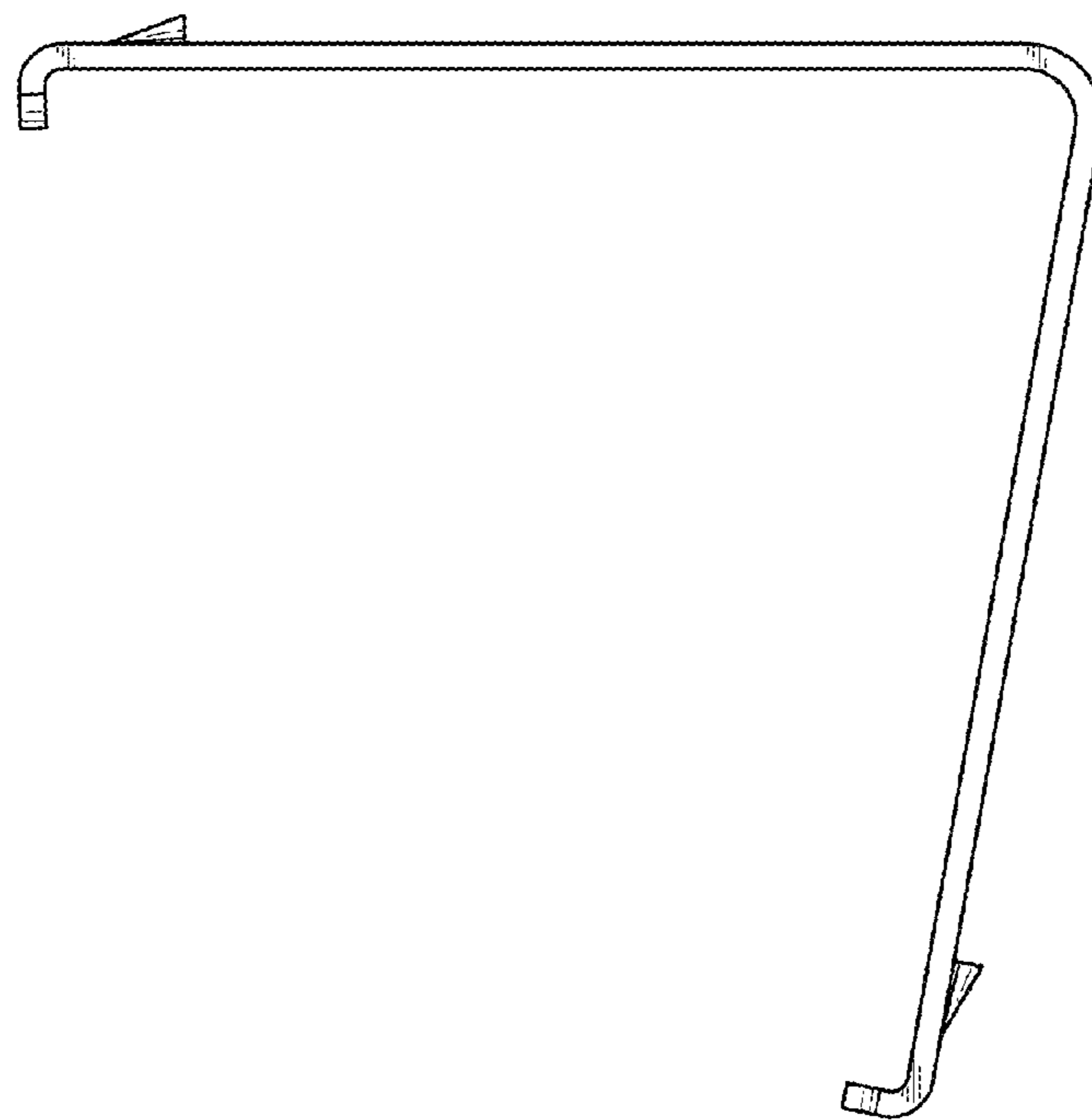


FIG. 8