



US00D690187S

(12) **United States Design Patent**
Deslias

(10) **Patent No.:** **US D690,187 S**

(45) **Date of Patent:** **** Sep. 24, 2013**

(54) **DEVICE FOR SECURING A CORK**

7,570,161 B2 * 8/2009 Necchi 340/568.1
7,961,099 B2 * 6/2011 Rendon et al. 340/572.1
8,087,269 B2 * 1/2012 Conti et al. 70/14

(75) Inventor: **Olivier Deslias**, Bourg Charente (FR)

(73) Assignee: **Les Bouchages Delage SAS**,
Gensac-la-Pallue (FR)

(**) Term: **14 Years**

(21) Appl. No.: **29/428,537**

(22) Filed: **Jul. 31, 2012**

(30) **Foreign Application Priority Data**

Feb. 1, 2012 (EM) 001984717-0001

(51) **LOC (9) Cl.** **08-07**

(52) **U.S. Cl.**
USPC **D8/330; D8/343**

(58) **Field of Classification Search**
USPC D8/330, 331, 332, 343, 346, 349;
70/14, 57, 57.1, 58, 51, 54, 141, 431, 465
See application file for complete search history.

(56) **References Cited**

U.S. PATENT DOCUMENTS

4,727,998 A * 3/1988 Simon 215/230
D335,439 S * 5/1993 Leyden et al. D8/332
D445,683 S * 7/2001 Michael et al. D9/443
D446,118 S * 8/2001 Michael et al. D9/443
6,631,629 B1 10/2003 Fuss et al.
6,886,376 B2 * 5/2005 Kuo 70/58
7,007,523 B2 * 3/2006 Belden, Jr. 70/57.1
D540,650 S * 4/2007 Durbin D8/330
D596,520 S * 7/2009 Sayegh et al. D10/106.92

FOREIGN PATENT DOCUMENTS

FR 1 226 132 A 7/1960
WO 2006/033124 A1 3/2006
WO 2009/032038 A1 3/2009
WO 2009/063526 A1 5/2009
WO 2010/055449 A2 5/2010

OTHER PUBLICATIONS

International Search Report, dated Nov. 3, 2011, from corresponding PCT application.

* cited by examiner

Primary Examiner — Prabhakar Deshmukh

(74) *Attorney, Agent, or Firm* — Young & Thompson

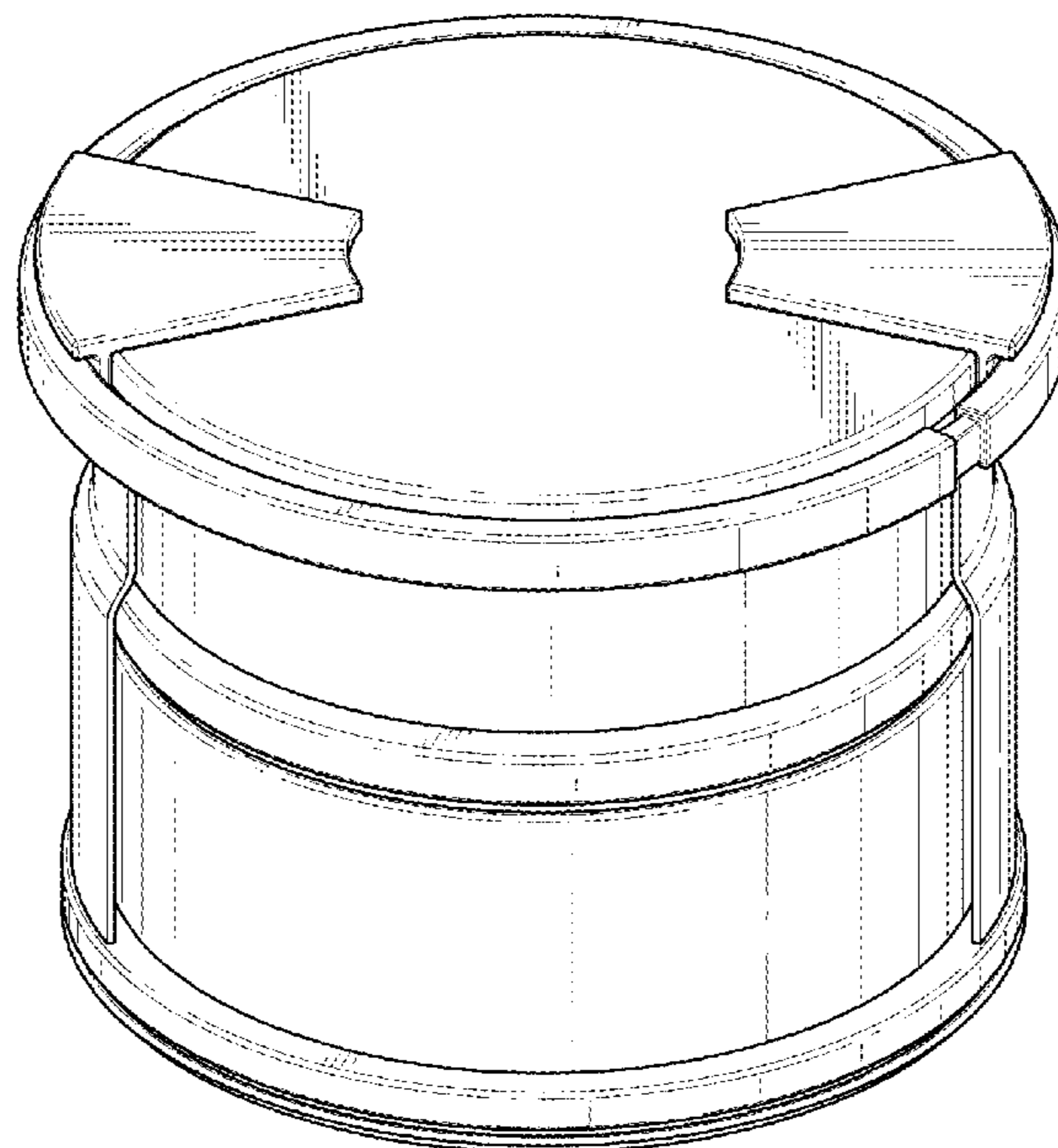
(57) **CLAIM**

The ornamental design for a device for securing a cork, as shown and described.

DESCRIPTION

FIG. 1 is a front and top perspective view of a device for securing a cork showing the new design;
FIG. 2 is a top plan view thereof;
FIG. 3 is a front elevation view thereof;
FIG. 4 is a rear elevation view thereof;
FIG. 5 is a right side elevation view thereof; and,
FIG. 6 is a left side elevation view thereof.

1 Claim, 4 Drawing Sheets



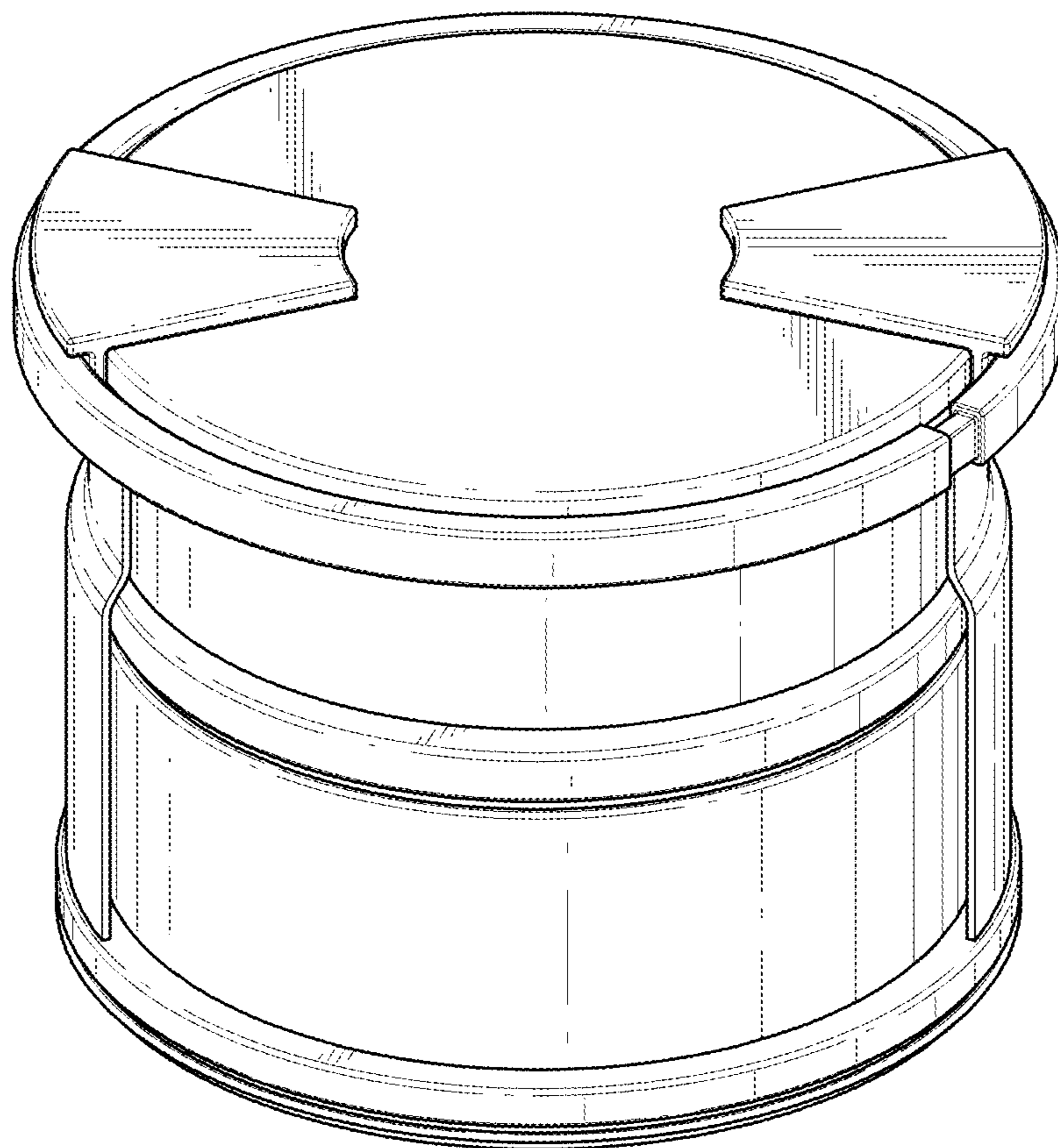


FIG. 1

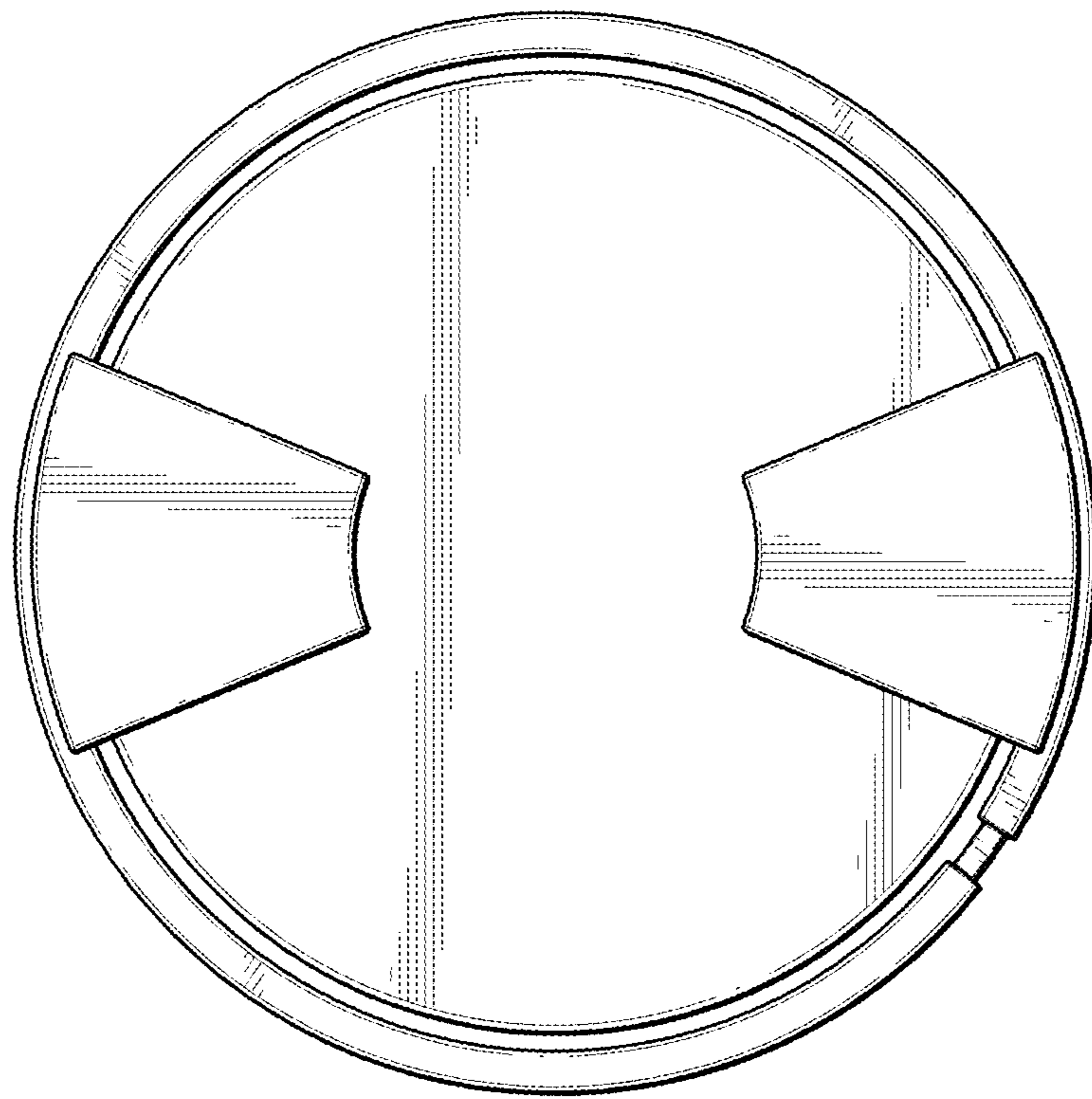


FIG. 2

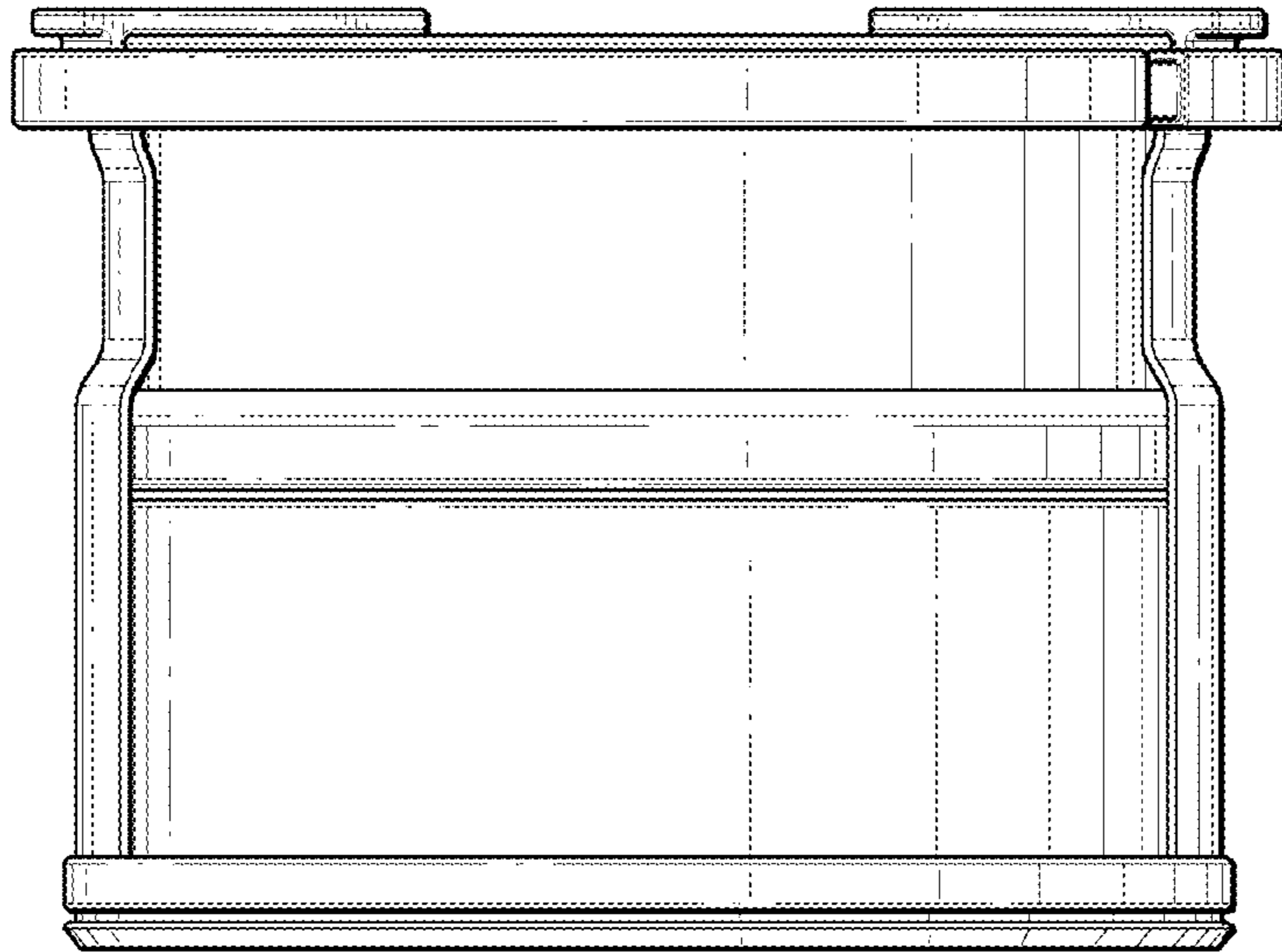


FIG. 3

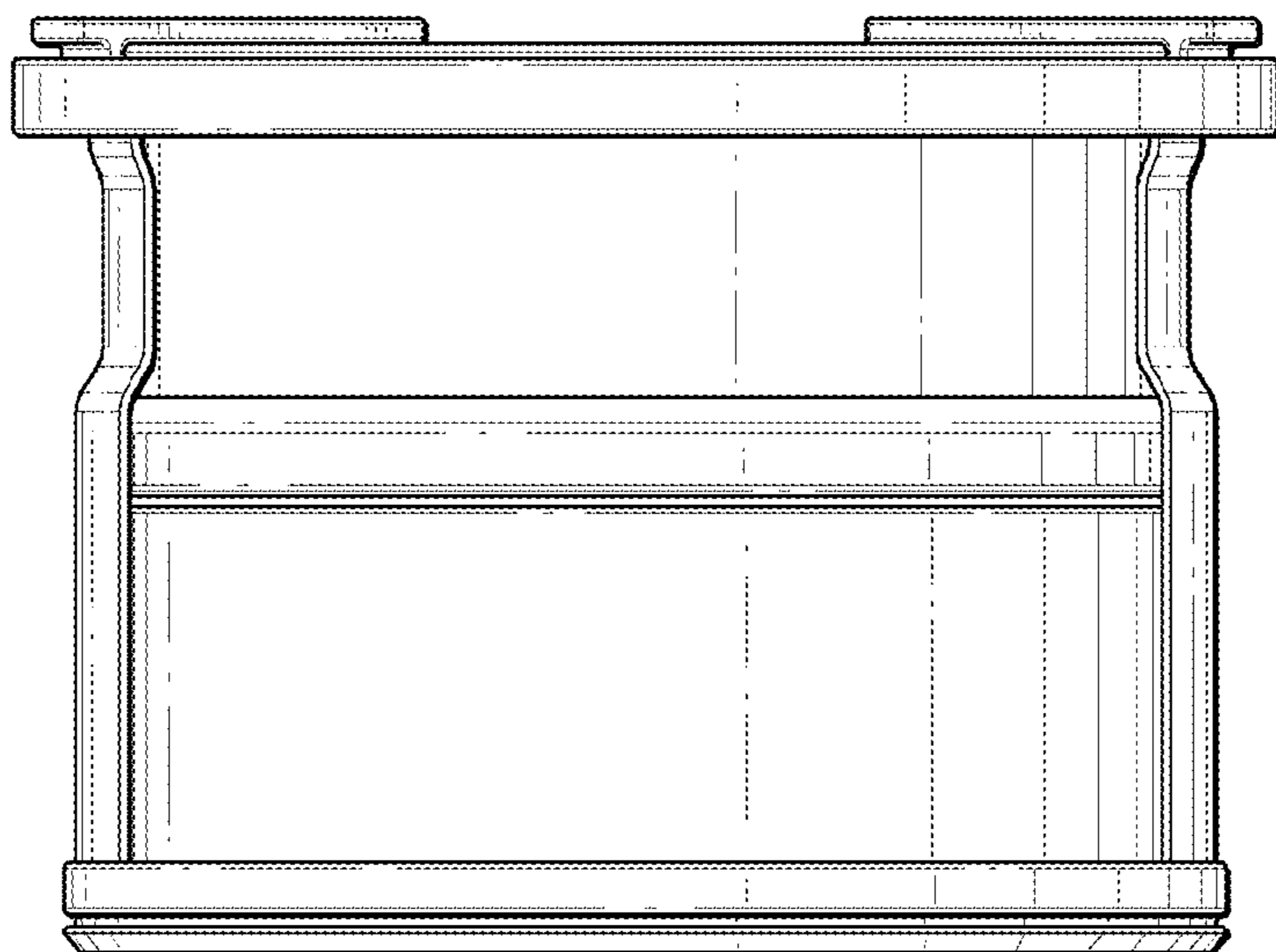


FIG. 4

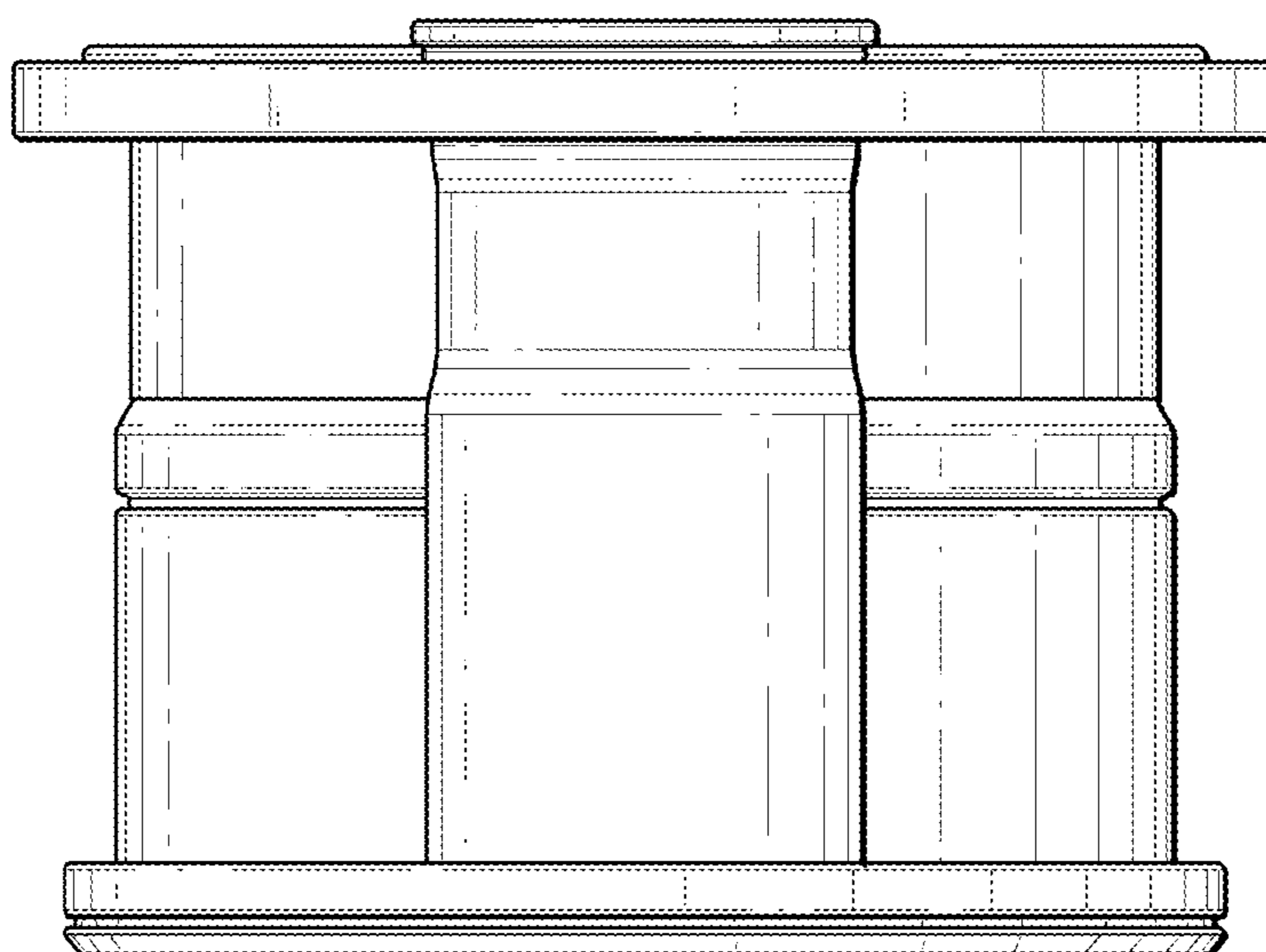


FIG. 5

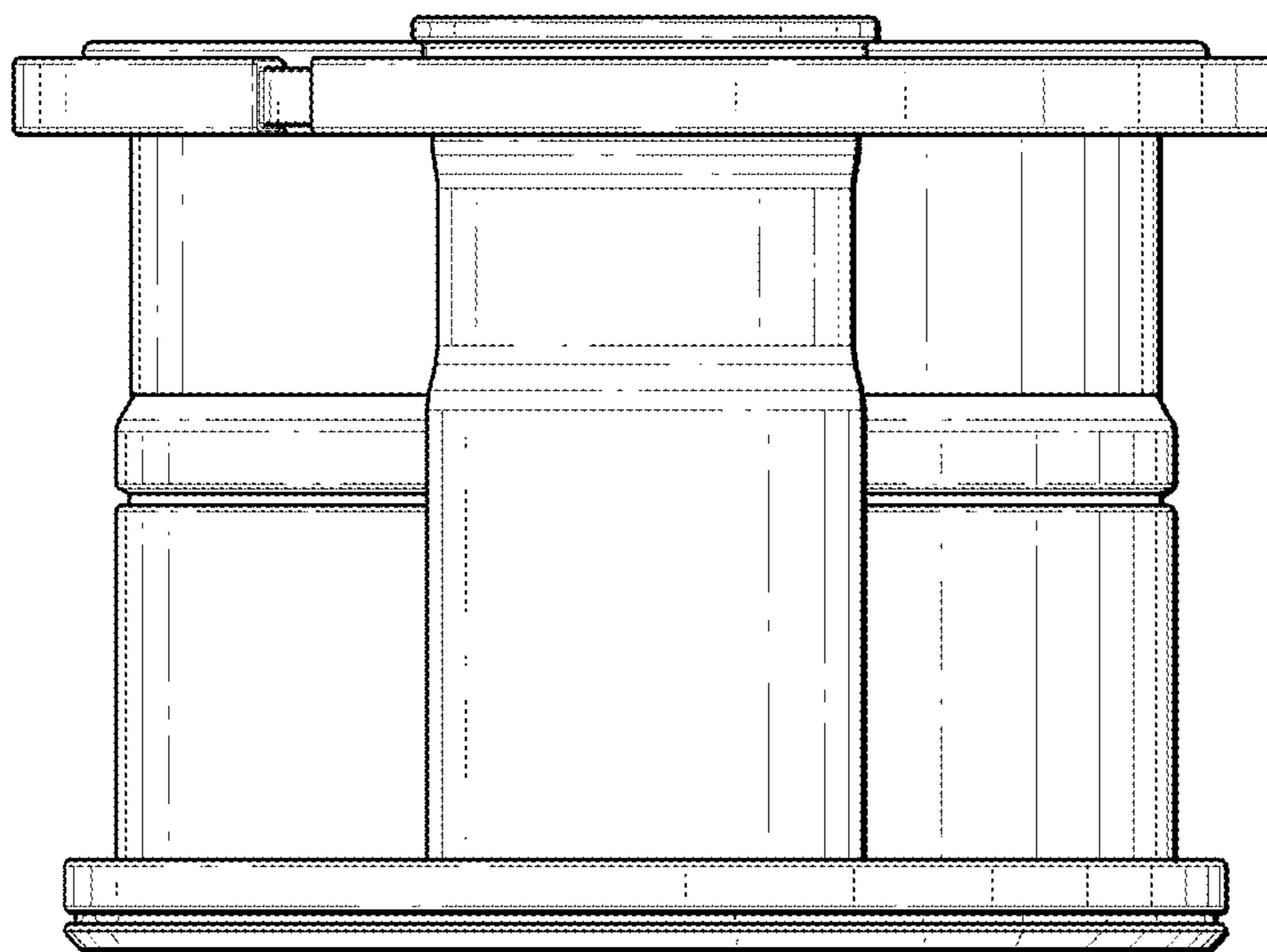


FIG. 6