



US00D690186S

(12) **United States Design Patent**
Coffin et al.

(10) **Patent No.:** **US D690,186 S**

(45) **Date of Patent:** **** Sep. 24, 2013**

(54) **HANDLE ASSEMBLY**

(76) Inventors: **David A. Coffin**, Murrieta, CA (US);
Douglas W. Wilson, San Dimas, CA
(US); **Megen M. Lee**, Brooklyn, NY
(US)

(**) Term: **14 Years**

(21) Appl. No.: **29/428,753**

(22) Filed: **Aug. 2, 2012**

(51) **LOC (9) Cl.** **08-06**

(52) **U.S. Cl.**
USPC **D8/314**

(58) **Field of Classification Search**
USPC D8/300-303, 305-312, DIG. 2, 314,
D8/319, 316, 313, 315, 317, 318; D7/402,
D7/405, 393; D6/518-524, 546-550; 74/553,
74/548, 558.5; 116/309, 315, 311, 312, 319,
116/320; 200/316, 336; 108/28, 29; 211/13.1,
211/16, 85.5, 86.01, 87.01, 88.04, 100, 105.1,
211/105.2, 106, 113, 123, 181.1, 182-183;
248/49, 175, 176.1, 200, 201, 205.1, 251,
248/302, 309.1, 315; 242/570, 590, 595-598;
16/413, 415, 419; 70/77, 85, 132; 292/74,
292/95, 109, 117, 119, 137, 246, 256, 300;
312/334.21, 348.6

See application file for complete search history.

(56) **References Cited**

U.S. PATENT DOCUMENTS

420,062 A 1/1890 Hart
D167,151 S * 7/1952 Koch D8/314
3,107,389 A 10/1963 Engelbrecht
3,214,077 A 10/1965 Schwartz
4,096,603 A 6/1978 Klaus
D253,031 S 10/1979 Gidseg
4,379,603 A 4/1983 Johnson et al.
D384,571 S 10/1997 Edwards

5,954,413 A 9/1999 Brown
6,164,098 A * 12/2000 Hommes 70/78
6,412,739 B1 7/2002 Smith
D493,687 S * 8/2004 Ayrest D8/314

(Continued)

FOREIGN PATENT DOCUMENTS

JP 4348002 3/2002

OTHER PUBLICATIONS

Patent Certificate for corresponding Australia Patent Registration
No. 347012; dated Feb. 18, 2013; 5 pages.

Patent Certificate for corresponding United Kingdom Patent Regis-
tration No. 4028139; dated Jan. 29, 2013; 9 pages.

Primary Examiner — Mark Goodwin

(74) *Attorney, Agent, or Firm* — Christie, Parker & Hale,
LLP

(57) **CLAIM**

We claim the ornamental design for a handle assembly, as
shown and described.

DESCRIPTION

FIG. 1 is a front perspective view of a handle assembly
showing our new design;

FIG. 2 is a rear perspective view of the handle assembly of
FIG. 1;

FIG. 3 is a front elevational view of the handle assembly of
FIG. 1;

FIG. 4 is a rear elevational view of the handle assembly of
FIG. 1;

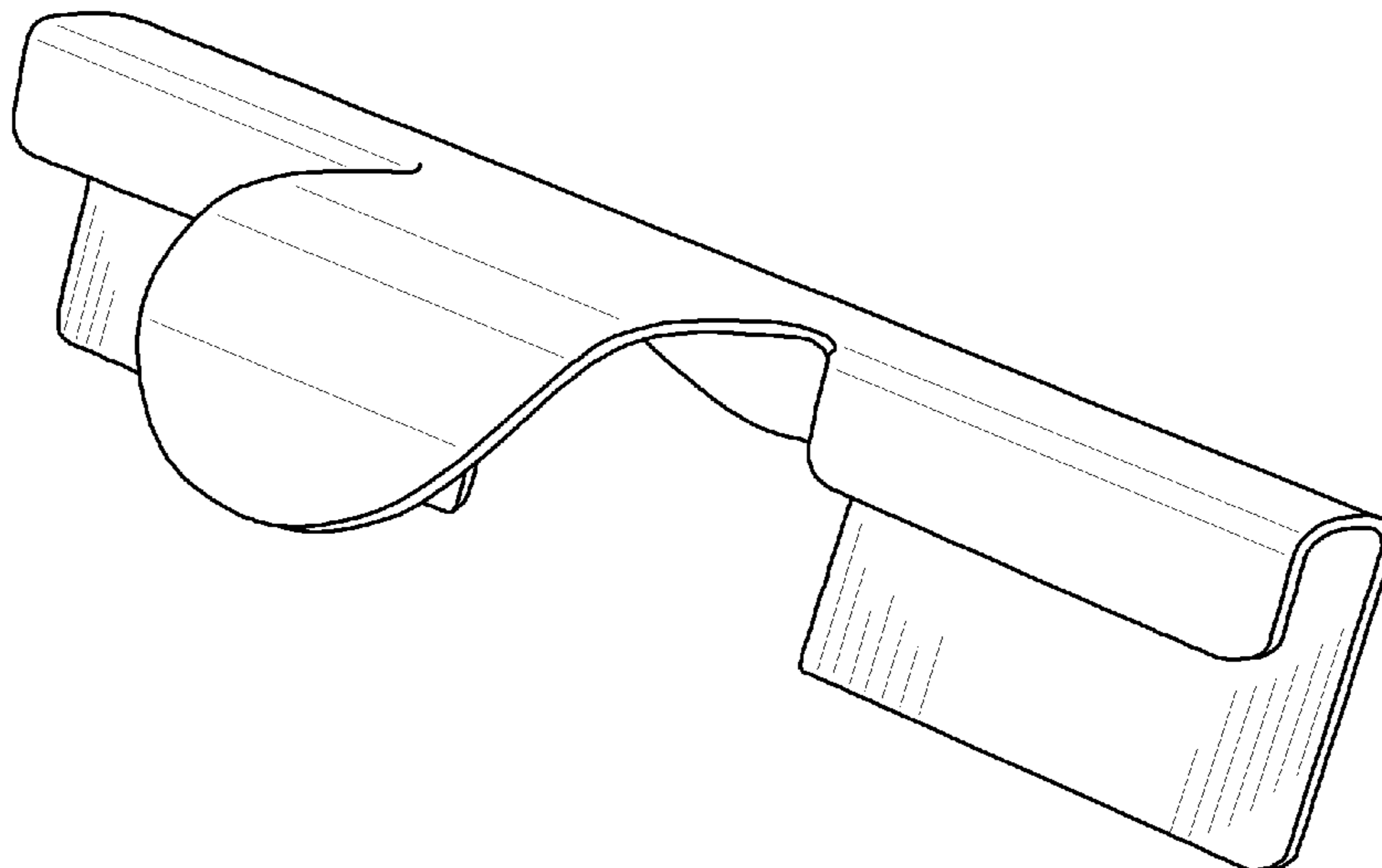
FIG. 5 is a top plan view of the handle assembly of FIG. 1;

FIG. 6 is a bottom plan view of the handle assembly of FIG.
1;

FIG. 7 is a right side elevational view of the handle assembly
of FIG. 1; and,

FIG. 8 is a left side elevational view of the handle assembly of
FIG. 1.

1 Claim, 4 Drawing Sheets



US D690,186 S

Page 2

(56)

References Cited

U.S. PATENT DOCUMENTS

7,040,726 B2 5/2006 Steffee
D580,254 S 11/2008 Miska
D595,560 S 7/2009 Miska

D620,779 S * 8/2010 Kunnath et al. D8/314
2004/0232811 A1 * 11/2004 Steffee 312/348.6
2004/0261226 A1 * 12/2004 Moody 16/413
2010/0146738 A1 6/2010 Kunnath et al.

* cited by examiner

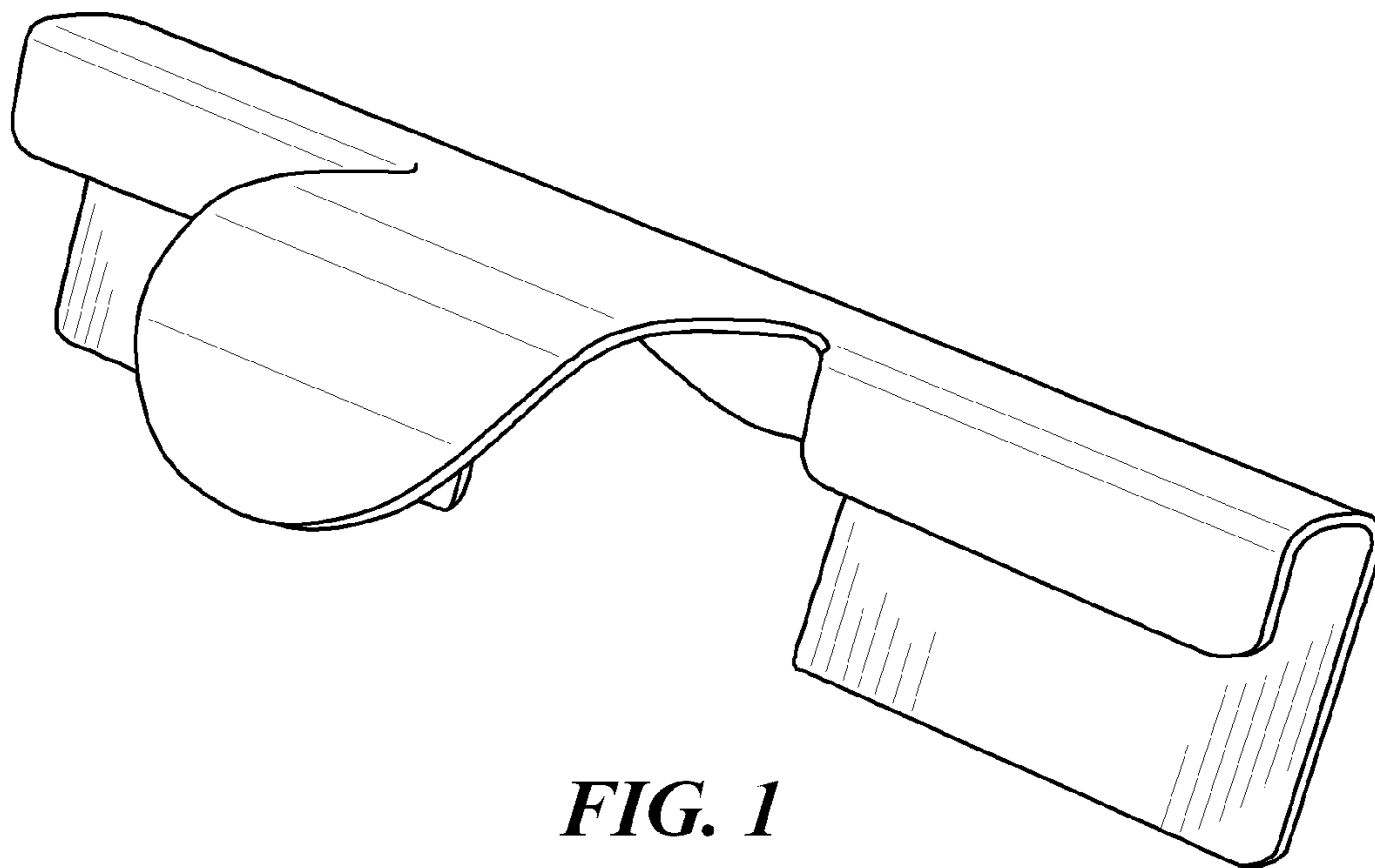


FIG. 1

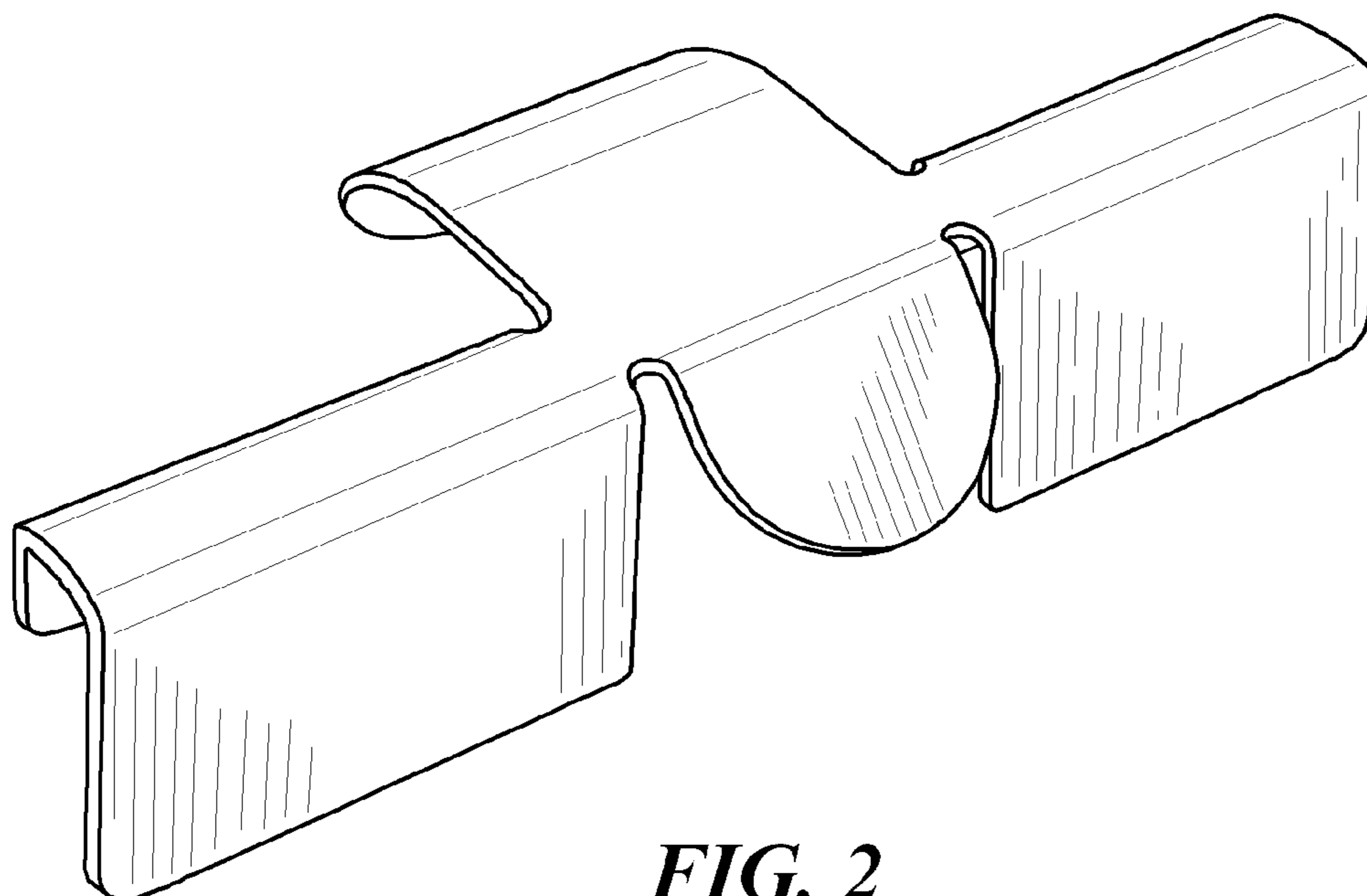


FIG. 2

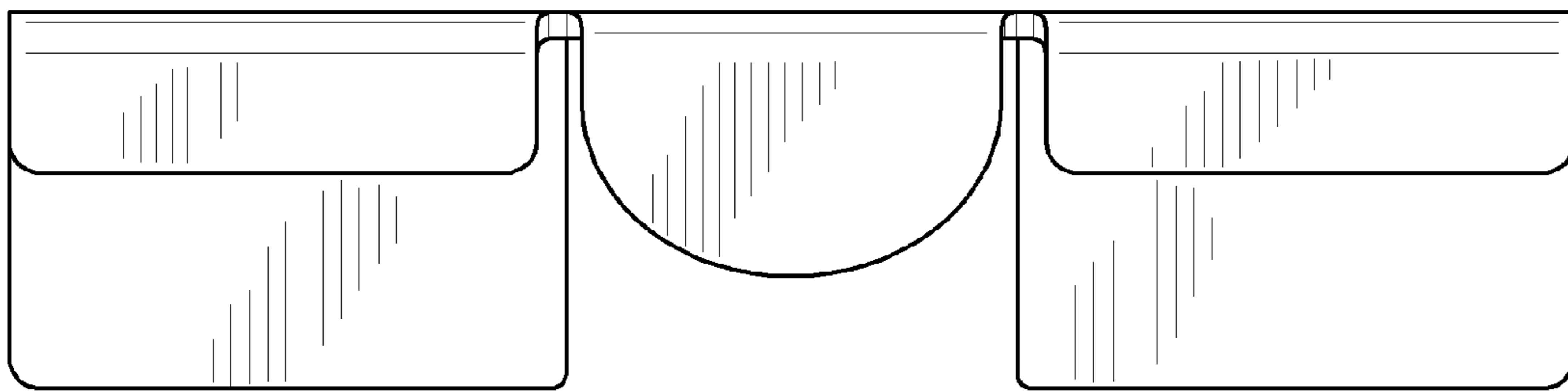


FIG. 3

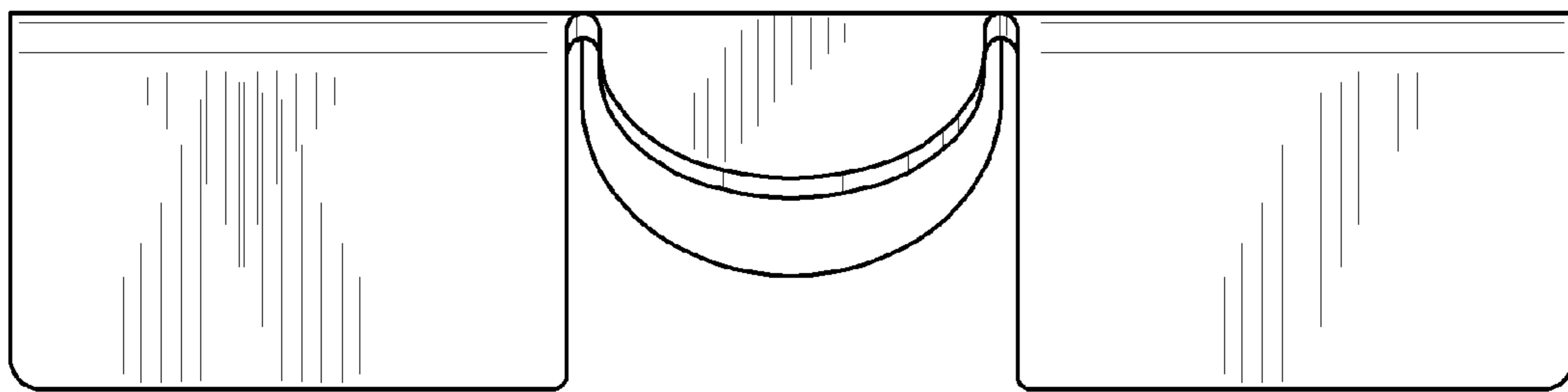


FIG. 4

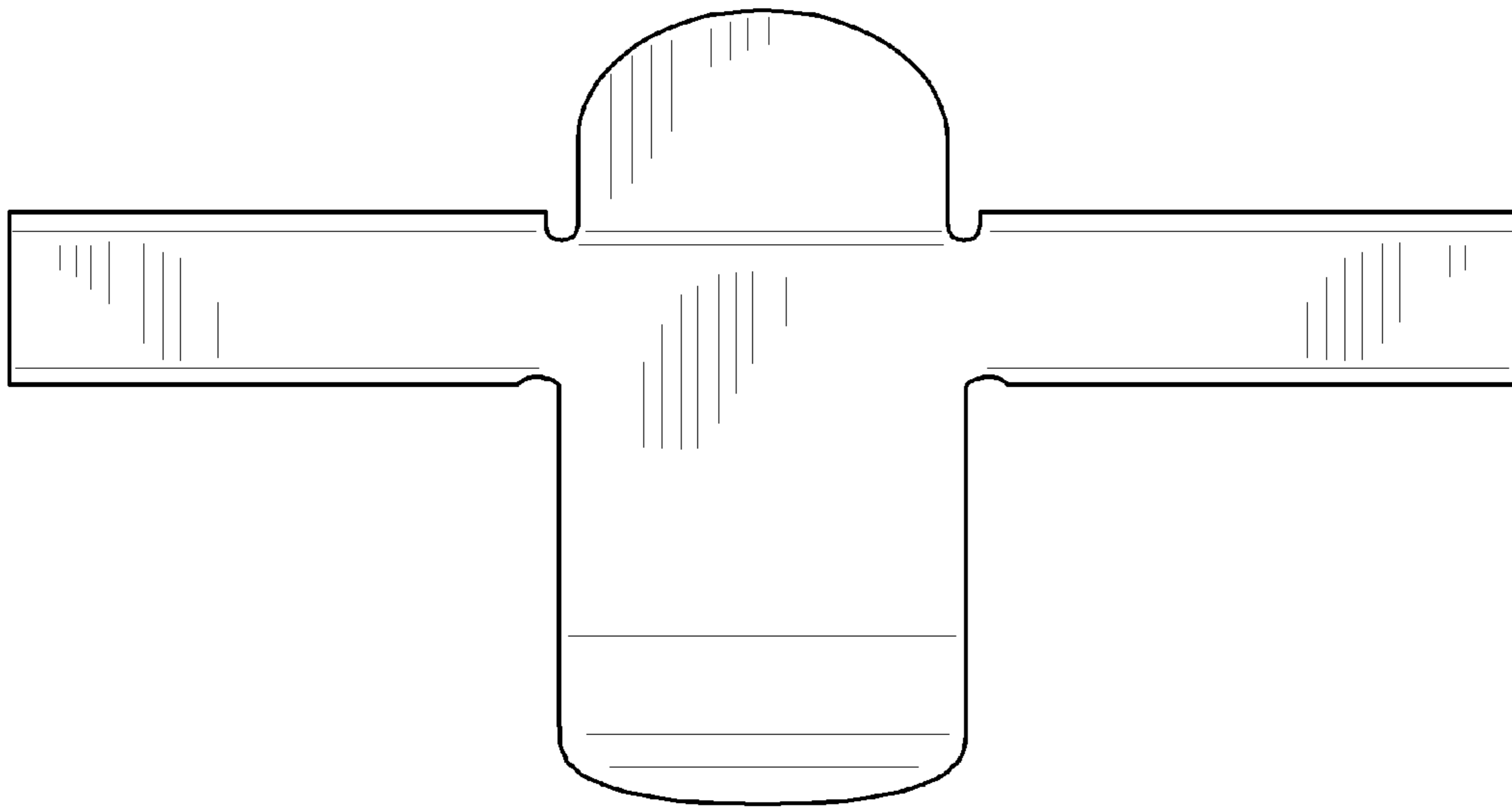


FIG. 5

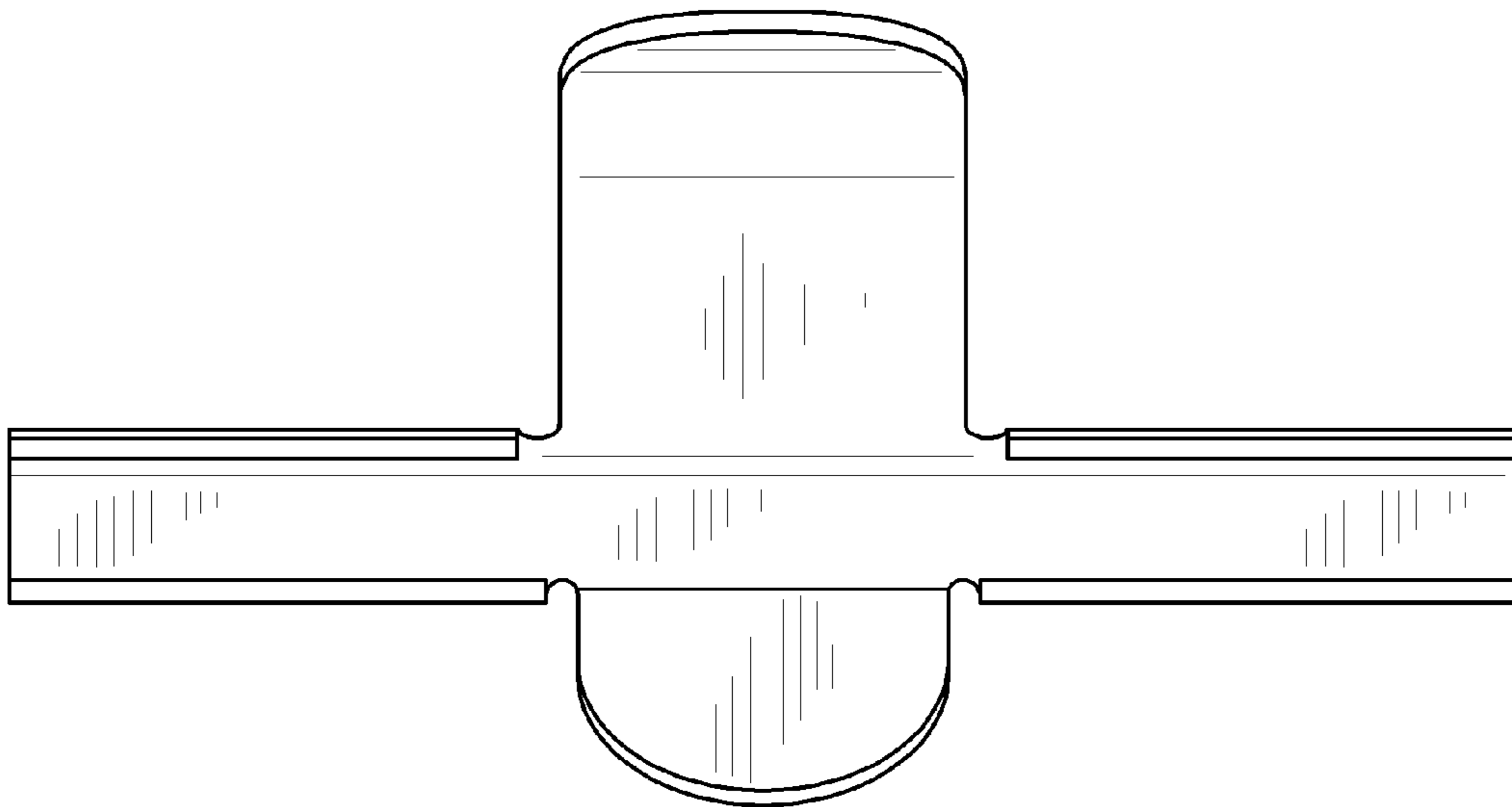


FIG. 6

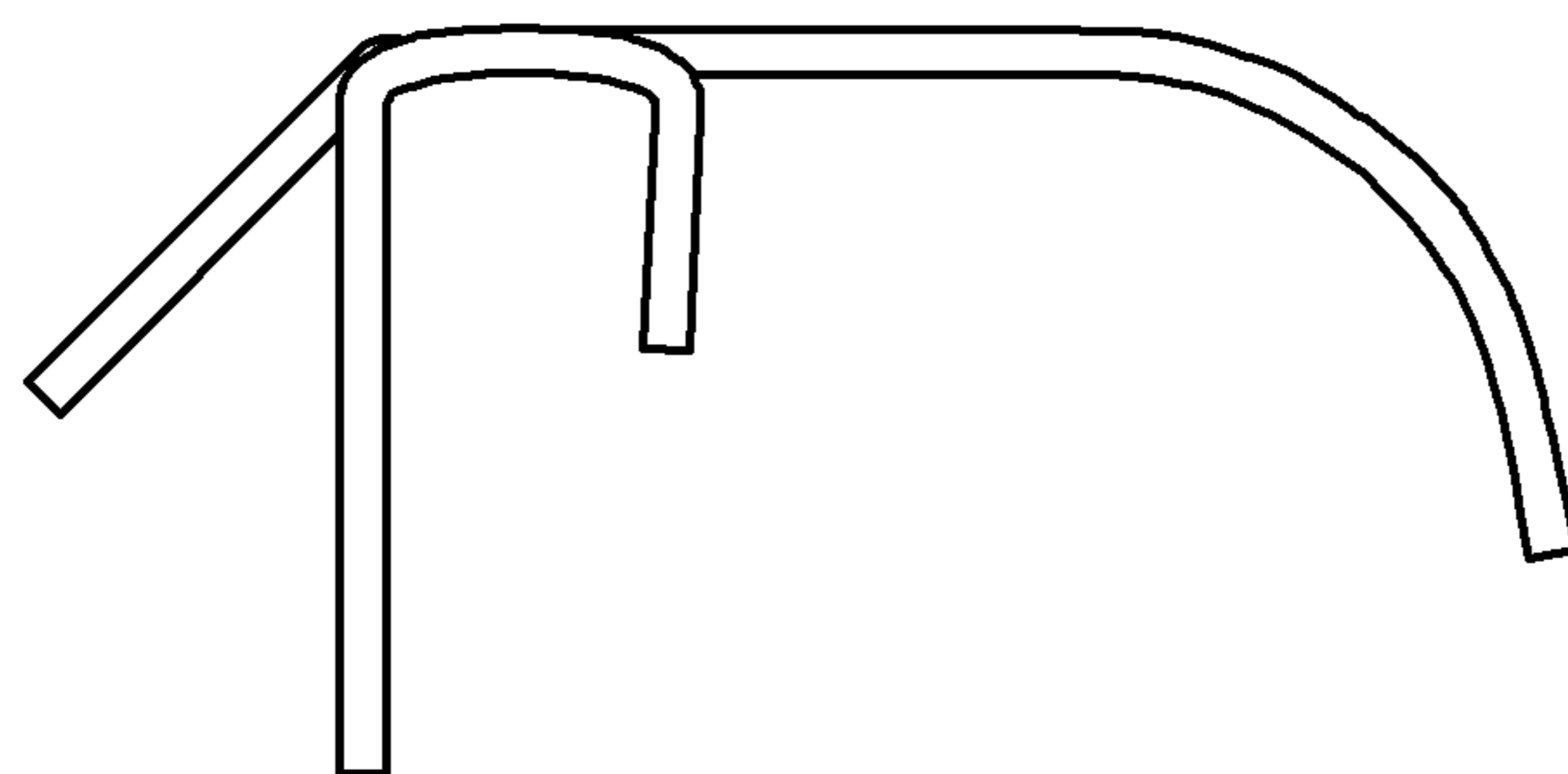


FIG. 7

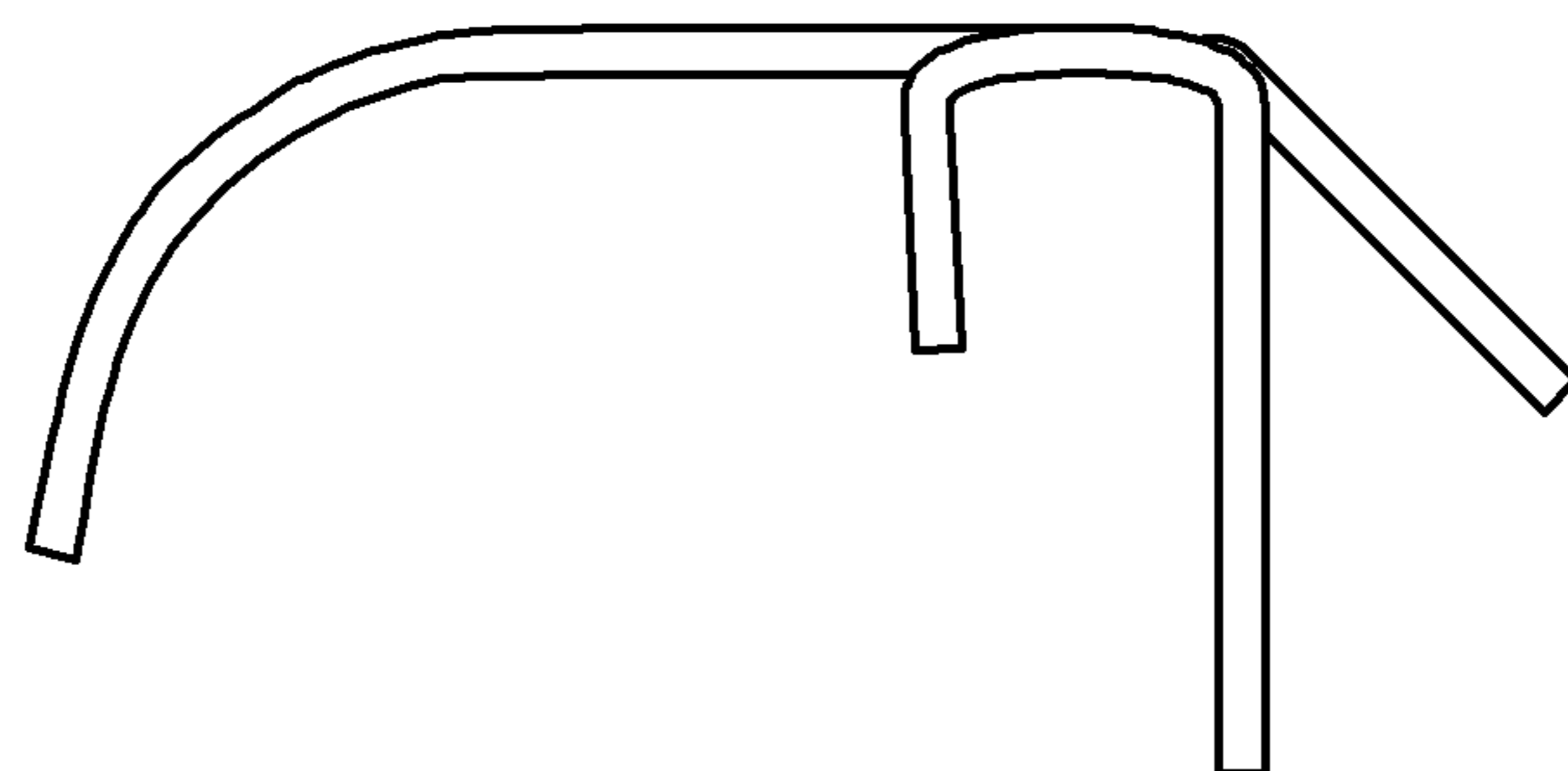


FIG. 8