

US00D690184S

(12) **United States Design Patent**
Chen

(10) **Patent No.:** **US D690,184 S**

(45) **Date of Patent:** **** Sep. 24, 2013**

(54) **TOOL HANDLE**

(75) Inventor: **Jie-Long Chen**, Taichung (TW)

(73) Assignee: **Hsiu-Hua Chang**, Taichung (TW)

(**) Term: **14 Years**

(21) Appl. No.: **29/429,475**

(22) Filed: **Aug. 10, 2012**

(51) **LOC (9) Cl.** **08-07**

(52) **U.S. Cl.**
USPC **D8/107**

(58) **Field of Classification Search**
USPC D8/107, 303, 19, 20, 41, 47, 75,
D8/80, 83, 90, 92, 93, DIG. 7; D7/395, 401.2;
81/177.1; 16/110.1, 430, 431, 421, 422
See application file for complete search history.

(56) **References Cited**

U.S. PATENT DOCUMENTS

1,532,822	A	*	4/1925	Kemp	30/340
D324,473	S	*	3/1992	Chen	D8/80
D383,049	S	*	9/1997	Concari et al.	D8/107
D387,649	S	*	12/1997	Concari et al.	D8/107
D414,095	S	*	9/1999	Hoepfl et al.	D8/83
D429,990	S	*	8/2000	Kunkler	D8/303
D460,676	S	*	7/2002	Lin	D8/83
D462,003	S	*	8/2002	Juhlin	D8/107
D481,290	S	*	10/2003	Thompson et al.	D8/107

D481,292	S	*	10/2003	Chen	D8/107
D482,259	S	*	11/2003	Chen	D8/107
D494,039	S	*	8/2004	Tsai	D8/107
D494,444	S	*	8/2004	Hung	D8/107
D495,198	S	*	8/2004	Gonzalez	D7/395
D525,511	S	*	7/2006	Hung	D8/107
D526,185	S	*	8/2006	Hung	D8/107
D531,875	S	*	11/2006	Chen	D8/80
D564,329	S	*	3/2008	Hsieh	D8/107
D648,202	S	*	11/2011	Chen	D8/80
D654,774	S	*	2/2012	Mullen et al.	D8/107
D656,809	S	*	4/2012	Mullen et al.	D8/107
D661,569	S	*	6/2012	Chen	D8/107

* cited by examiner

Primary Examiner — Paula Greene

(57) **CLAIM**

I claim the ornamental design for a tool handle, as shown and described.

DESCRIPTION

FIG. 1 is a perspective view of a tool handle, showing my new design;

FIG. 2 is a front elevational view thereof;

FIG. 3 is a rear elevational view thereof;

FIG. 4 is a left side elevational view thereof;

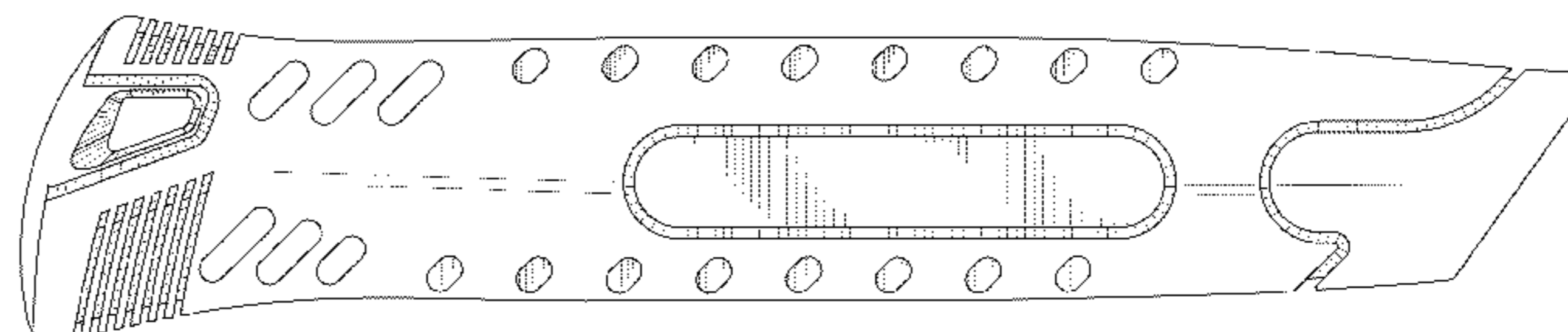
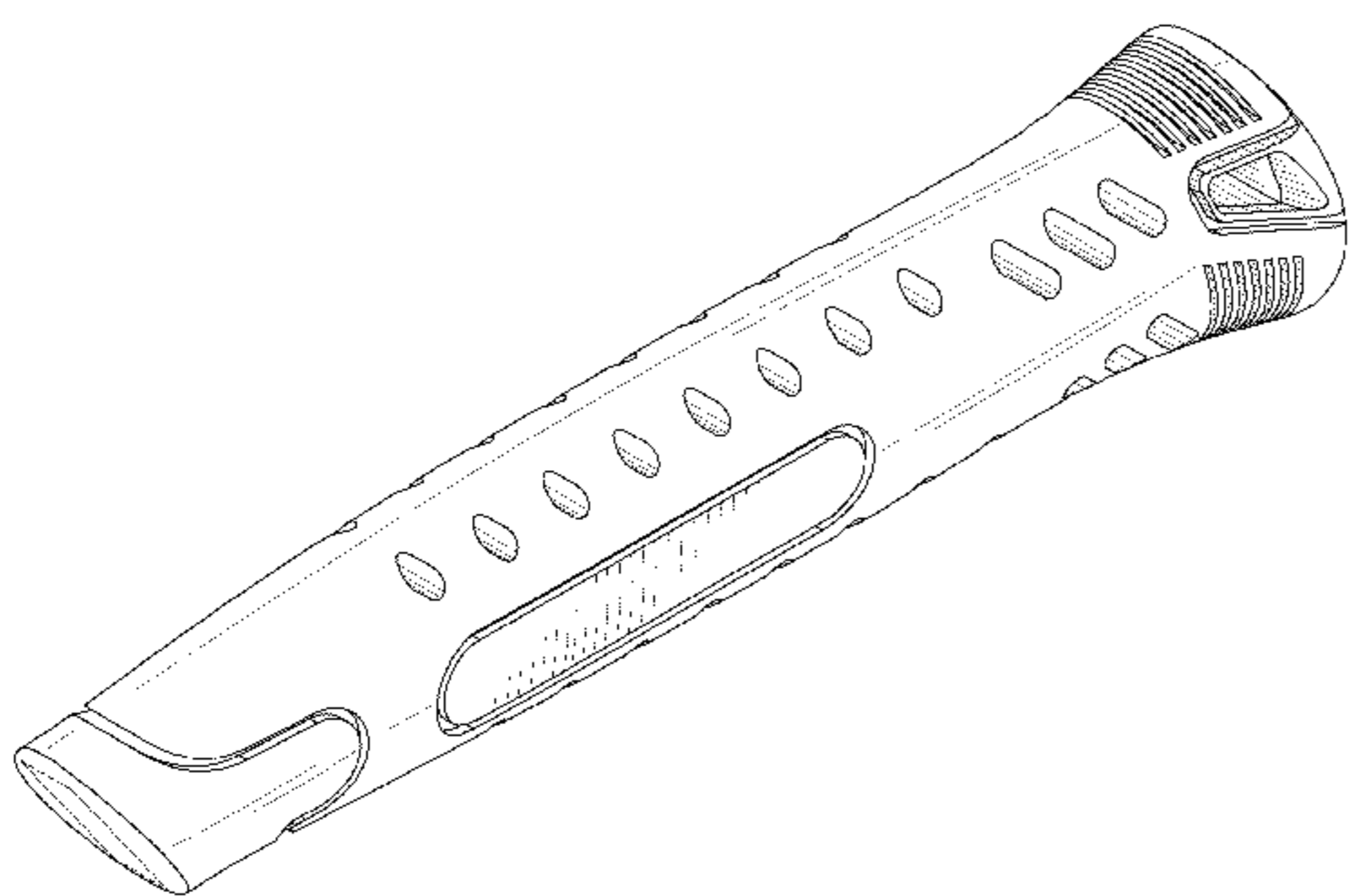
FIG. 5 is a right side elevational view thereof;

FIG. 6 is a top plan view thereof; and,

FIG. 7 is a bottom plan view thereof.

The broken lines form no part of the claimed design.

1 Claim, 6 Drawing Sheets



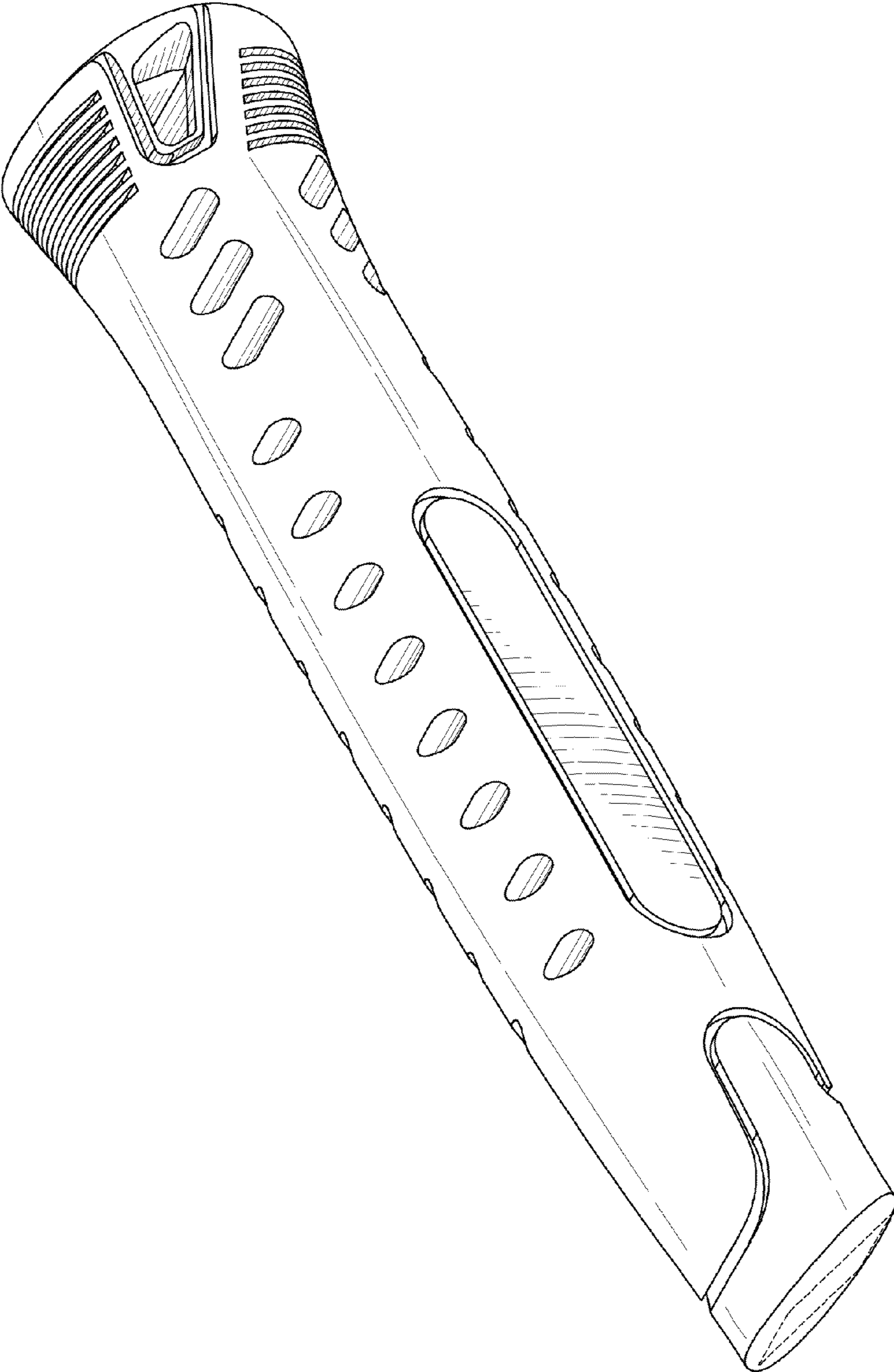


FIG. 1

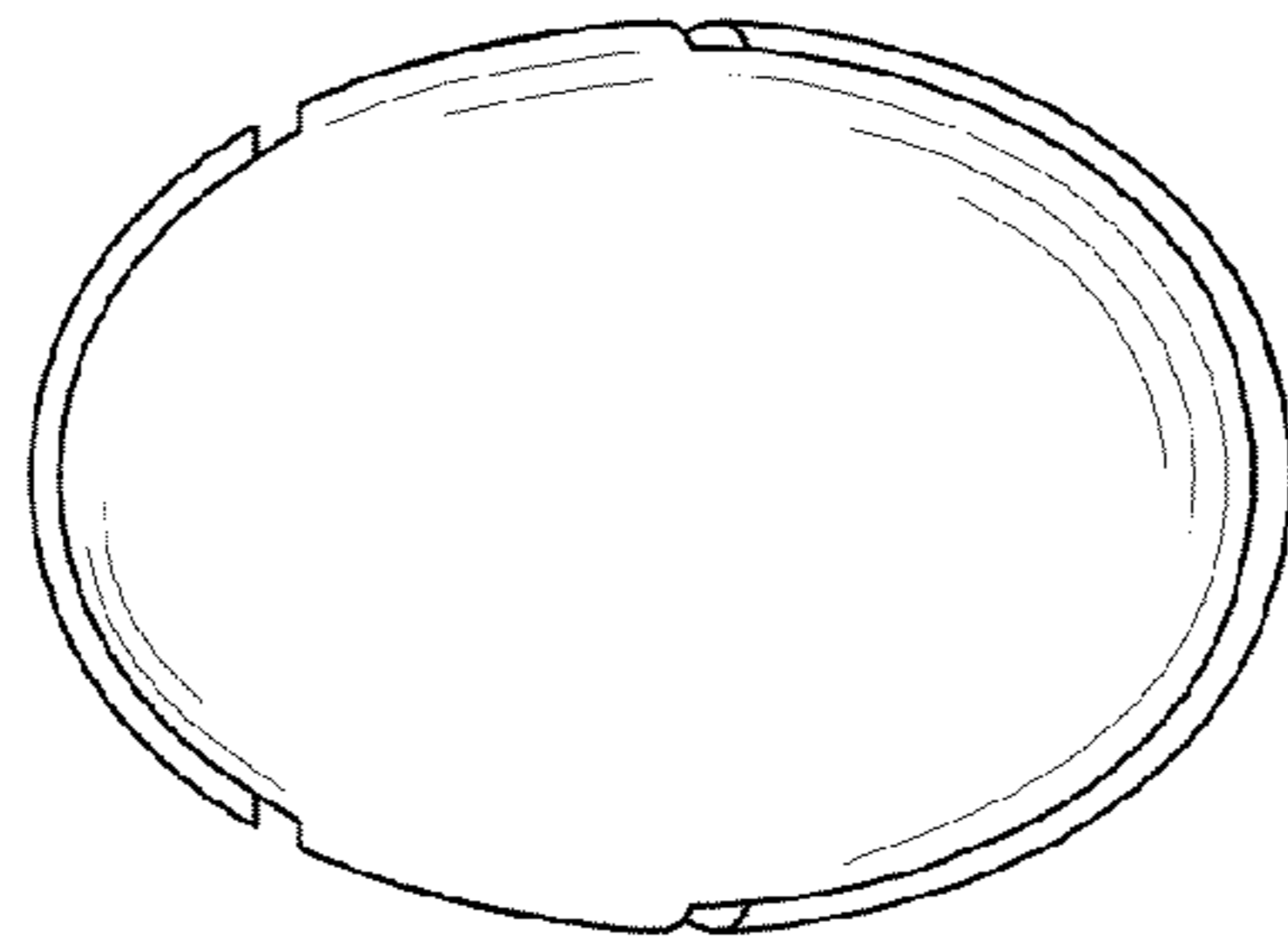


FIG. 3

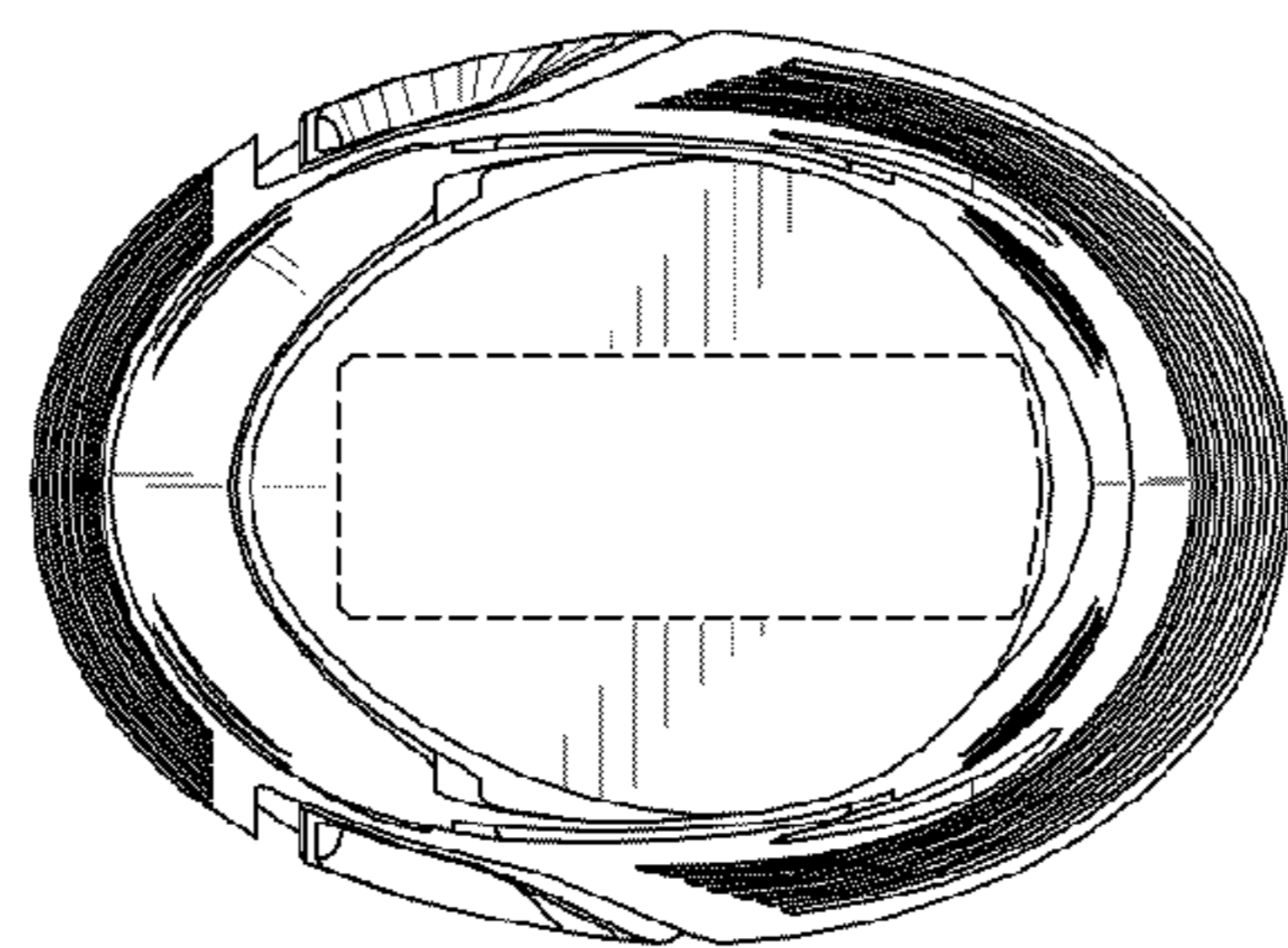
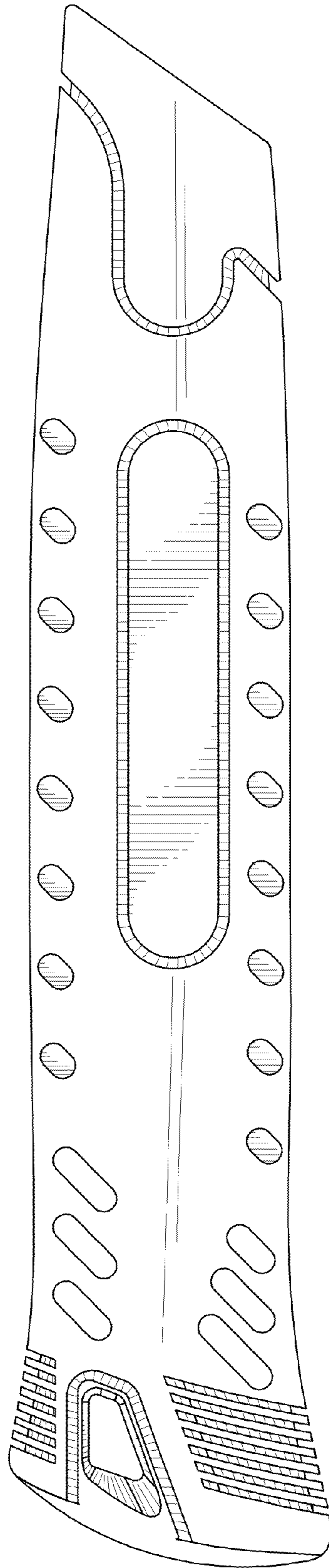


FIG. 2



FUG. 4

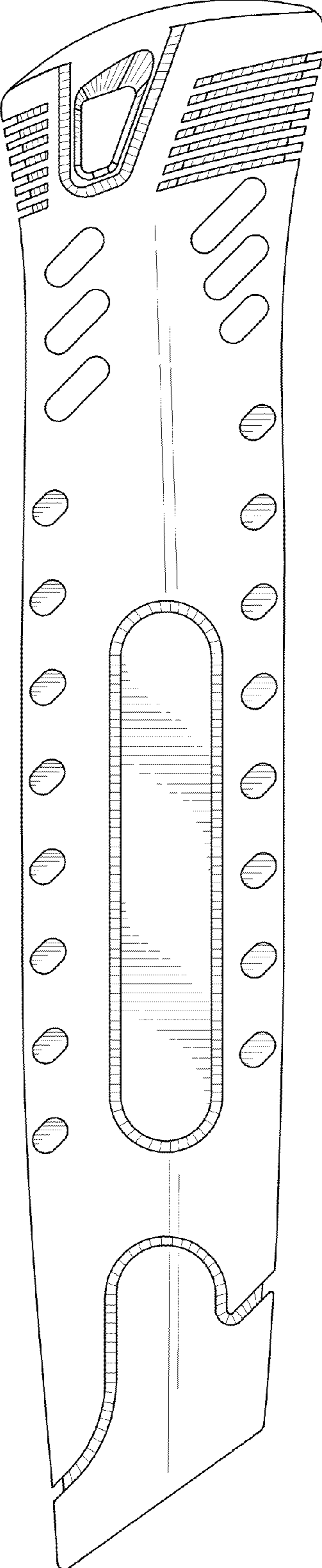


FIG. 5

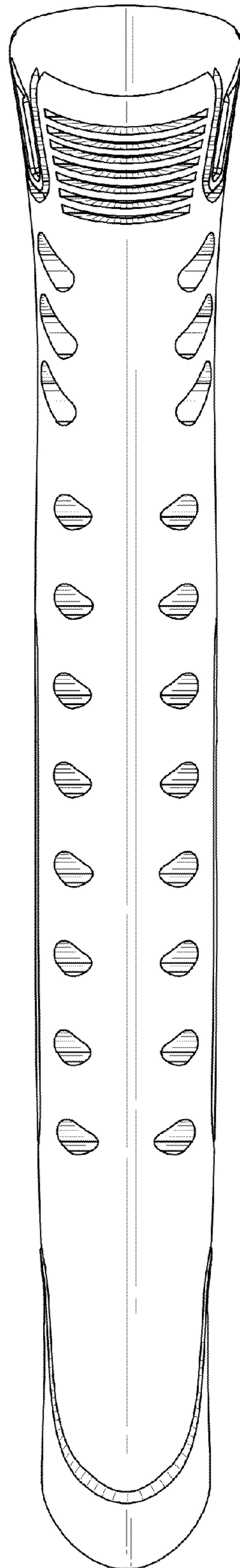


FIG. 6

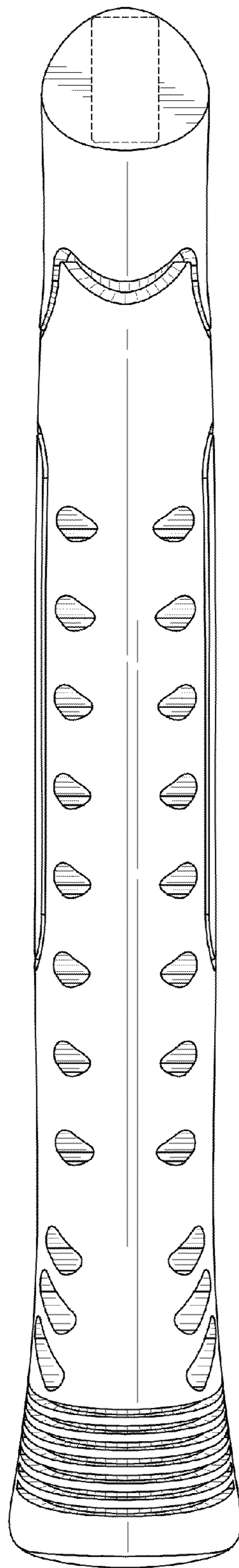


FIG. 7