



US00D690183S

(12) **United States Design Patent**
Lee

(10) **Patent No.:** **US D690,183 S**

(45) **Date of Patent:** **** Sep. 24, 2013**

(54) **ERGONOMIC TOOL HANDLE**

(76) Inventor: **Sung K. Lee**, Glenview, IL (US)

(**) Term: **14 Years**

(21) Appl. No.: **29/424,992**

(22) Filed: **Jun. 19, 2012**

(51) **LOC (9) Cl.** **08-06**

(52) **U.S. Cl.**
USPC **D8/107**

(58) **Field of Classification Search**

USPC D8/107, 300, 303; 15/143.1, 145;
16/422, 901, 110.1, 430, 421, 426, 431, 427,
16/DIG. 41; D2/641; 223/111; D32/52;
294/58; 142/49; 172/381

See application file for complete search history.

(56) **References Cited**

U.S. PATENT DOCUMENTS

2,197,279	A *	4/1940	Thorssen	135/71
2,482,589	A *	9/1949	Maguire	294/219
2,516,852	A *	8/1950	Burry et al.	135/71
2,817,348	A *	12/1957	Holliday, Jr.	135/71
3,738,674	A *	6/1973	Pauls	280/816
4,238,061	A *	12/1980	Marchetti et al.	223/111
4,888,846	A *	12/1989	Natale	15/236.01
4,924,924	A *	5/1990	Stewart	142/49
5,060,343	A *	10/1991	Nisenbaum	16/421
D321,427	S *	11/1991	Barrick	D2/641
5,156,429	A *	10/1992	Adams	294/25
5,331,989	A *	7/1994	Stephens	135/65
5,529,357	A *	6/1996	Hoffman	294/58
5,890,259	A *	4/1999	Sarac	16/422

6,082,795	A *	7/2000	Fornelli	294/58
6,698,064	B1 *	3/2004	Graj et al.	16/430
7,093,667	B2 *	8/2006	Hurt	172/381
7,637,882	B2 *	12/2009	Carman et al.	602/21
D668,128	S *	10/2012	Masalin et al.	D8/107

* cited by examiner

Primary Examiner — Paula Greene

(74) *Attorney, Agent, or Firm* — Bishop & Diehl, Ltd.

(57) **CLAIM**

The ornamental design for the ergonomic tool handle, as shown and described.

DESCRIPTION

FIG. 1 is a perspective view of the ergonomic tool handle showing the new design;

FIG. 2 is a rear side elevational view of the ergonomic tool handle.

FIG. 3 is a front side elevational view of the ergonomic tool handle.

FIG. 4 is a top plan view of the ergonomic tool handle.

FIG. 5 is a bottom plan view of the ergonomic tool handle.

FIG. 6 is a right side elevational view of the ergonomic tool handle.

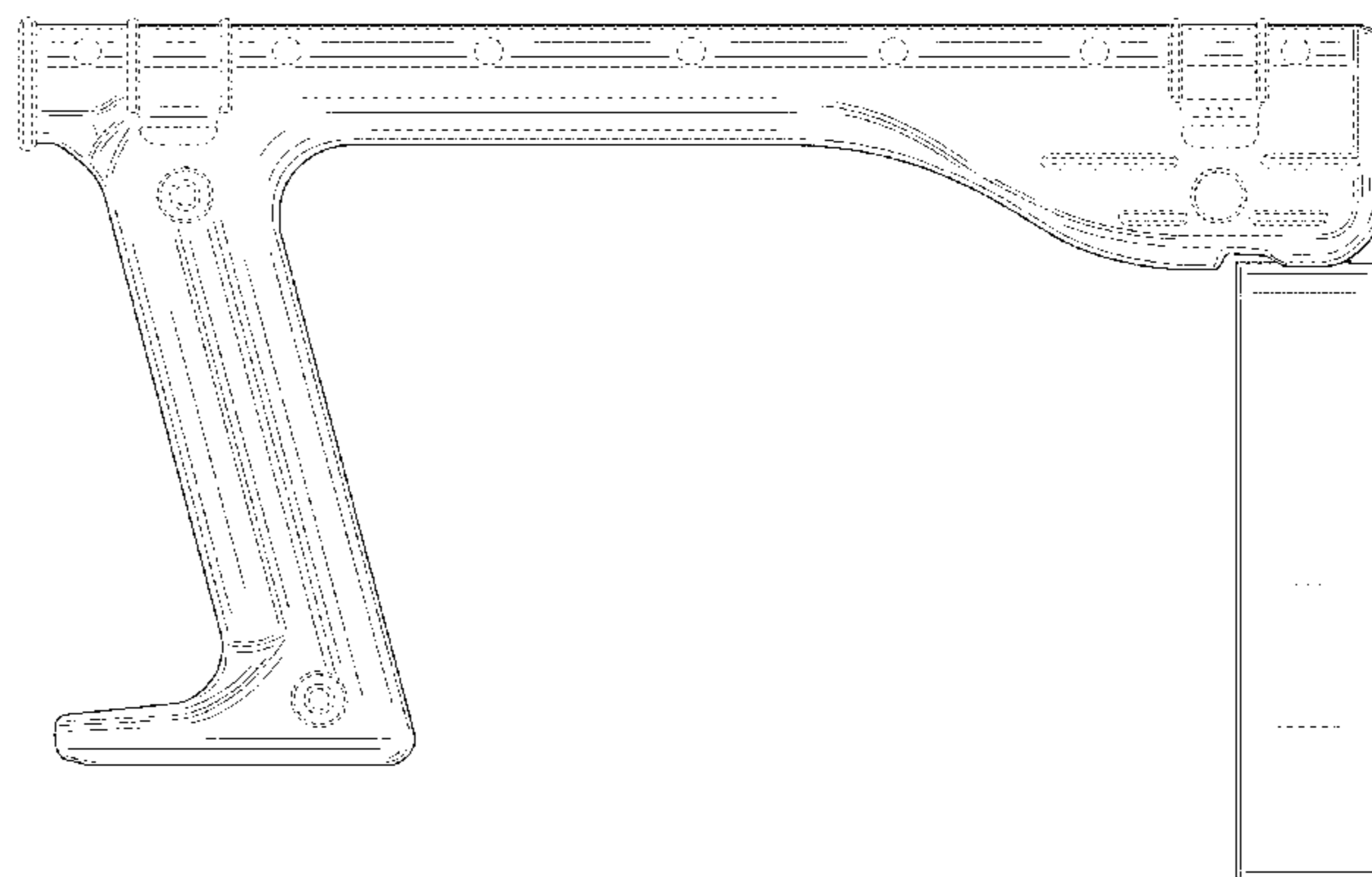
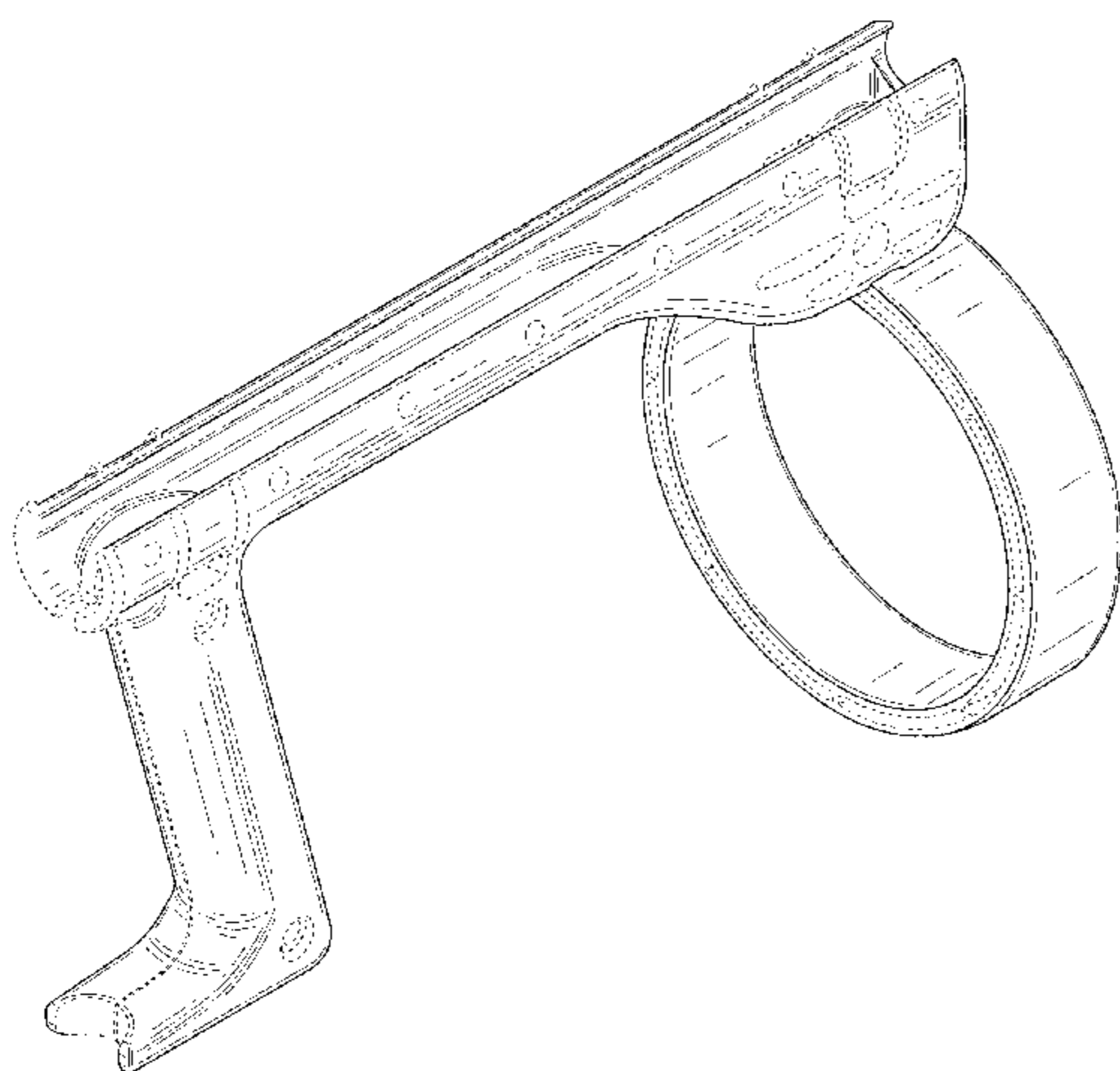
FIG. 7 is a left side elevational view of the ergonomic tool handle.

FIG. 8 is an alternate perspective view, showing the ergonomic tool handle in a different configuration than from that shown in FIG. 1; and,

FIG. 9 is another alternate perspective view, showing the ergonomic tool handle in a different configuration than from that shown in FIG. 1.

The broken lines form no part of the claimed design.

1 Claim, 9 Drawing Sheets



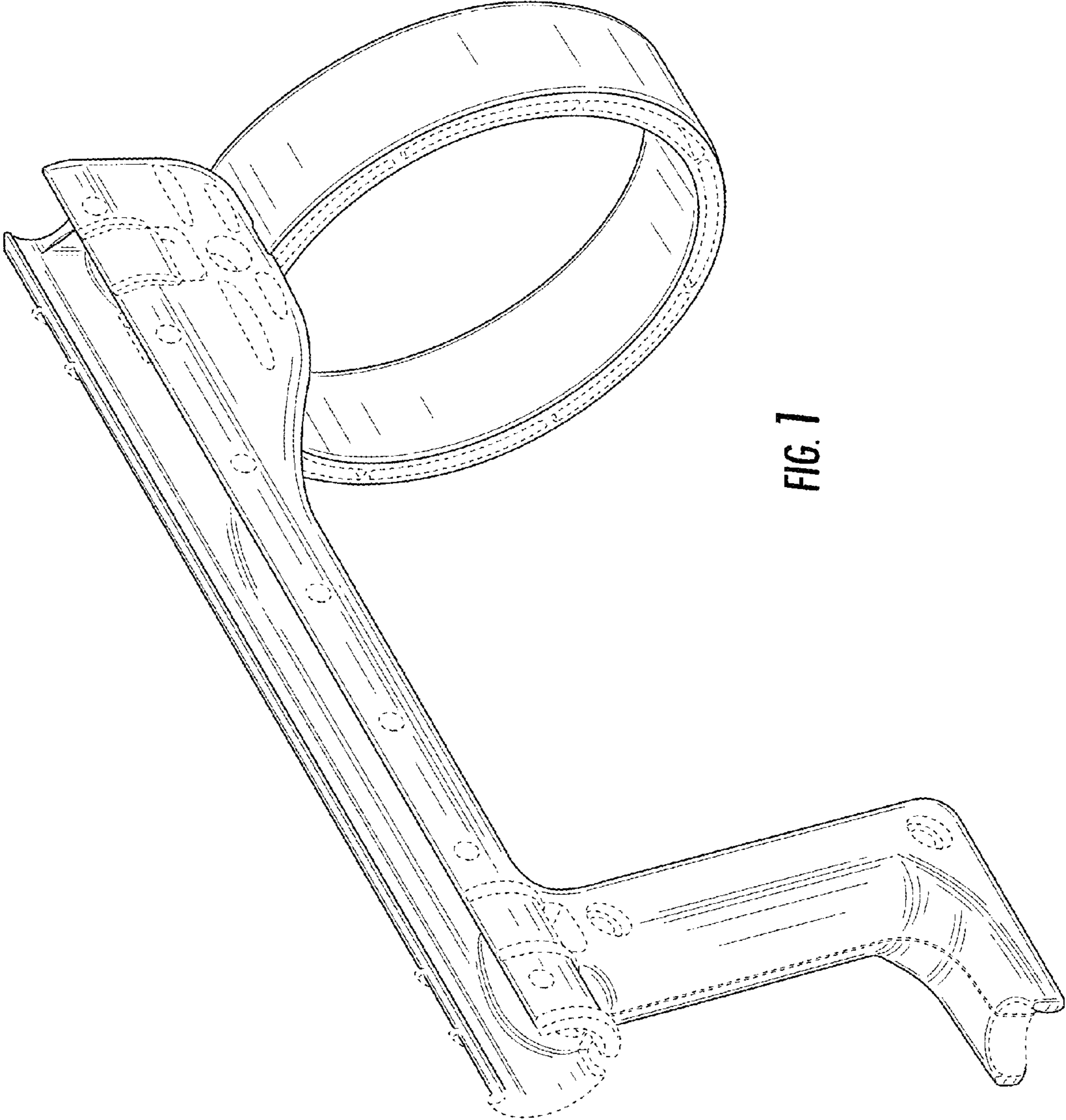


FIG. 1

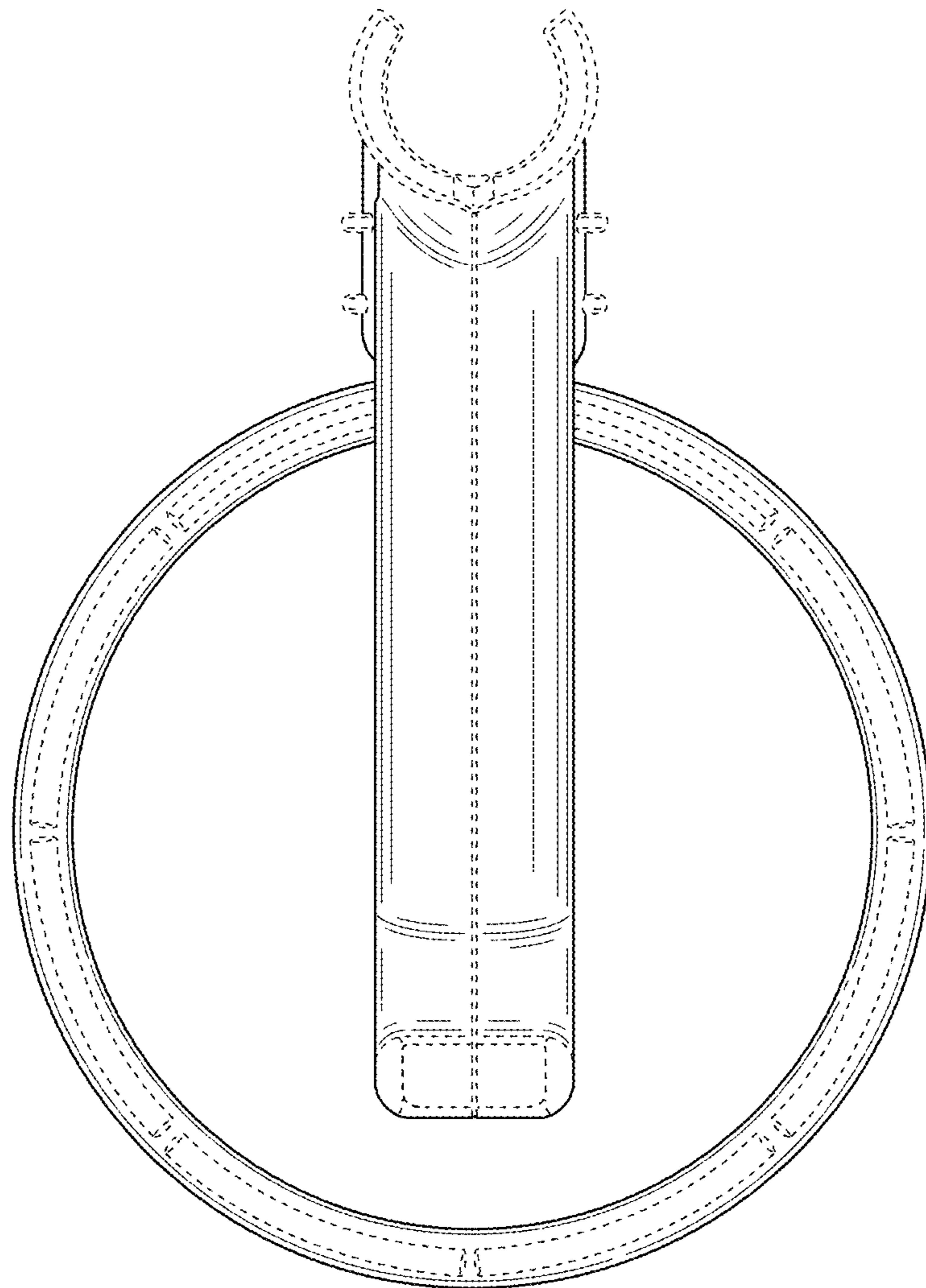


FIG. 2

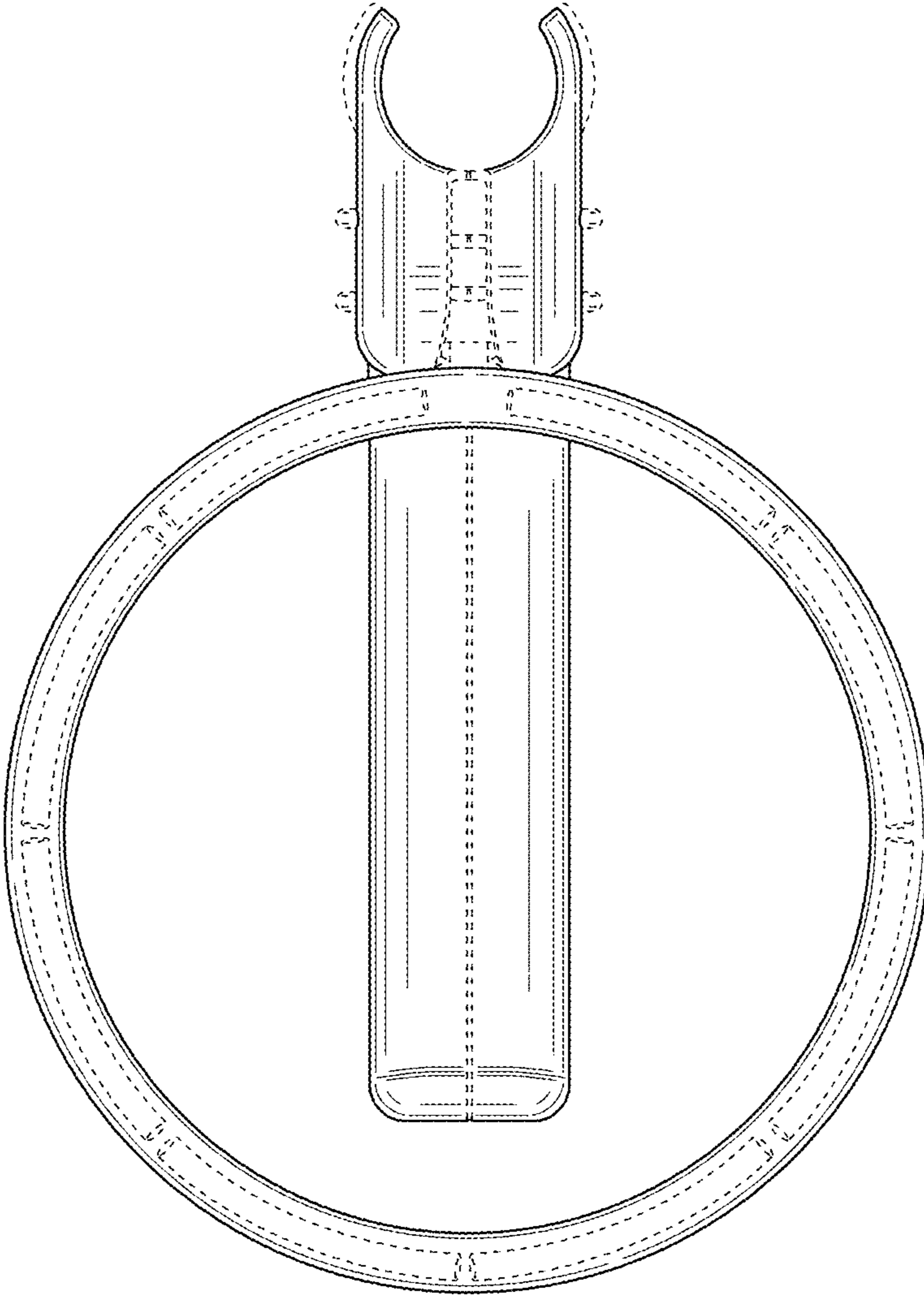


FIG. 3

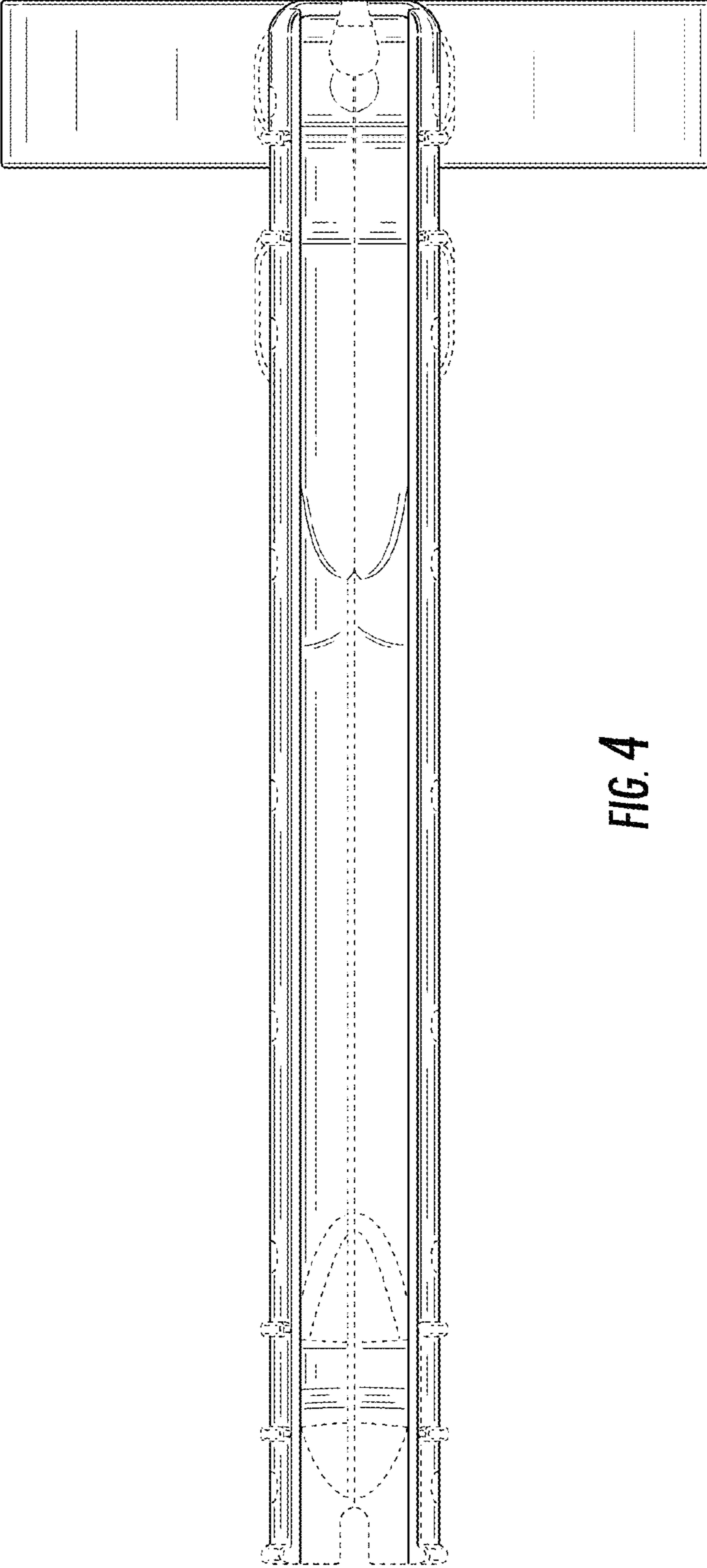


FIG. 4

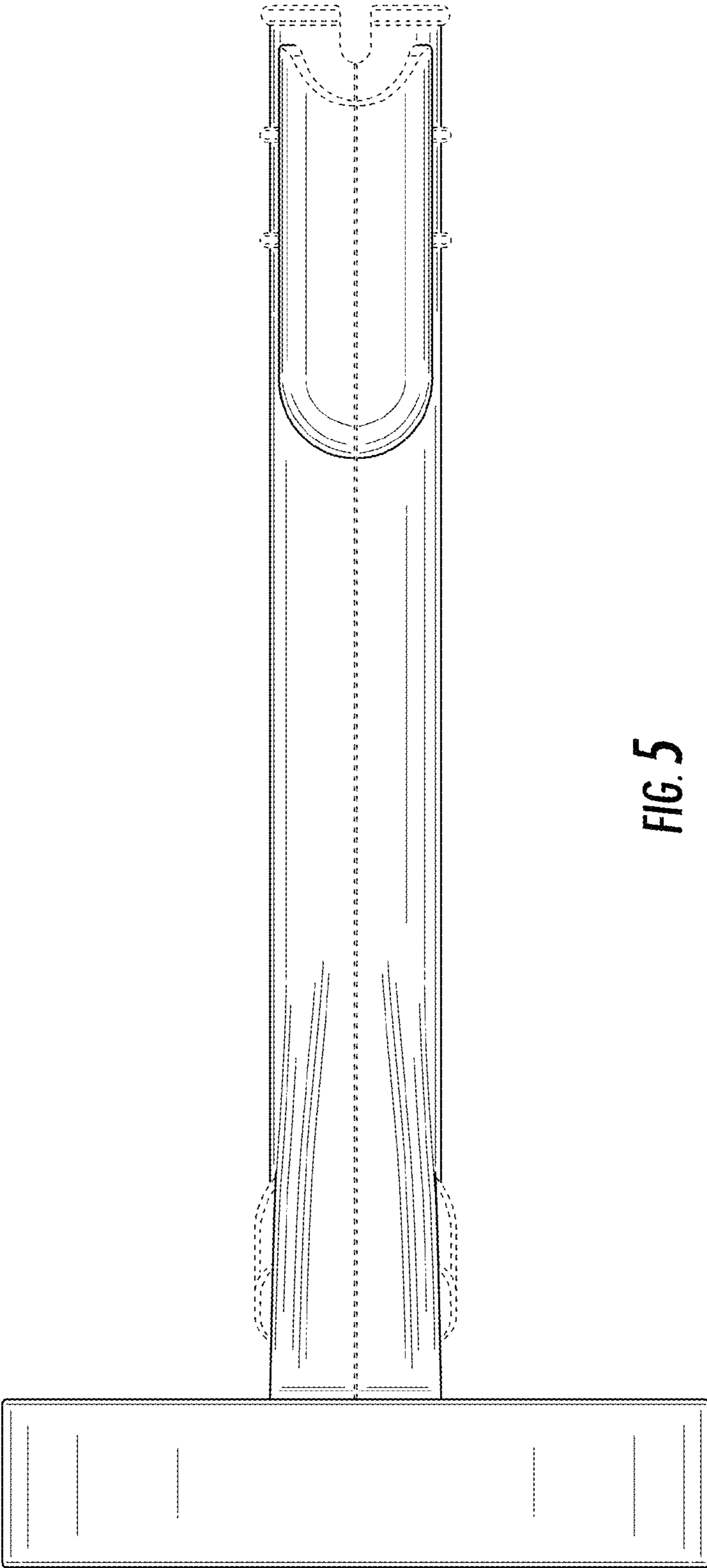


FIG. 5

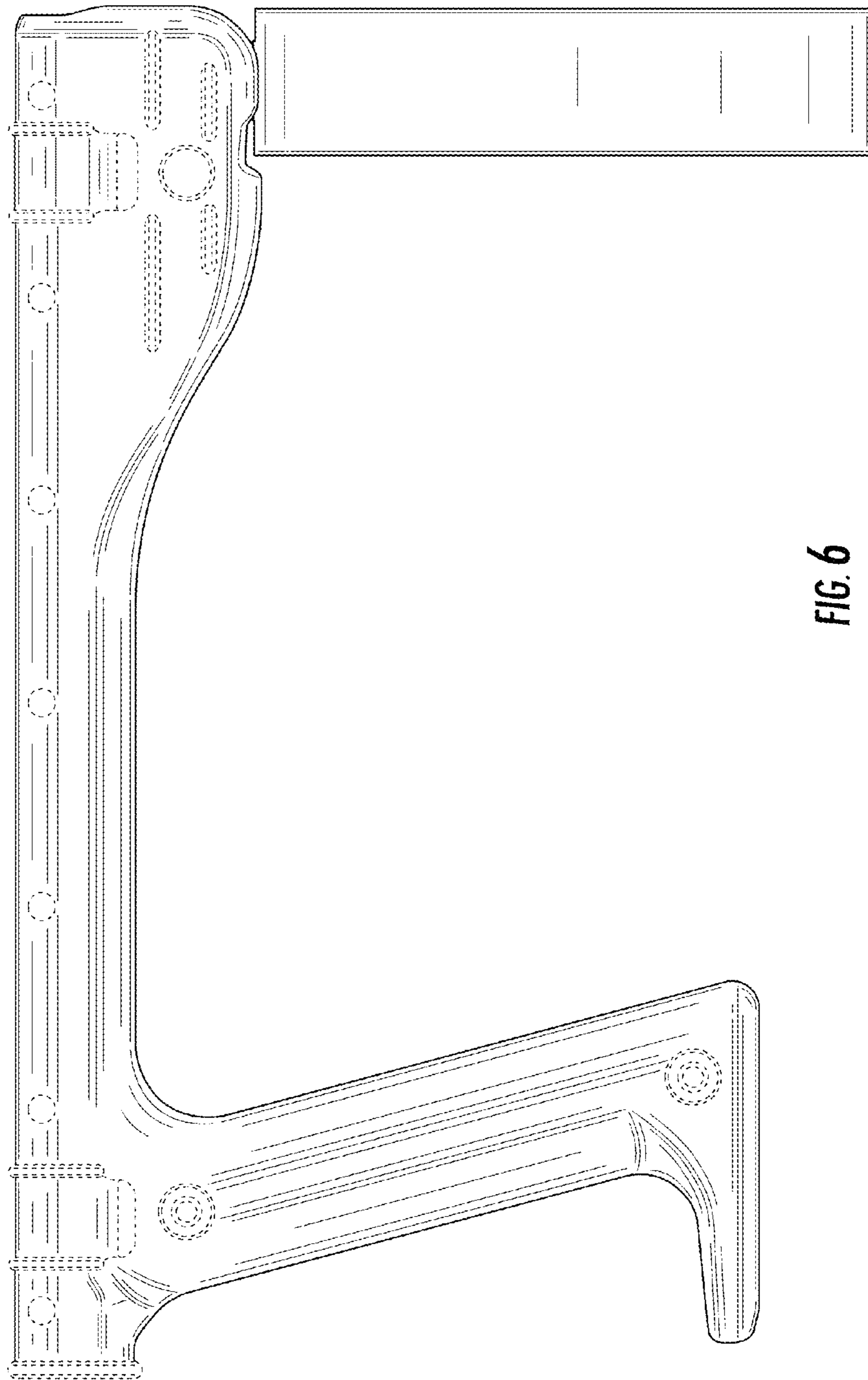


FIG. 6

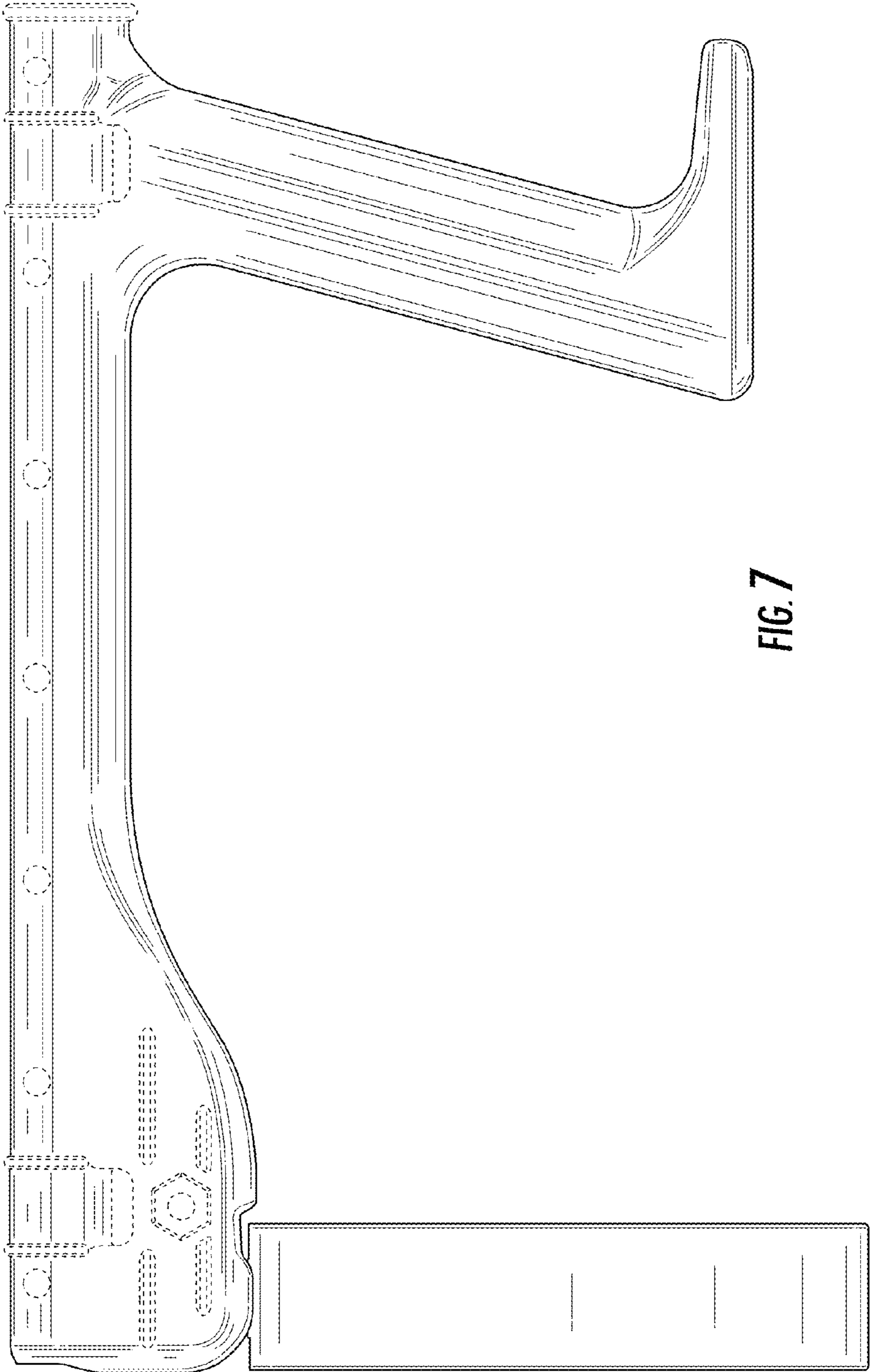


FIG. 7

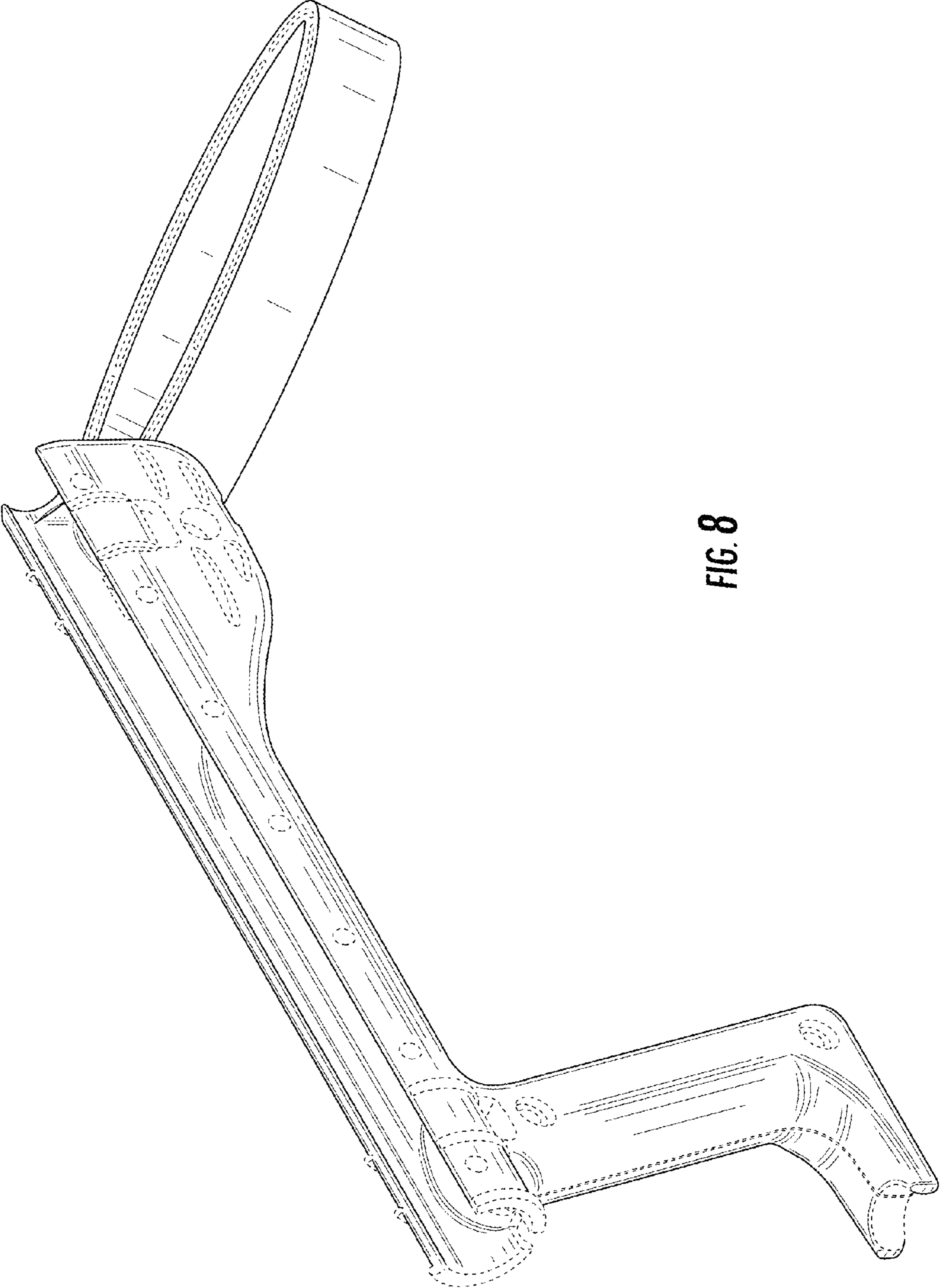


FIG. 8

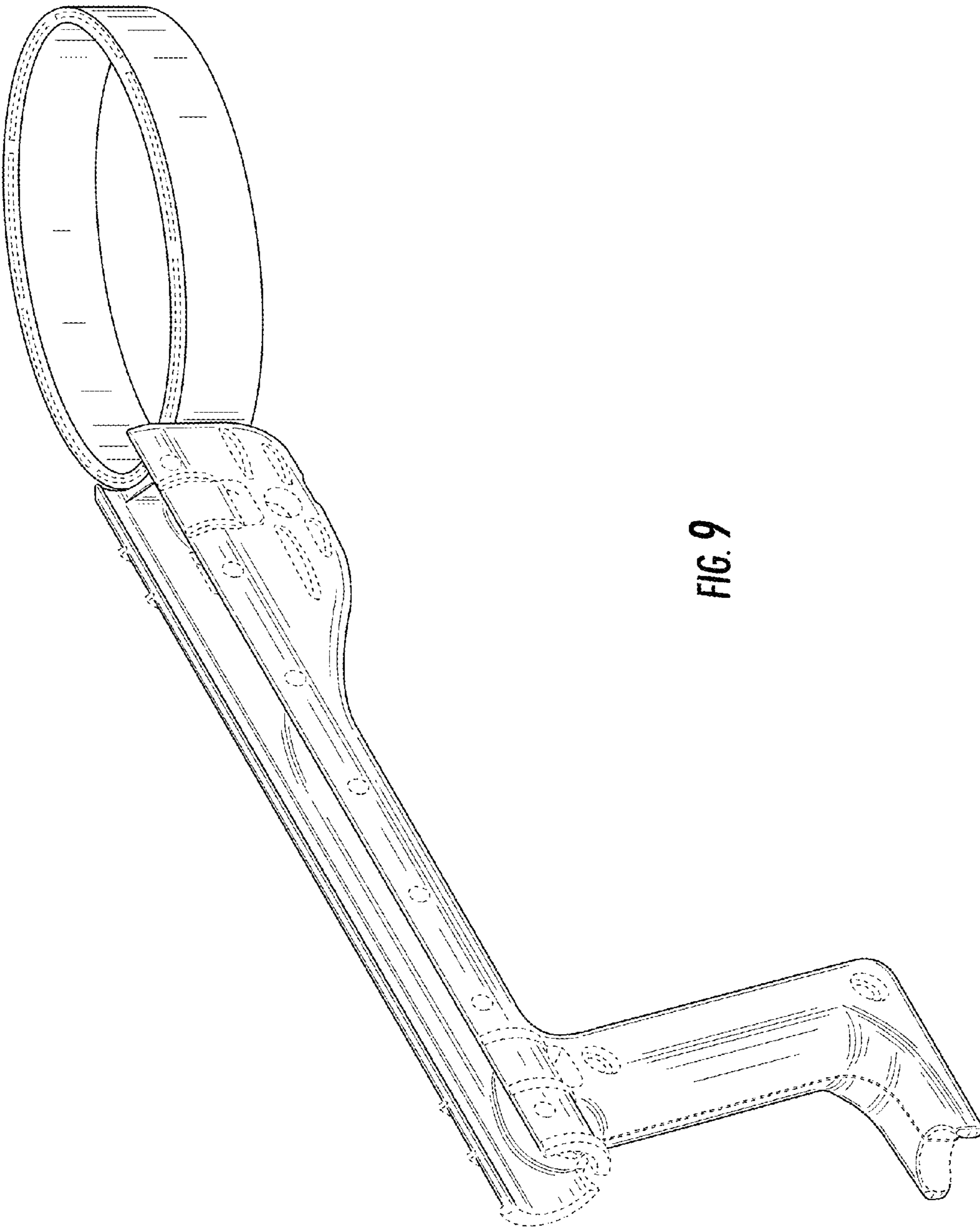


FIG. 9