



US00D690180S

(12) **United States Design Patent**  
**Del Rossa**

(10) **Patent No.:** **US D690,180 S**

(45) **Date of Patent:** **\*\* Sep. 24, 2013**

(54) **JIG FOR REPAIRING BROKEN MOUNTING STUDS**

(71) Applicant: **Jeffrey Del Rossa**, Pittsburgh, PA (US)

(72) Inventor: **Jeffrey Del Rossa**, Pittsburgh, PA (US)

(\*\*) Term: **14 Years**

(21) Appl. No.: **29/444,736**

(22) Filed: **Feb. 3, 2013**

(51) **LOC (9) Cl.** ..... **08-05**

(52) **U.S. Cl.**  
USPC ..... **D8/71; D15/140**

(58) **Field of Classification Search**  
USPC ..... D8/71, 101; D15/138, 139, 140,  
D15/141; 30/371-378; 74/89.15, 438-441,  
74/821-829; D6/328; D34/31; D28/73  
See application file for complete search history.

(56) **References Cited**

U.S. PATENT DOCUMENTS

4,168,730	A	*	9/1979	Keller	.....	144/371
D254,074	S		1/1980	Ringle		
D268,165	S	*	3/1983	Perry et al.	.....	D8/70
D272,038	S	*	1/1984	Dicke	.....	D8/71
D282,626	S	*	2/1986	Zelli	.....	D8/71
D287,179	S	*	12/1986	Kuykendall	.....	D34/31
D293,203	S	*	12/1987	Hertensteiner	.....	D8/354
D295,016	S	*	4/1988	Forrester	.....	D8/70
D328,698	S	*	8/1992	Worthington	.....	D8/71

D353,527	S	*	12/1994	Drake	.....	D8/71
D380,953	S	*	7/1997	Norgaard	.....	D8/71
D410,767	S	*	6/1999	Carroll	.....	D28/73
D426,127	S	*	6/2000	Boelling	.....	D8/71
D432,886	S	*	10/2000	Hembroff	.....	D8/74
D481,281	S	*	10/2003	Anderson	.....	D8/71
D554,163	S	*	10/2007	Krohmer et al.	.....	D15/140

\* cited by examiner

*Primary Examiner* — Philip S Hyder

*Assistant Examiner* — Darlington Ly

(74) *Attorney, Agent, or Firm* — Carl A. Ronald; Ronald Law Group, LLC

(57) **CLAIM**

The ornamental design for a jig for repairing broken mounting studs, as shown and described.

**DESCRIPTION**

FIG. 1 is a top perspective view of a jig showing my new design;

FIG. 2 is a top plan view thereof;

FIG. 3 is a side elevation view thereof;

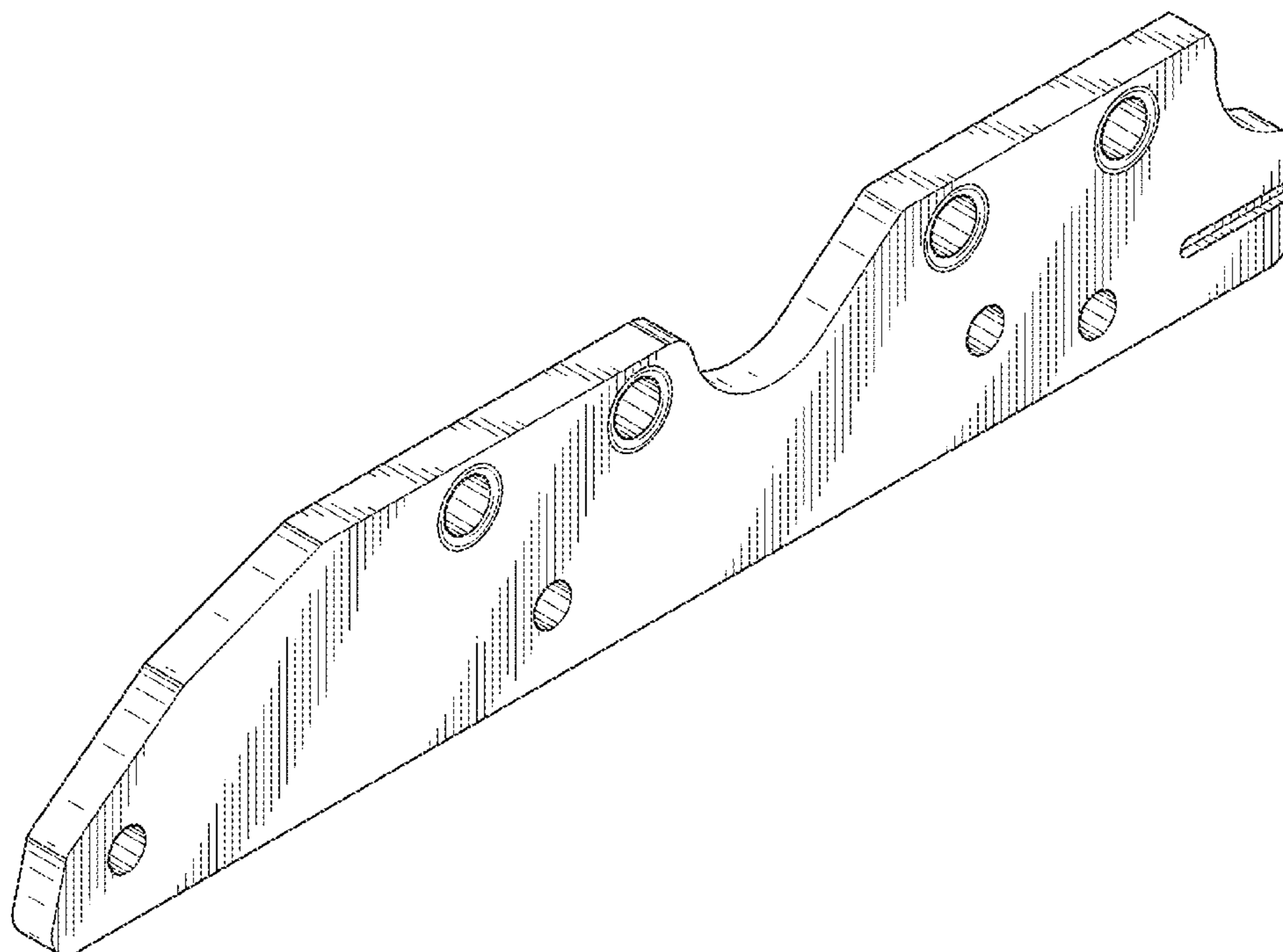
FIG. 4 is an end elevation view thereof;

FIG. 5 is an opposite side elevation view thereof;

FIG. 6 is an opposite end elevation view thereof; and,

FIG. 7 is a bottom plan view thereof.

**1 Claim, 3 Drawing Sheets**



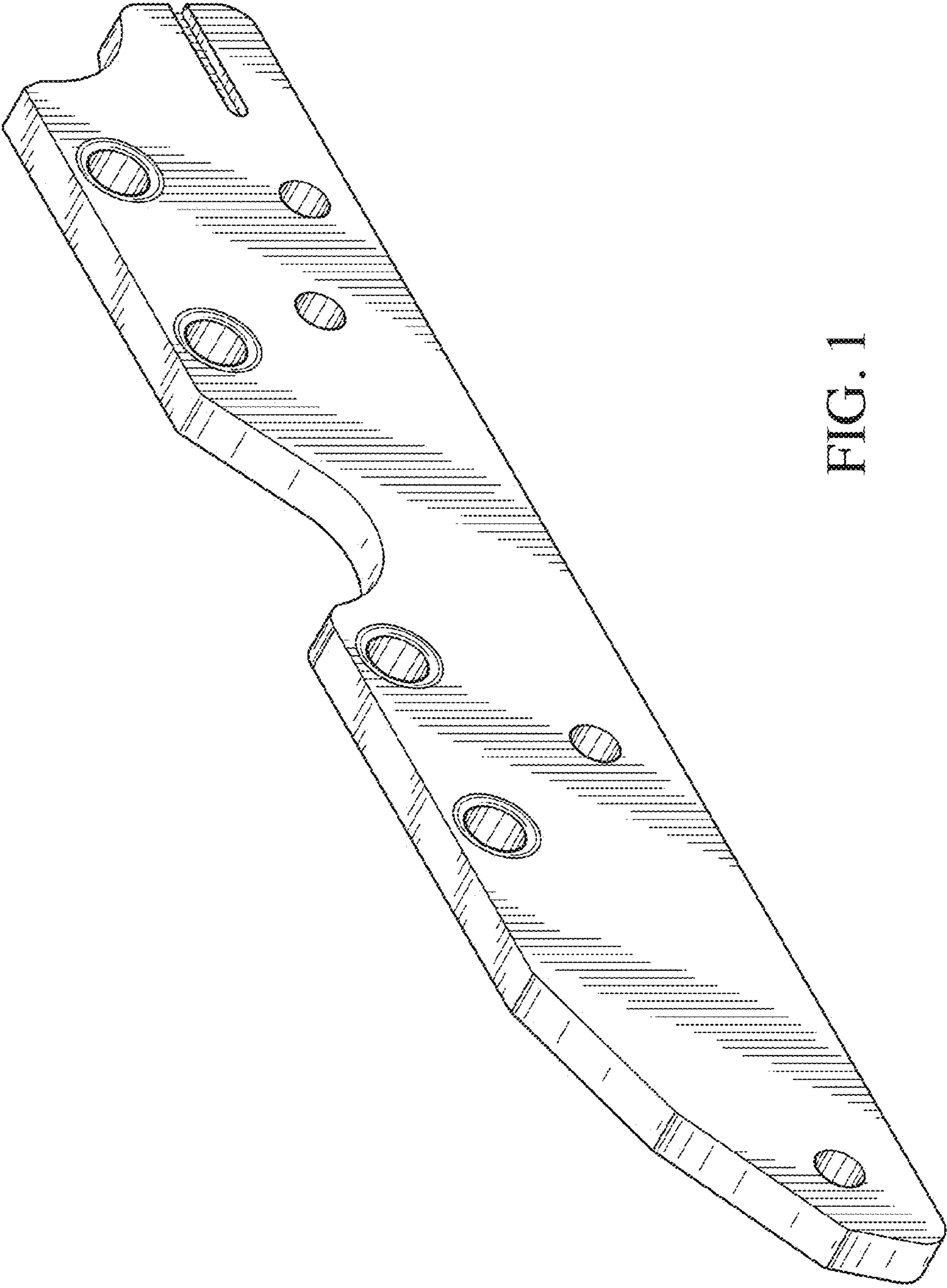


FIG. 1



FIG. 2

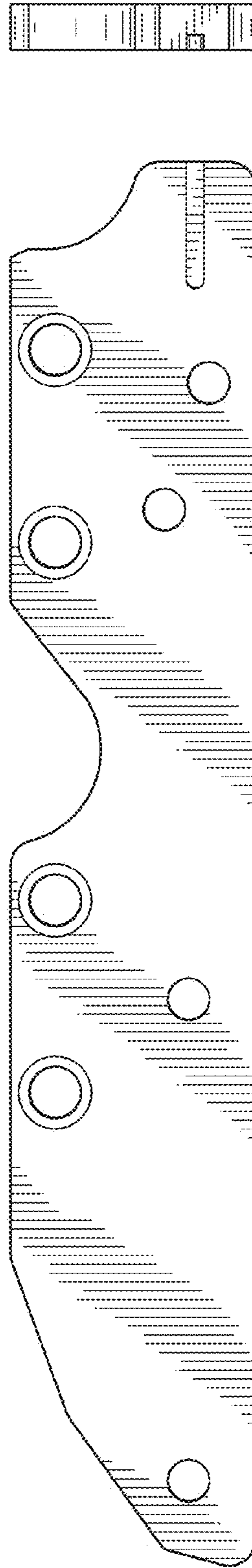


FIG. 3

FIG. 4



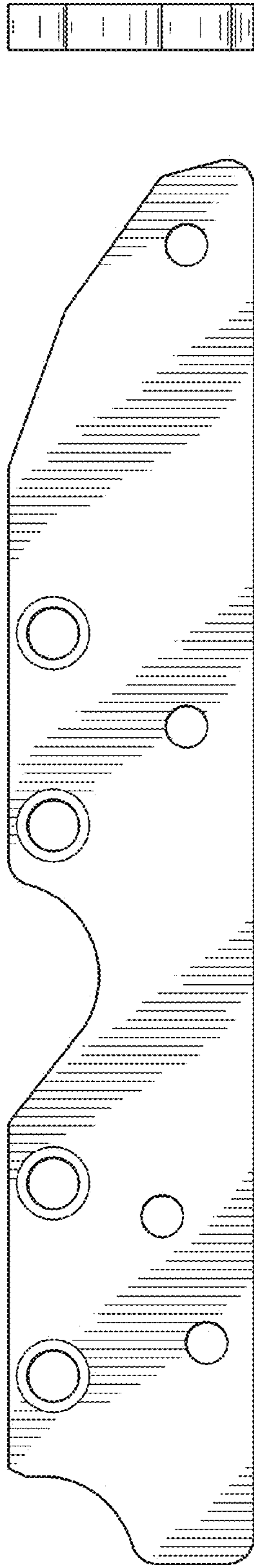


FIG. 5

FIG. 6



FIG. 7