

US00D690179S

(12) **United States Design Patent**
Orwin

(10) **Patent No.:** **US D690,179 S**
(45) **Date of Patent:** **** Sep. 24, 2013**

(54) **GUIDE**

7,020,978 B1 * 4/2006 Nelson 33/760
7,484,313 B1 * 2/2009 Ogilvie 33/770
D630,954 S * 1/2011 Giles D10/65

(76) Inventor: **Michael Orwin**, London (GB)

(**) Term: **14 Years**

FOREIGN PATENT DOCUMENTS

DE 3415317 A * 4/1984
JP 2006088358 A * 4/2006

(21) Appl. No.: **29/403,383**

* cited by examiner

(22) Filed: **Oct. 5, 2011**

(51) **LOC (9) Cl.** **08-05**

(52) **U.S. Cl.**
USPC **D8/71; D10/62**

(58) **Field of Classification Search**
USPC D8/71; D10/62, 65, 72; 33/451,
33/460, 470, 474, 476, 480; 242/129.5, 157 R,
242/899

Primary Examiner — Philip S Hyder
Assistant Examiner — Darlington Ly
(74) *Attorney, Agent, or Firm* — Leason Ellis LLP

(57) **CLAIM**
The ornamental design for a guide, as shown and described.

See application file for complete search history.

DESCRIPTION

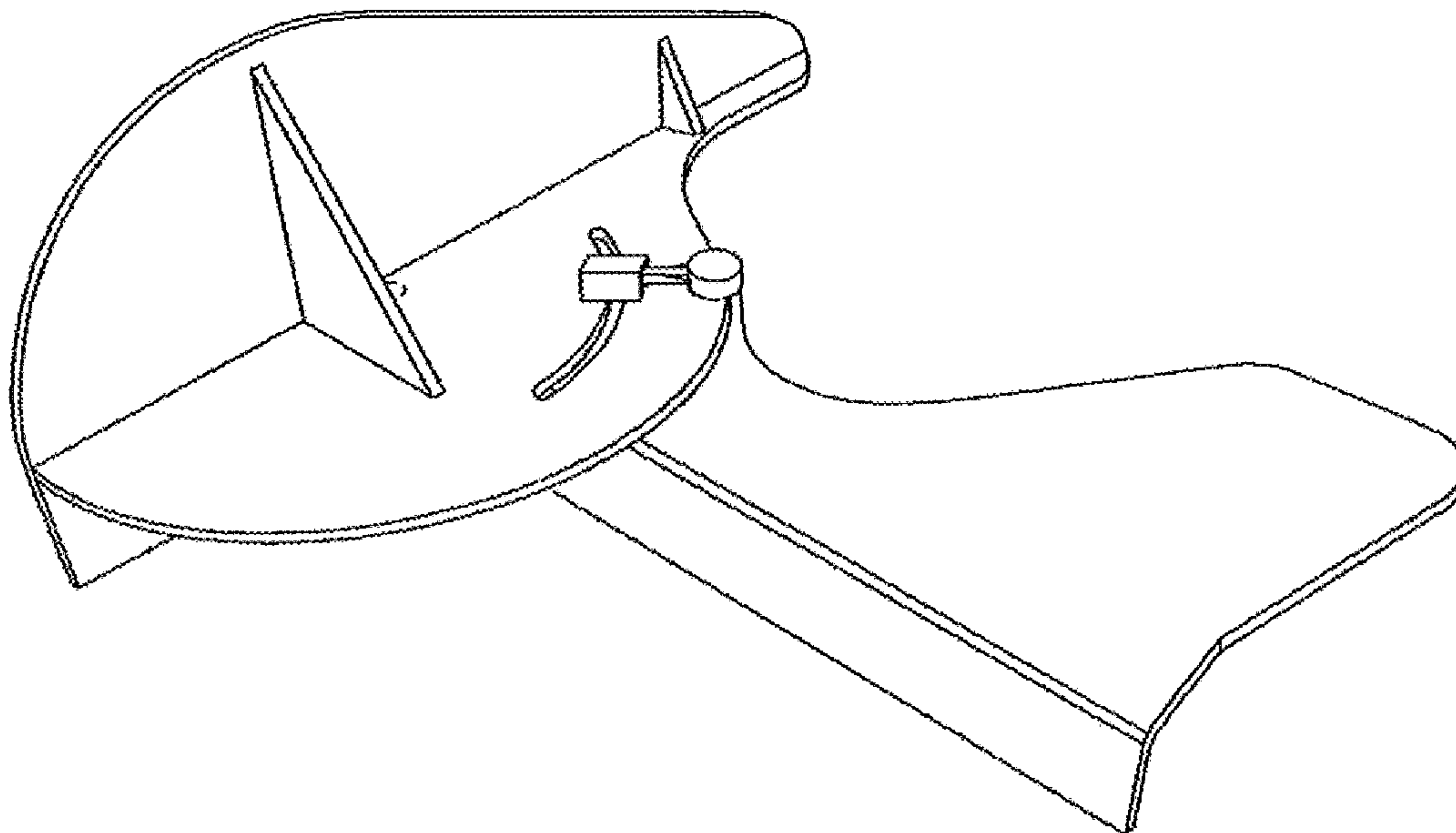
(56) **References Cited**

U.S. PATENT DOCUMENTS

D190,195 S * 4/1961 Graham D10/62
D234,902 S * 4/1975 Marsh et al. D15/133
4,608,898 A * 9/1986 Volk 83/745
D299,437 S * 1/1989 Kull D10/62
5,113,596 A * 5/1992 Meyers 33/770
5,390,425 A * 2/1995 Gilberts 33/764
5,509,338 A * 4/1996 Ekker 83/745
5,782,007 A * 7/1998 Harris 33/768
D402,214 S * 12/1998 Logwood D10/65
D510,710 S * 10/2005 Brass et al. D10/62

FIG. 1 is a side overhead perspective view of a guide showing my new design;
FIG. 2 is the opposing side overhead perspective view thereof;
FIG. 3 is a bottom perspective view thereof;
FIG. 4 is a top plan view thereof;
FIG. 5 is a side elevation view thereof; and,
FIG. 6 is a side elevation view thereof.
The broken lines shown in the drawings illustrate features of the article in which the design is embodied that form no part of the claim.

1 Claim, 4 Drawing Sheets



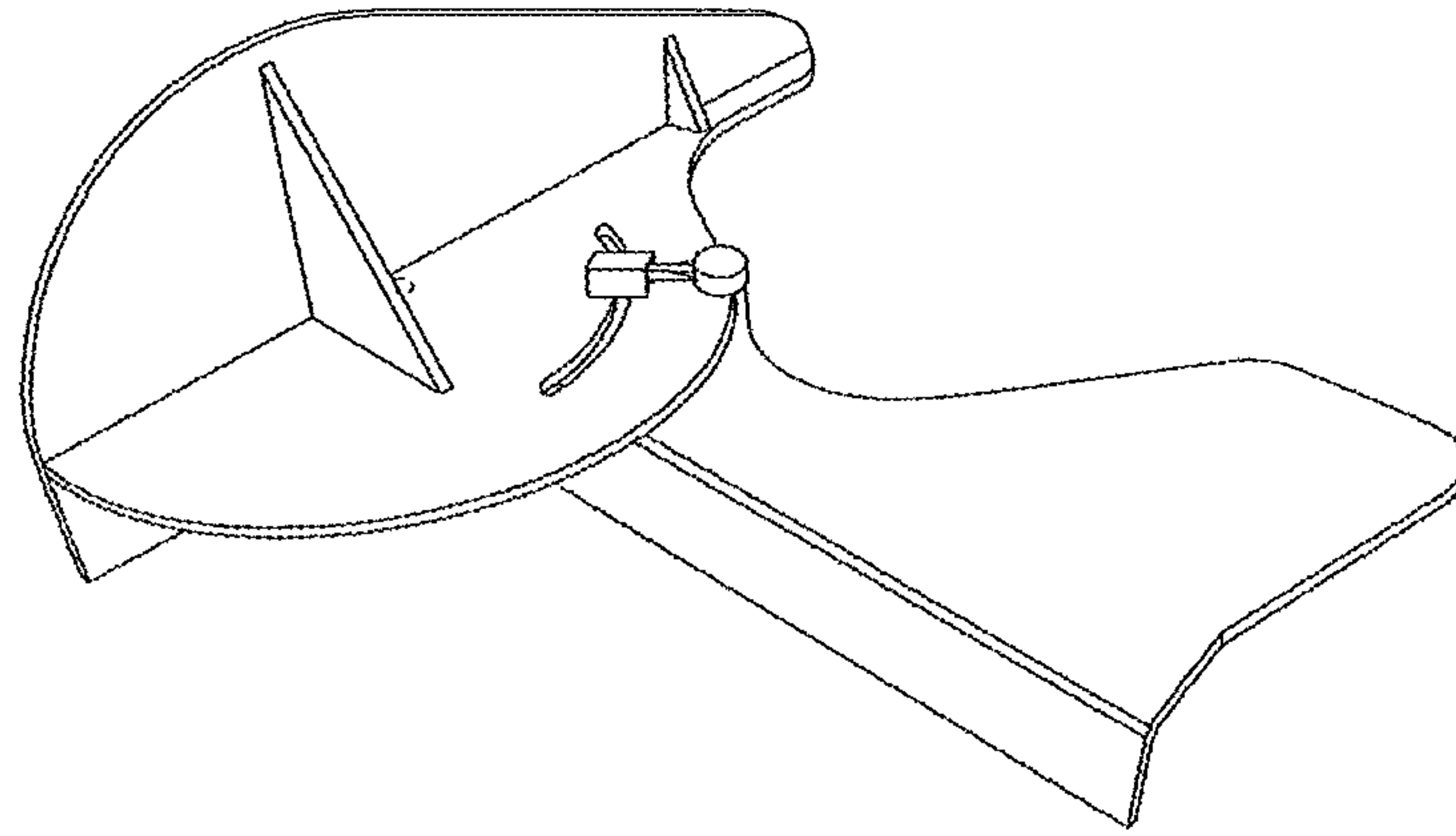


Fig. 1

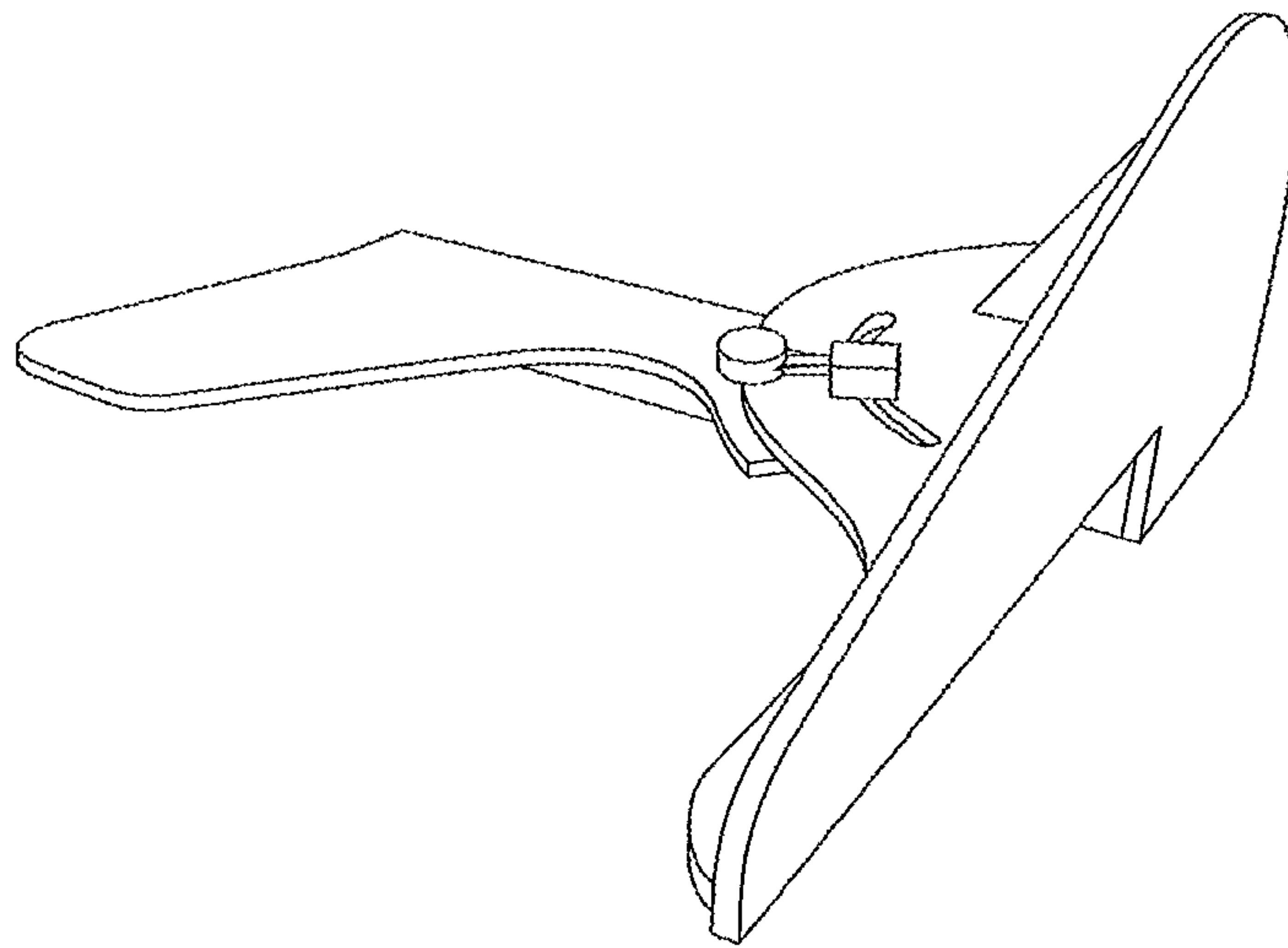


Fig. 2

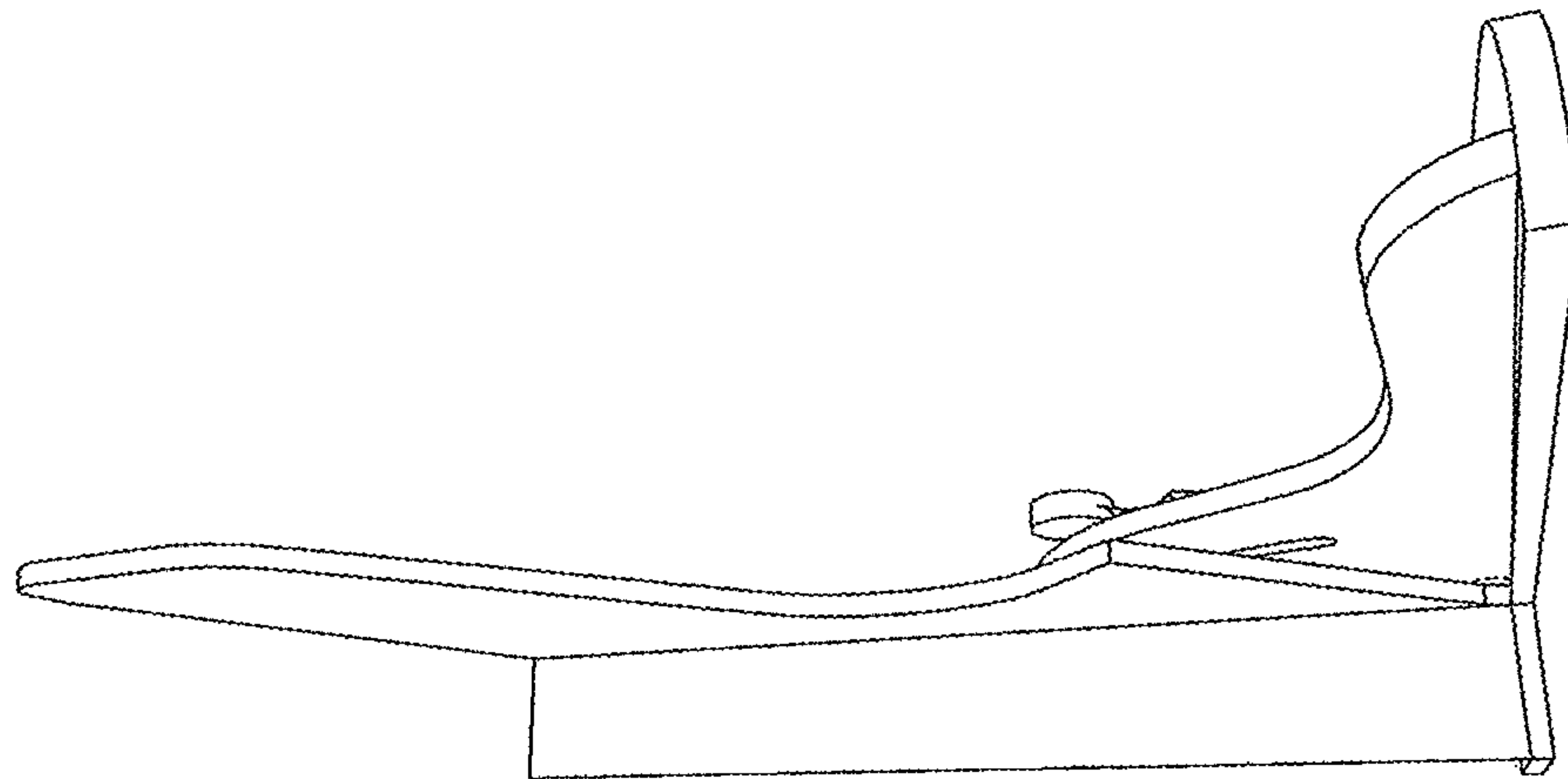


Fig. 3

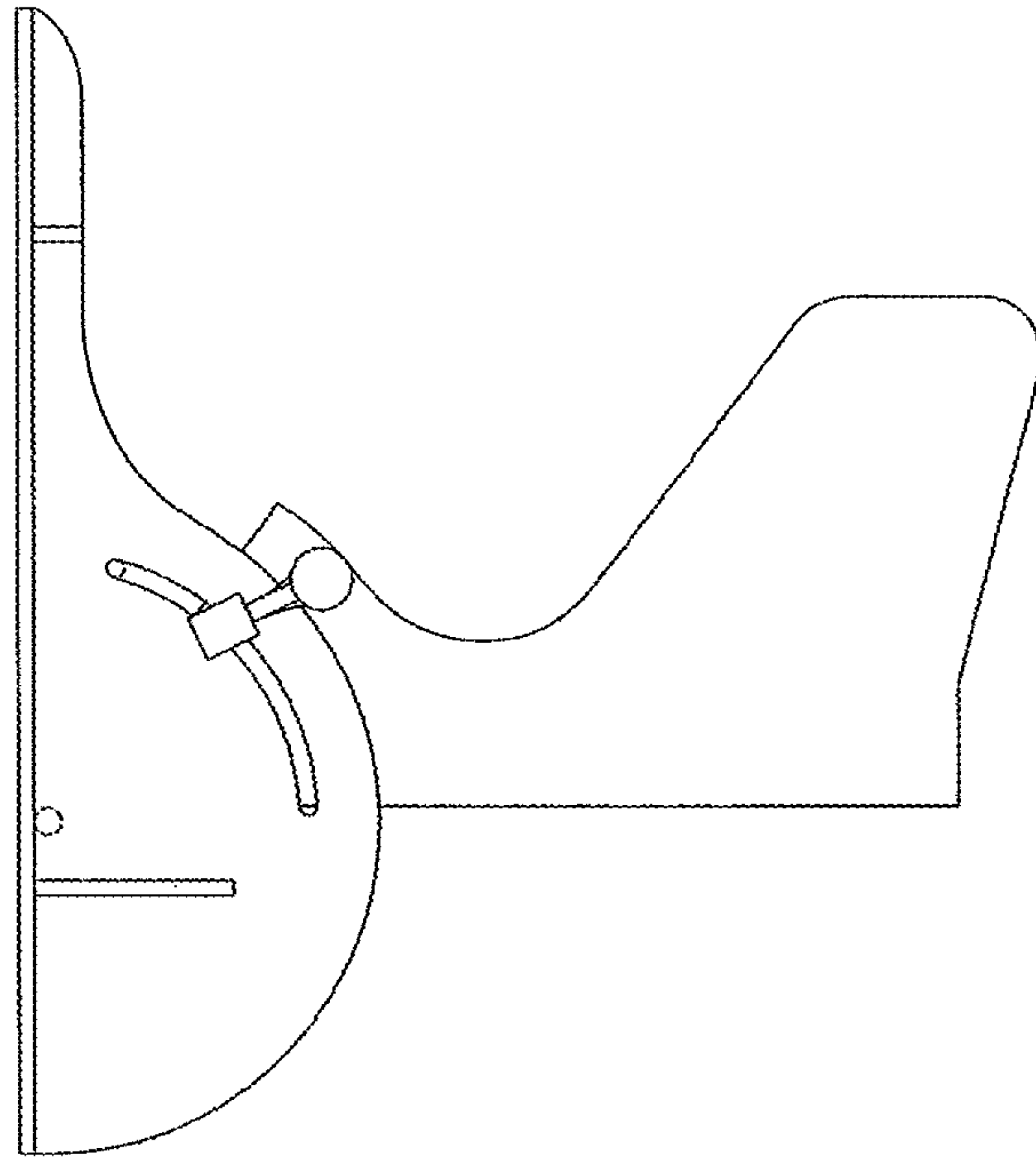


Fig. 4

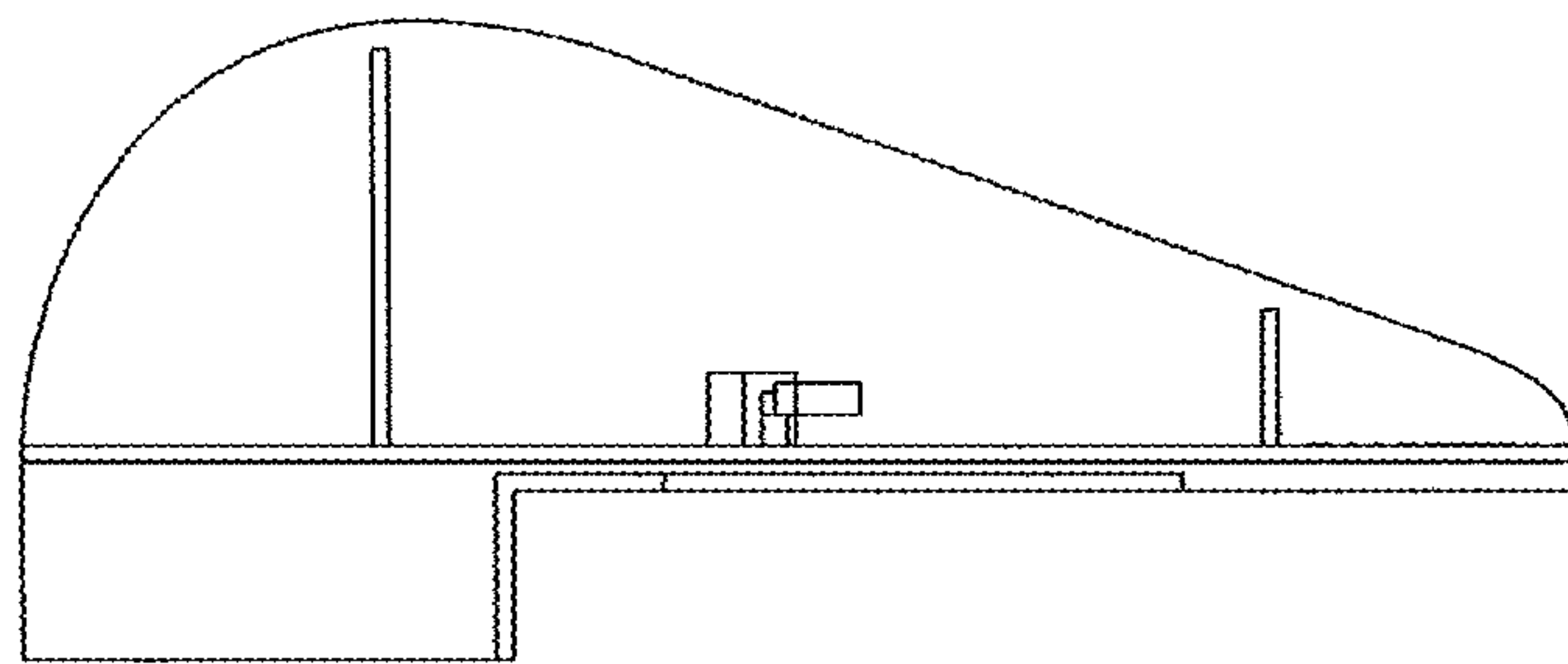


Fig. 5

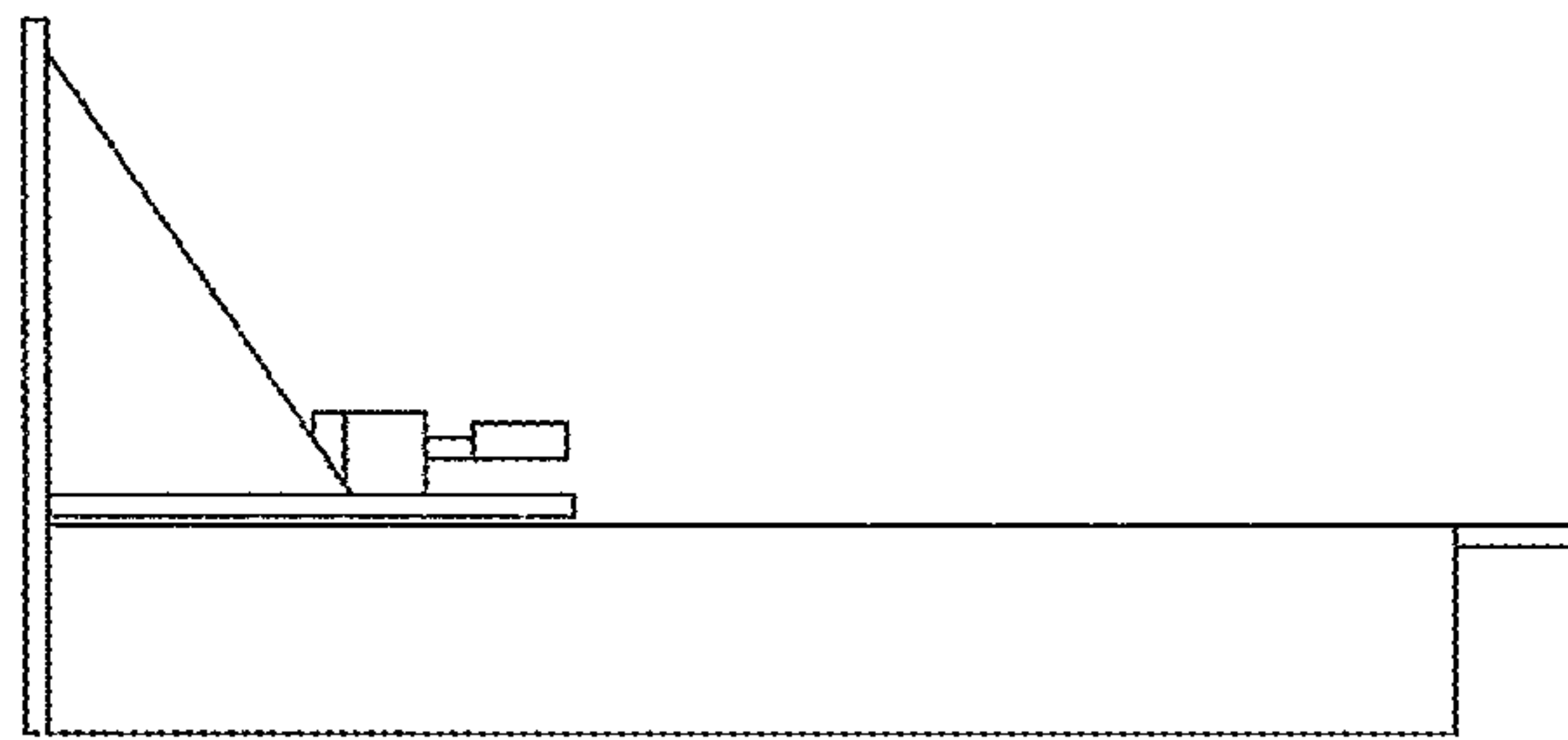


Fig. 6