

US00D690178S

(12) **United States Design Patent**  
**Orwin**

(10) **Patent No.:** **US D690,178 S**

(45) **Date of Patent:** **\*\* Sep. 24, 2013**

(54) **GUIDE**

7,020,978 B1 \* 4/2006 Nelson ..... 33/760  
7,484,313 B1 \* 2/2009 Ogilvie ..... 33/770  
D630,954 S \* 1/2011 Giles ..... D10/65

(76) Inventor: **Michael Orwin**, London (GB)

(\*\*) Term: **14 Years**

**FOREIGN PATENT DOCUMENTS**

DE 3415317 A \* 4/1984  
JP 2006088358 A \* 4/2006

(21) Appl. No.: **29/403,377**

\* cited by examiner

(22) Filed: **Oct. 5, 2011**

(51) **LOC (9) Cl.** ..... **08-05**

*Primary Examiner* — Philip S Hyder

(52) **U.S. Cl.**

*Assistant Examiner* — Darlington Ly

USPC ..... **D8/71**; D10/62

(74) *Attorney, Agent, or Firm* — Leason Ellis LLP

(58) **Field of Classification Search**

USPC ..... D8/71; D10/62, 65, 72; 33/451,  
33/460, 470, 474, 476, 480; 242/129.5, 157 R,  
242/899

(57) **CLAIM**

The ornamental design for a guide, as shown and described.

See application file for complete search history.

**DESCRIPTION**

(56) **References Cited**

**U.S. PATENT DOCUMENTS**

D190,195 S \* 4/1961 Graham ..... D10/62  
D234,902 S \* 4/1975 Marsh et al. .... D15/133  
4,608,898 A \* 9/1986 Volk ..... 83/745  
D299,437 S \* 1/1989 Kull ..... D10/62  
5,113,596 A \* 5/1992 Meyers ..... 33/770  
5,390,425 A \* 2/1995 Gilberts ..... 33/764  
5,509,338 A \* 4/1996 Ekker ..... 83/745  
5,782,007 A \* 7/1998 Harris ..... 33/768  
D402,214 S \* 12/1998 Logwood ..... D10/65  
D510,710 S \* 10/2005 Brass et al. .... D10/62

FIG. 1 is a side overhead perspective view of a guide showing my new design;

FIG. 2 is the opposing side overhead perspective view thereof;

FIG. 3 is an alternate overhead perspective view thereof;

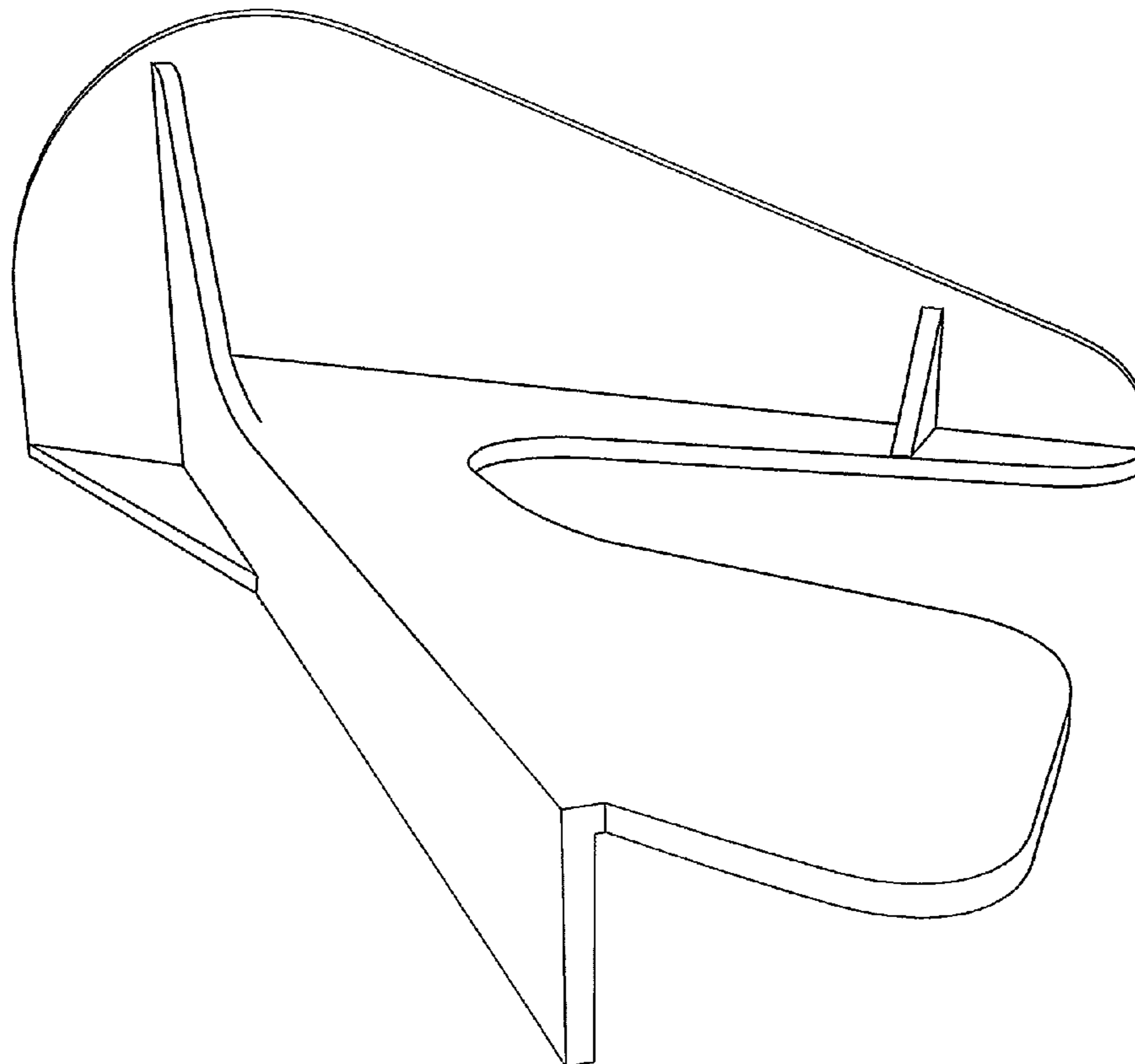
FIG. 4 is a side elevation view thereof;

FIG. 5 is an opposing side elevation view thereof;

FIG. 6 is a top plan view thereof; and,

FIG. 7 is an end elevation view thereof.

**1 Claim, 5 Drawing Sheets**



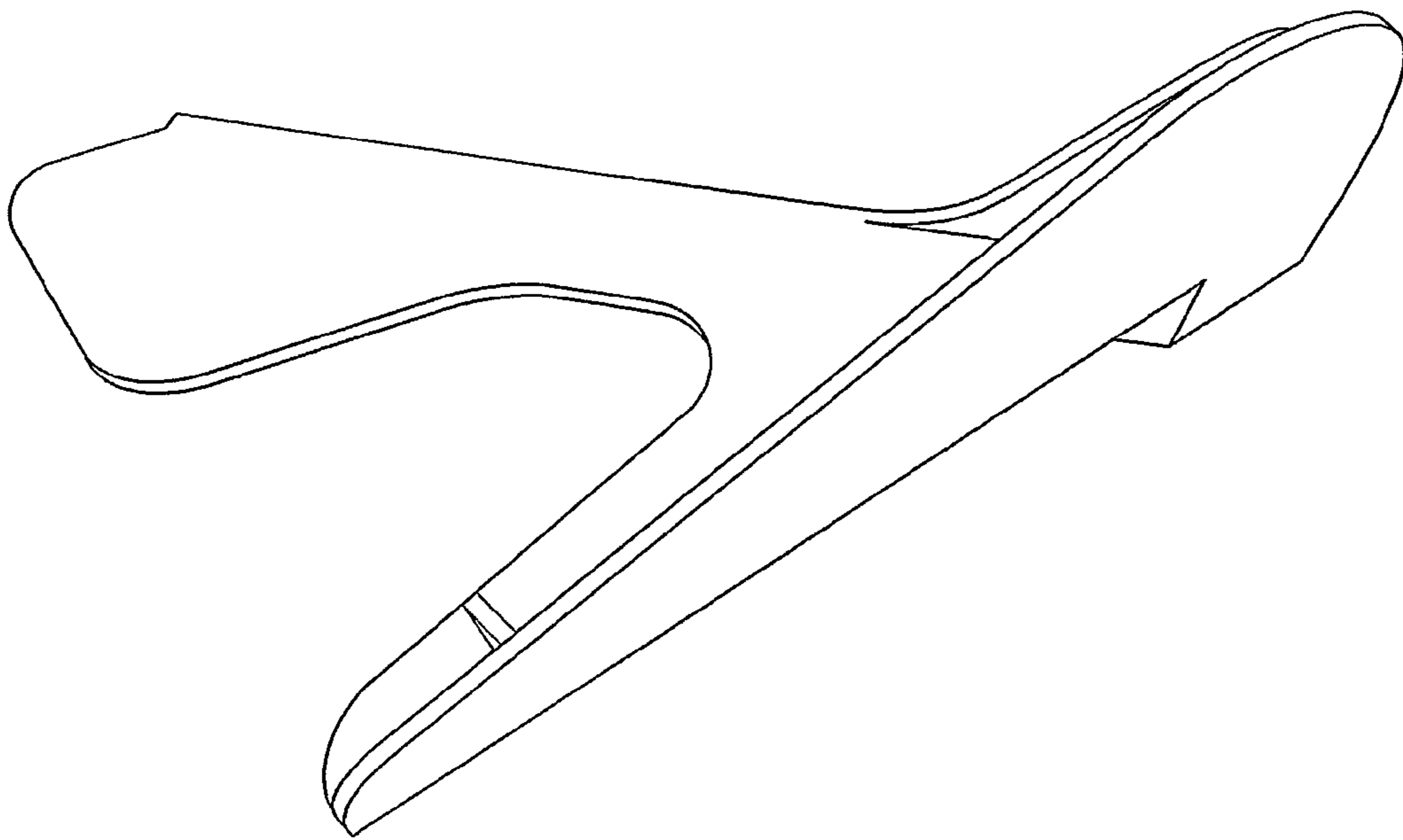


Fig. 1

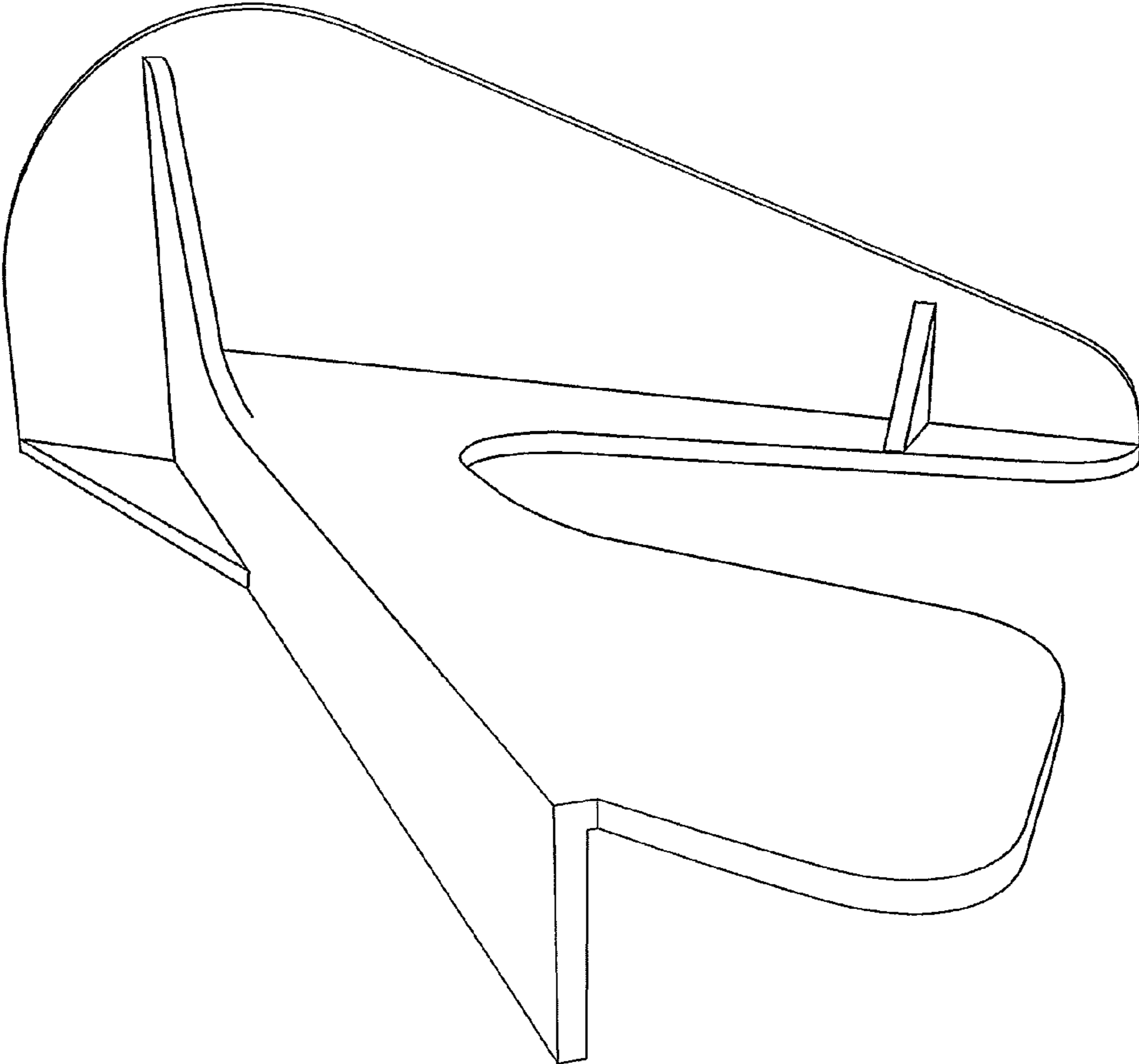


Fig. 2

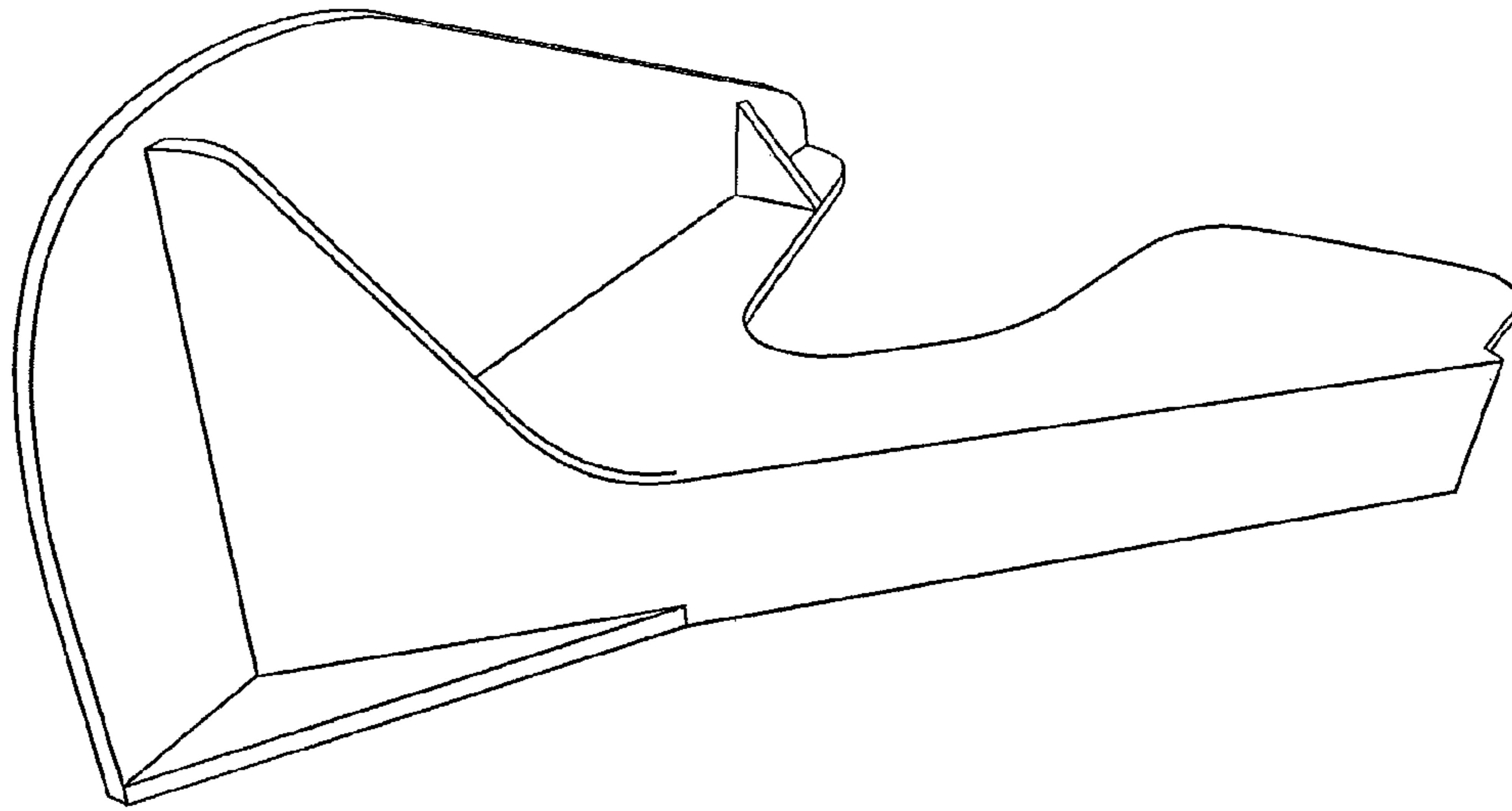


Fig. 3

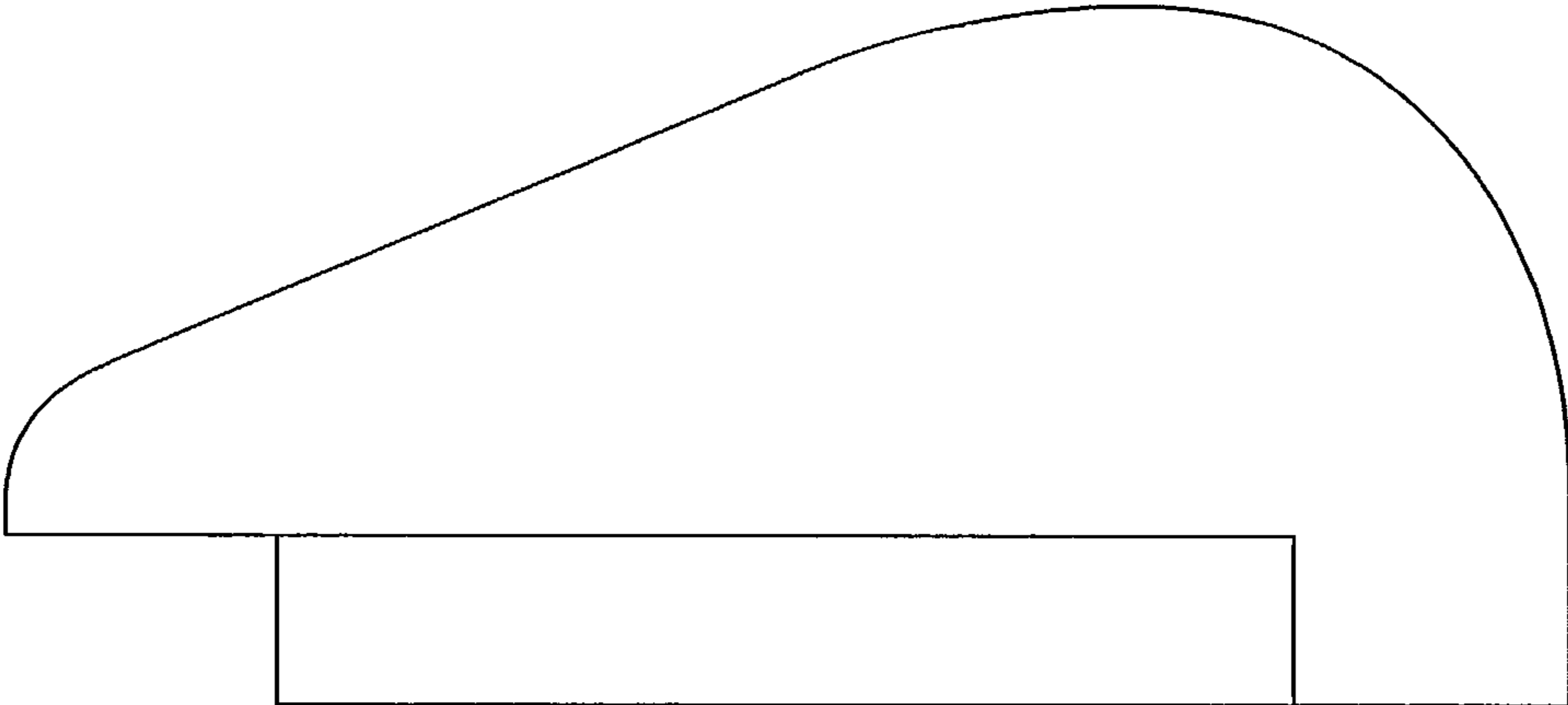


Fig. 4

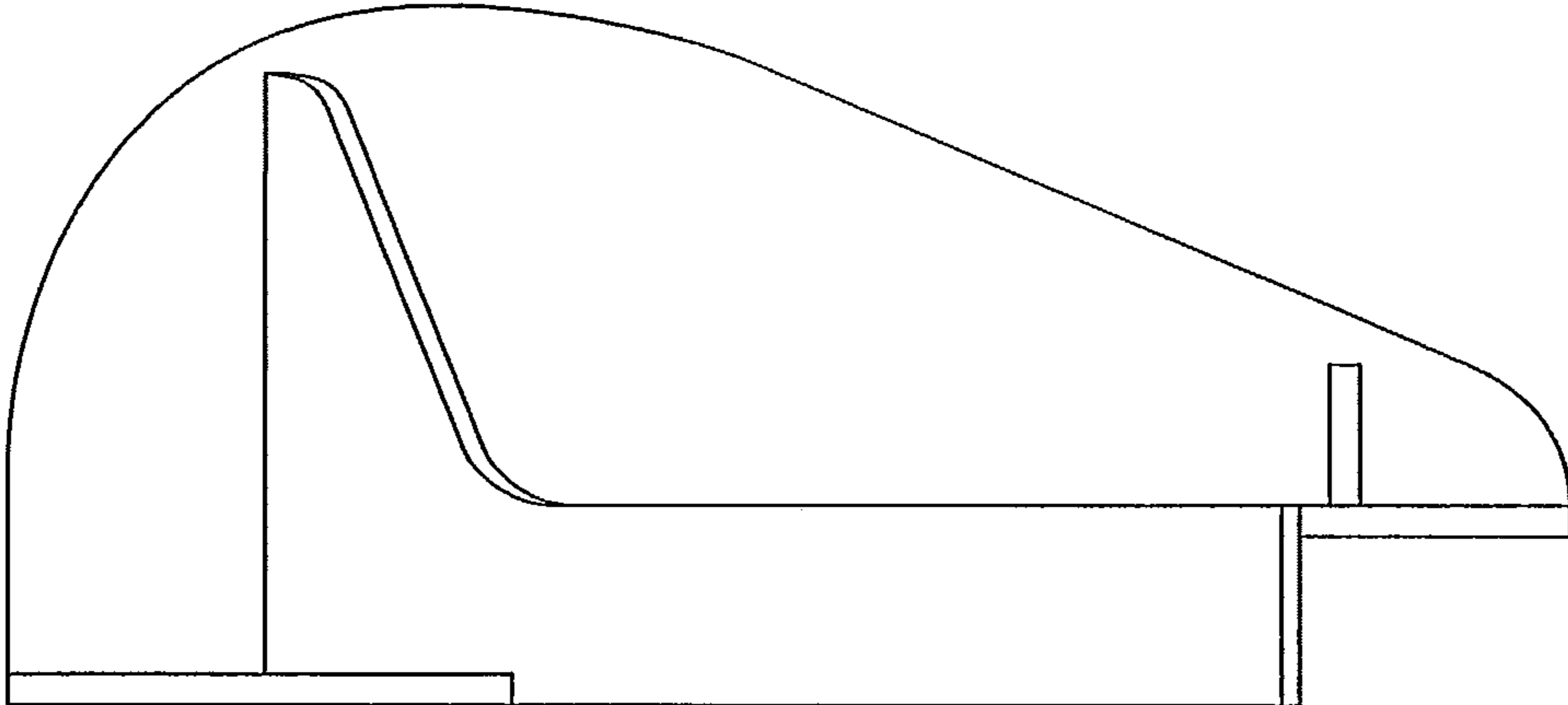


Fig. 5

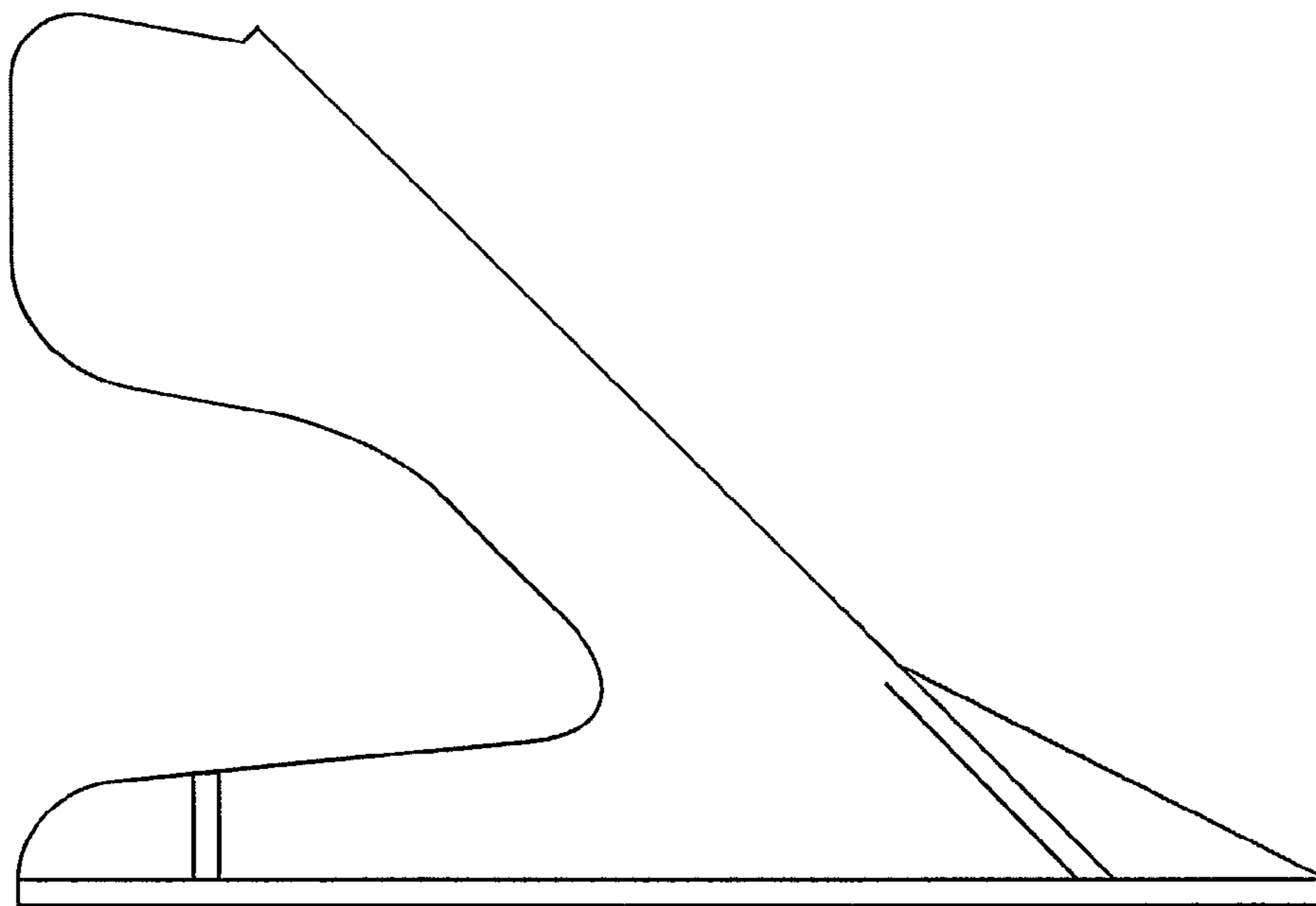


Fig. 6

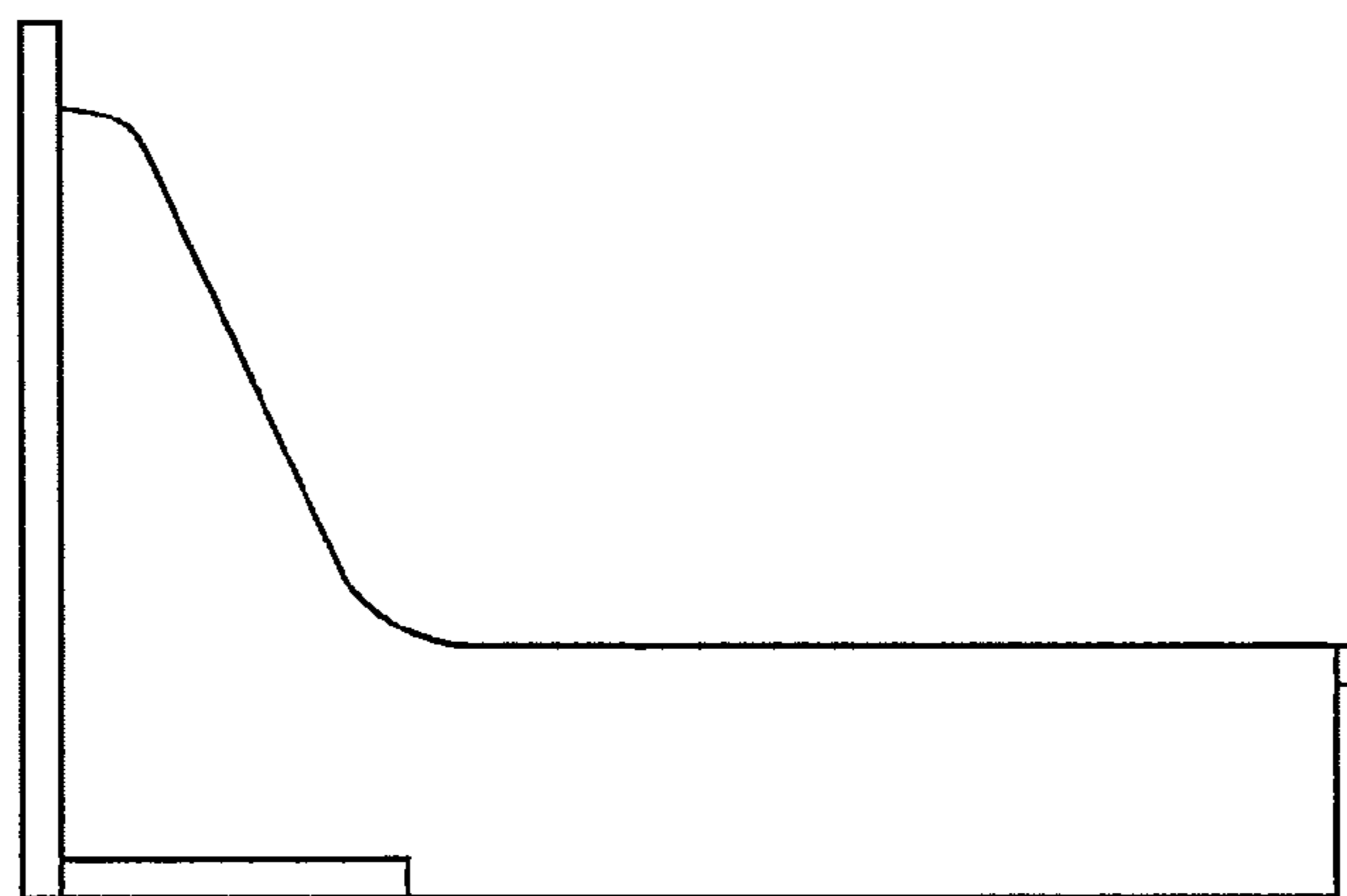


Fig. 7