



US00D690176S

(12) **United States Design Patent**  
**Ronan**

(10) **Patent No.:** **US D690,176 S**

(45) **Date of Patent:** **\*\* Sep. 24, 2013**

(54) **PVC CUTTER**

(76) Inventor: **John S. Ronan**, Temecula, CA (US)

(\*\*) Term: **14 Years**

(21) Appl. No.: **29/418,816**

(22) Filed: **Apr. 21, 2012**

(51) **LOC (9) Cl.** ..... **08-05**

(52) **U.S. Cl.**  
USPC ..... **D8/52**

(58) **Field of Classification Search**  
USPC ..... D8/51, 52, 98, 107, 4, 5; 30/287,  
30/257, 251-254, 191-192, 261-262  
See application file for complete search history.

D467,476	S	*	12/2002	Lai et al.	.....	D8/5
D609,541	S	*	2/2010	Hutchfield	.....	D8/52
D625,978	S	*	10/2010	Zeng	.....	D8/52
D628,031	S	*	11/2010	Stokes et al.	.....	D8/5
7,886,446	B2	*	2/2011	Yu Chen	.....	30/175
D648,197	S	*	11/2011	Lin	.....	D8/52
D652,276	S	*	1/2012	Good	.....	D8/52
2008/0141538	A1	*	6/2008	Nandkumar et al.	.....	30/92

\* cited by examiner

*Primary Examiner* — Sheryl Lane

(74) *Attorney, Agent, or Firm* — Loyal McKinley Hanson

(57) **CLAIM**

I claim the ornamental design for a PVC cutter, as shown and described.

**DESCRIPTION**

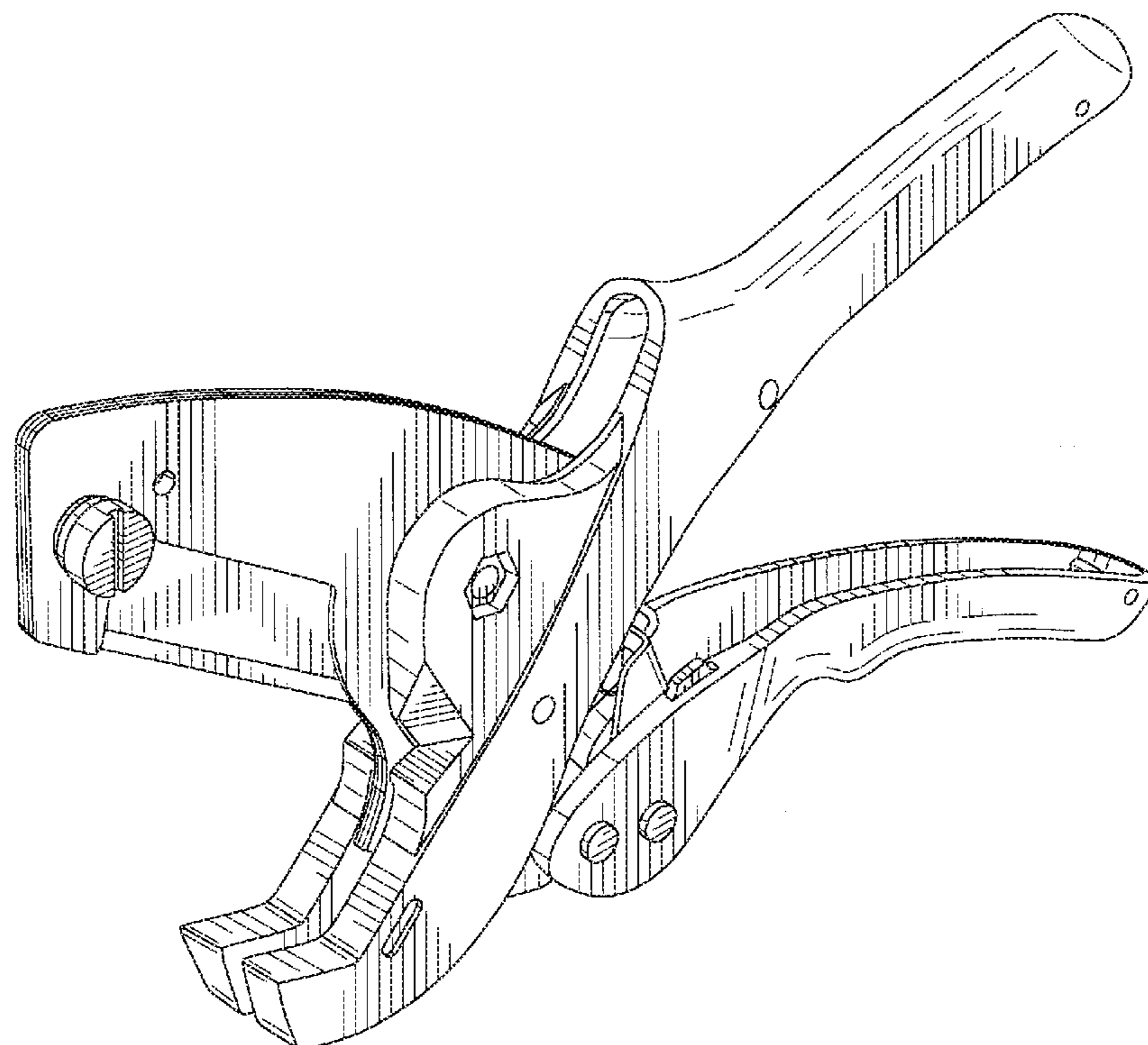
FIG. 1 of the drawings is a perspective view showing the front, left side, and top of a PVC cutter embodying the design of my invention;  
FIG. 2 is a left side elevation view of the PVC cutter;  
FIG. 3 is a front elevation view;  
FIG. 4 is a top plan view;  
FIG. 5 is a back elevation view;  
FIG. 6 is a right side elevation view; and,  
FIG. 7 is a bottom view.

**1 Claim, 3 Drawing Sheets**

(56) **References Cited**

**U.S. PATENT DOCUMENTS**

4,674,184	A	*	6/1987	Anderson	.....	30/92
D398,499	S	*	9/1998	Ronan	.....	D8/52
D399,398	S	*	10/1998	Neyton	.....	D8/52
D424,899	S	*	5/2000	Jaime	.....	D8/52
D427,036	S	*	6/2000	Ronan	.....	D8/52
D455,329	S	*	4/2002	Renner	.....	D8/98
6,370,780	B1	*	4/2002	Robertson et al.	.....	30/261
D457,791	S	*	5/2002	Clivio	.....	D8/5
D461,108	S	*	8/2002	Herzog et al.	.....	D8/52
D464,539	S	*	10/2002	Richwine et al.	.....	D8/5
D464,541	S	*	10/2002	Richwine et al.	.....	D8/5



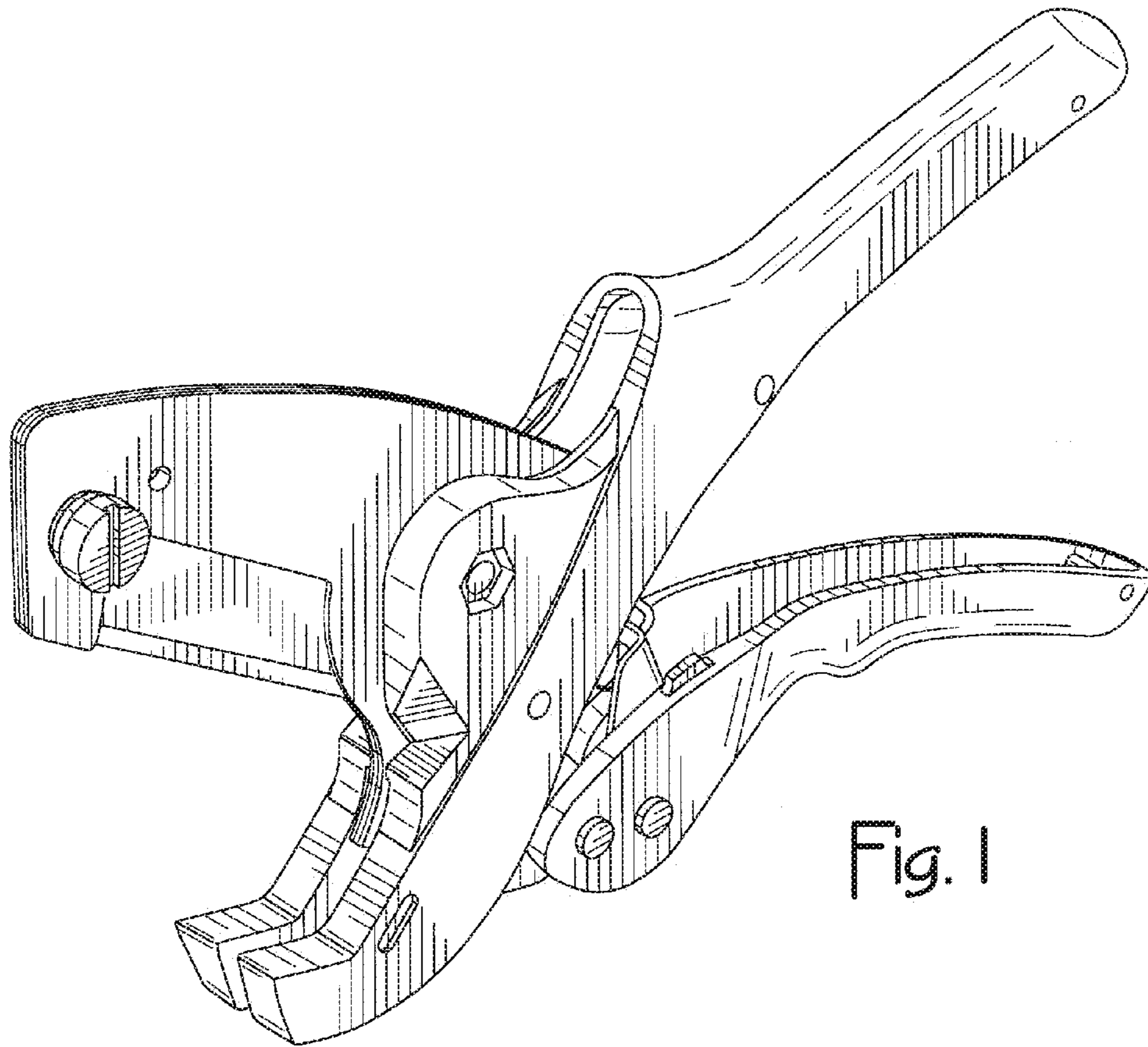


Fig. 1

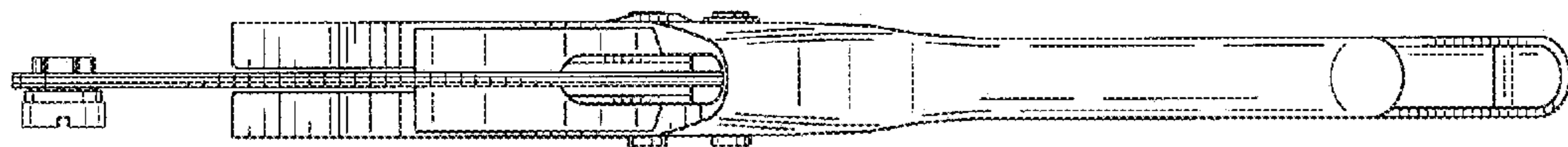


Fig. 4

Fig. 2

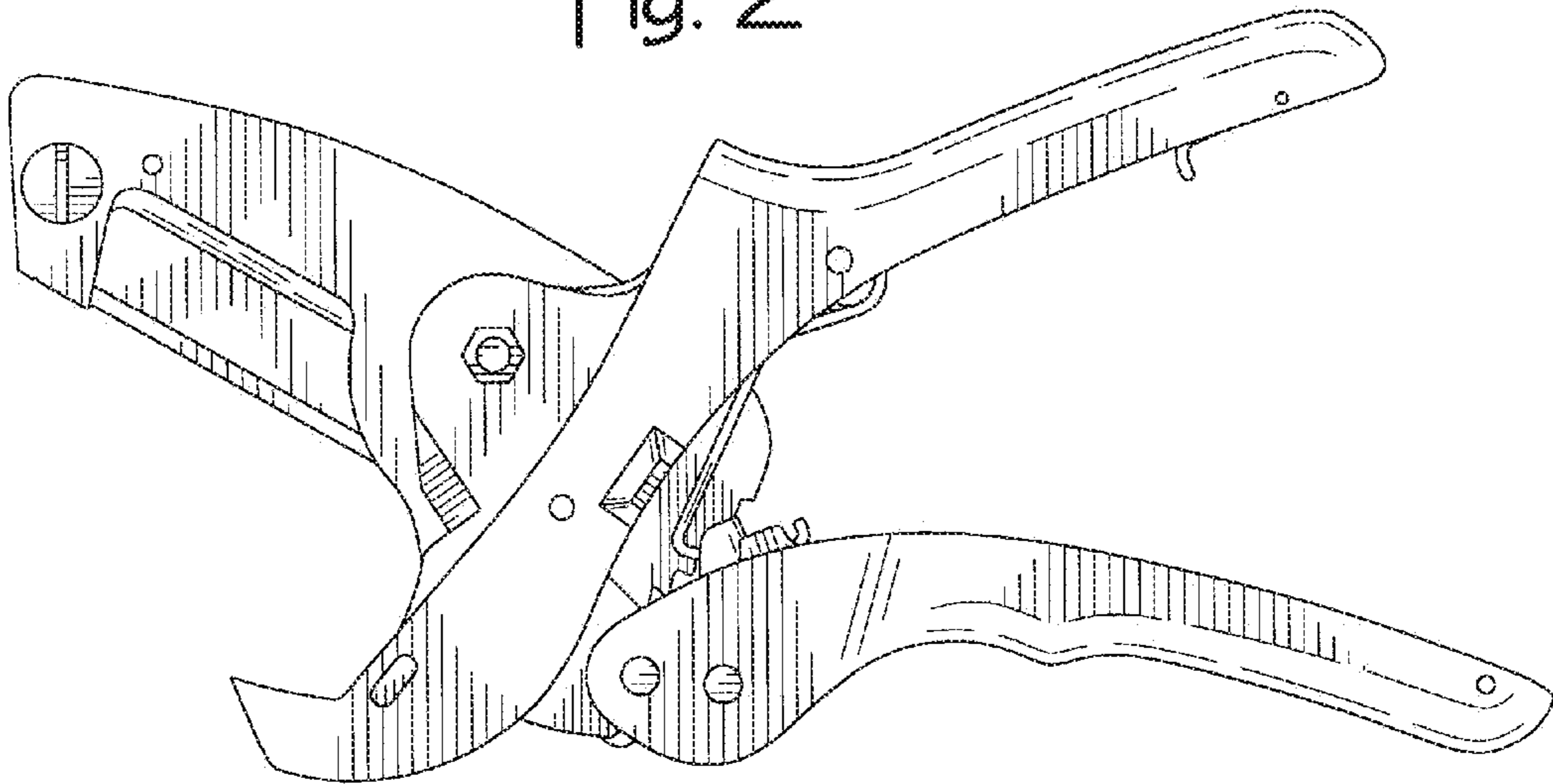


Fig. 3

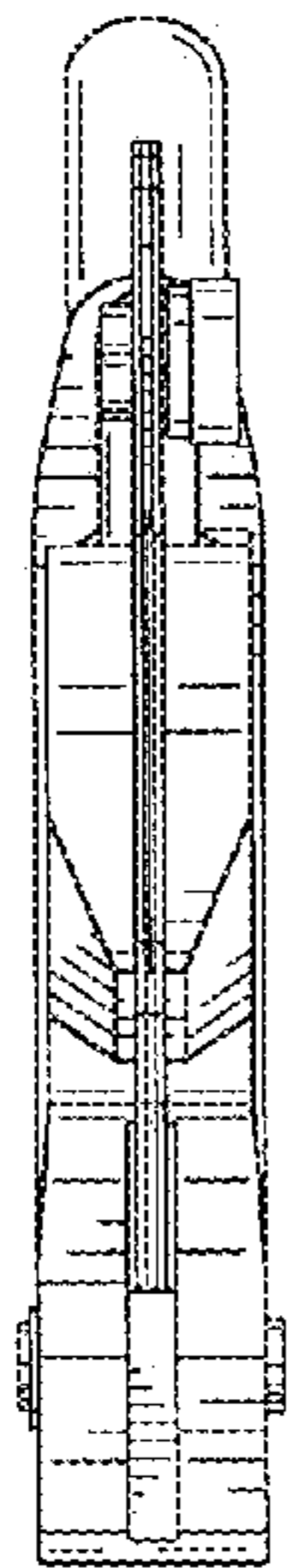
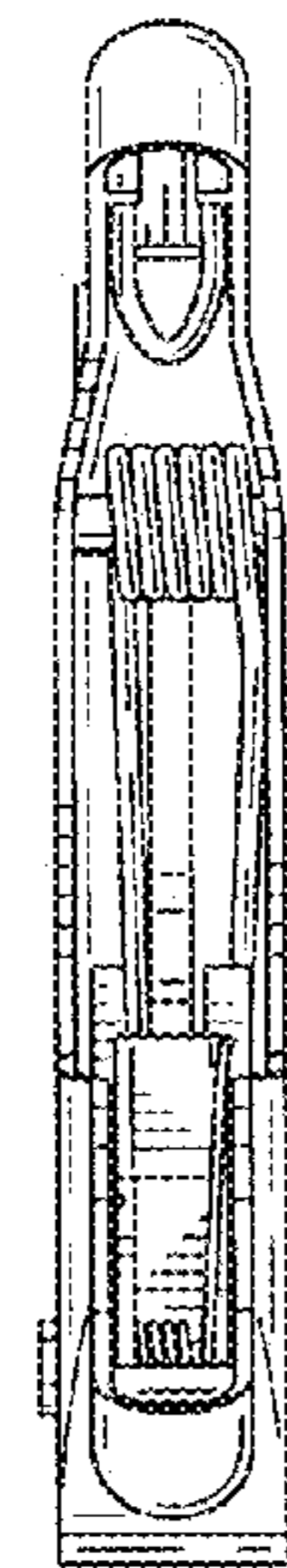


Fig. 5



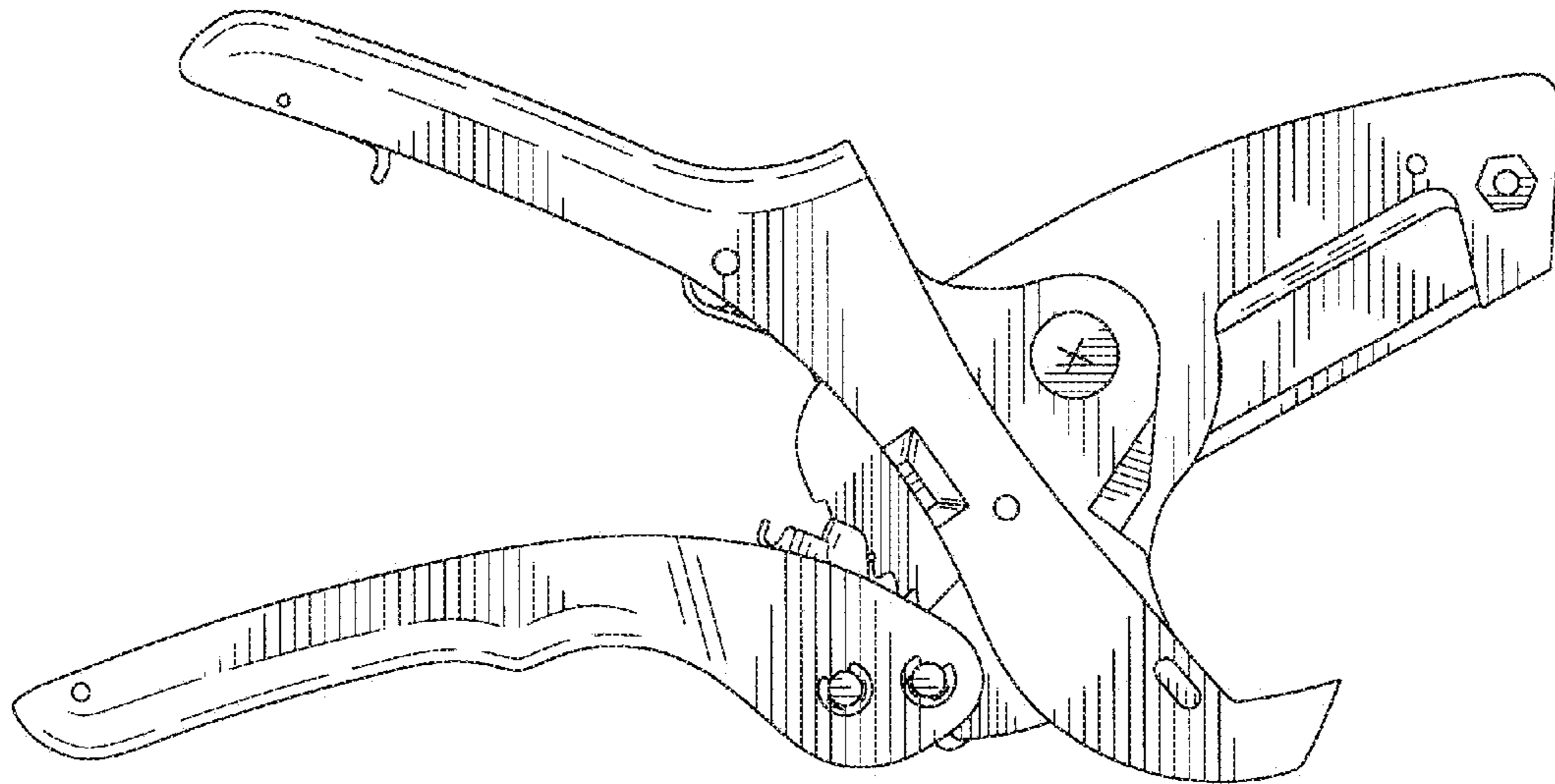


Fig. 6

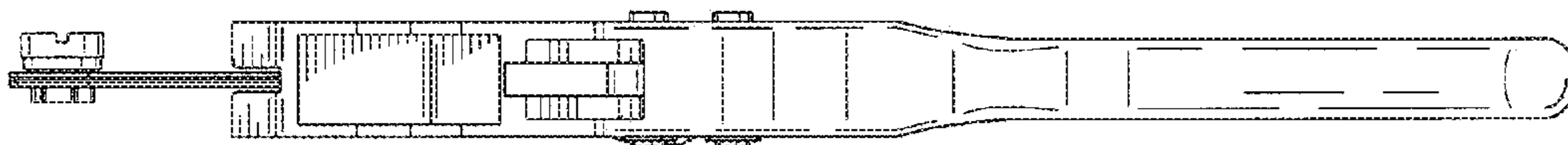


Fig. 7